

US00D503585S

(12) **United States Design Patent**
Tetreault et al.

(10) **Patent No.:** **US D503,585 S**
(45) **Date of Patent:** **** Apr. 5, 2005**

(54) **HANDLE**

D447,383 S * 9/2001 Rae D7/395
D458,801 S * 6/2002 Coudurier D7/395

(75) Inventors: **Joel Tetreault**, Perrysburg, OH (US);
Jacob B. King, Perrysburg, OH (US)

(73) Assignee: **Calphalon Corporation**, Freeport, IL (US)

(**) Term: **14 Years**

(21) Appl. No.: **29/183,205**

(22) Filed: **Jun. 10, 2003**

(51) **LOC (7) Cl.** **07-02**

(52) **U.S. Cl.** **D7/395**

(58) **Field of Search** D7/393, 395, 401.2,
D7/354-361; D8/107; 16/110.1, 430, 431,
436; 220/573.1-573.5, 912, 752, 753, 757,
759, 769, 771

(56) **References Cited**

U.S. PATENT DOCUMENTS

- D140,048 S * 1/1945 Behl D7/340
- 4,413,767 A * 11/1983 Hellinger D7/393
- D407,600 S 4/1999 LoGiudice
- D433,278 S 11/2000 LoGiudice
- D439,108 S 3/2001 LoGiudice
- D443,347 S 6/2001 Gottwald

OTHER PUBLICATIONS

Calphalon, Ultimate Calphalon catalog; Web page depicting Commercial Hard-Anodized Cookware (1 page).

* cited by examiner

Primary Examiner—Terry A. Wallace

(74) *Attorney, Agent, or Firm*—Foley & Lardner LLP

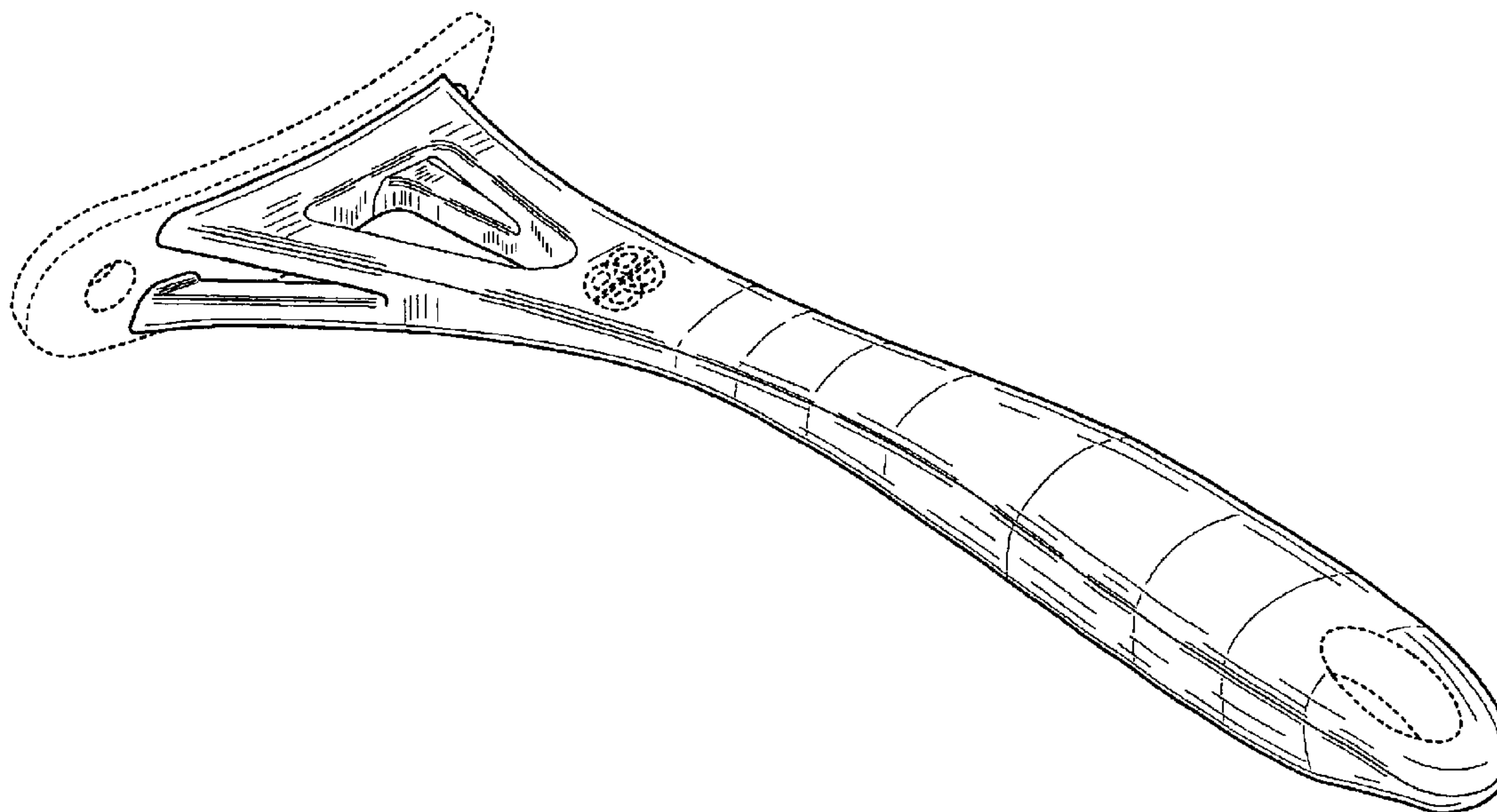
(57) **CLAIM**

The ornamental design for the handle, as shown and described.

DESCRIPTION

FIG. 1 is a perspective top, rear and left side view of a handle showing the new design;
FIG. 2 is a top plan view thereof;
FIG. 3 is a bottom plan view thereof;
FIG. 4 is a right side elevation view thereof; and,
FIG. 5 is a left side elevation view thereof.
The ornamental design which is claimed is shown in solid lines in the drawings. The broken lines in the drawings are for illustrative purposes only and form no part of the claimed design.

1 Claim, 3 Drawing Sheets



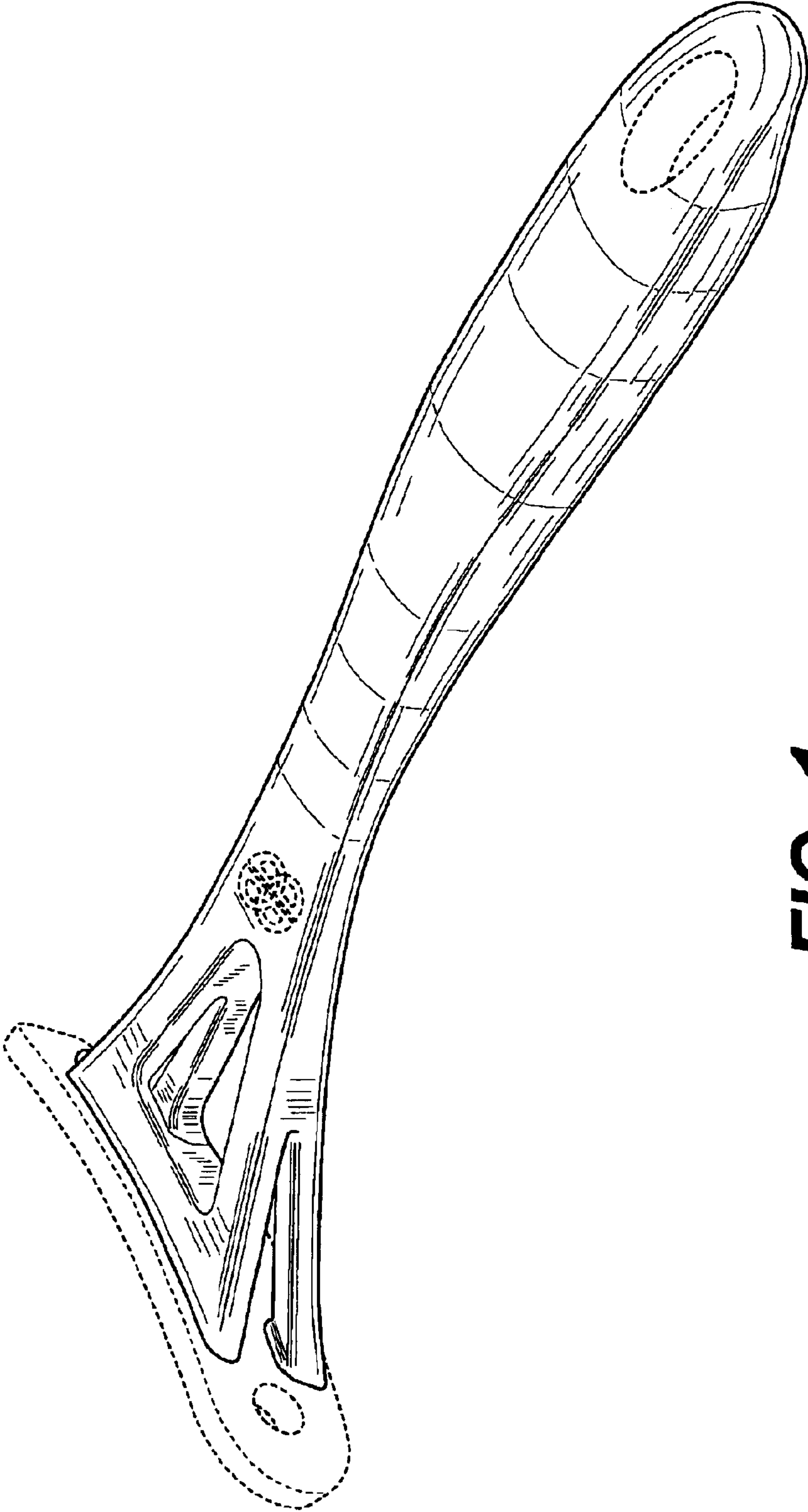


FIG. 1

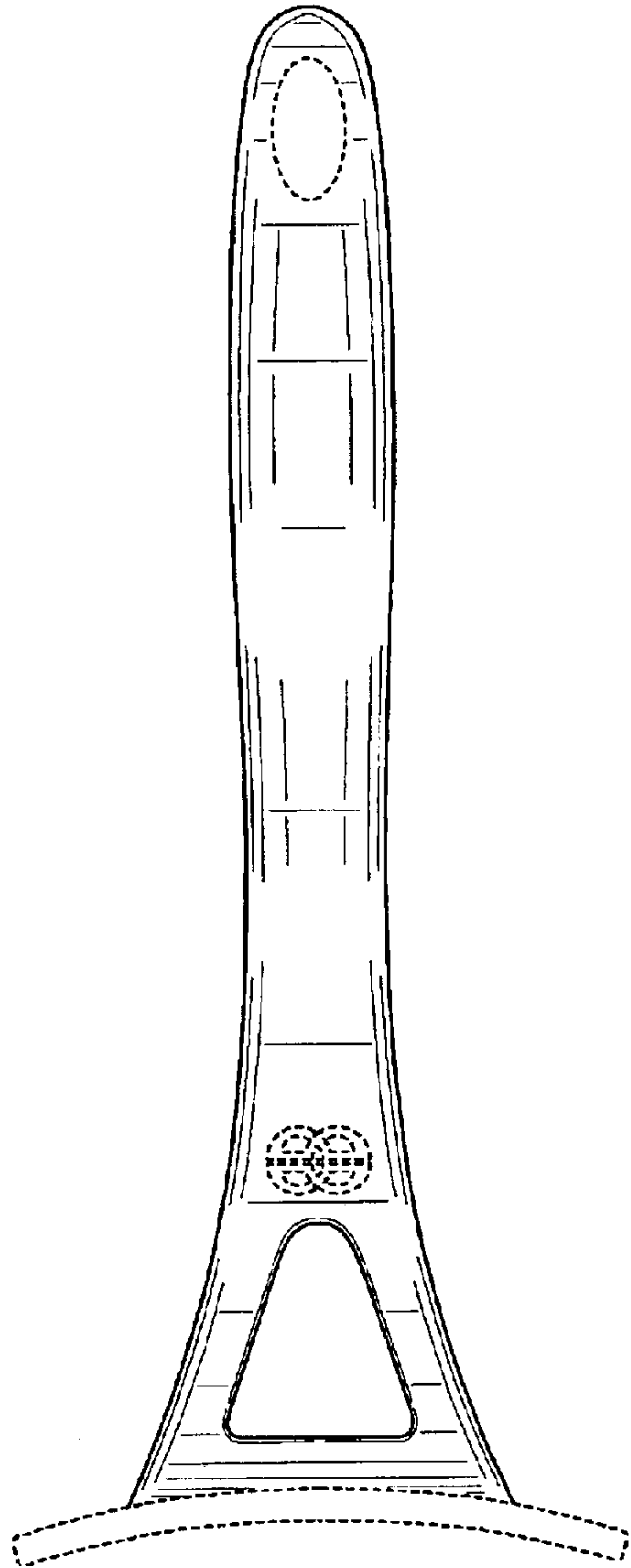


FIG. 2

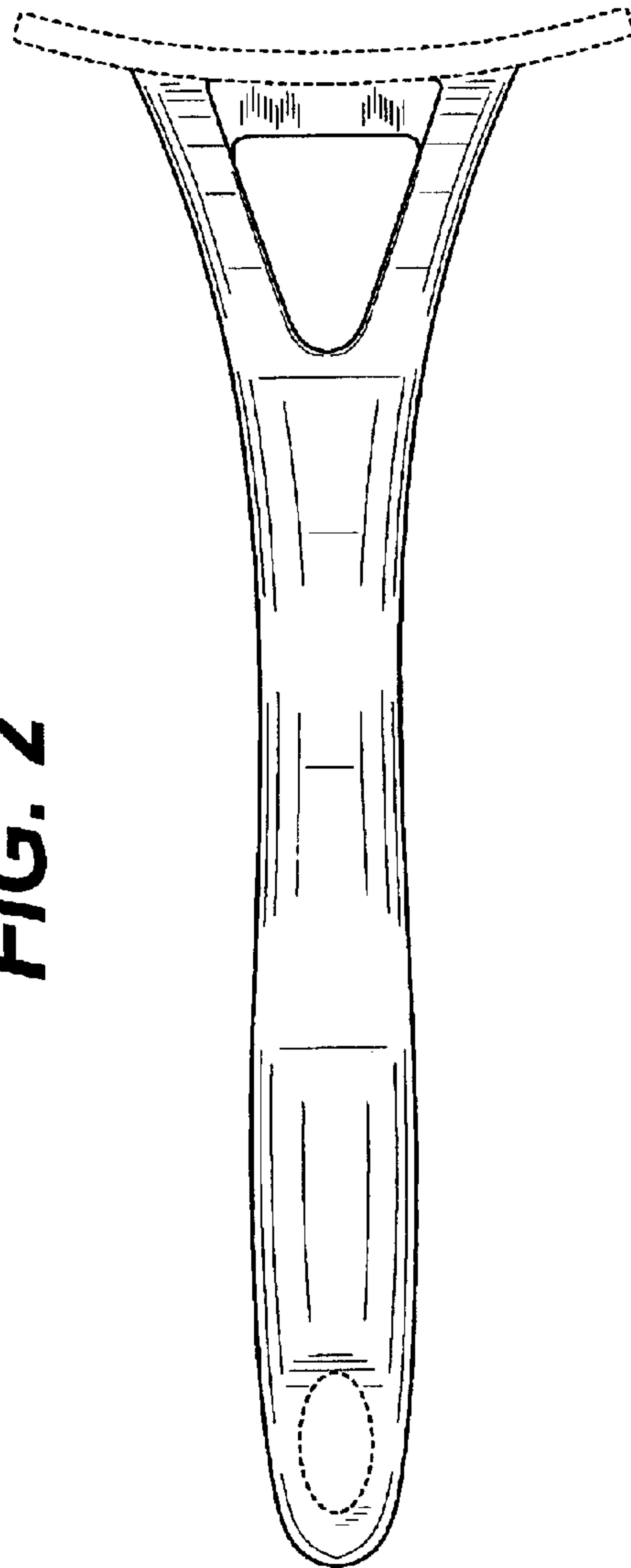


FIG. 3

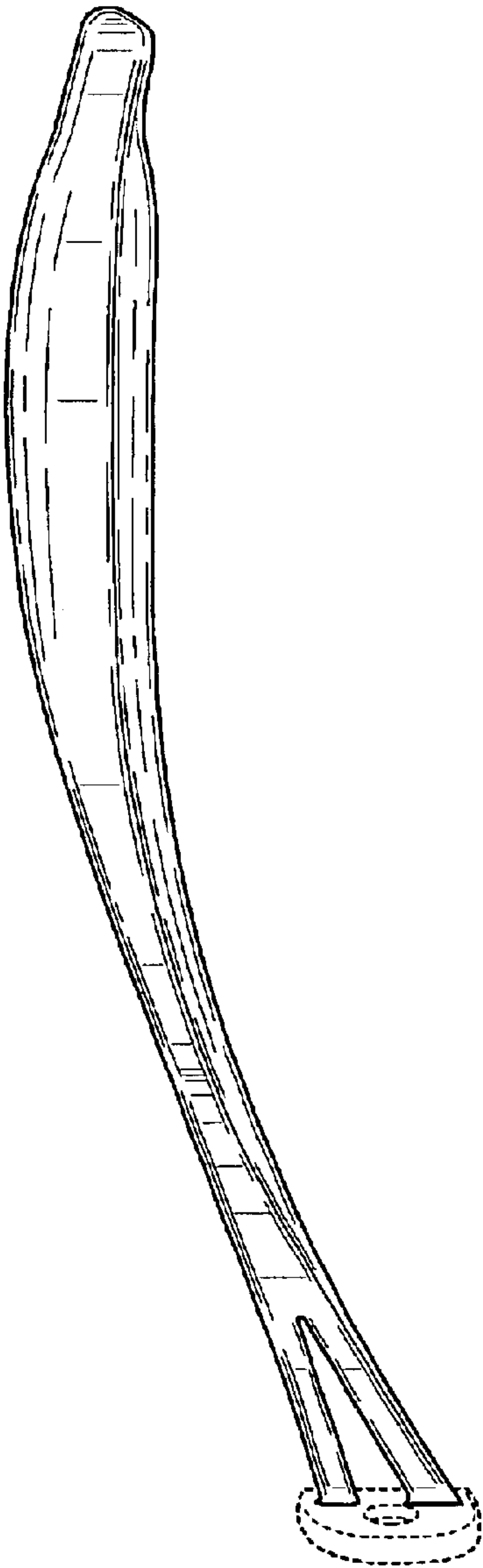


FIG. 4

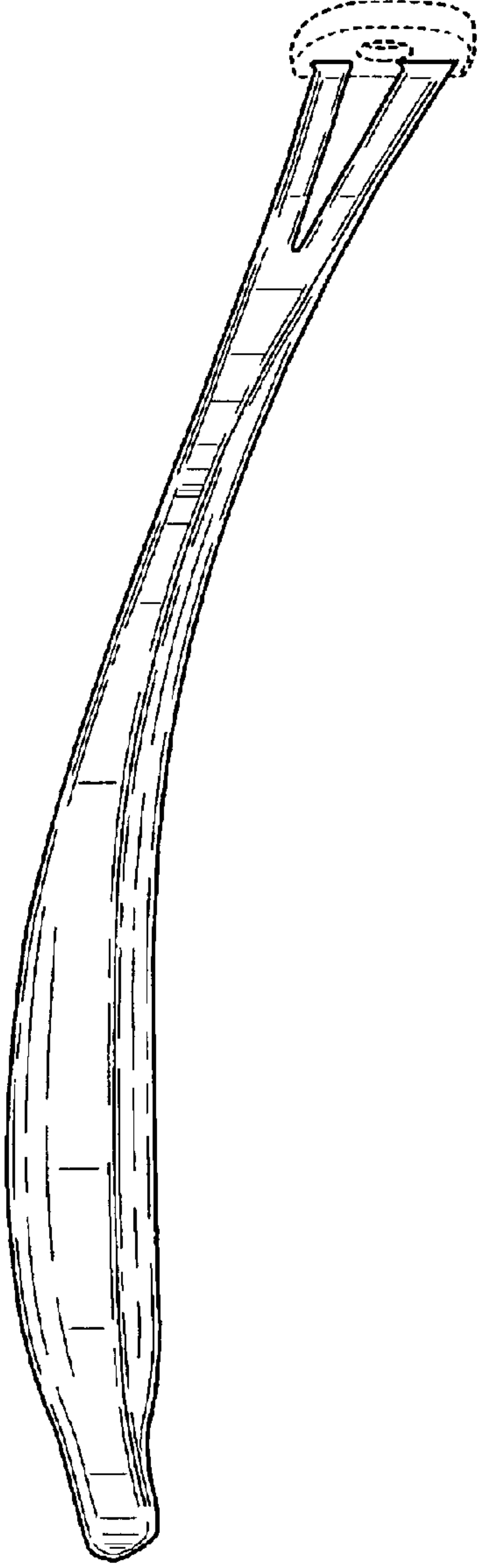


FIG. 5