

US00D503581S

(12) **United States Design Patent**
Wong et al.

(10) **Patent No.: US D503,581 S**

(45) **Date of Patent: ** *Apr. 5, 2005**

(54) **TOASTER**

(75) Inventors: **David T. Wong**, Hung Hom (HK);
Vincent M. L. Ng, West District (HK)

(73) Assignee: **HP Intellectual Corp.**, Wilmington, DE
(US)

(*) Notice: This patent is subject to a terminal disclaimer.

(**) Term: **14 Years**

(21) Appl. No.: **29/185,161**

(22) Filed: **Jun. 25, 2003**

(51) **LOC (7) Cl.** **07-02**

(52) **U.S. Cl.** **D7/330**

(58) **Field of Search** D7/328–330; 99/331,
99/339, 341, 385, 389, 326; 426/243

(56) **References Cited**

U.S. PATENT DOCUMENTS

1,656,848 A	1/1928	Wyatt
1,762,176 A	6/1930	Kuhn et al.
1,809,172 A	6/1931	LeSavage
1,828,400 A	10/1931	Endorf
2,140,158 A	12/1938	Knapp
2,262,498 A	11/1941	Holm-Hansen
2,357,288 A	9/1944	Ricard
3,347,153 A	10/1967	Sutton
D209,361 S	11/1967	Sutton
D209,362 S	11/1967	Sutton
D244,341 S	5/1977	Hanson et al.
4,924,049 A	5/1990	Dexter, Jr.
D336,402 S	6/1993	Del Fresno
D377,133 S	1/1997	Stutzer et al.

D377,578 S	1/1997	Barthelemy et al.	
D378,971 S	4/1997	Cruz	
D379,899 S	6/1997	Barthelemy et al.	
D388,276 S	* 12/1997	Cruz	D7/330
D389,371 S	1/1998	Thiebold et al.	
D391,805 S	3/1998	Barthelemy et al.	
D394,983 S	* 6/1998	Garrett et al.	D7/330
D396,164 S	7/1998	Stutzer et al.	
5,960,702 A	10/1999	Thiriat et al.	
D421,693 S	* 3/2000	Carbone	D7/330
D422,833 S	* 4/2000	Cruz et al.	D7/330
6,205,910 B1	* 3/2001	Vaughn	99/326
D442,817 S	5/2001	Demore	
D475,884 S	* 6/2003	Holderfield et al.	D7/330
D483,601 S	* 12/2003	Anglay	D7/330
D488,664 S	* 4/2004	Seum et al.	D7/330

OTHER PUBLICATIONS

Black & Decker^R Collection 2000–2001 Catalog, p. 14.

* cited by examiner

Primary Examiner—Caron D. Veynar

(74) *Attorney, Agent, or Firm*—Barry E. Deutsch

(57) **CLAIM**

The ornamental design for a toaster, as shown and described.

DESCRIPTION

FIG. 1 is a perspective view, taken from the front, right side, and top, illustrating our new design of a toaster; FIG. 2 is a left side elevation view thereof; FIG. 3 is a front elevation view thereof; FIG. 4 is a right side elevation view thereof; FIG. 5 is a rear elevation view thereof; FIG. 6 is a top plan view thereof; and, FIG. 7 is a bottom plan view thereof.

1 Claim, 7 Drawing Sheets

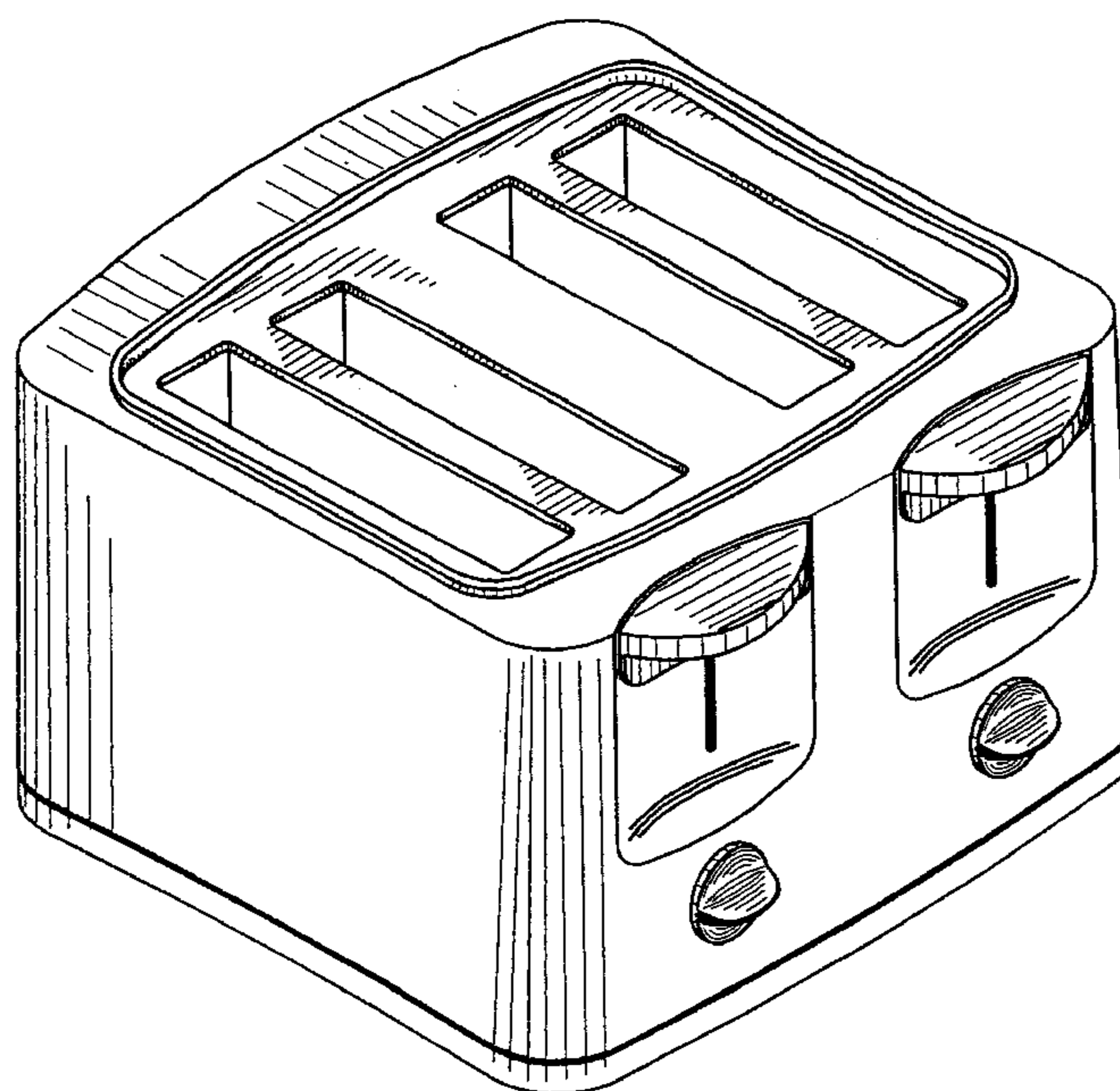


FIG. 1

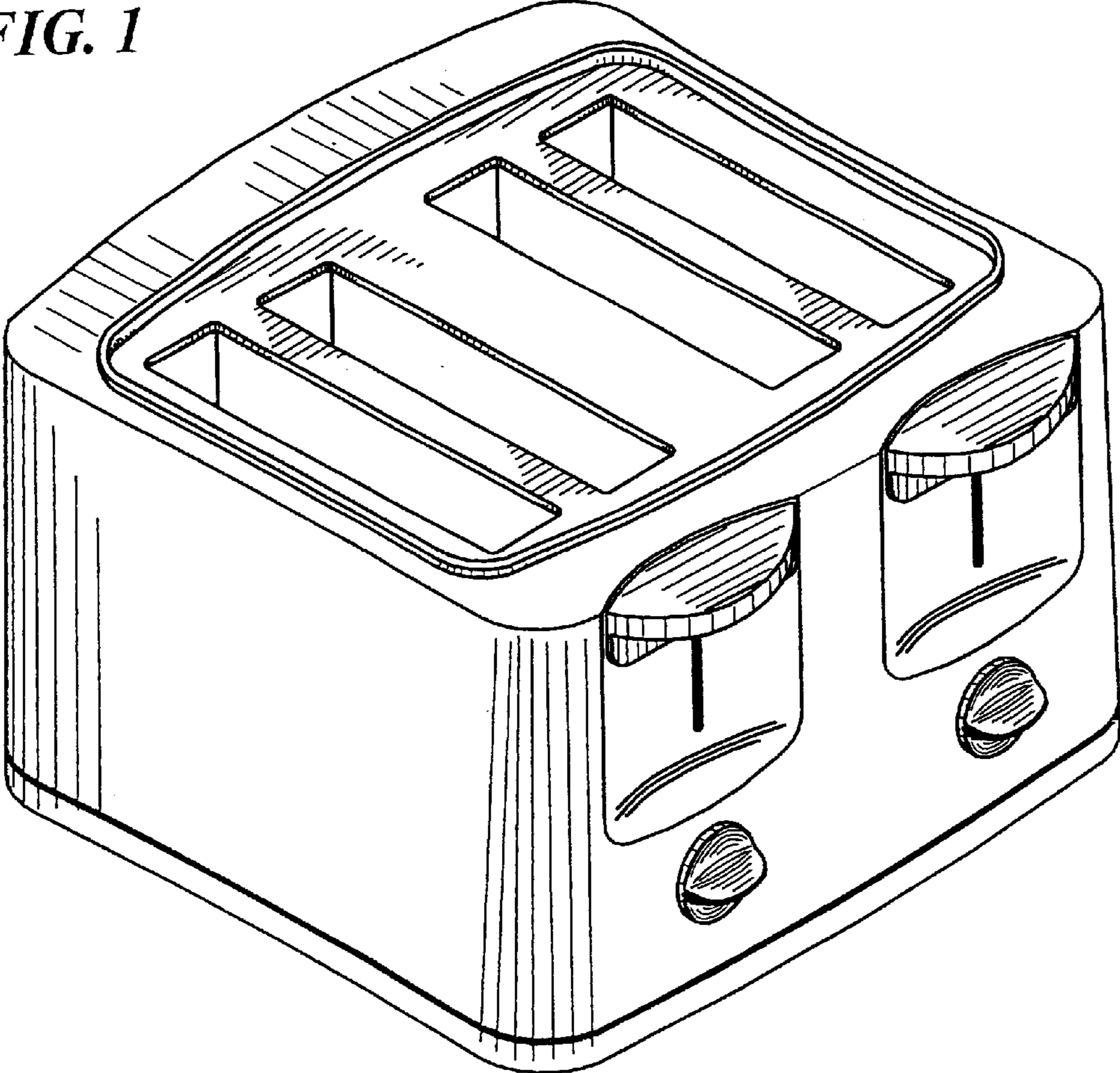


FIG. 2

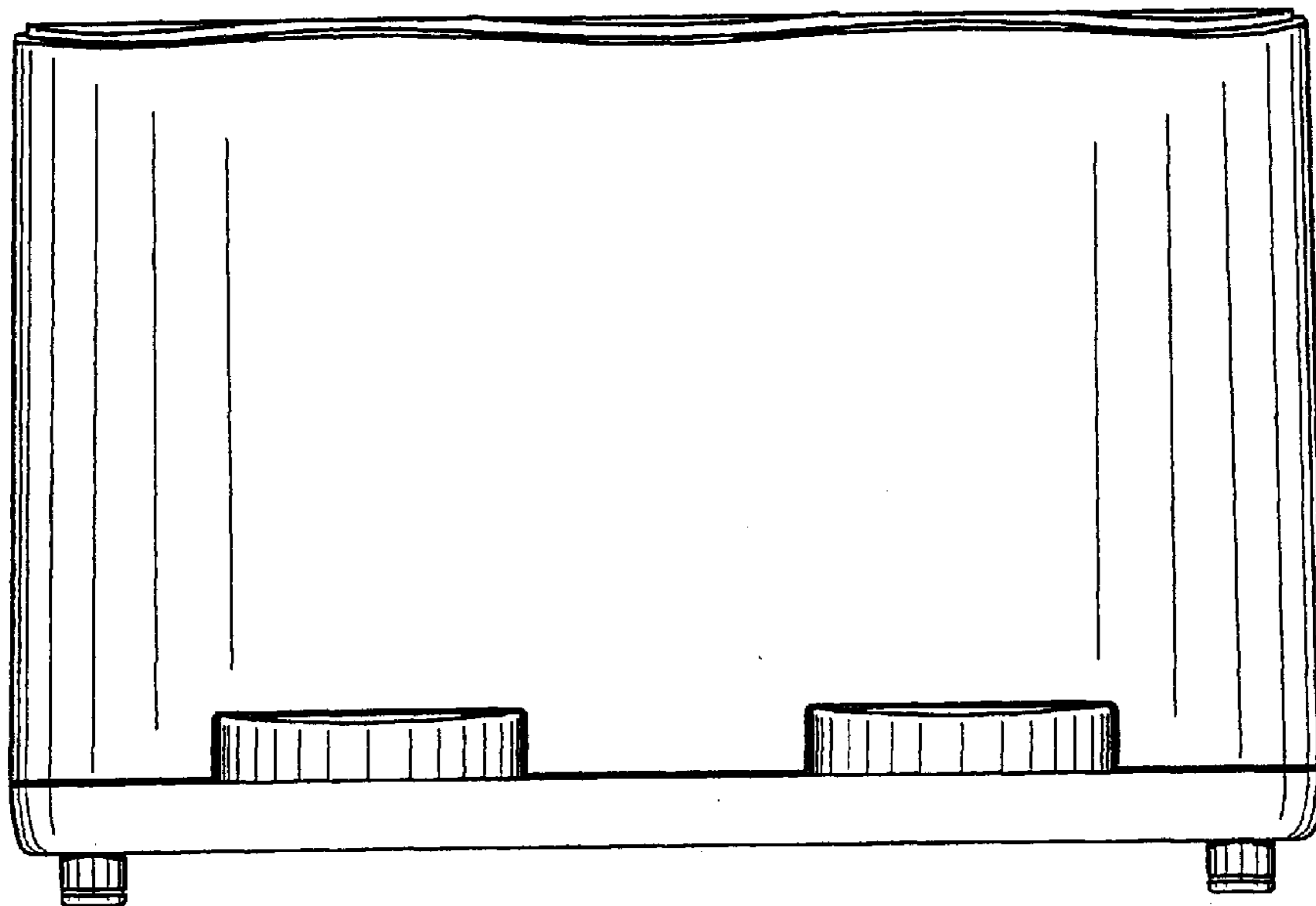


FIG. 3

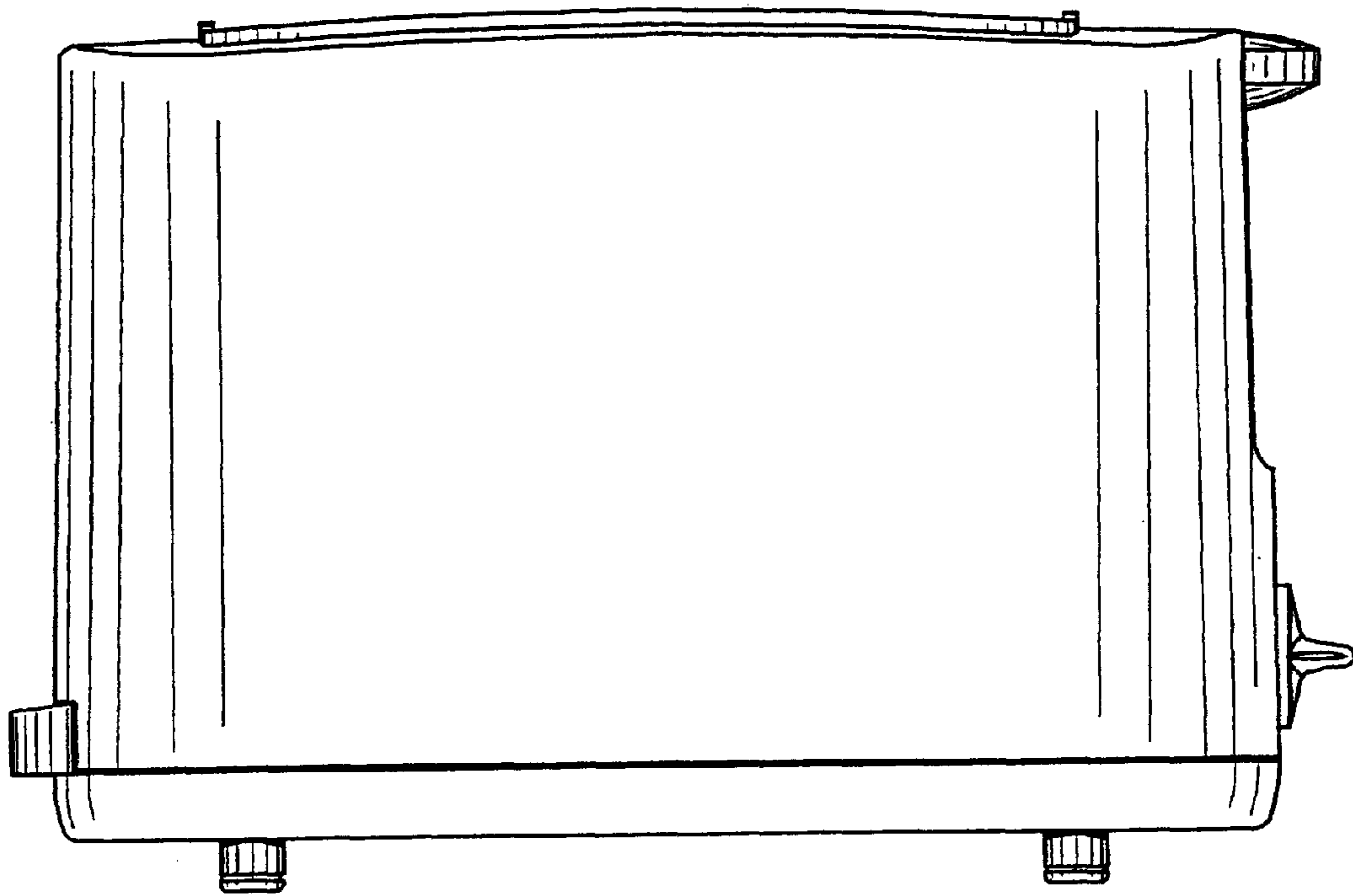


FIG. 4

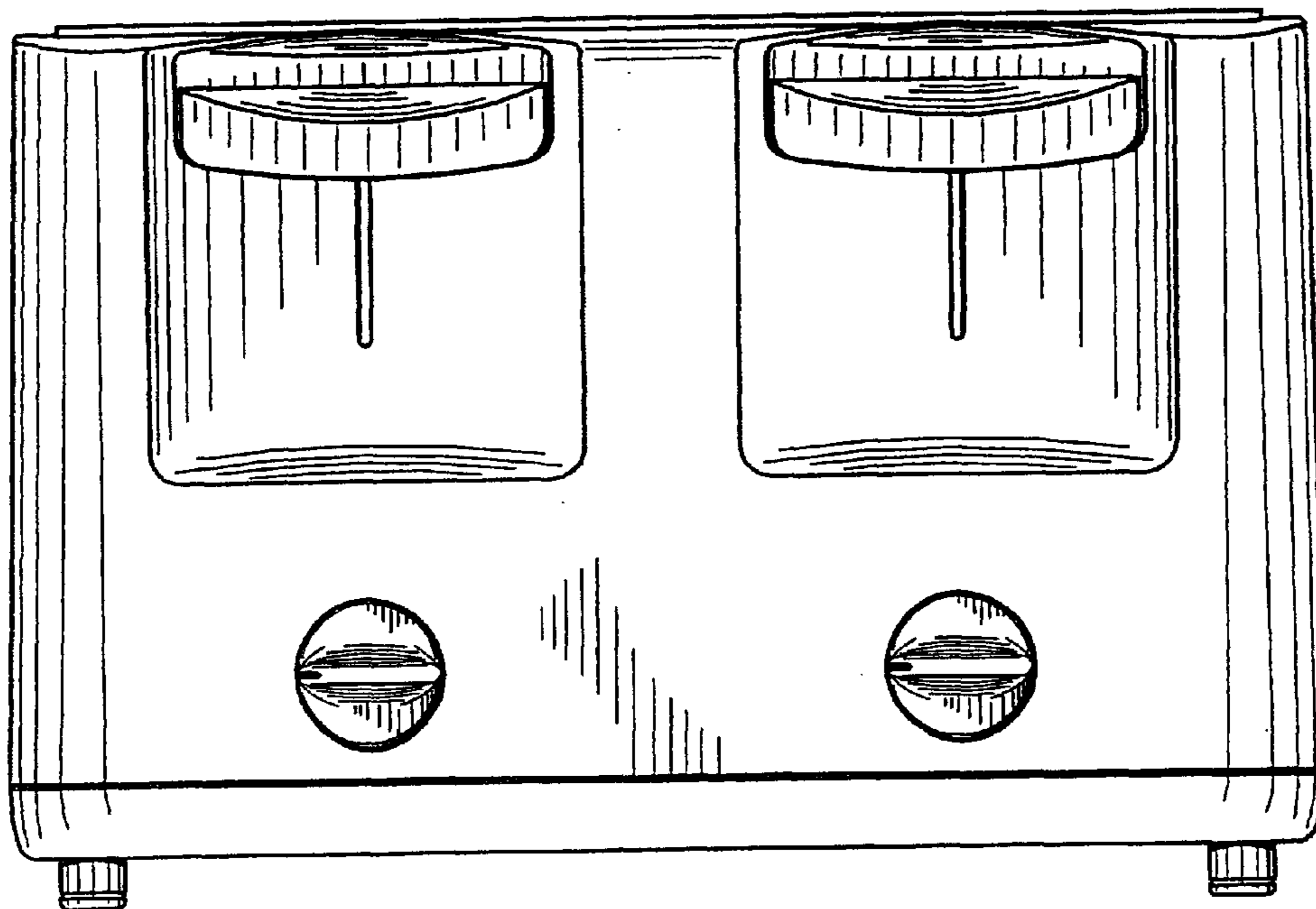


FIG. 5

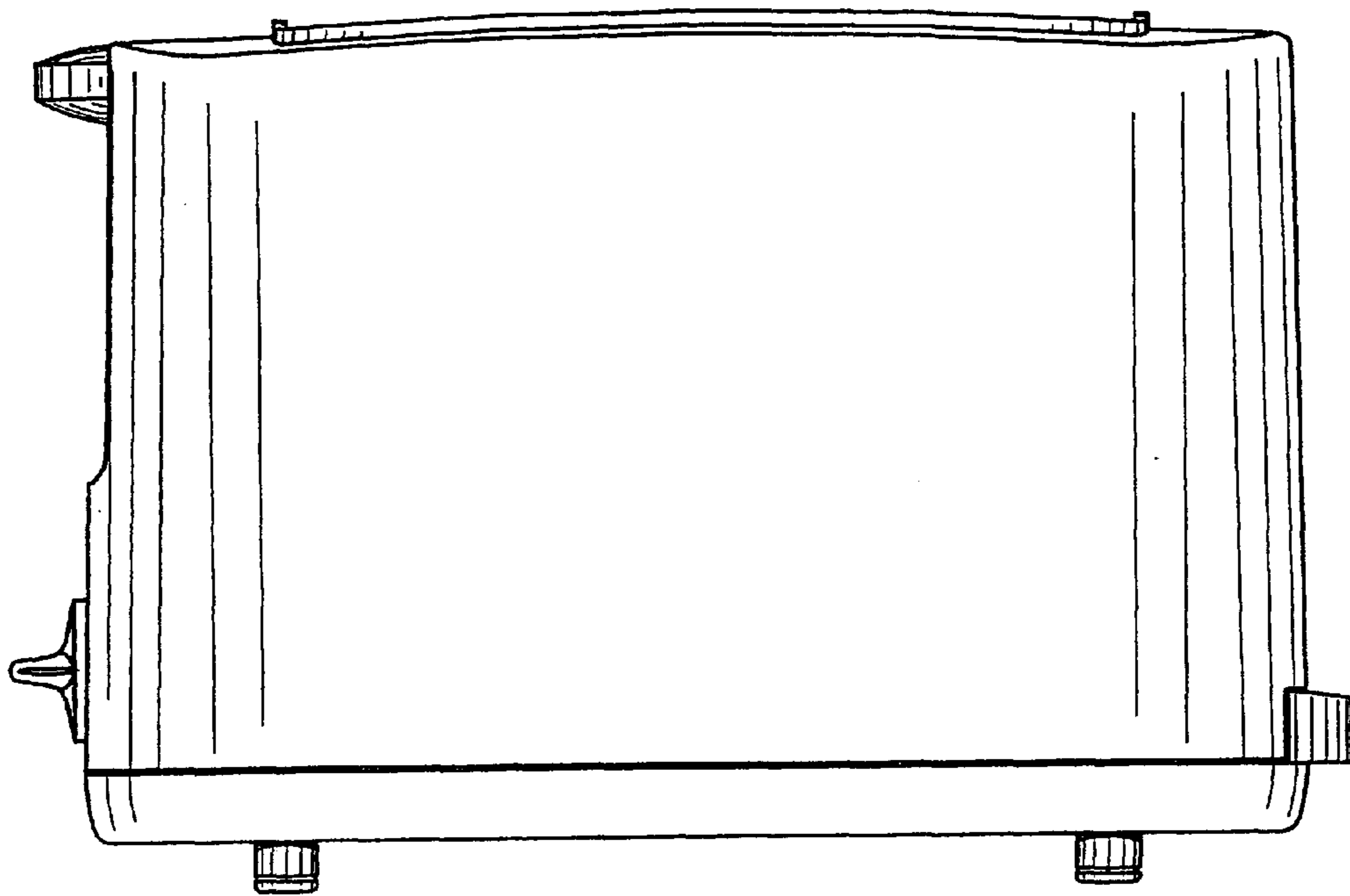


FIG. 6

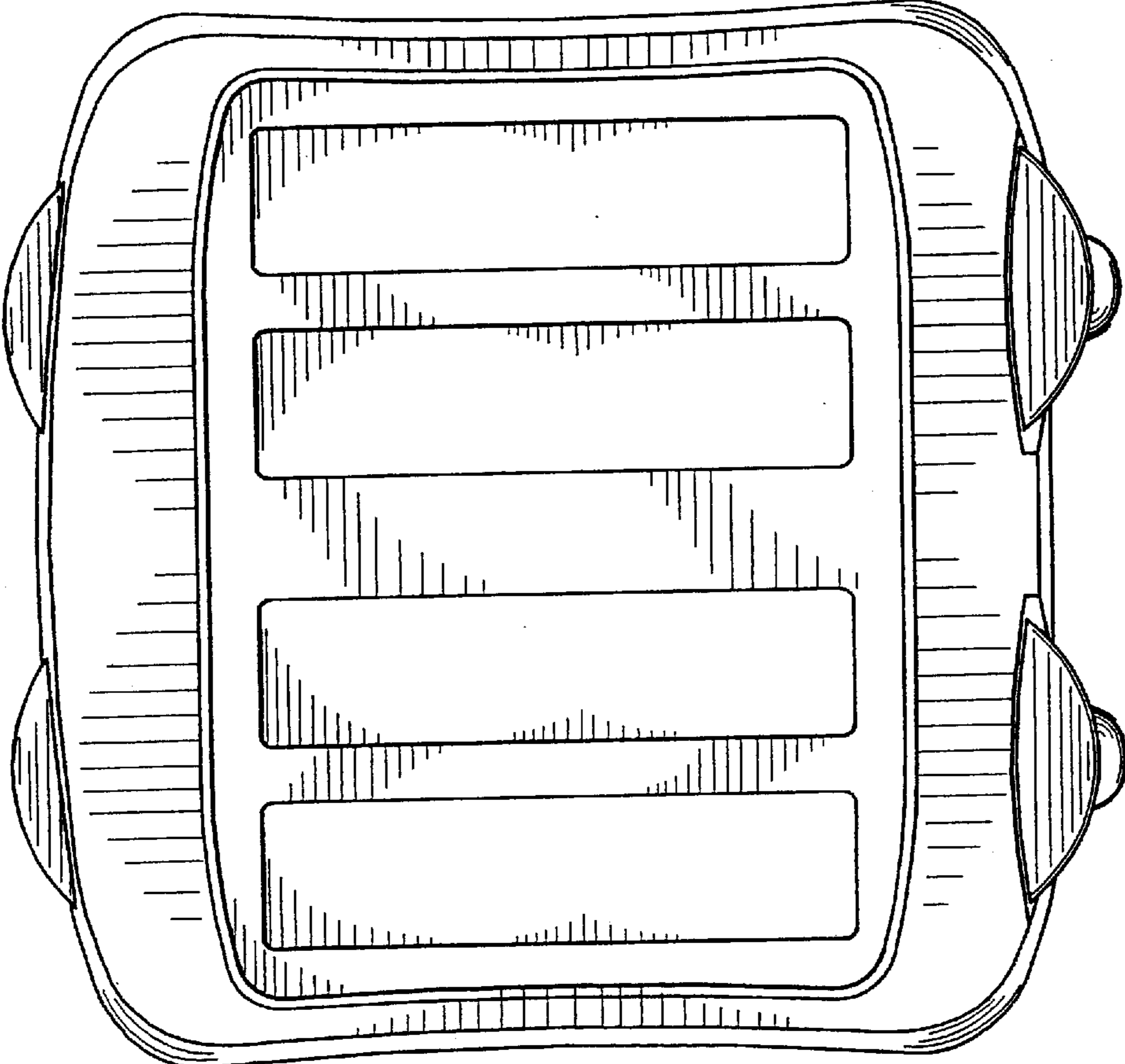


FIG. 7

