

US00D503577S

(12) **United States Design Patent**
Gilbert

(10) **Patent No.:** **US D503,577 S**

(45) **Date of Patent:** **** Apr. 5, 2005**

(54) **TOWEL RING**

(75) **Inventor:** **Christopher Jon Gilbert**, Moreland Hills, OH (US)

(73) **Assignee:** **Moen Incorporated**, North Olmstead, OH (US)

(**) **Term:** **14 Years**

(21) **Appl. No.:** **29/199,730**

(22) **Filed:** **Feb. 19, 2004**

Related U.S. Application Data

(63) Continuation of application No. 29/198,249, filed on Jan. 27, 2004.

(51) **LOC (7) Cl.** **06-04**

(52) **U.S. Cl.** **D6/546**

(58) **Field of Search** D6/546-550, 518-519, D6/522-524; D8/300, 303, 315-321, 354, 363, 373, 380; 108/28-29; 211/13.1, 16, 60.1, 86.01, 87.01, 88.01, 88.04, 100, 105.1-105.2, 123, 126.1, 133.6, 134, 181.1, 182; 248/175, 176.1, 200, 251, 302, 309.1; 16/110.1, 412, 415; 242/570, 590, 595-598; 206/389, 557

(56) **References Cited**

U.S. PATENT DOCUMENTS

D297,194 S * 8/1988 Reid D6/546

D382,752 S * 8/1997 Goodman et al. D6/546
D453,435 S 2/2002 Hoernig
D454,274 S 3/2002 Zetsche
D472,416 S 4/2003 Yen
D483,975 S * 12/2003 Yang D6/549

* cited by examiner

Primary Examiner—Brian N Vinson

(74) *Attorney, Agent, or Firm*—Calfee, Halter & Griswold LLP

(57) **CLAIM**

The ornamental design for a towel ring, as shown and described.

DESCRIPTION

FIG. 1 is a perspective view of a towel ring showing my new design;

FIG. 2 is a front elevational view of the towel ring of FIG. 1;

FIG. 3 is a bottom plan view of the towel ring of FIG. 1;

FIG. 4 is a rear elevational view of the towel ring of FIG. 1;

FIG. 5 is a top view of the towel ring of FIG. 1; and,

FIG. 6 is a side view of the towel ring of FIG. 1, wherein the appearance of the side opposite is a mirror image of that shown.

The broken-line disclosure in the view is for illustrative purposes only and forms no part of the claimed design.

1 Claim, 1 Drawing Sheet

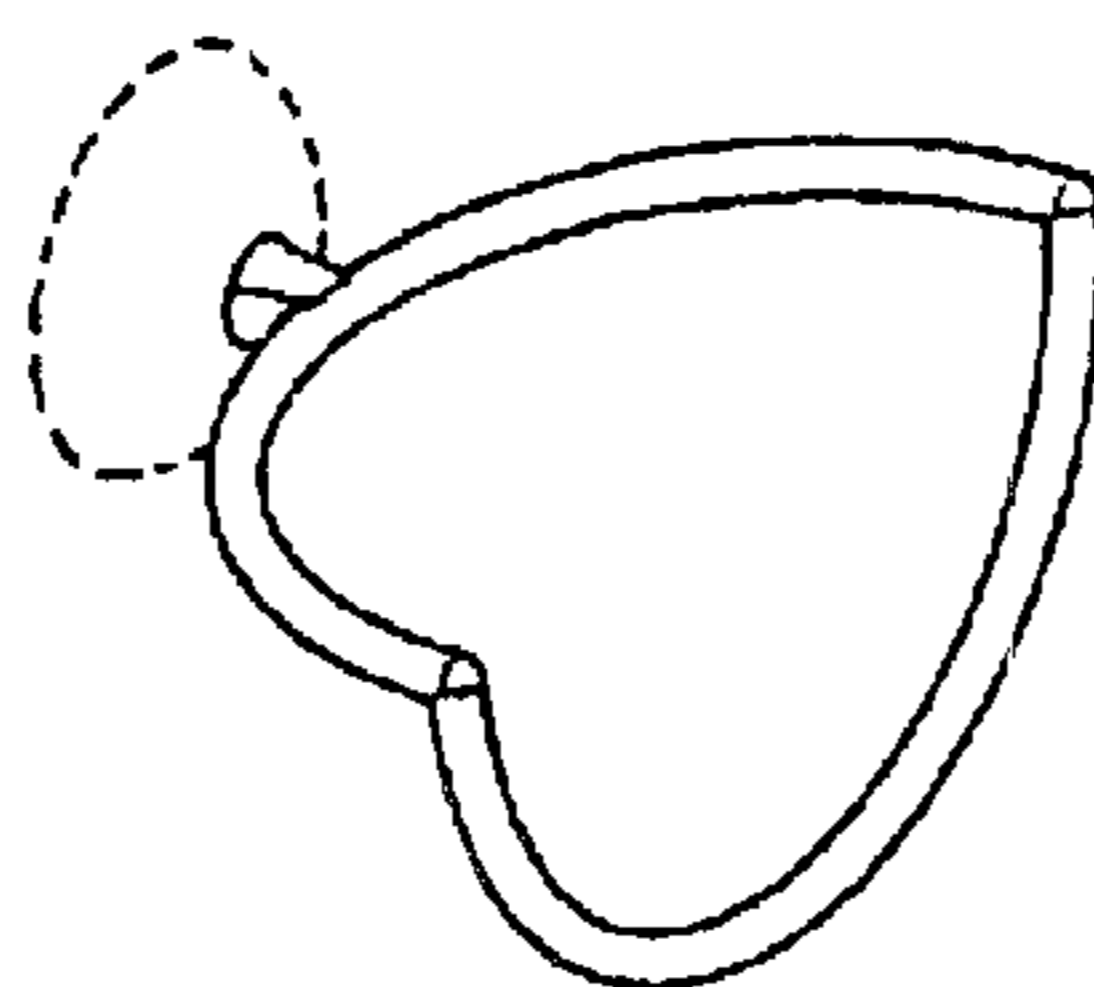


FIG. 1

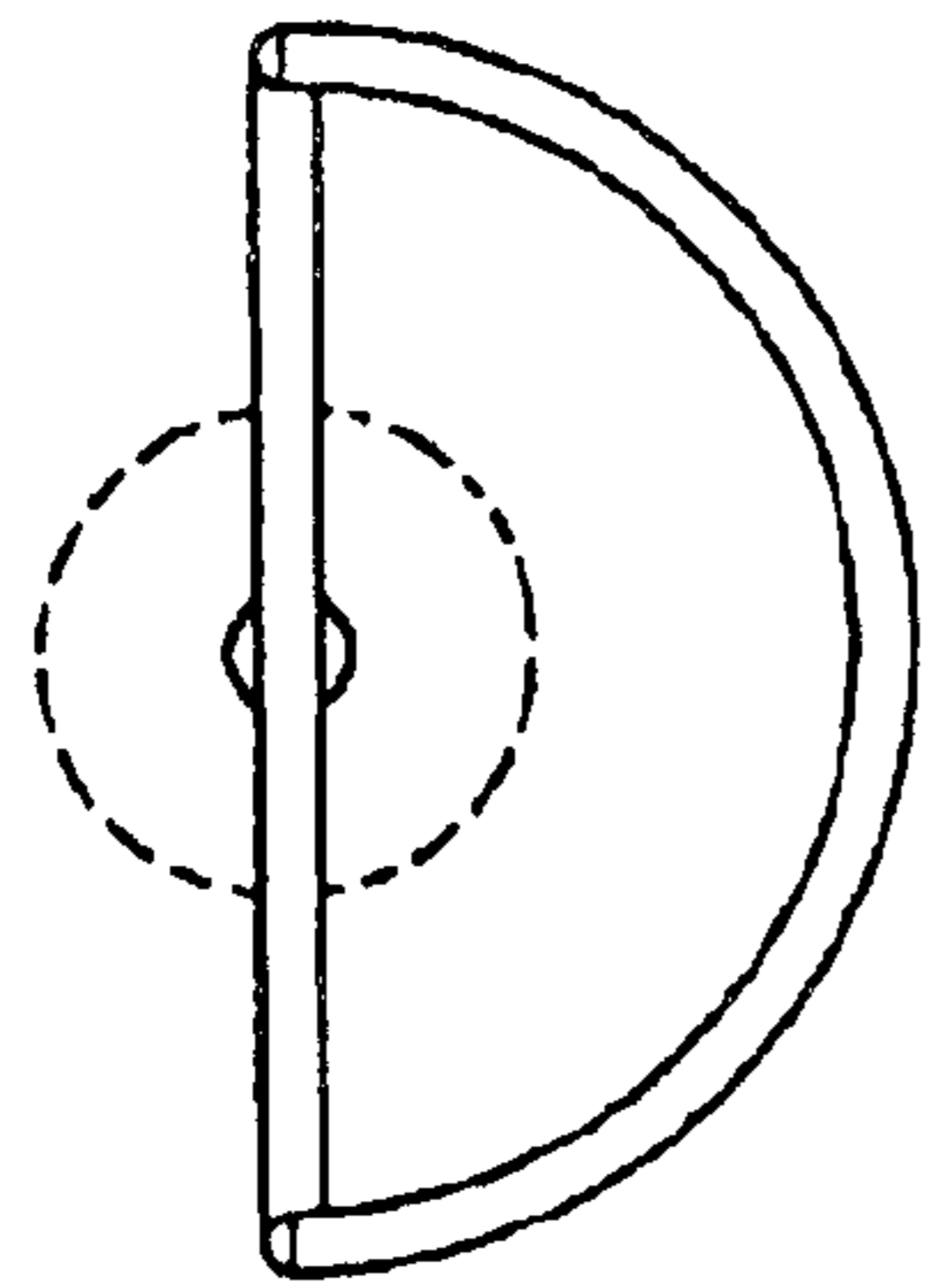
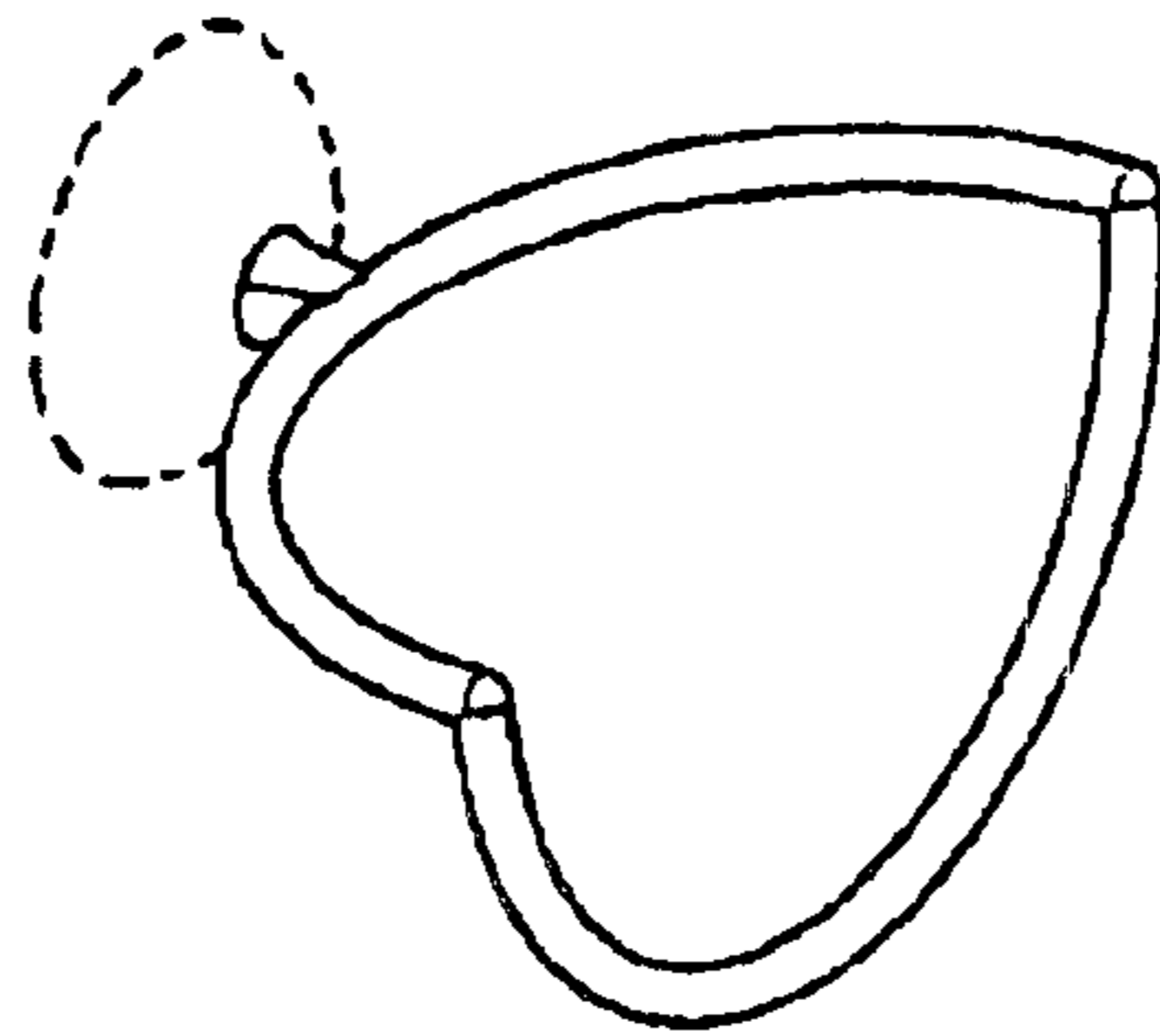


FIG. 2

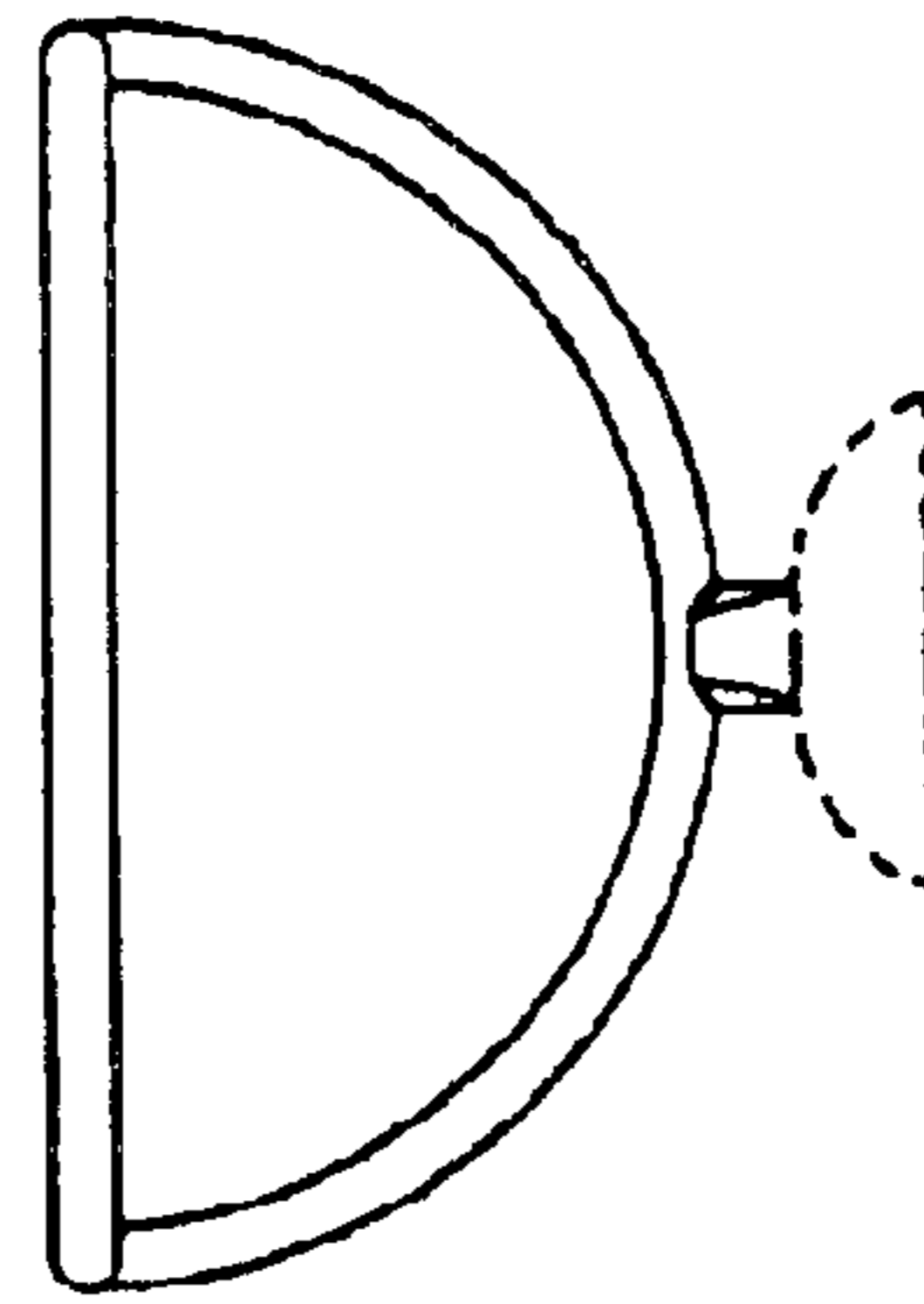


FIG. 3

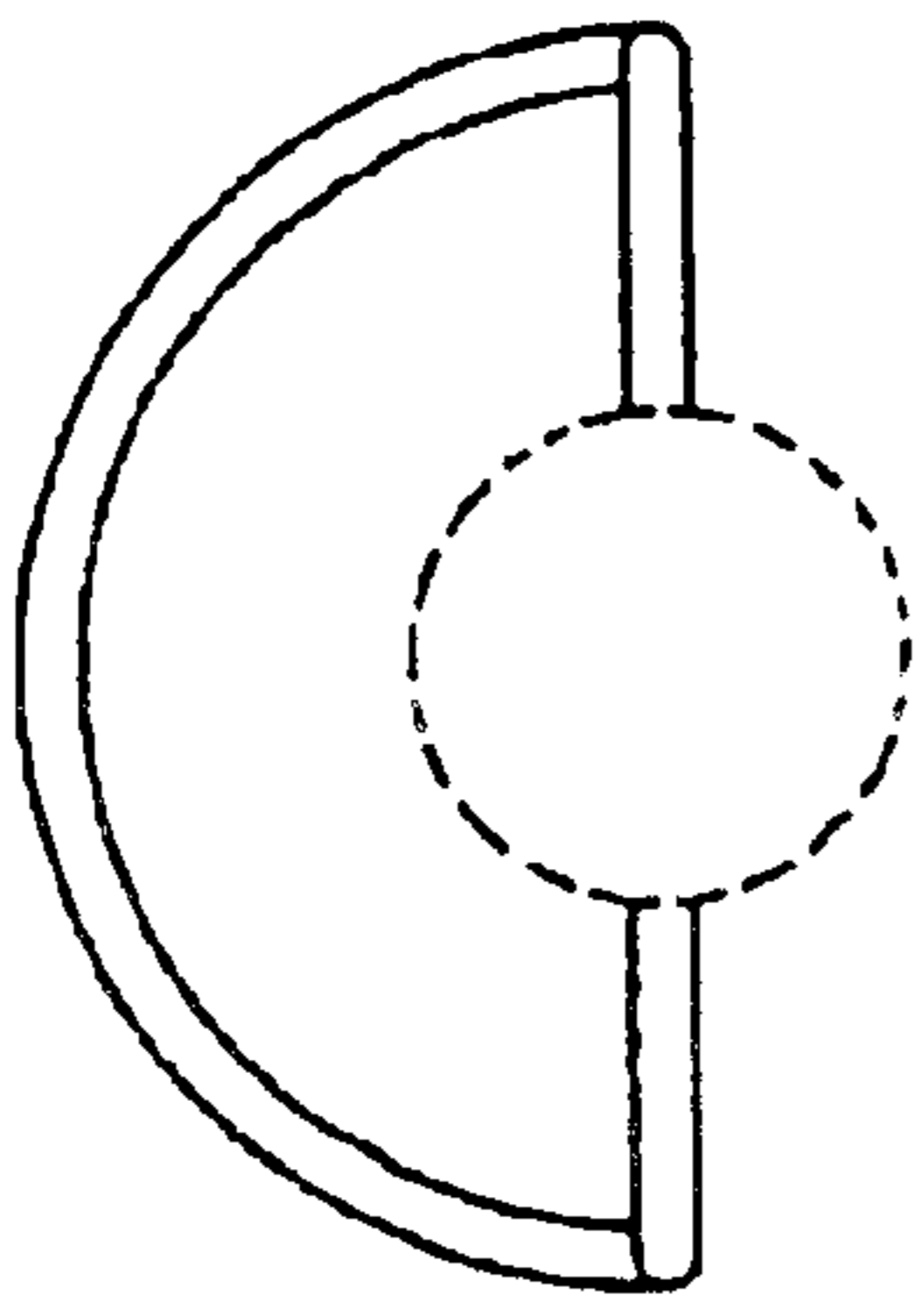


FIG. 4

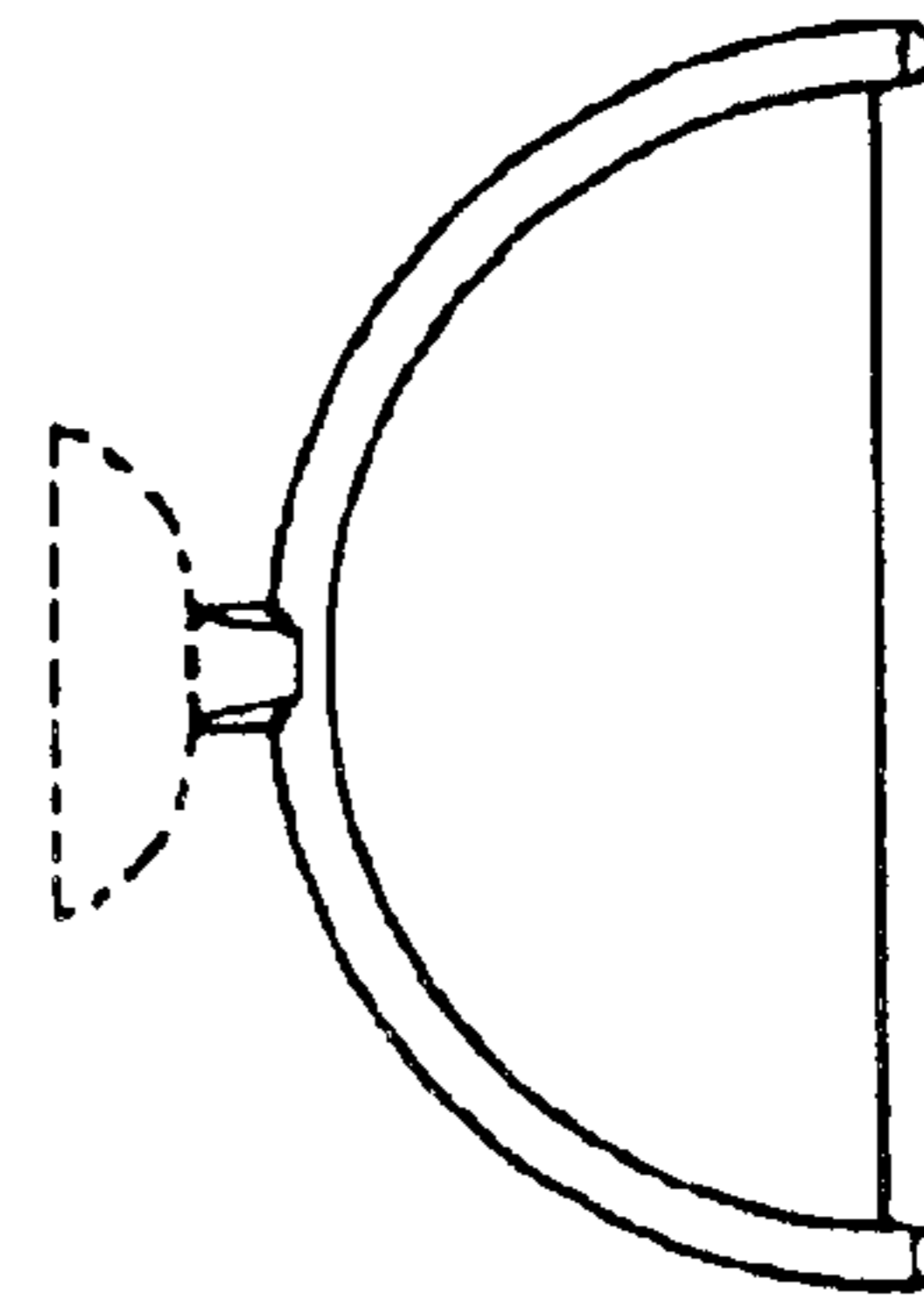


FIG. 5

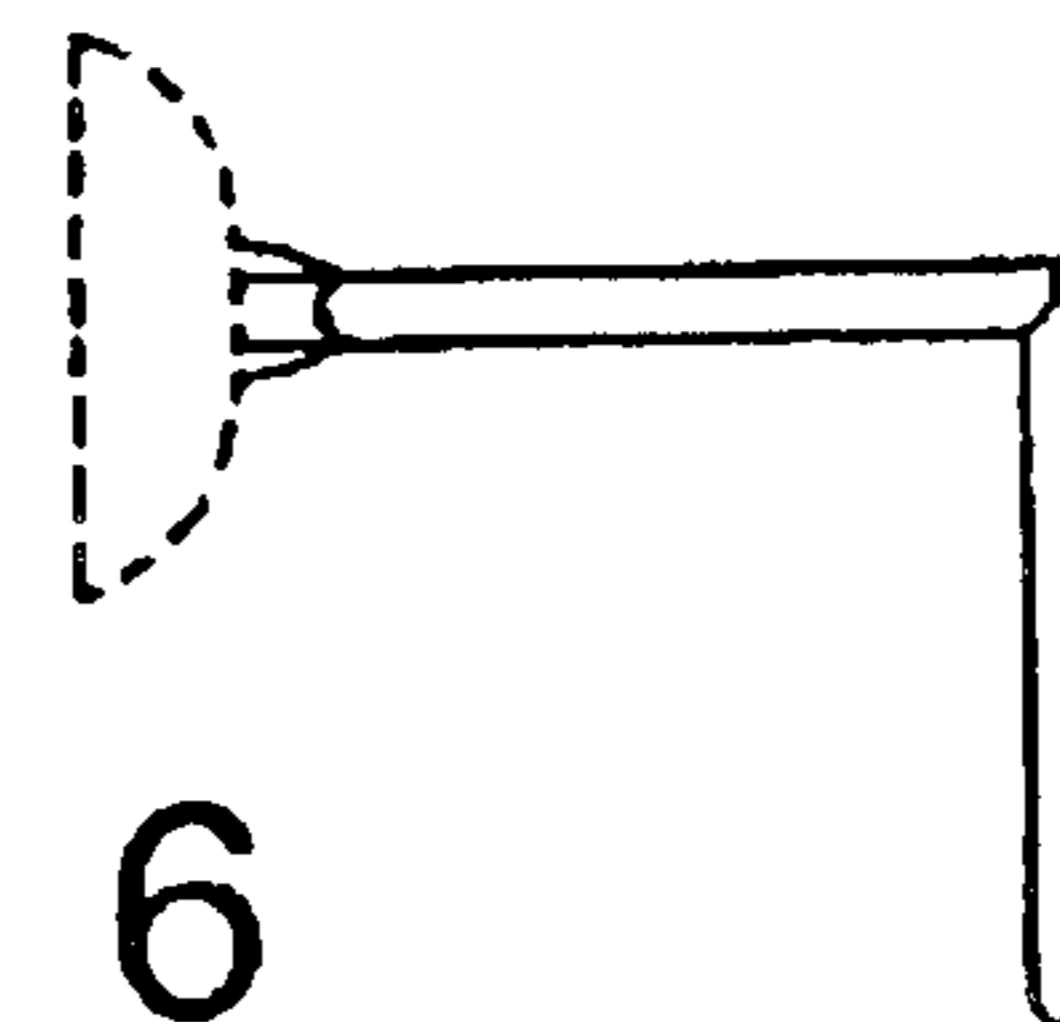


FIG. 6