



US00D503575S

(12) **United States Design Patent**
Jackson et al.

(10) **Patent No.: US D503,575 S**

(45) **Date of Patent: ** Apr. 5, 2005**

(54) **WALL HANGER FOR A PLANT**

D348,165 S * 6/1994 Walaski D6/556
D430,441 S * 9/2000 Rosenberg D6/566
D431,137 S * 9/2000 McBarnette D6/513

(76) Inventors: **Mary E. Jackson**, 2541 60th Ave.
South, St. Petersburg, FL (US) 33712;
Edward N. Provost, 2541 60th Ave.
South, St. Petersburg, FL (US) 33712

* cited by examiner

(**) Term: **14 Years**

Primary Examiner—Brian N Vinson
(74) *Attorney, Agent, or Firm*—Larson & Larson, PA;
Herbert W. Larson

(21) Appl. No.: **29/209,863**

(57) **CLAIM**

(22) Filed: **Jul. 22, 2004**

The ornamental design for a wall hanger for a plant, as shown and described.

Related U.S. Application Data

DESCRIPTION

(62) Division of application No. 29/190,189, filed on Sep. 16, 2003, now Pat. No. Des. 496,200.

(51) **LOC (7) Cl.** **06-06**

(52) **U.S. Cl.** **D6/513; D6/556**

(58) **Field of Search** D6/512–514, 556,
D6/558; 211/13.1, 71.01, 86.01, 88.03,
106, 181.1; 248/200, 302, 304, 309.1, 311.2,
314

FIG. 1 is a front elevational view of a wall hanger for a plant showing our novel design;
FIG. 2 is a rear elevational view thereof;
FIG. 3 is a left side view thereof;
FIG. 4 is a right side view thereof;
FIG. 5 is a top plan view thereof;
FIG. 6 is a bottom plan view thereof; and,
FIG. 7 is a perspective view of a wall hanger for a plant of the present invention.

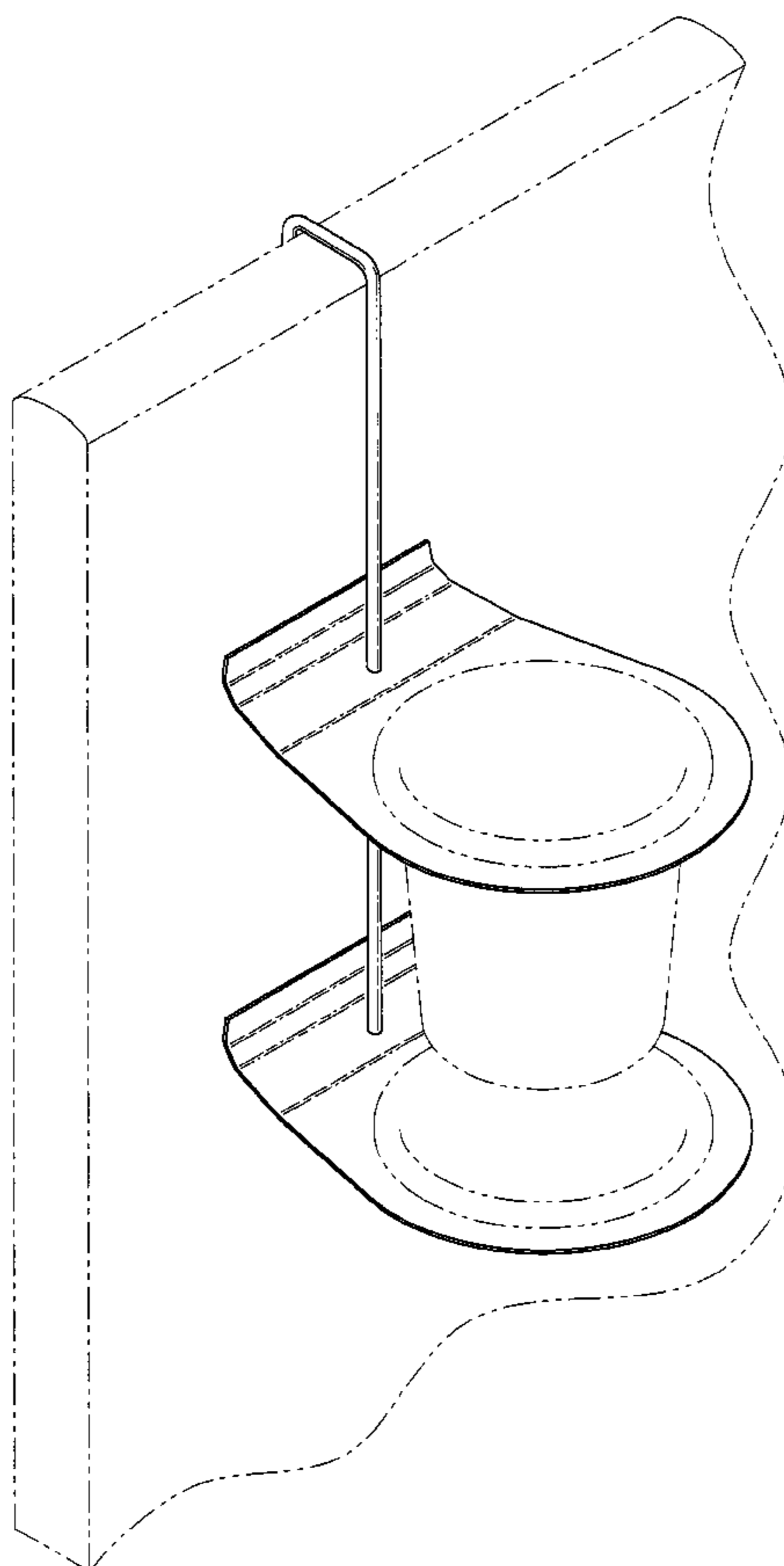
(56) **References Cited**

The broken lines shown in FIG. 7 are for illustrative purposes only and form no part of the overall claimed design.

U.S. PATENT DOCUMENTS

D250,306 S * 11/1978 Momcilovich D6/513
4,603,507 A * 8/1986 Nelson 47/67
D337,226 S * 7/1993 Rosenbaum D6/513

1 Claim, 4 Drawing Sheets



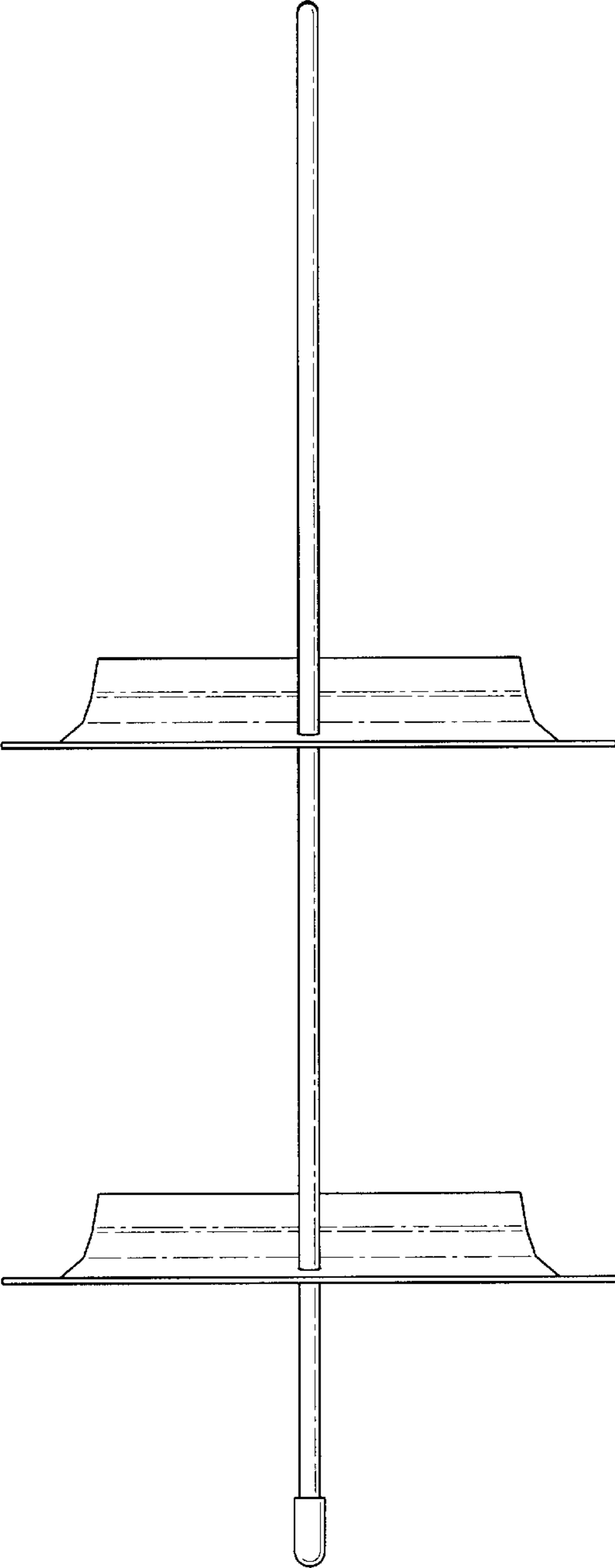


FIG. 1

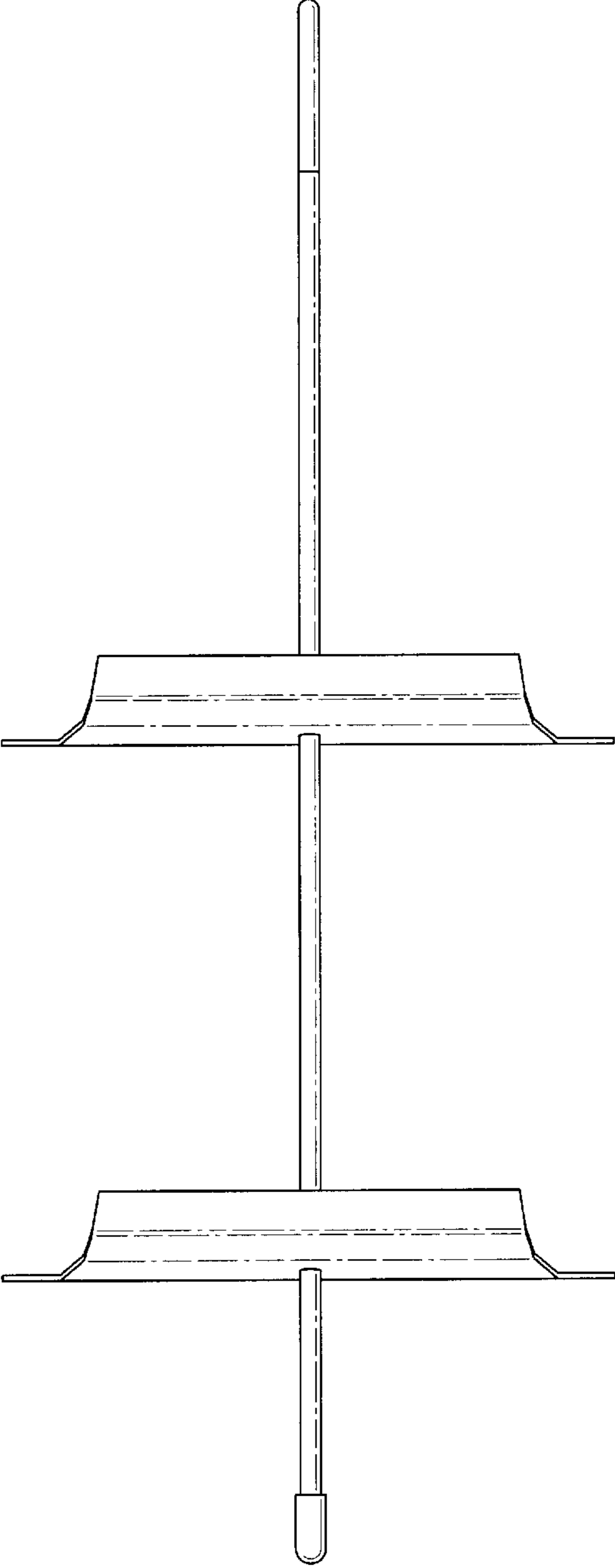


FIG. 2

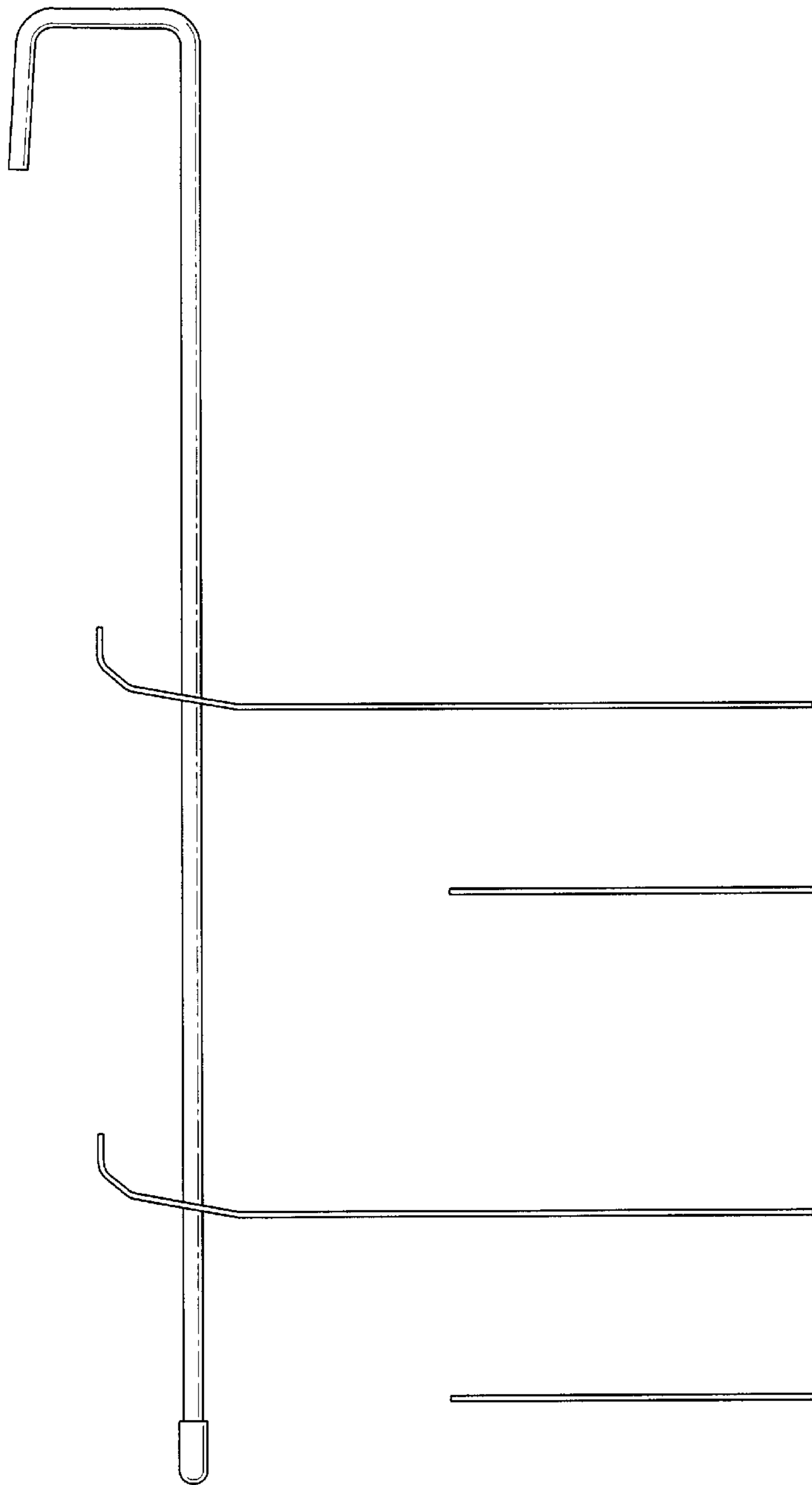


FIG. 3

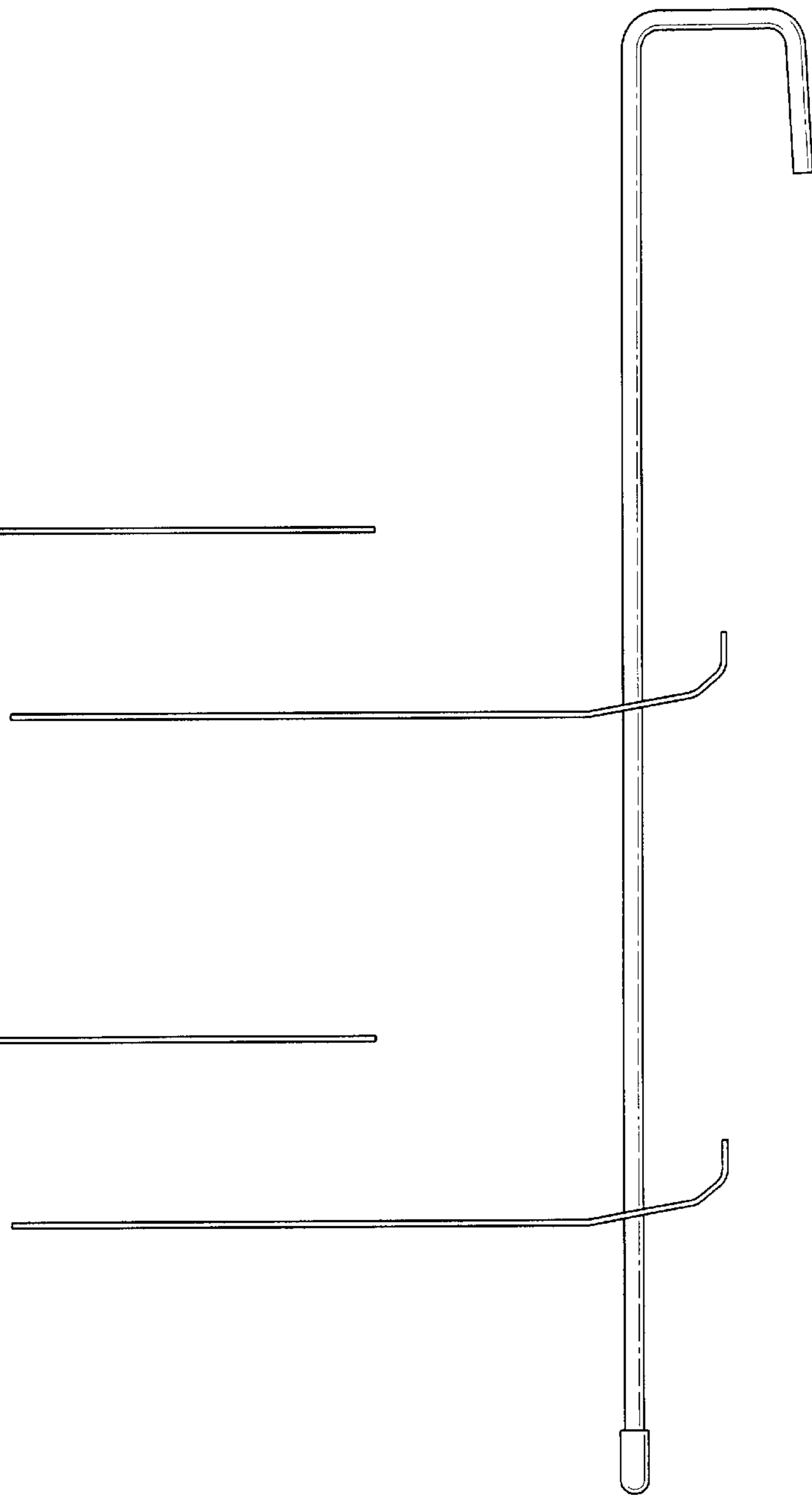


FIG. 4

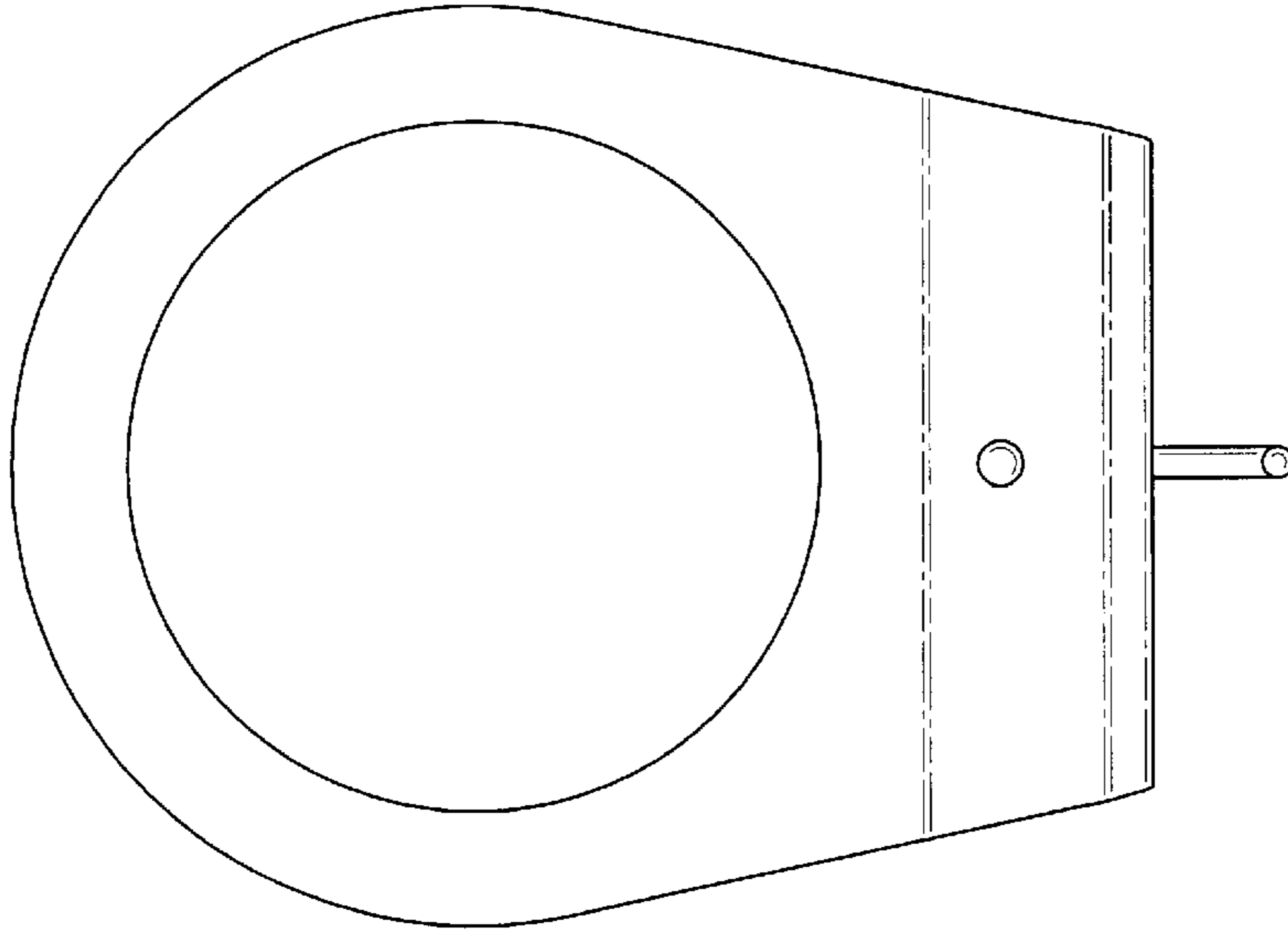


FIG. 6

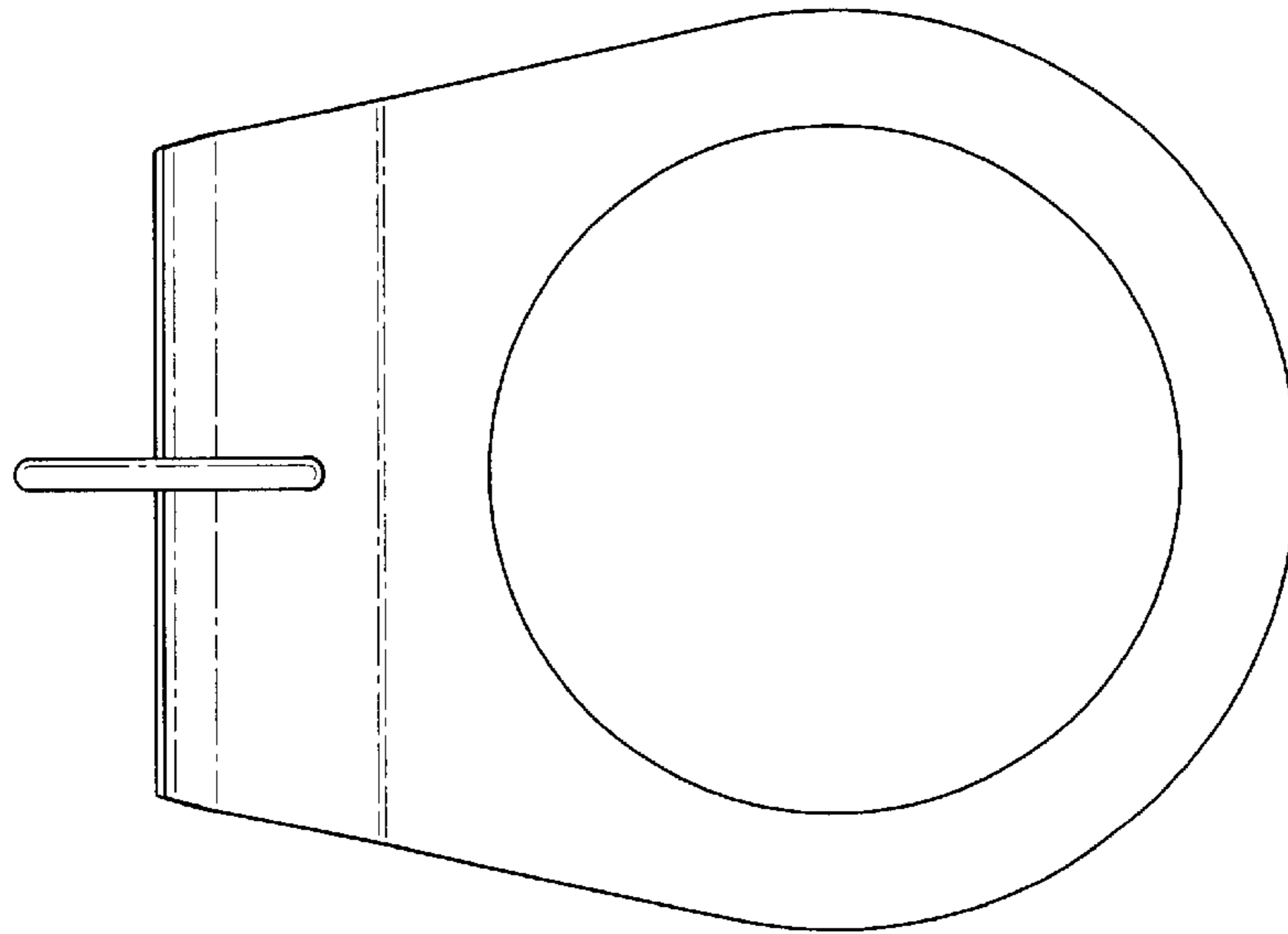


FIG. 5

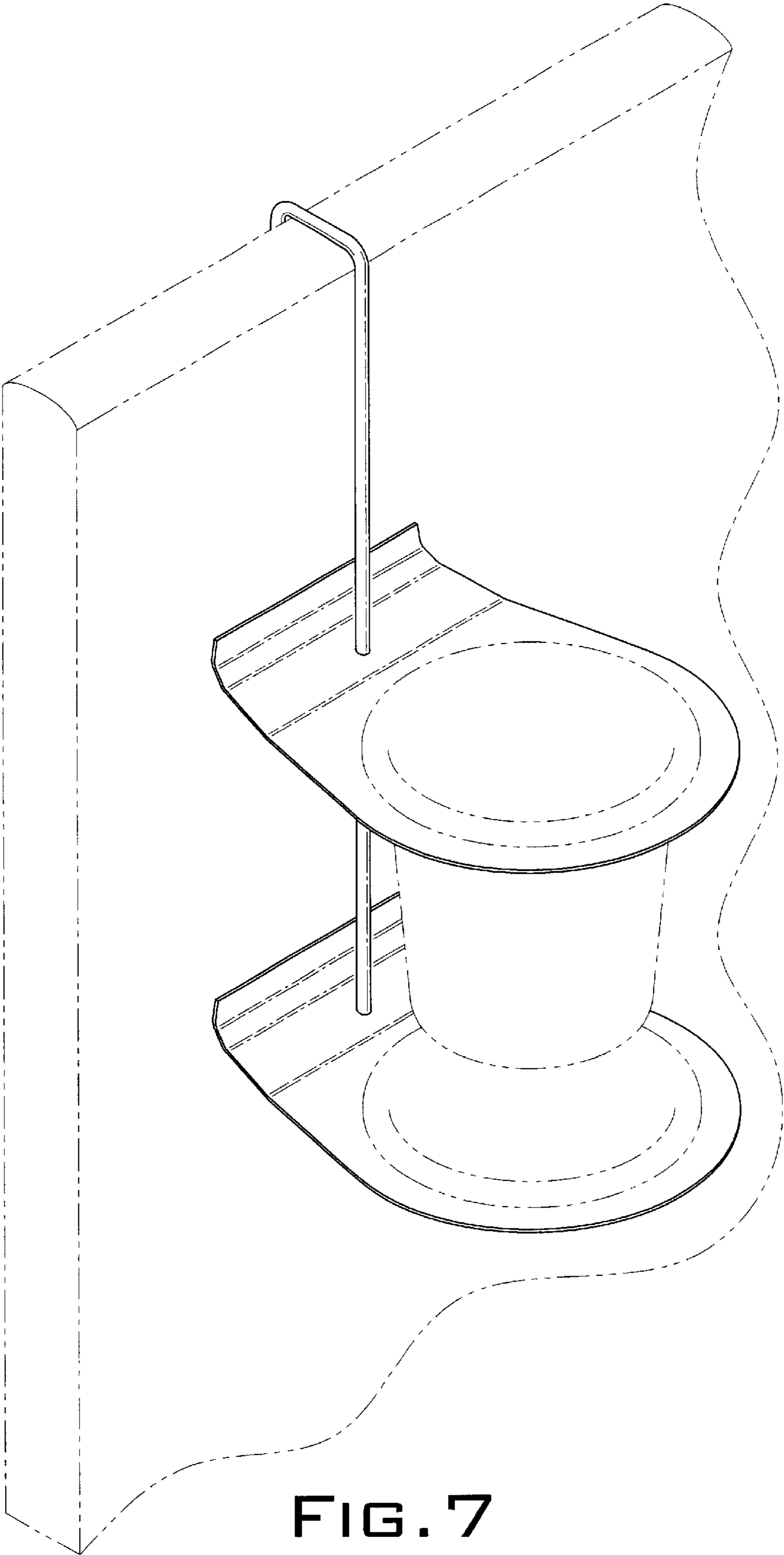


FIG. 7