

US00D503574S

(12) **United States Design Patent**
Yao

(10) **Patent No.:** **US D503,574 S**

(45) **Date of Patent:** **** Apr. 5, 2005**

(54) **DRAWER ORGANIZER**

(76) **Inventor:** **Yu Cheng Yao**, No. 486, Wucyuan S.
Rd., South District, Taichung City (TW)

(**) **Term:** **14 Years**

(21) **Appl. No.:** **29/210,173**

(22) **Filed:** **Jul. 27, 2004**

(51) **LOC (7) Cl.** **06-06**

(52) **U.S. Cl.** **D6/510; D6/475; D19/75;**
D7/637

(58) **Field of Search** **D6/510, 511, 475,**
D6/476; D7/637, 641; D19/75, 77, 92;
206/214, 371, 553; 211/69.1

(56) **References Cited**

U.S. PATENT DOCUMENTS

| | | | | | |
|------------|---|---------|----------------|-------|--------|
| D132,963 S | * | 7/1942 | Salomon | | D6/510 |
| D238,536 S | * | 1/1976 | Scherzer | | D6/510 |
| D278,253 S | * | 4/1985 | Evenson | | D19/75 |
| D331,191 S | * | 11/1992 | Ventola et al. | | D9/737 |
| D382,595 S | * | 8/1997 | Raines | | D19/78 |

| | | | | | |
|------------|---|---------|----------------|-------|--------|
| D413,217 S | * | 8/1999 | Bidwell et al. | | D6/510 |
| D413,745 S | * | 9/1999 | Bidwell et al. | | D6/510 |
| D414,808 S | * | 10/1999 | Hunt | | D19/75 |
| D421,554 S | * | 3/2000 | Govrik et al. | | D7/637 |

* cited by examiner

Primary Examiner—Cathron Brooks

(74) *Attorney, Agent, or Firm*—Pro-Techtor International Services

(57) **CLAIM**

The ornamental design for a drawer organizer, as shown and as described.

DESCRIPTION

FIG. 1 is a perspective view of a drawer organizer showing my design.

FIG. 2 is a right view thereof.

FIG. 3 is a top view thereof.

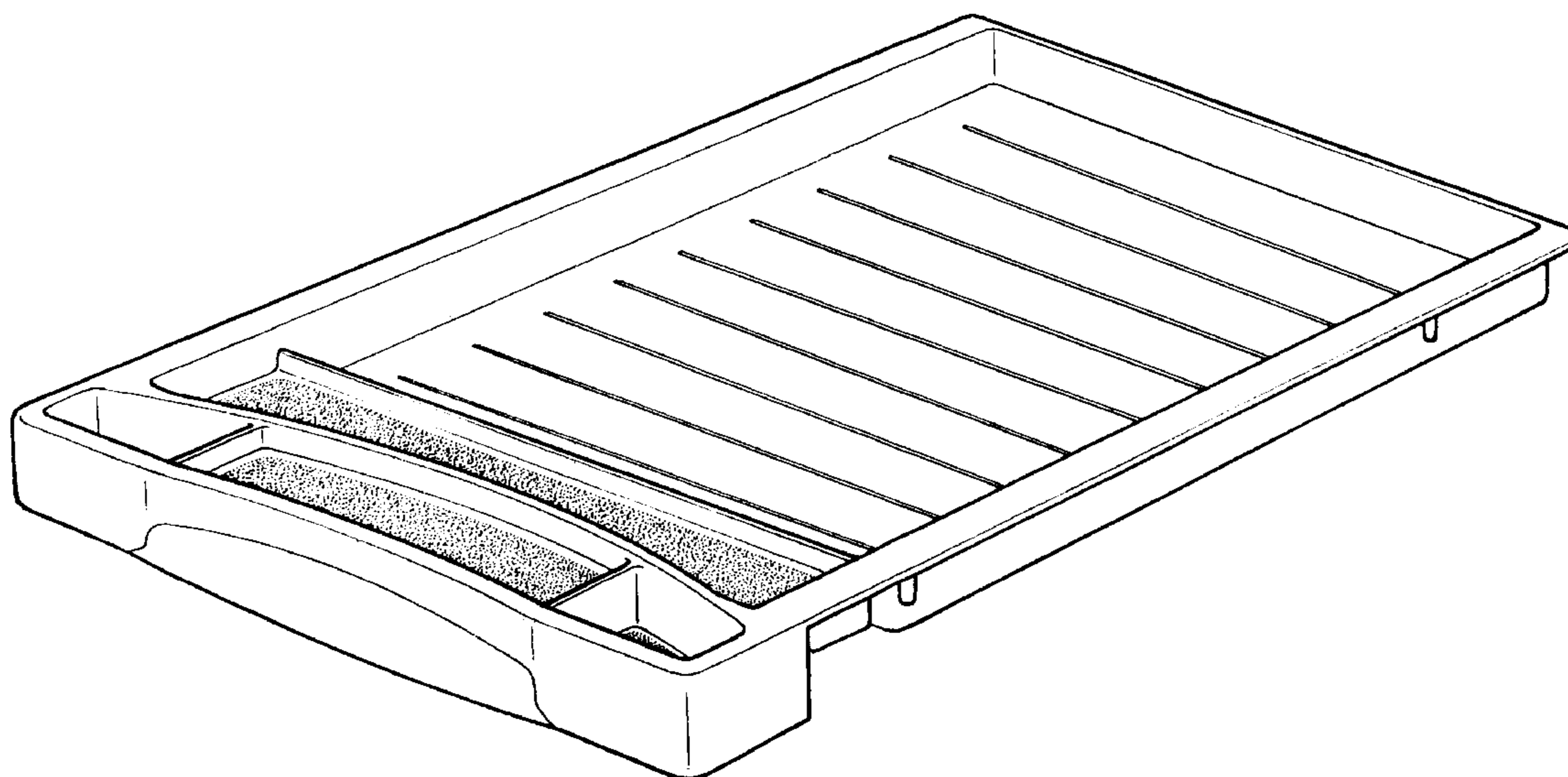
FIG. 4 is a front side view thereof.

FIG. 5 is a bottom side view thereof.

FIG. 6 is a left view thereof; and,

FIG. 7 is a rear view thereof.

1 Claim, 5 Drawing Sheets



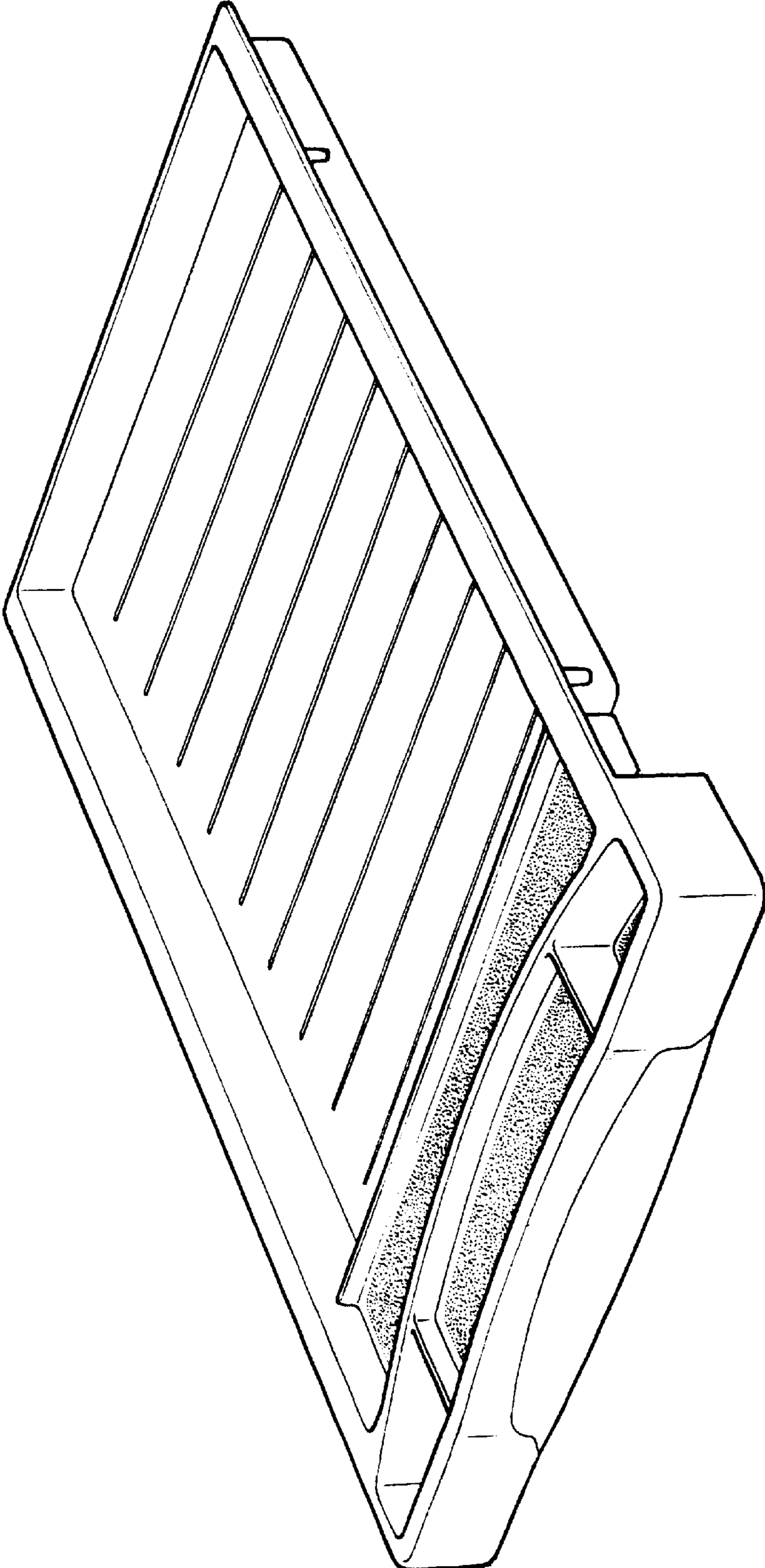
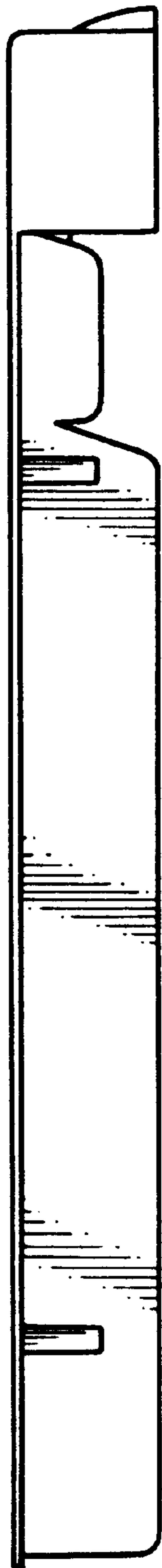


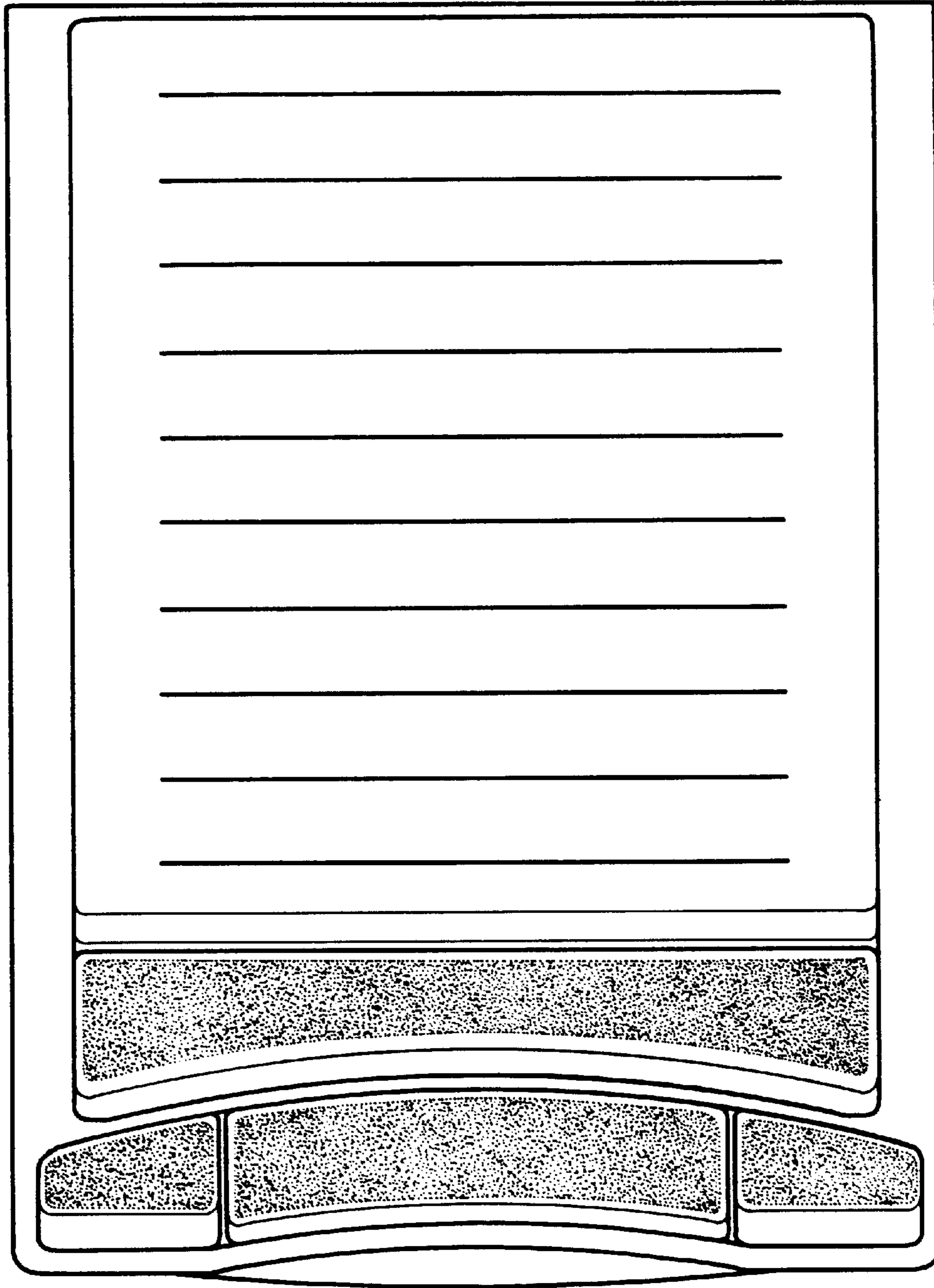
FIG. 1



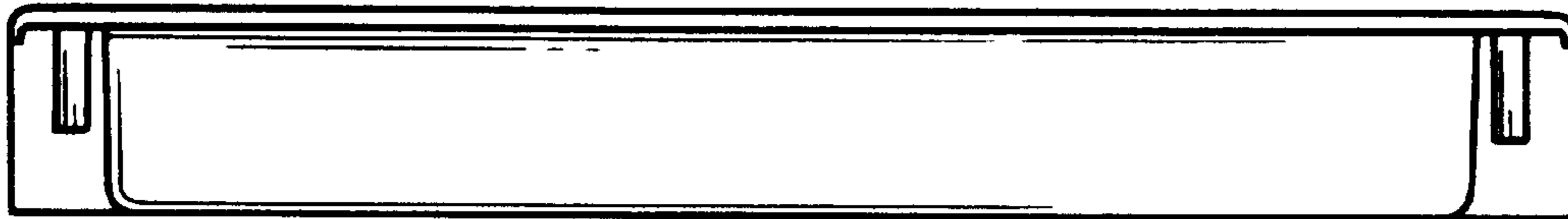
FIG, 6



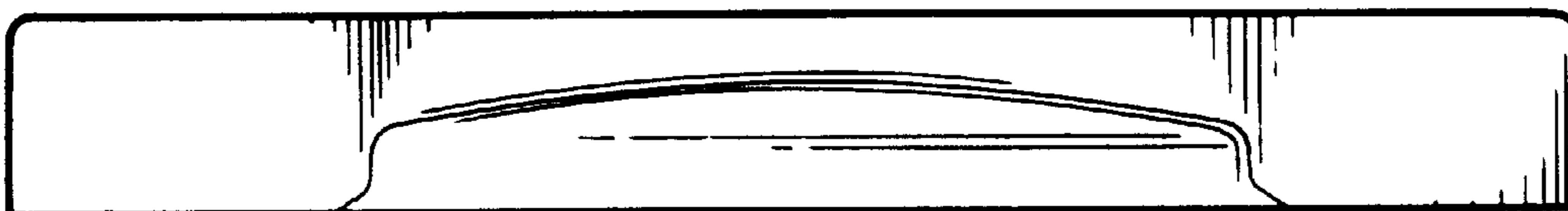
FIG, 2



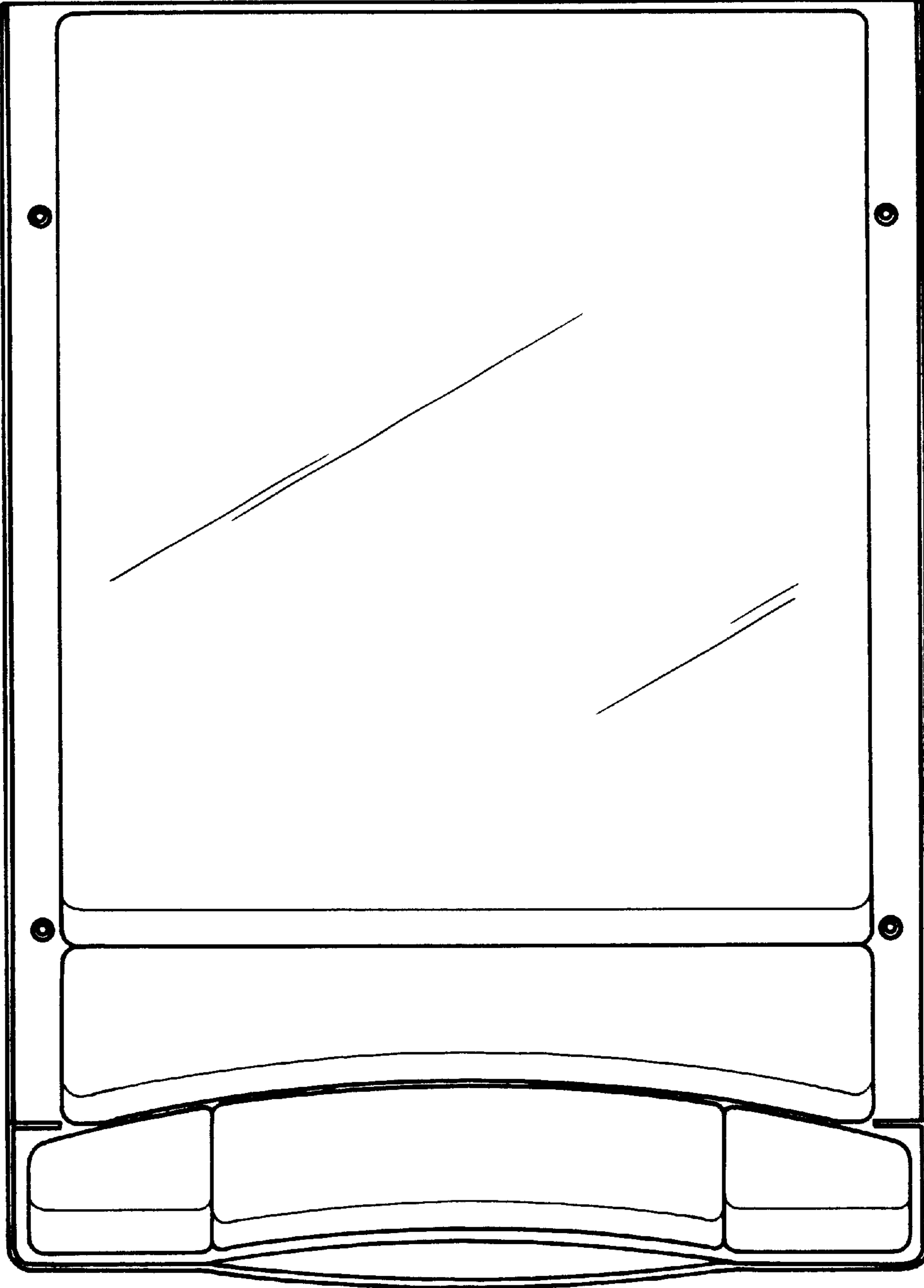
FIG,3



FIG, 7



FIG, 4



FIG, 5