

US00D503570S

(12) **United States Design Patent**
Anderson et al.

(10) **Patent No.:** **US D503,570 S**
(45) **Date of Patent:** **** Apr. 5, 2005**

(54) **WORK BENCH**

D372,602 S * 8/1996 Richardson D6/429

(75) Inventors: **Torrence Anderson**, Overland Park, KS (US); **Brian Moon**, DeKalb, IL (US)

OTHER PUBLICATIONS

Global, c1988, p. 12, #A work bench at top left.*

(73) Assignee: **Suncast Corporation**, Batavia, IL (US)

* cited by examiner

(**) Term: **14 Years**

Primary Examiner—Janice E. Seeger

(74) *Attorney, Agent, or Firm*—McHale & Slavin, P.A.

(21) Appl. No.: **29/195,677**

(57) **CLAIM**

(22) Filed: **Dec. 15, 2003**

The ornamental design for a work bench, as shown and described.

(51) **LOC (7) Cl.** **06-03**

(52) **U.S. Cl.** **D6/480**; D6/400; D6/349

(58) **Field of Search** D6/480-489, 511,
D6/400, 495-499, 429, 349; 108/150, 153.1,
155, 156, 157.1, 161, 115; 248/188, 188.1,
188.8

DESCRIPTION

FIG. 1 is a perspective view of the work bench of the instant invention;

FIG. 2 is a left side view thereof;

FIG. 3 is a right side view thereof;

FIG. 4 is a front plane view thereof;

FIG. 5 is a rear plane view thereof;

FIG. 6 is a top view thereof; and,

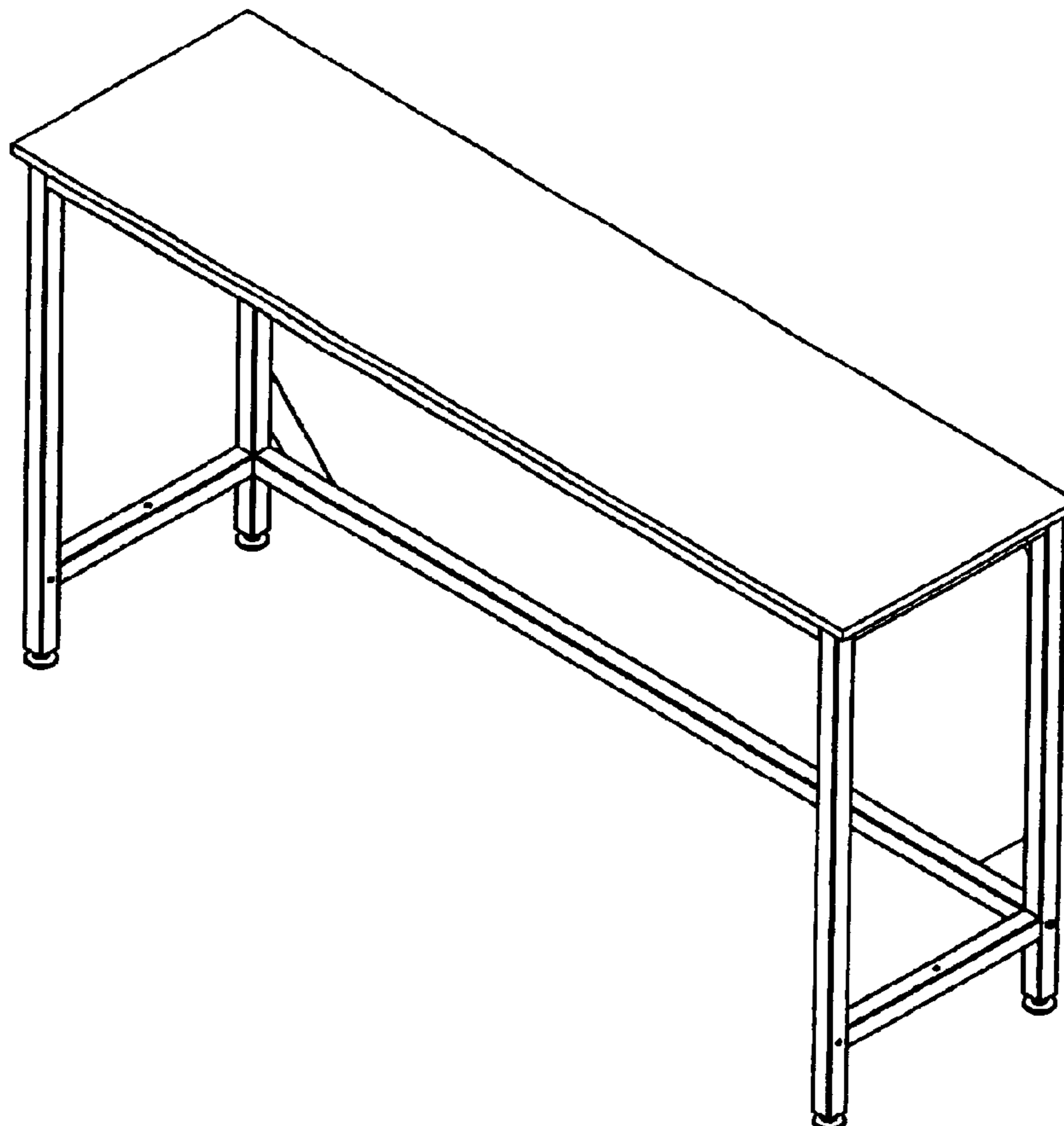
FIG. 7 is a bottom view thereof.

(56) **References Cited**

U.S. PATENT DOCUMENTS

2,972,506	A	*	2/1961	Haag	108/64
3,580,652	A	*	5/1971	Nielsen	312/208.1
D228,107	S	*	8/1973	Klotz et al.	D6/484
4,341,164	A	*	7/1982	Johnson	108/67

1 Claim, 5 Drawing Sheets



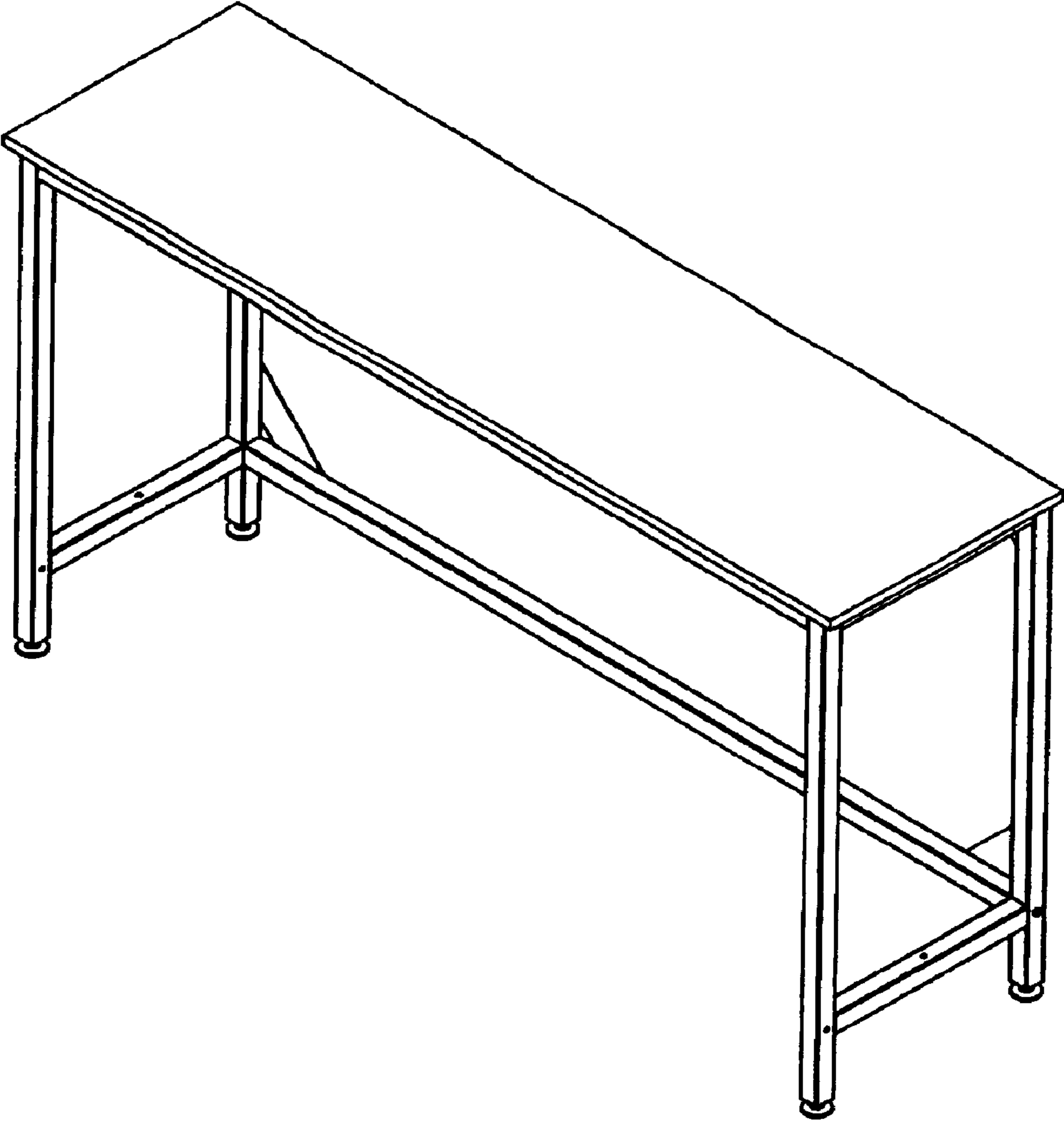


FIGURE 1

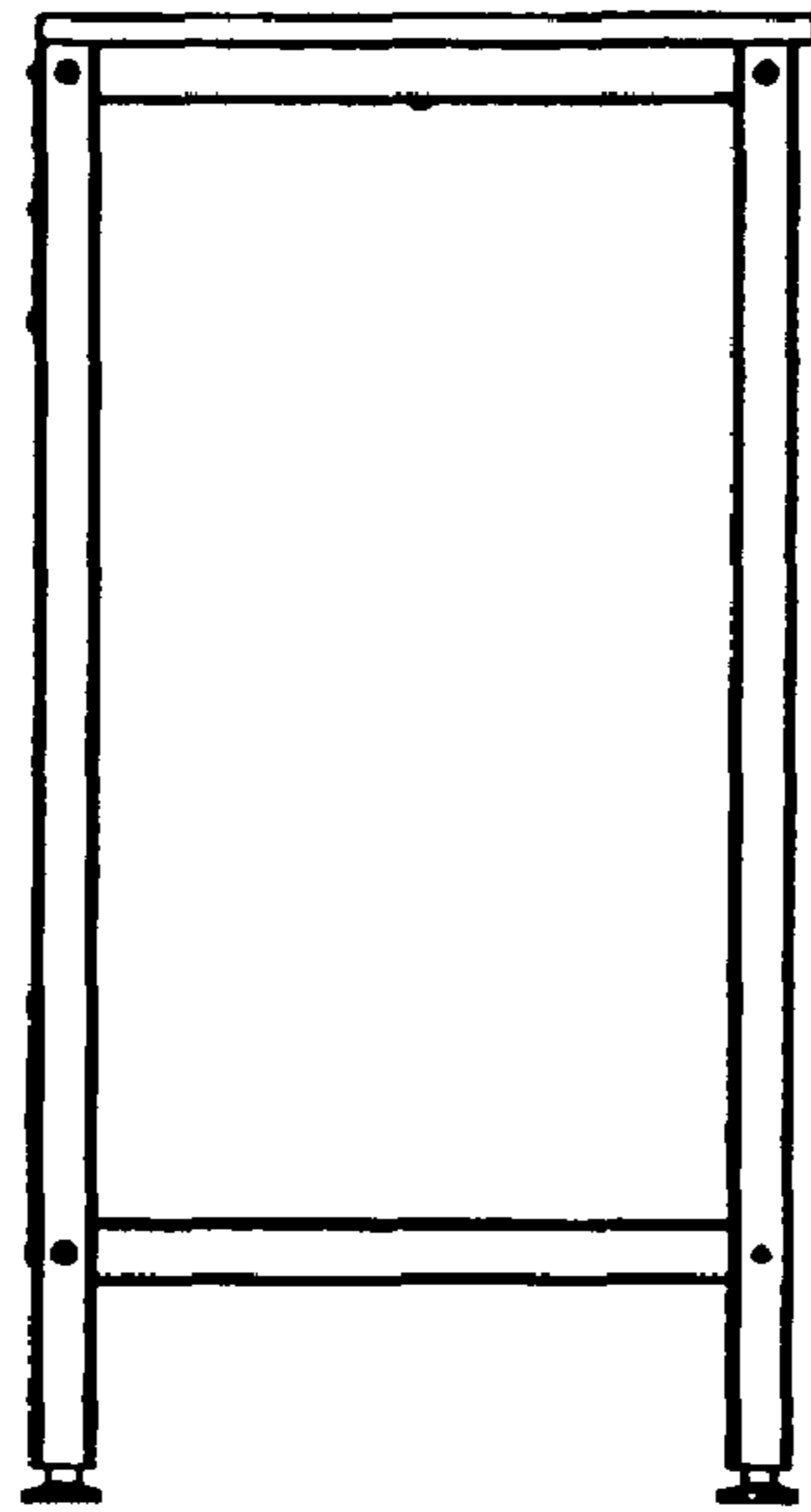


FIGURE 2

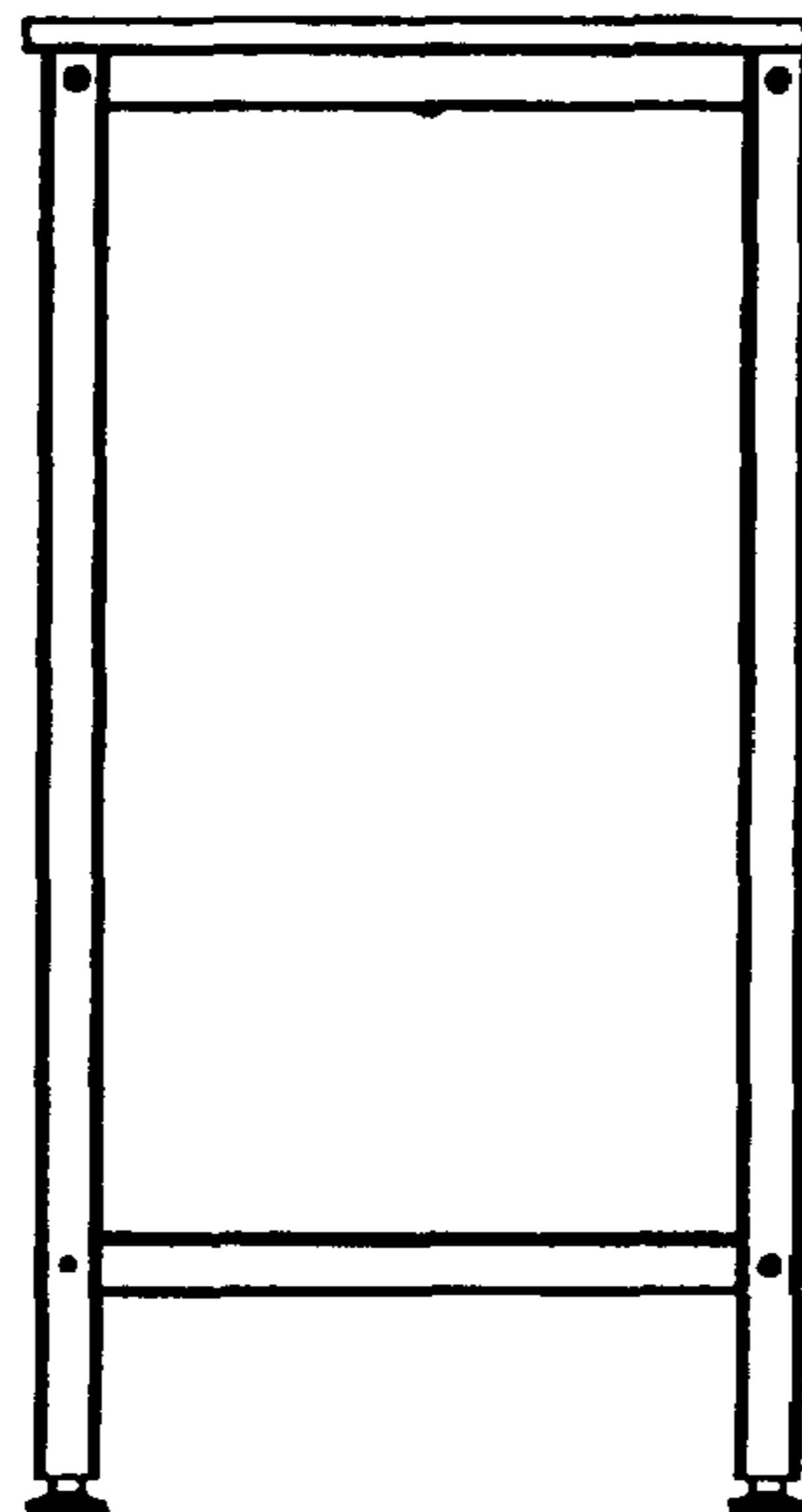


FIGURE 3

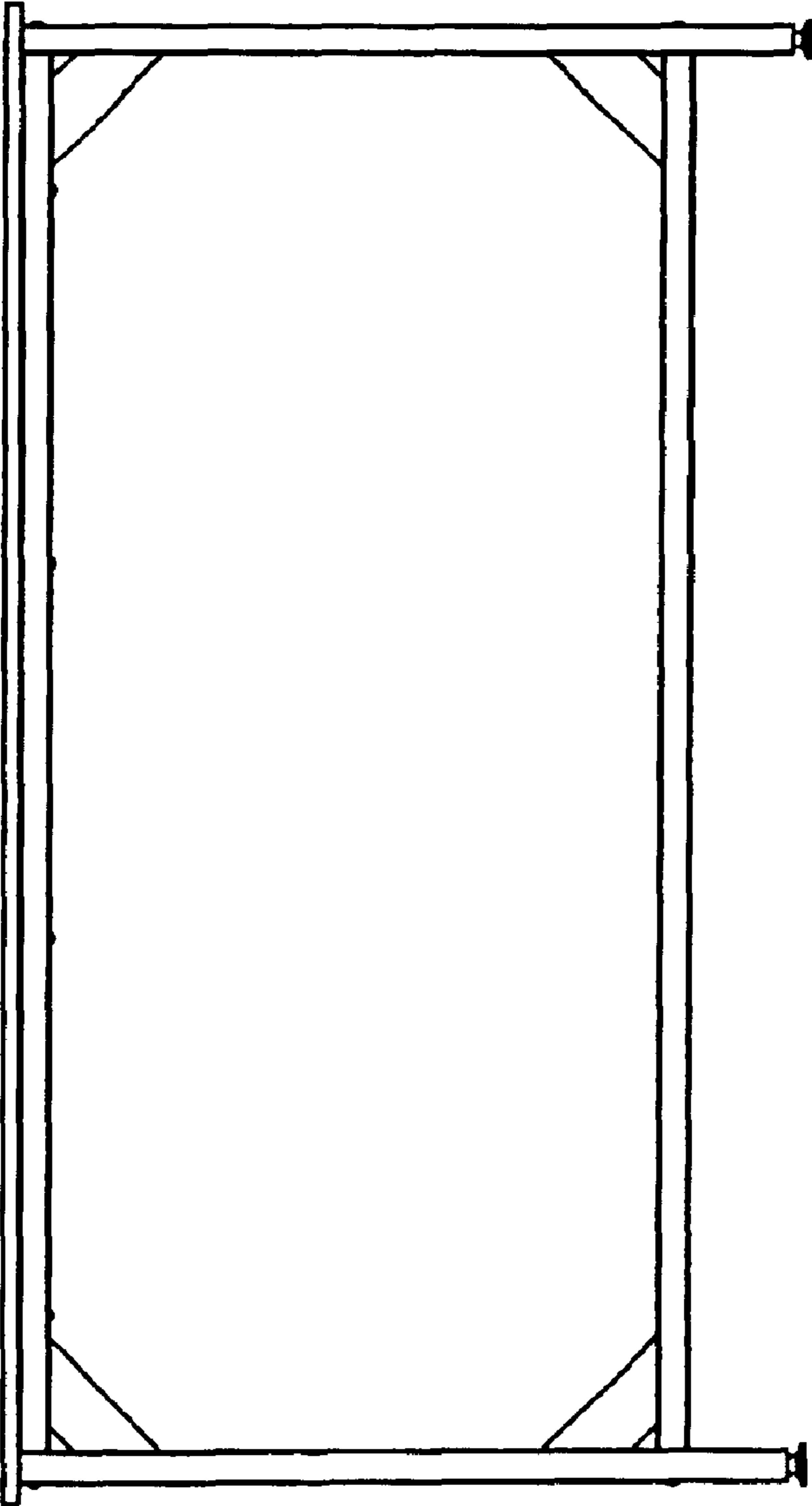


FIGURE 4

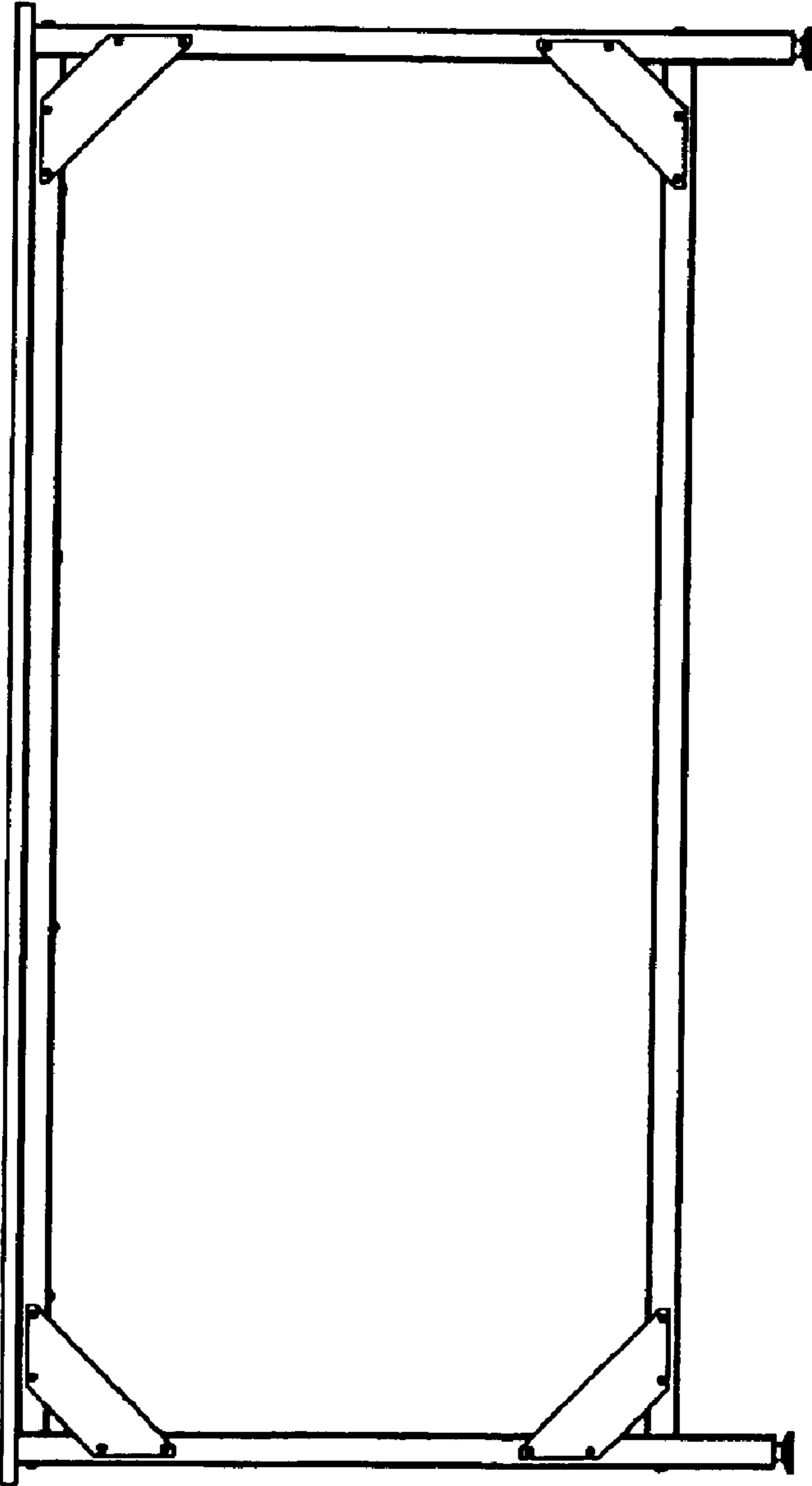


FIGURE 5

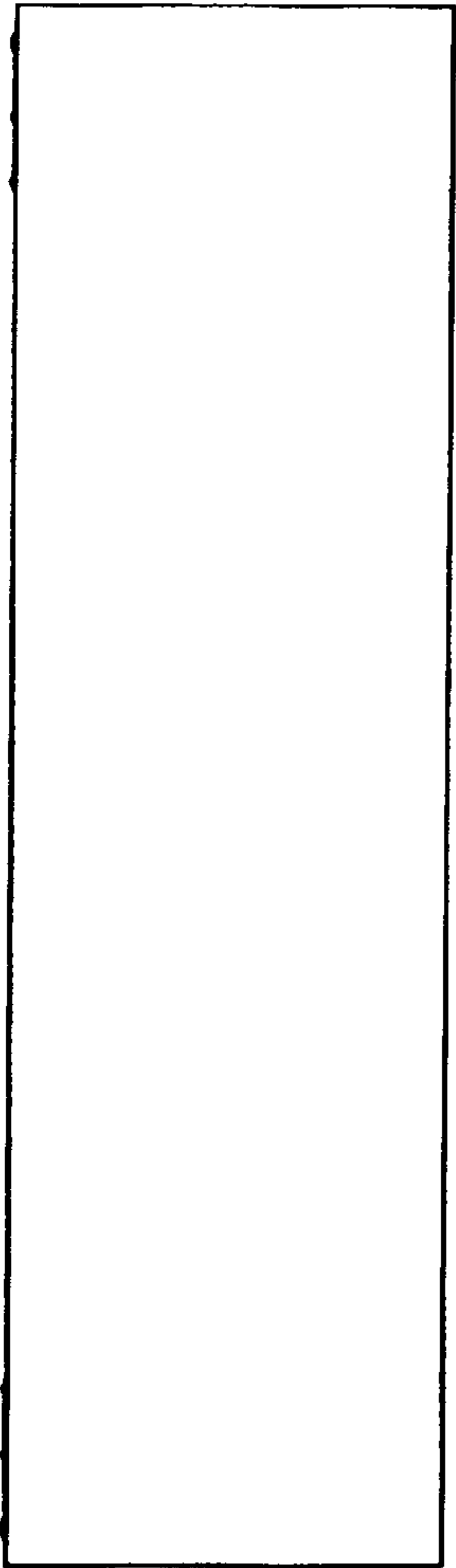


FIGURE 6

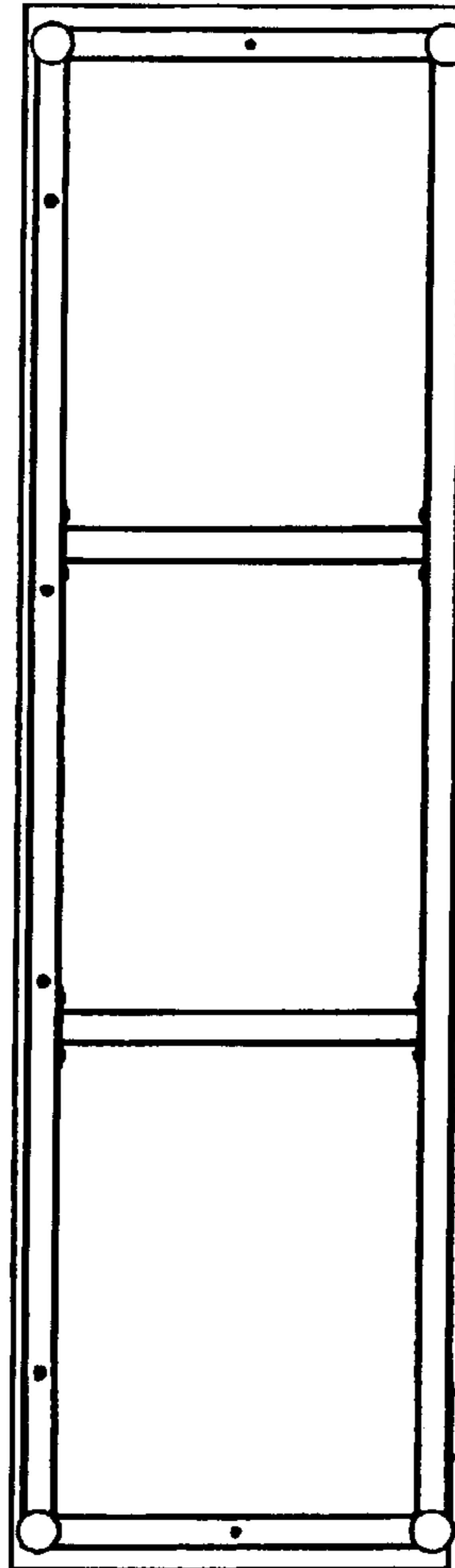


FIGURE 7