

US00D503569S

(12) **United States Design Patent**
Lenger

(10) **Patent No.: US D503,569 S**

(45) **Date of Patent: ** Apr. 5, 2005**

(54) **LEANING BOOKCASE**

D433,846 S * 11/2000 Chang D6/474
D459,117 S * 6/2002 Singh D6/474

(75) Inventor: **Sidney A. Lenger**, Kernersville, NC
(US)

(73) Assignee: **American Signature, Inc.**, Columbus,
OH (US)

(**) Term: **14 Years**

(21) Appl. No.: **29/196,268**

(22) Filed: **Dec. 22, 2003**

Related U.S. Application Data

(62) Division of application No. 29/190,664, filed on Sep. 24,
2003, now Pat. No. Des. 492,861, which is a division of
application No. 29/186,183, filed on Jul. 11, 2003, now Pat.
No. Des. 491,384.

(51) **LOC (7) Cl.** **06-04**

(52) **U.S. Cl.** **D6/474**

(58) **Field of Search** D6/477-479, 474;
108/59, 60, 91, 92, 147.11, 149; 211/153,
186, 188, 194; 312/9.1, 7.2, 223.1

(56) **References Cited**

U.S. PATENT DOCUMENTS

D109,291 S * 4/1938 Beyrle D6/473
D262,076 S * 12/1981 Pracon D6/407
D302,083 S * 7/1989 Walter D6/413
D364,763 S * 12/1995 Sielaff D6/479

OTHER PUBLICATIONS

Vitrashop Catalog, Leaning Shelves, Innovations '87 Box,
Dec. 1987.*

Crate and Barrel Catalog, Leaning Bookcase, p. 36, Fall
2002.*

Spiegel Catalog, Picket Fence Shelf, p. 390, Spr. Sum.
2000.*

* cited by examiner

Primary Examiner—Cathron C. Brooks

(74) *Attorney, Agent, or Firm*—Wood Herron & Evans,
LLP

(57) **CLAIM**

The ornamental design for the leaning bookcase, as shown
and described.

DESCRIPTION

FIG. 1 is a perspective view of a leaning bookcase incor-
porating my new design.

FIG. 2 is a front elevational view thereof;

FIG. 3 is a right-side elevational view thereof;

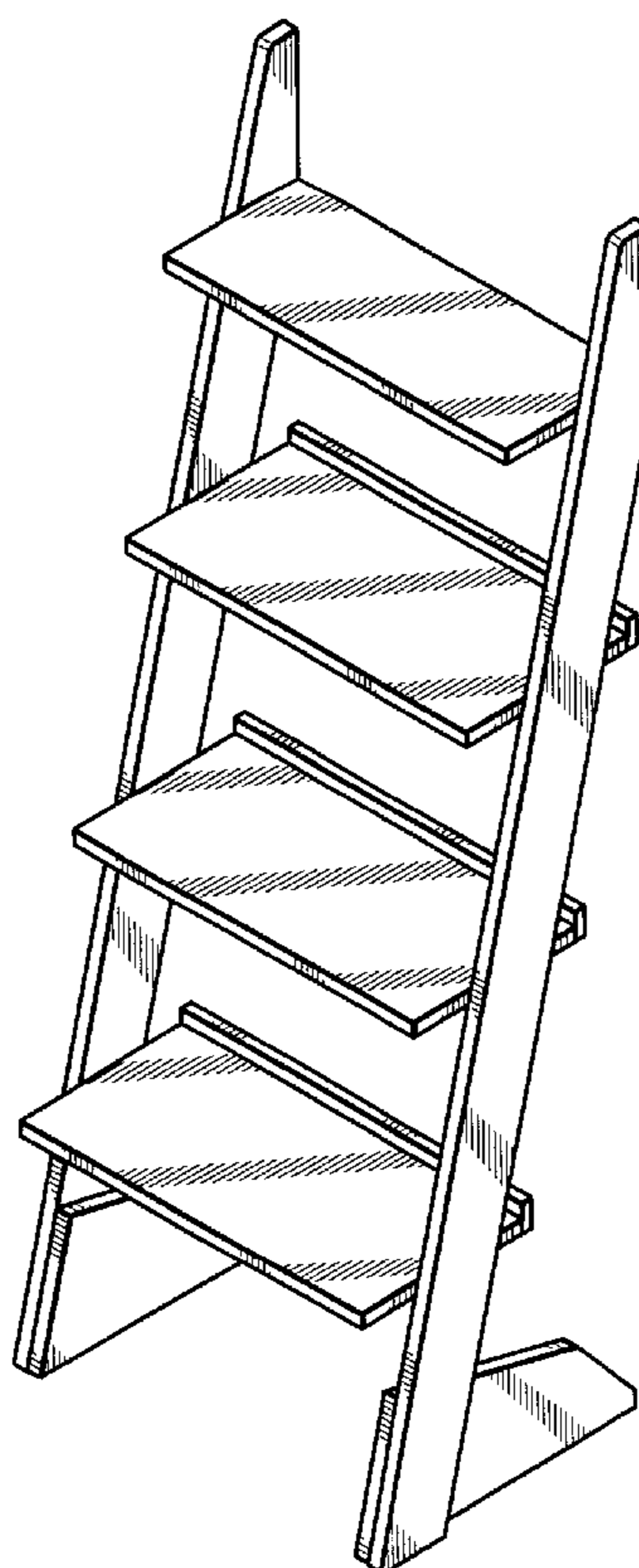
FIG. 4 is a rear elevational view thereof;

FIG. 5 is a left-side elevational view thereof;

FIG. 6 is a top plan view thereof; and,

FIG. 7 is a bottom plan view thereof.

1 Claim, 2 Drawing Sheets



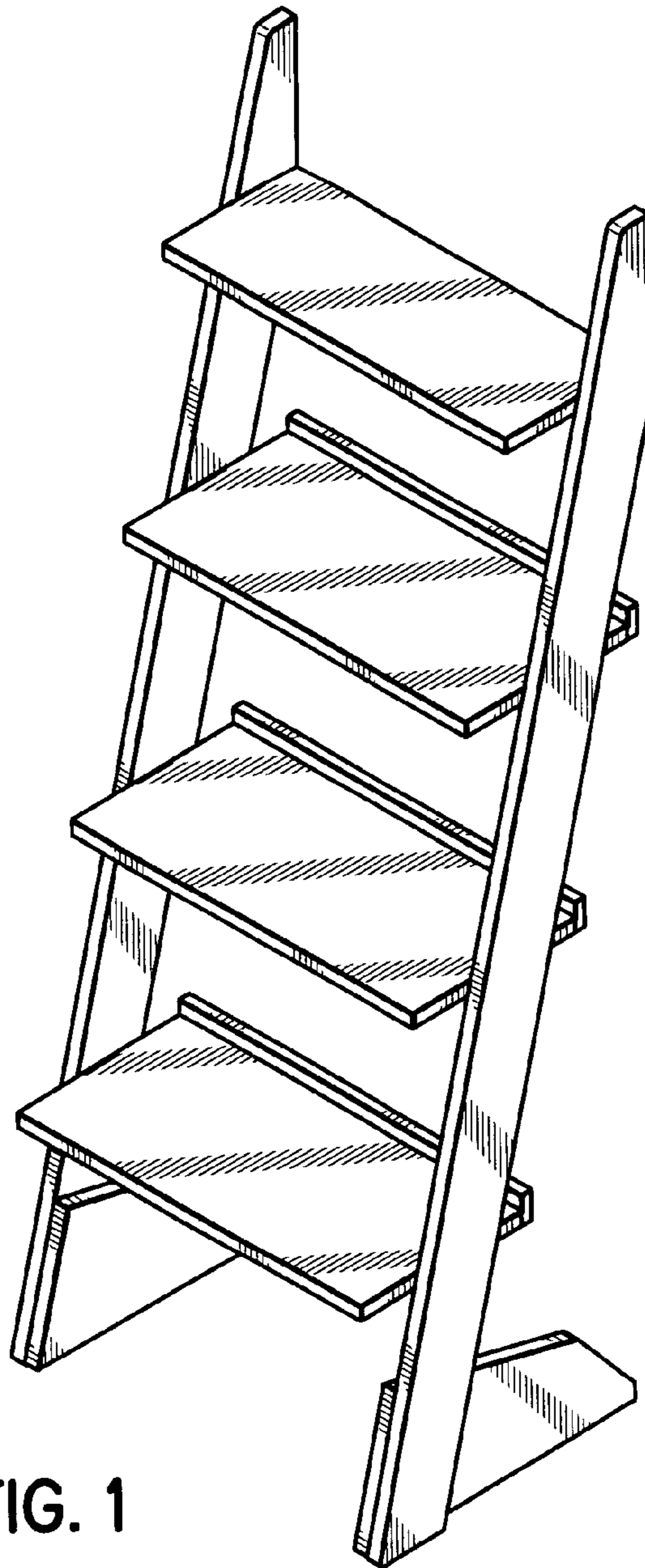


FIG. 1

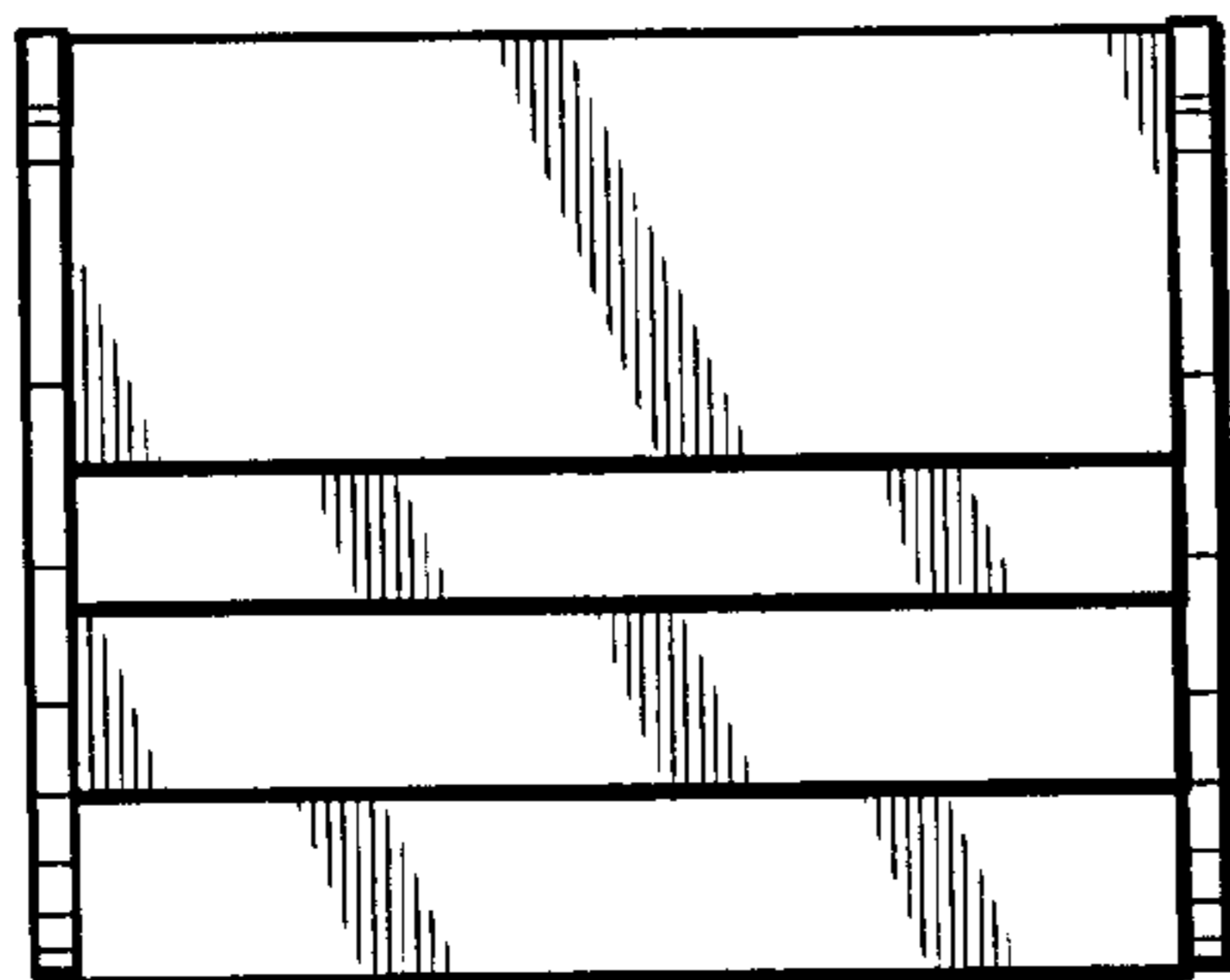


FIG. 6

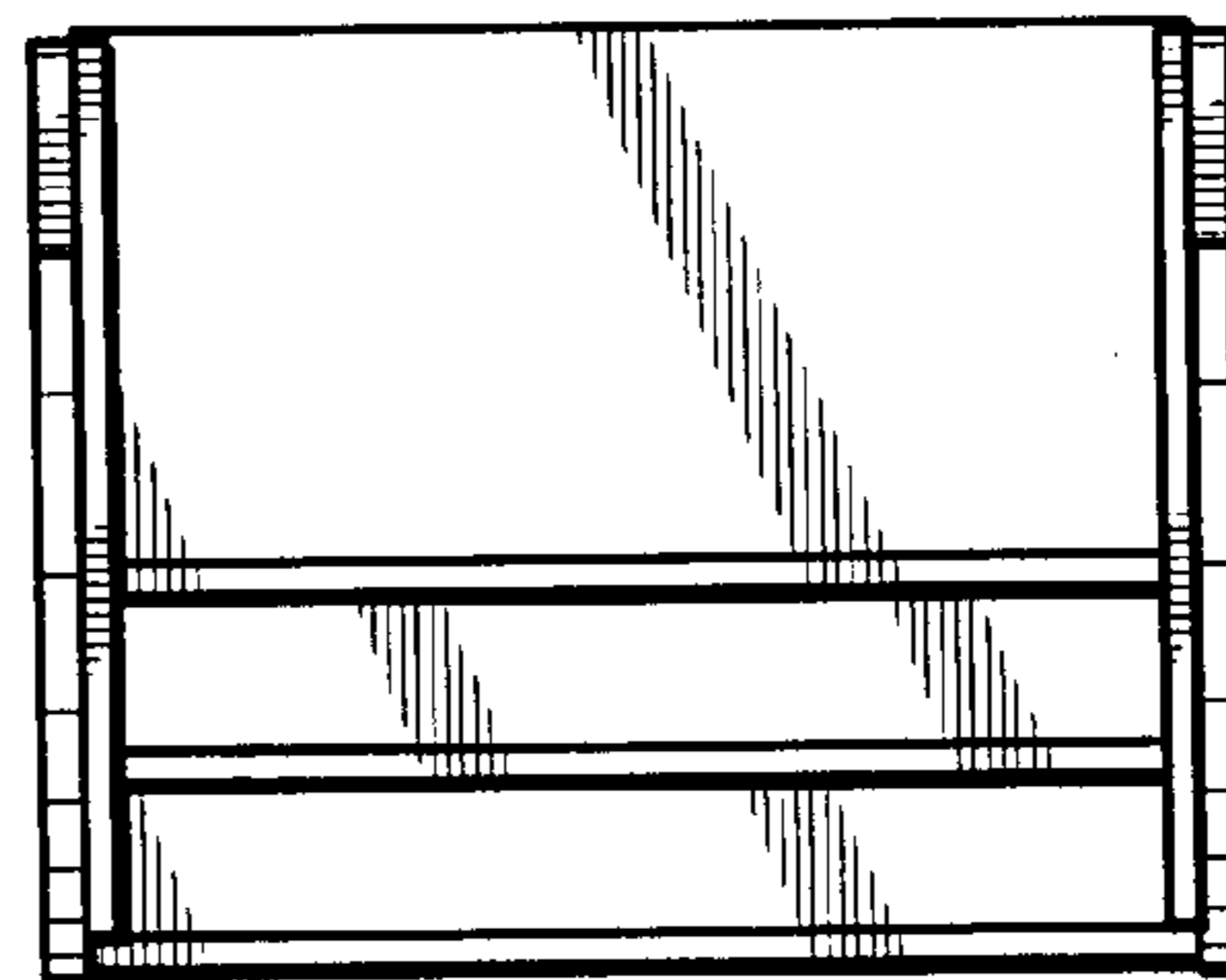


FIG. 7

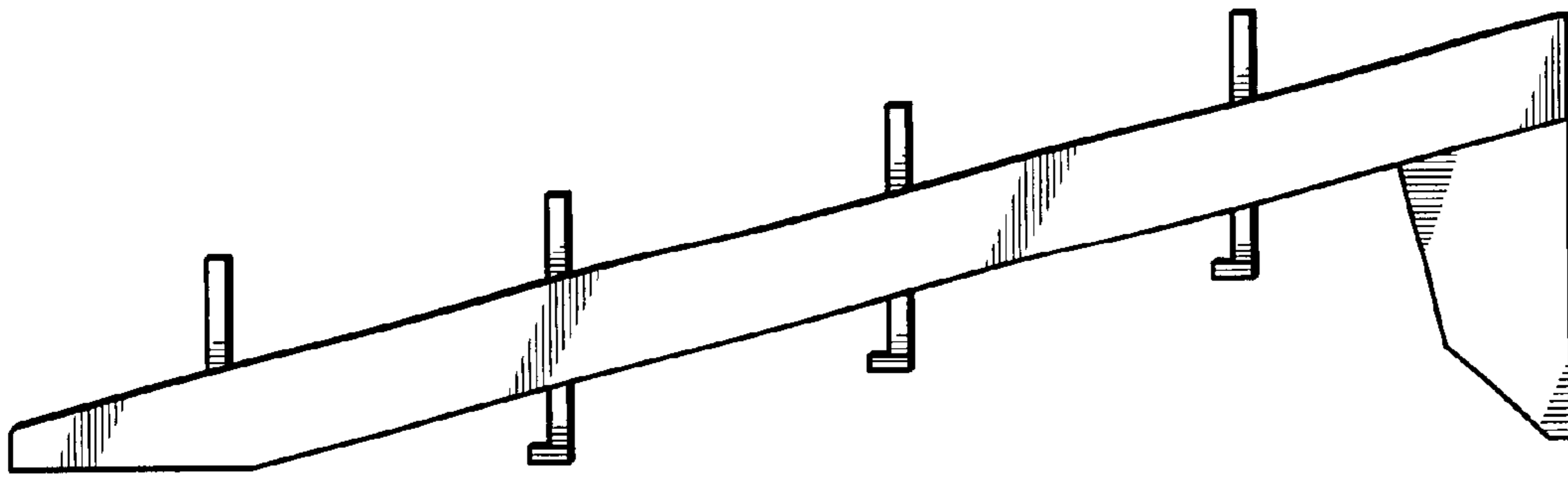


FIG. 5

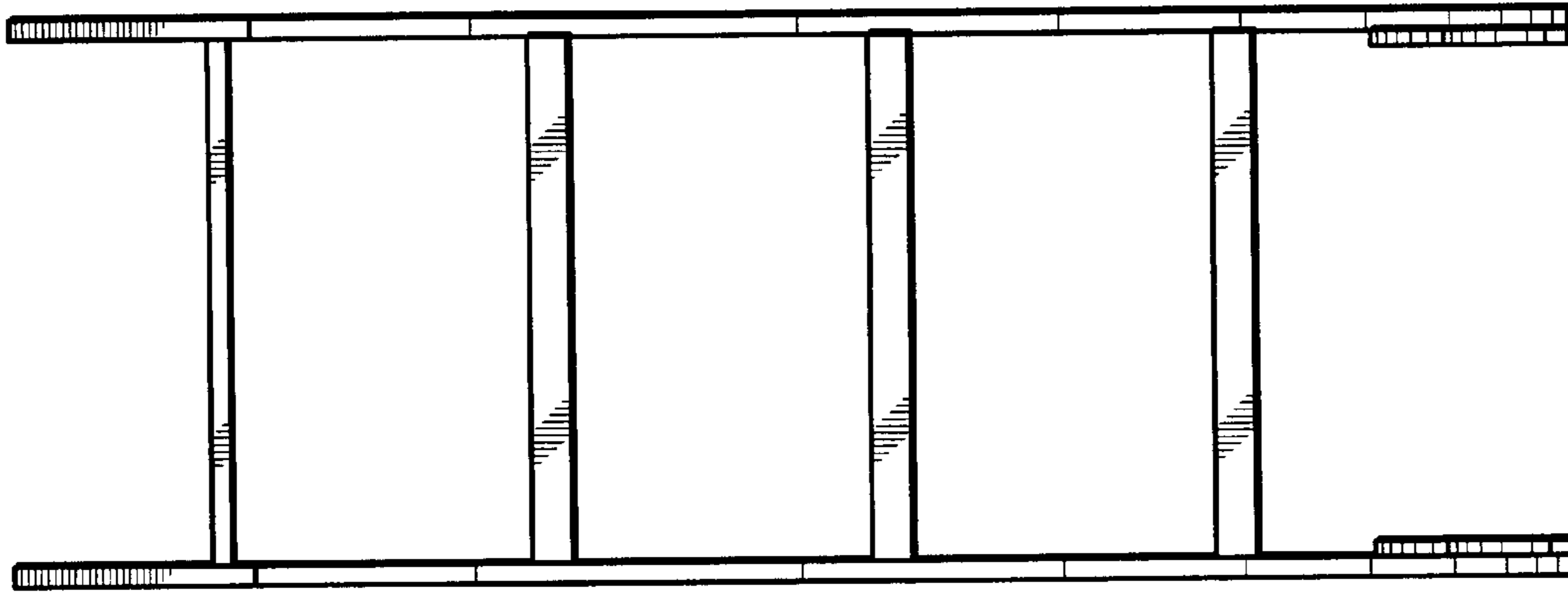


FIG. 4

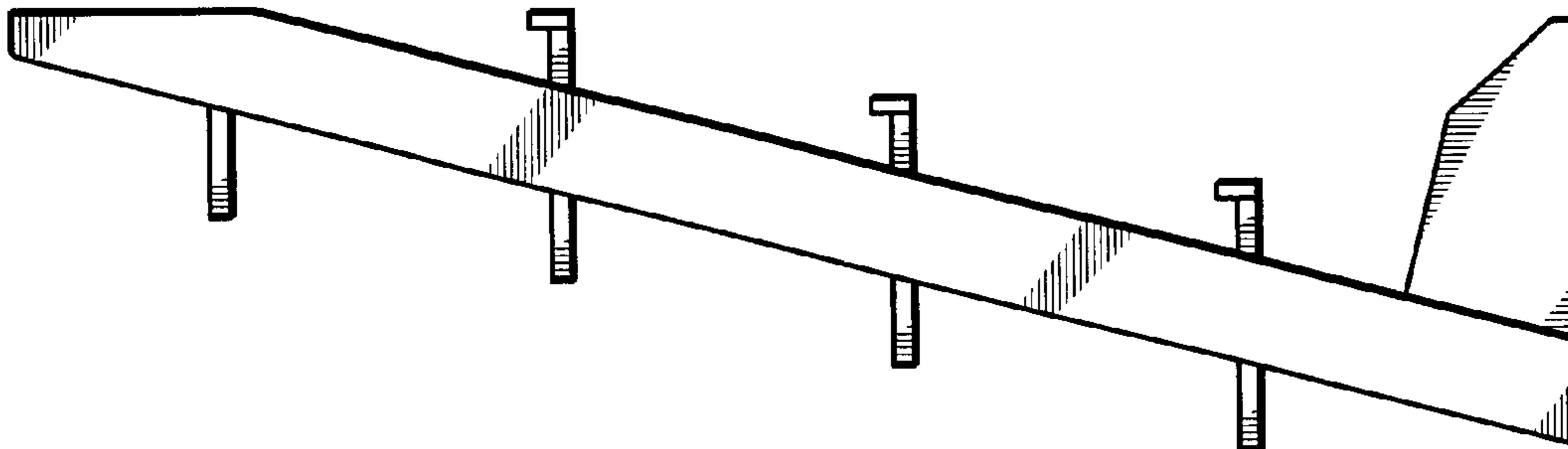


FIG. 3

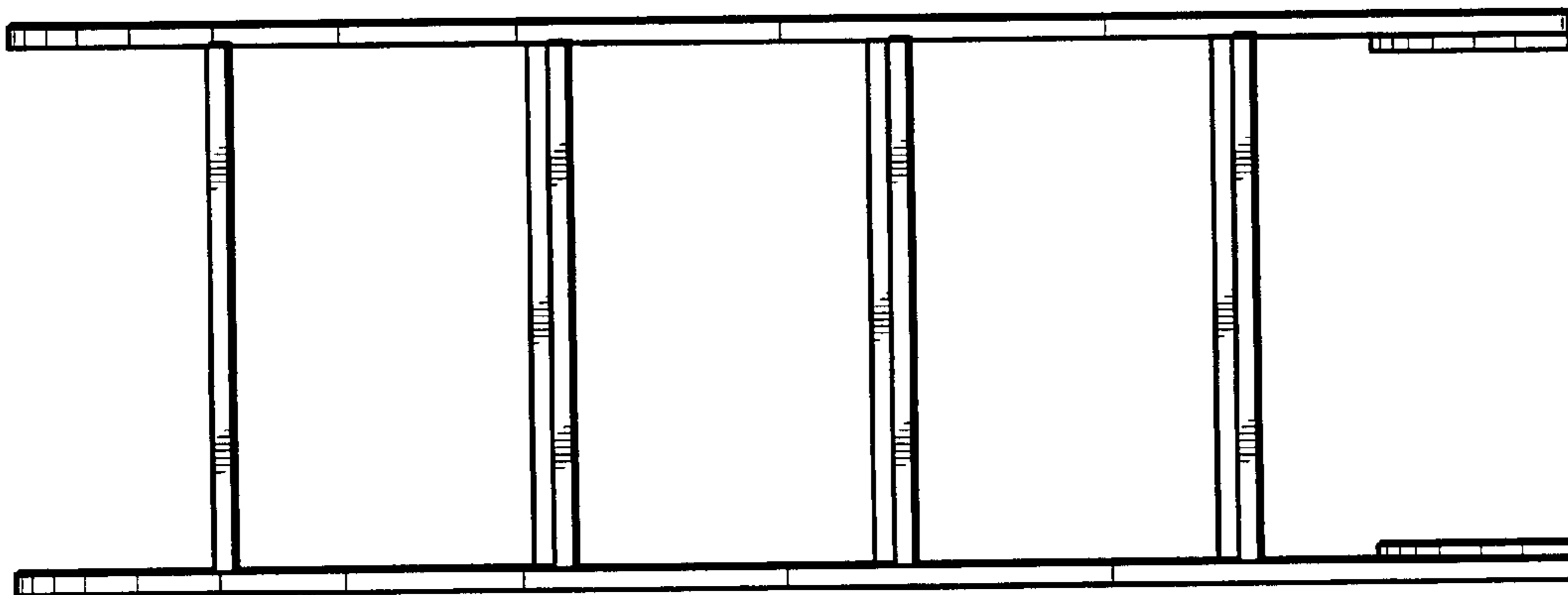


FIG. 2