

US00D503565S

(12) **United States Design Patent**  
**Mohundro**

(10) **Patent No.:** **US D503,565 S**

(45) **Date of Patent:** **\*\* Apr. 5, 2005**

(54) **DRESSER**

D480,897 S \* 10/2003 Wanek et al. .... D6/446

(75) **Inventor:** **James Glenn Mohundro, Taichung (TW)**

(73) **Assignee:** **Pacific Marketing International (H.K.), Ltd., Taichung (TW)**

(\*\*) **Term:** **14 Years**

(21) **Appl. No.:** **29/207,453**

(22) **Filed:** **Jun. 15, 2004**

(51) **LOC (7) Cl.** ..... **06-04**

(52) **U.S. Cl.** ..... **D6/446**

(58) **Field of Search** ..... D6/436-439, 441, D6/444-448; 312/114, 204, 224, 278-279

(56) **References Cited**

**U.S. PATENT DOCUMENTS**

- D272,698 S \* 2/1984 Aulbert et al. .... D6/448
- D374,783 S \* 10/1996 Keller et al. .... D6/444
- D405,984 S \* 2/1999 Zaidman ..... D6/445
- D406,202 S \* 3/1999 Zaidman ..... D6/439
- D412,413 S \* 8/1999 Keller et al. .... D6/445
- D433,845 S \* 11/2000 Wilson et al. .... D6/446

**OTHER PUBLICATIONS**

Furniture Today, Shermag dresser, p. 101, Oct. 11, 1999.\*  
Furniture Today, Pennsylvania House dresser, p. 110, Apr. 15, 2002.\*

\* cited by examiner

*Primary Examiner*—Cathron Brooks

(74) *Attorney, Agent, or Firm*—Rosenberg, Klein & Lee

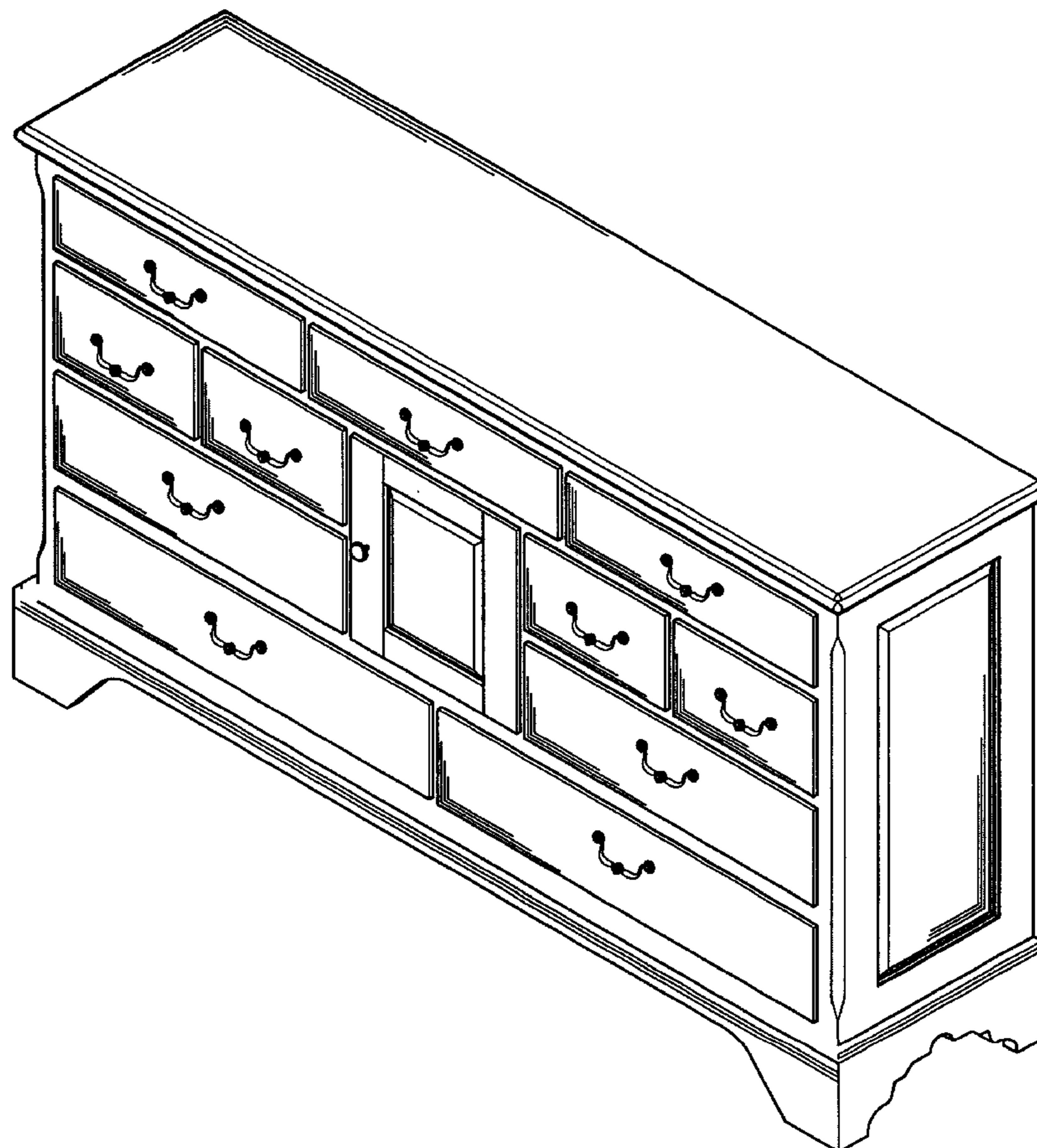
(57) **CLAIM**

The ornamental design for a dresser, as shown and described.

**DESCRIPTION**

FIG. 1 is a front-top perspective view of a dresser, showing my new design;  
FIG. 2 is a front elevational view thereof;  
FIG. 3 is a rear elevational view thereof;  
FIG. 4 is a left elevational view thereof;  
FIG. 5 is a right elevational view thereof;  
FIG. 6 is a top plan view thereof; and,  
FIG. 7 is a bottom plan view thereof.

**1 Claim, 6 Drawing Sheets**



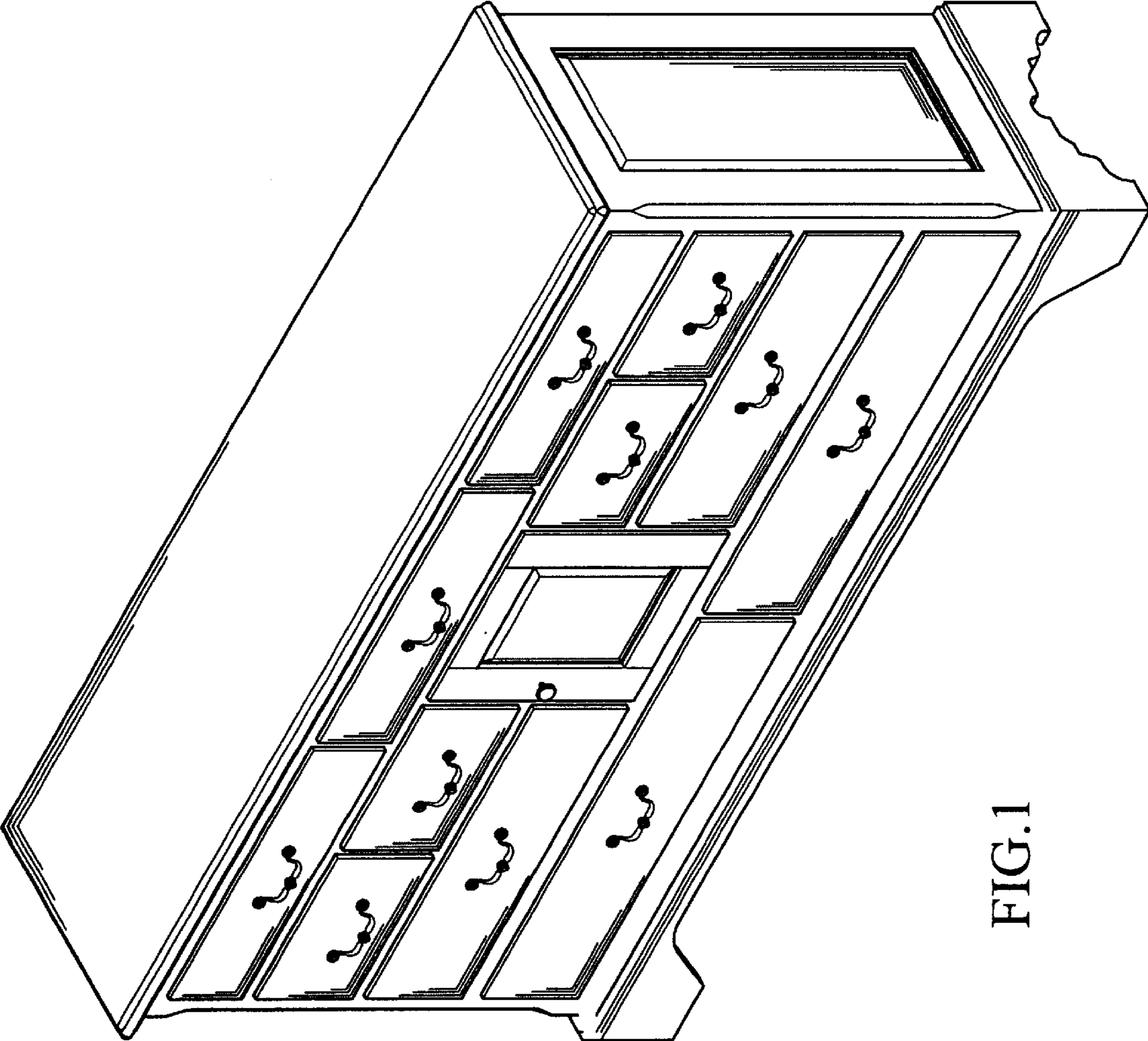


FIG.1

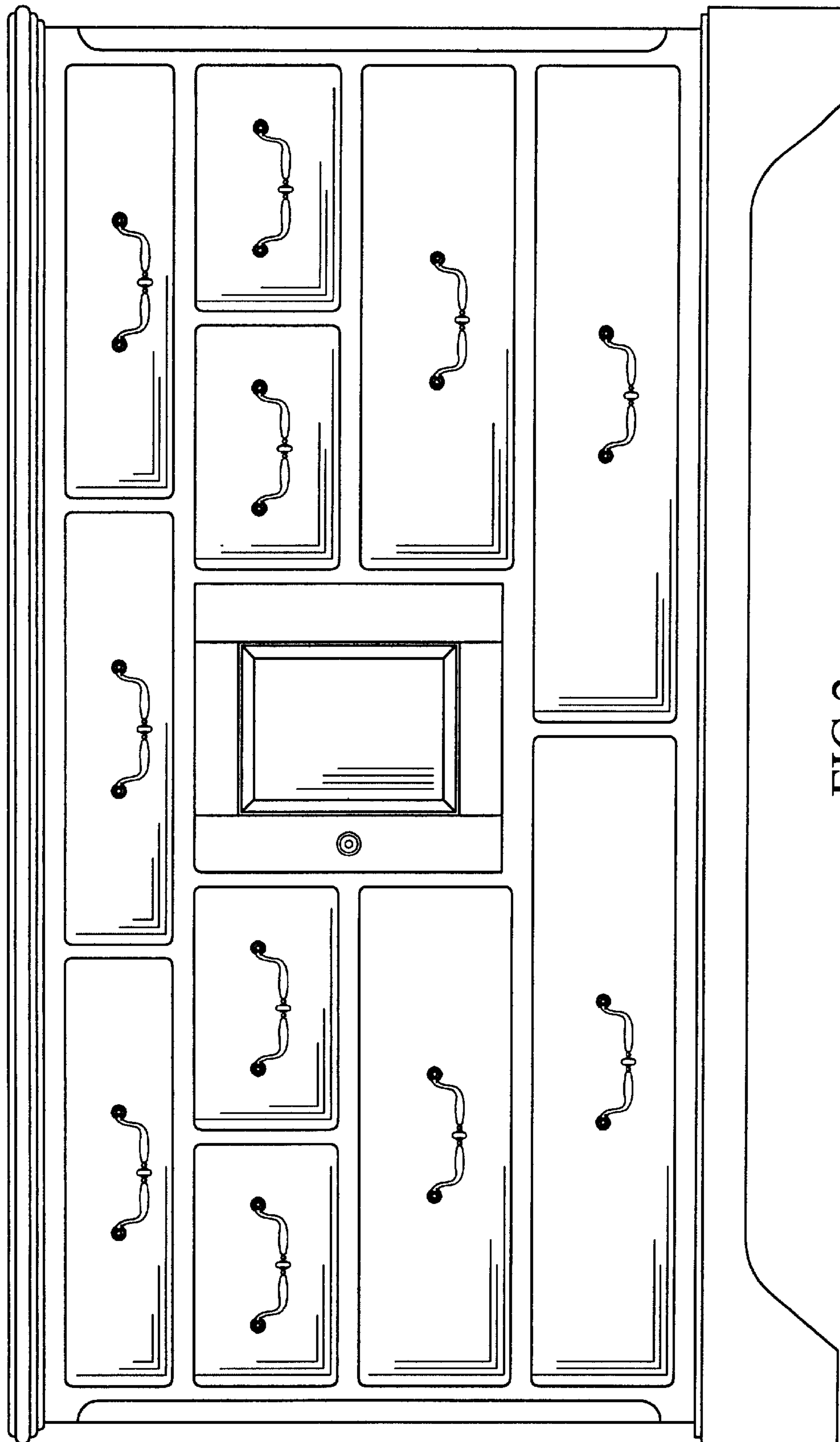


FIG.2

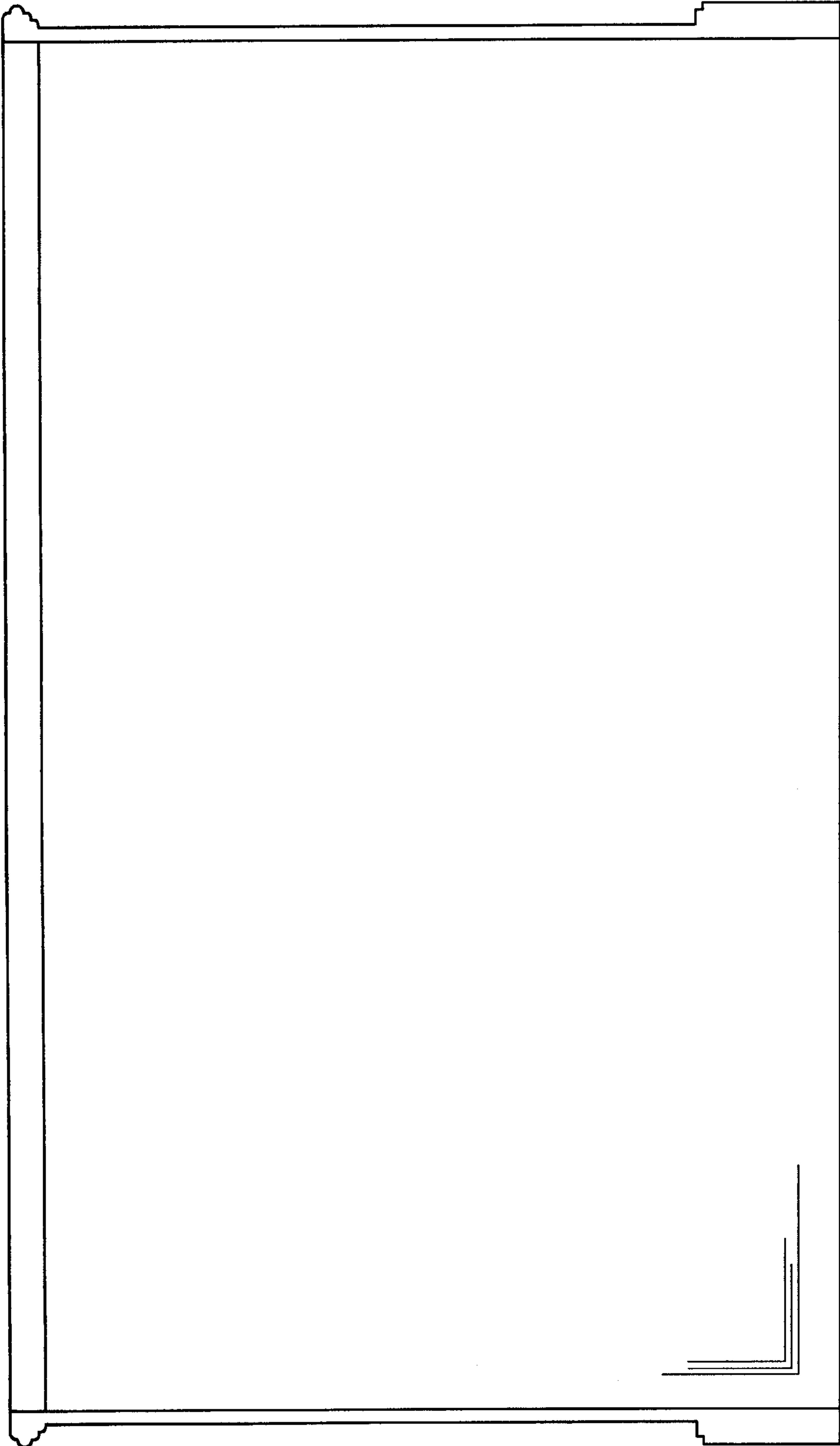


FIG.3

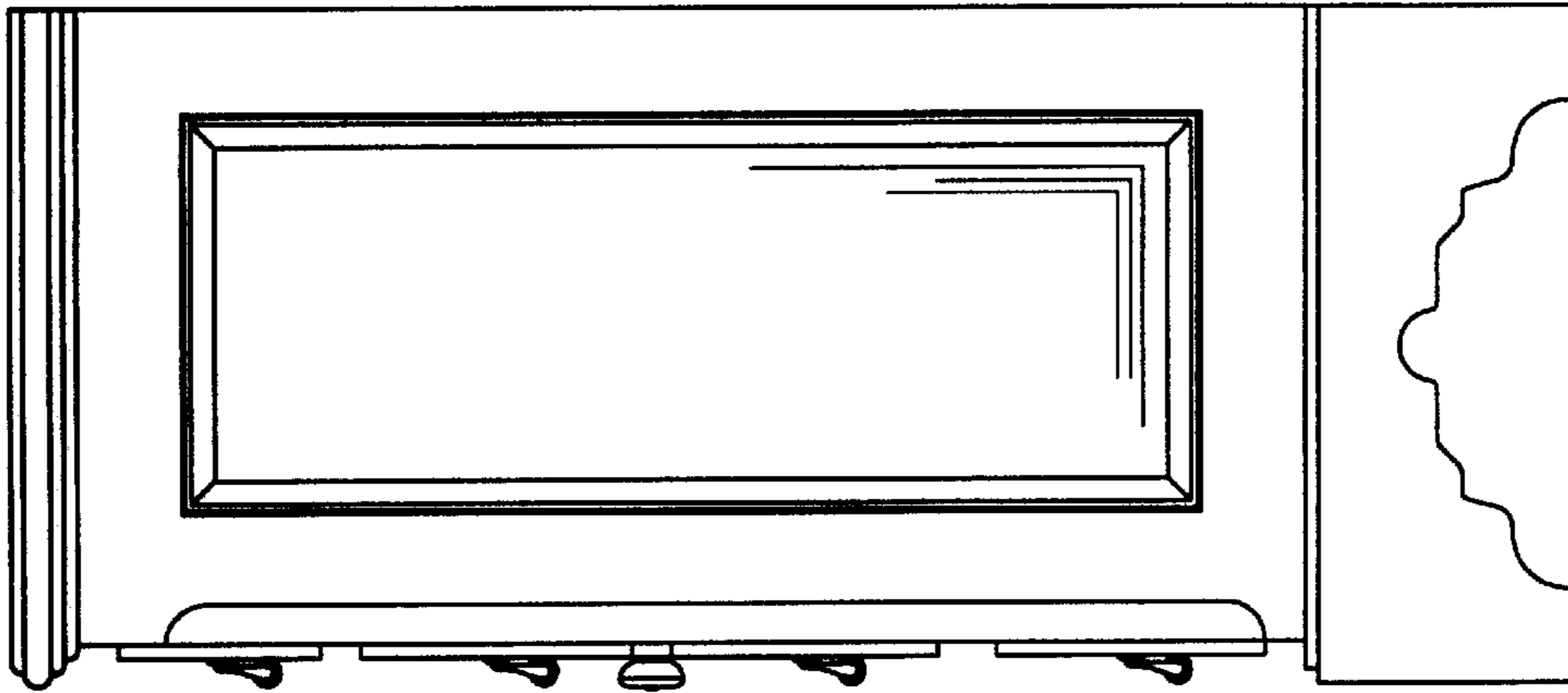


FIG.5

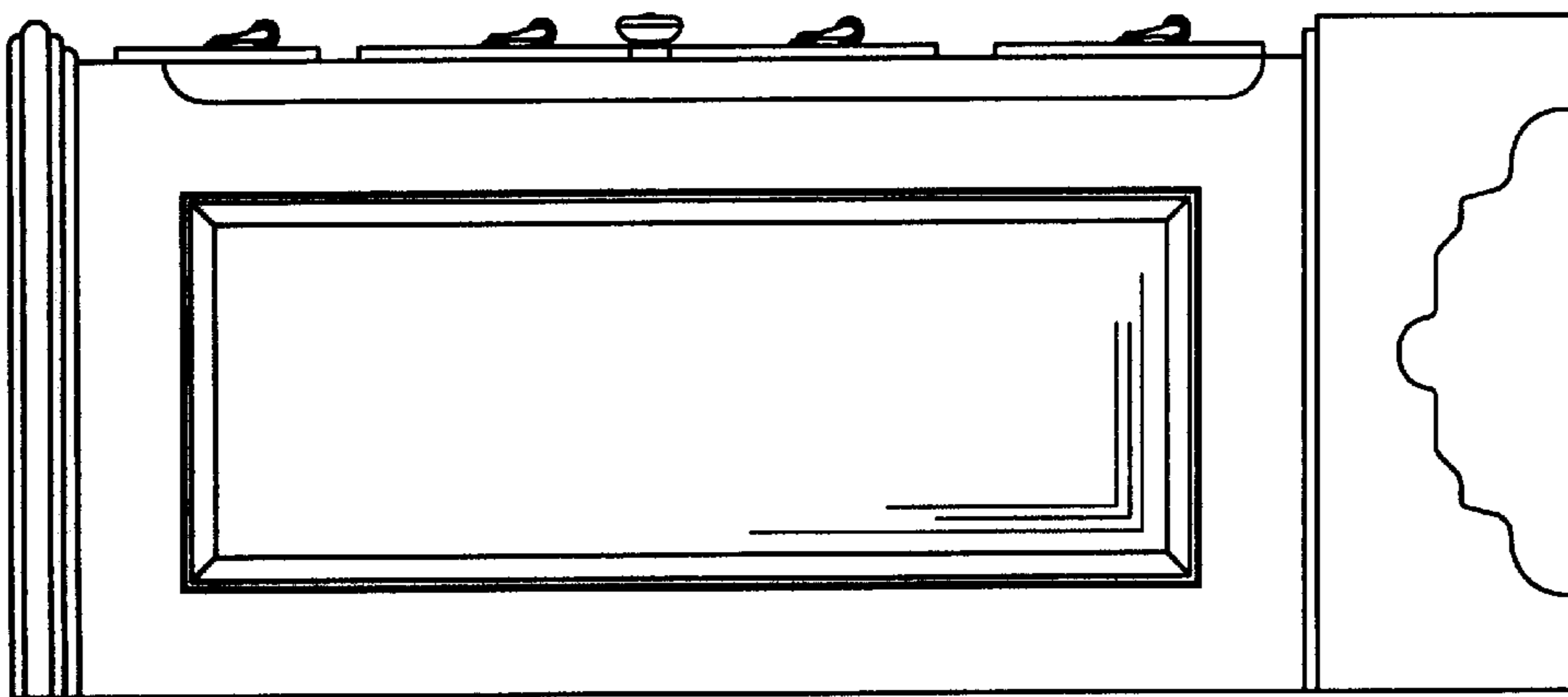


FIG.4

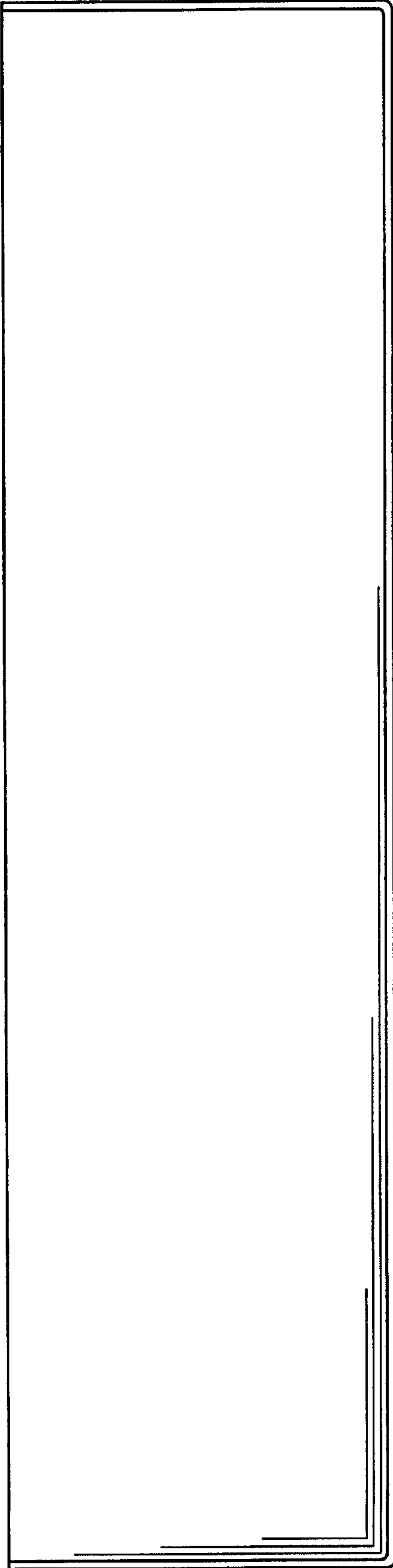


FIG.6

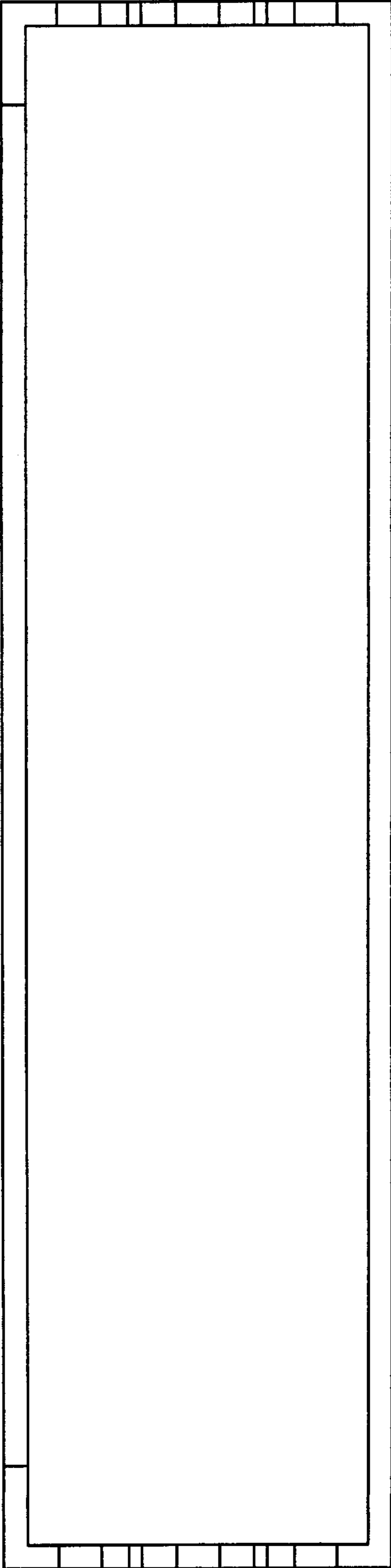


FIG.7