

US00D503559S

(12) **United States Design Patent** (10) **Patent No.:** **US D503,559 S**  
**Glass et al.** (45) **Date of Patent:** **\*\* Apr. 5, 2005**

(54) **CHAIR**

(75) Inventors: **Peter Glass**, Arroyo Grande, CA (US);  
**Douglas A. Virtue**, San Pedro, CA  
(US); **Robert J. Mills**, Torrance, CA  
(US)

(73) Assignee: **Virco Mgmt. Corporation**, Torrance,  
CA (US)

(\*\*) Term: **14 Years**

(21) Appl. No.: **29/203,313**

(22) Filed: **Apr. 12, 2004**

(51) **LOC (7) Cl.** ..... **06-01**

(52) **U.S. Cl.** ..... **D6/372; D6/375**

(58) **Field of Search** ..... D6/334-335, 366,  
D6/371-375, 500-502; 297/445.1, 451.3,  
452.2

(56) **References Cited**

**U.S. PATENT DOCUMENTS**

D182,790 S	*	5/1958	Cohen	
D190,172 S	*	4/1961	Alverson	
D197,643 S	*	3/1964	Kramer	D6/366
4,002,369 A	*	1/1977	Jennings	
D295,585 S	*	5/1988	Mulhauser	D6/372
D346,911 S	*	5/1994	Lucci et al.	D6/374
D409,407 S	*	5/1999	Wang	D6/375
D410,801 S	*	6/1999	Holbrook	
5,924,770 A	*	7/1999	Tarnay et al.	
D414,618 S	*	10/1999	Holbrook	
6,003,948 A	*	12/1999	Holbrook	
D426,973 S	*	6/2000	Risdall	
D427,444 S	*	7/2000	Risdall	
D441,557 S	*	5/2001	Glass	D6/374
D448,190 S	*	9/2001	Chang	D6/374
D469,969 S	*	2/2003	Glass et al.	D6/374
D470,320 S	*	2/2003	Schloss	
D471,730 S	*	3/2003	Schloss	
D473,407 S	*	4/2003	Ross	D6/500
D474,348 S	*	5/2003	Bosman et al.	

**OTHER PUBLICATIONS**

American Desk, "Classroom Furniture," Catalog, pp. 1, 6, 16, 18, end page, P.O. Box 6107, Temple, TX 76503, undated.

Artco-Bell Corporation, "Furniture to Enhance Education," Catalog, pp. 1, 5, 9, 11-13, 15, 18, Culver-Newlin Inc., 840 Wanamaker Ave., Ontario CA 91761, undated.

Artco-Bell Corporation, "Product Library 2001," Catalog, pp. 1, 6-8, 13, end page, P.O. Box 608, 1302 Industrial Blvd., Temple, TX 76403-0608, Nov. 7, 2001.

Capital Seating Company, "Premium Quality Classroom Furniture," Catalog, 3 pages, undated.

CDF, "School Furniture," Catalog, 2 pages, undated.

Columbia Manufacturing Company, "Alpha Chairs," 1 page, One Cycle Street, P.O. Box 1230, Westfield, MA 01086, undated.

Furniture Fixtures, "Contract Furniture in Advanced Design," Catalog, 3 pages, undated.

Ivy League School Furniture, Catalog, 2 pages, undated.

National School Lines, "Classroom Furniture," Catalog, 1, 4, 6-8, 20, 23-24, Oshkosh, Wisconsin, www.nsl-inc.com, undated.

(Continued)

*Primary Examiner*—Gary D. Watson

(74) *Attorney, Agent, or Firm*—Sheldon & Mak; Denton L. Anderson; Robert M Hupe

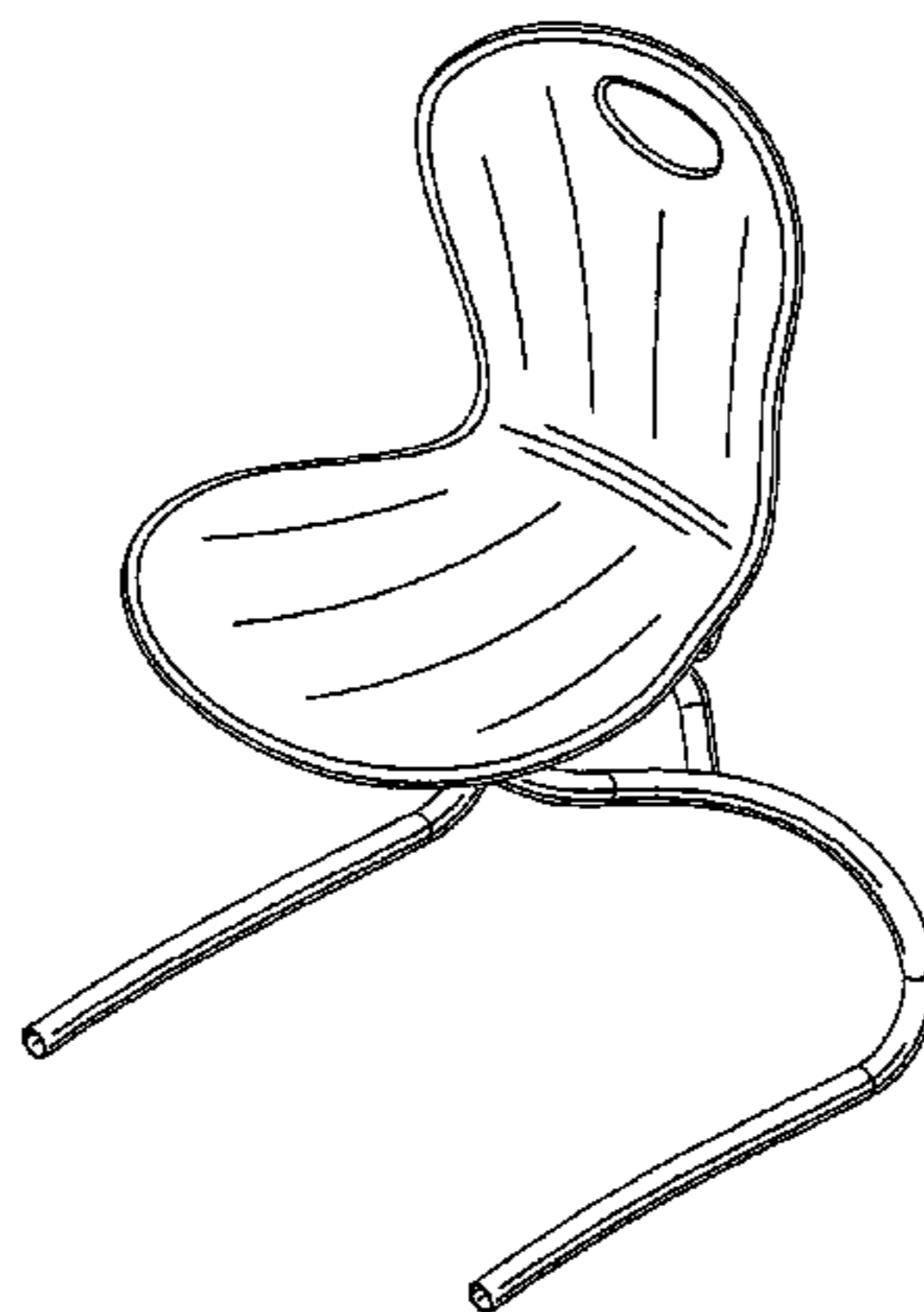
(57) **CLAIM**

The ornamental design for a chair, as shown and described.

**DESCRIPTION**

FIG. 1 is a perspective view of the chair of the invention; FIG. 2 is a front view of the chair illustrated in FIG. 1; FIG. 3 is a side view of the chair illustrated in FIG. 1; FIG. 4 is a top view of the chair illustrated in FIG. 1; FIG. 5 is a bottom view of the chair illustrated in FIG. 1; FIG. 6 is a rear view of the chair illustrated in FIG. 1; and, FIG. 7 is a second perspective view of the chair illustrated in FIG. 1.

**1 Claim, 3 Drawing Sheets**



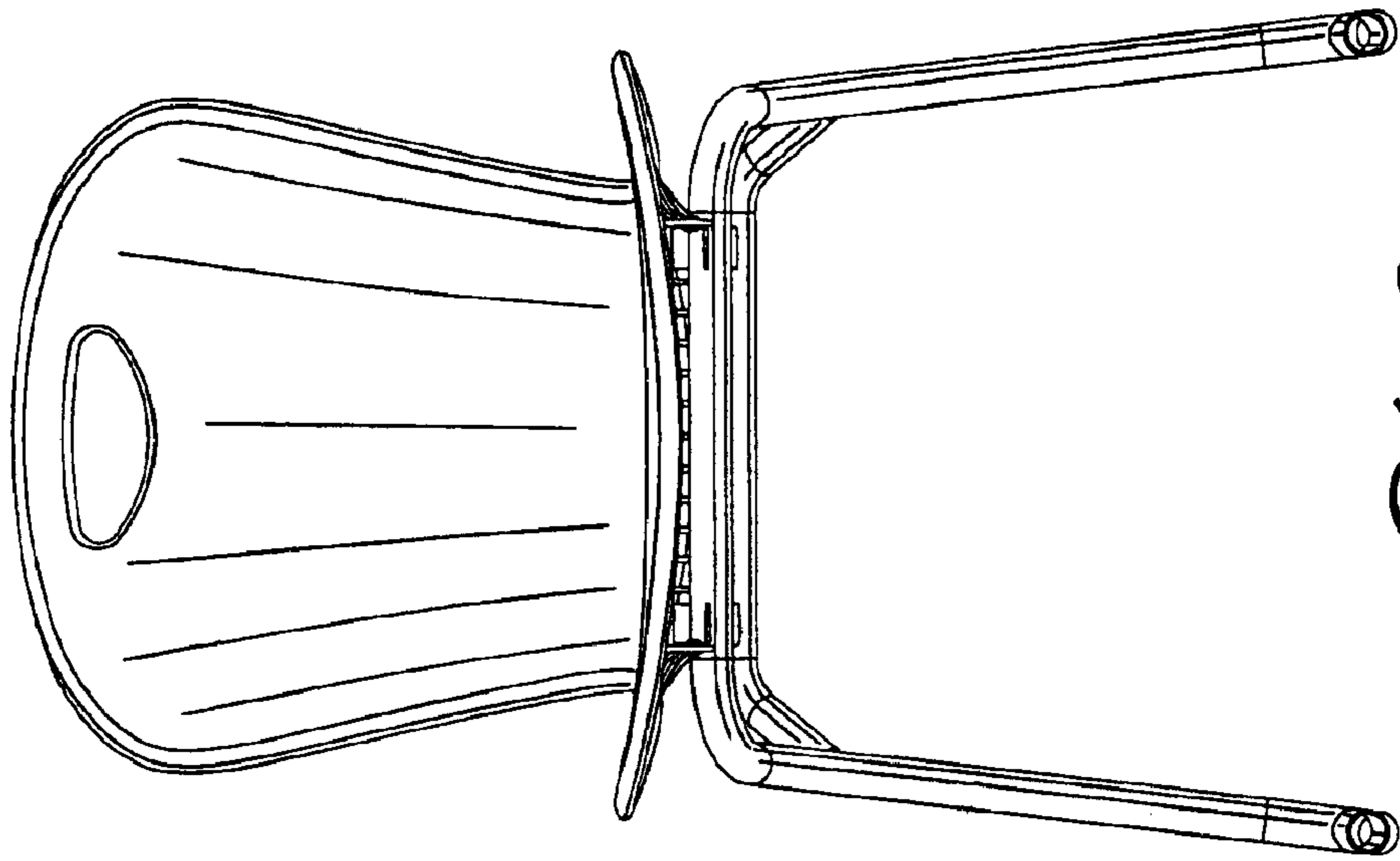
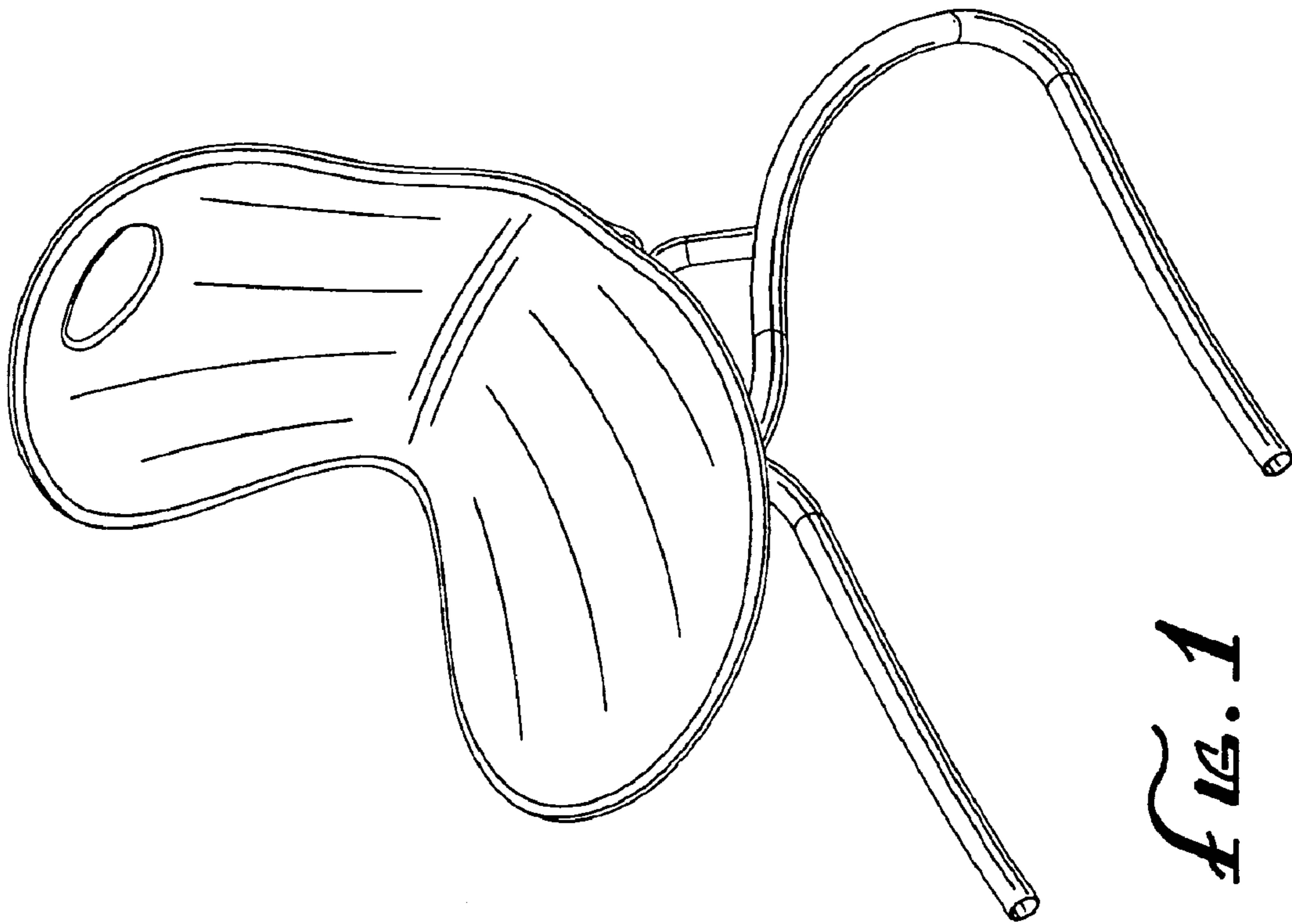
OTHER PUBLICATIONS

Royal Seating Corporation, "Educational and Computer Furniture," Catalog, pp. 6, 8, 20, 24, undated.

Scholar Craft, "School Furniture," Catalog, pp. 3, 5, 7, 9, end page, P.O. Box 170748, Birmingham, AL 35217 (2001).

Virco "Furniture Solutions," 2003 General Catalog, pp. 1, 6, 9, 52, 58, 59, 62, 66, 69, last page, 2027 Harpers Way, Torrance CA 90501.

\* cited by examiner



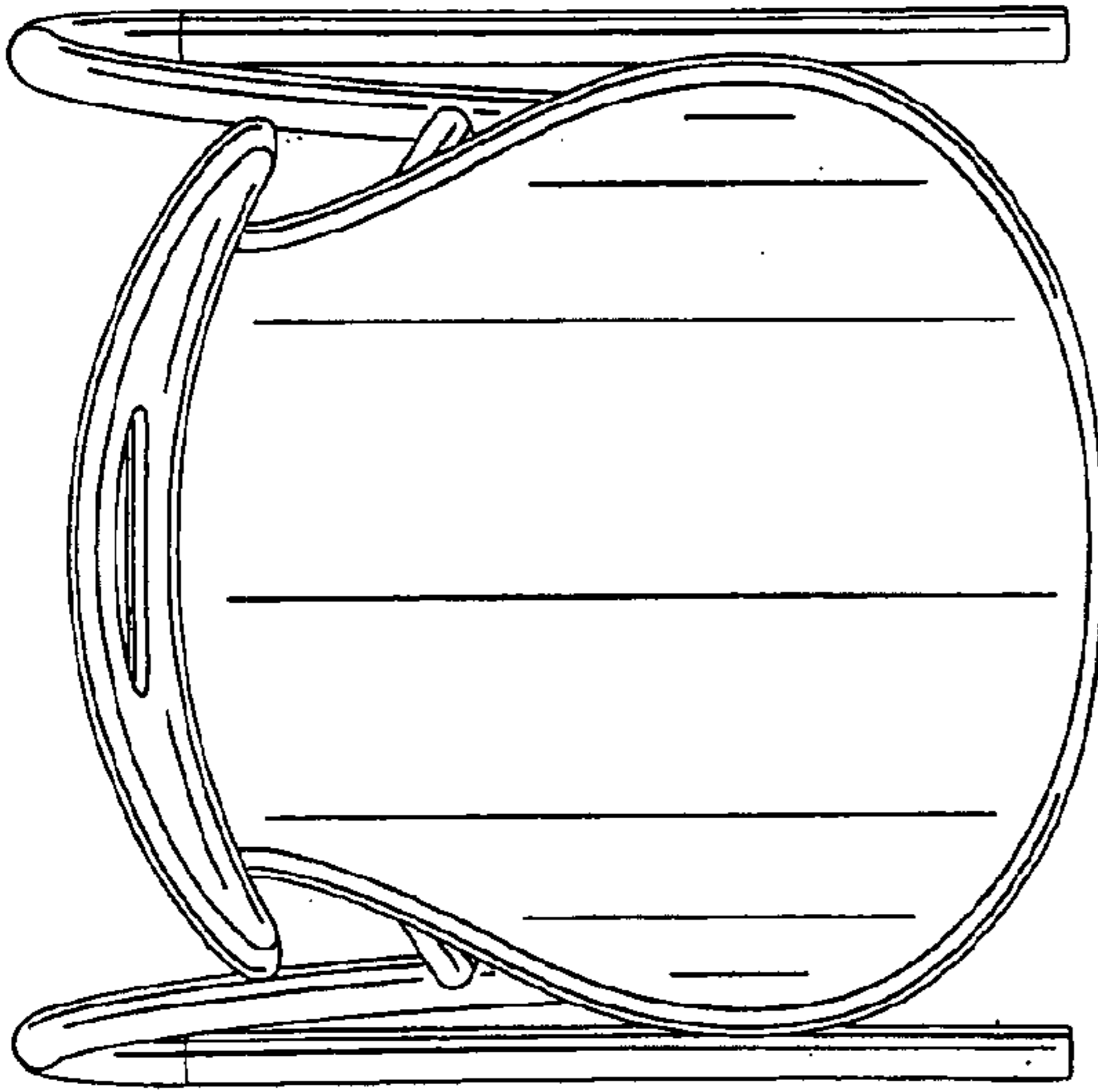


FIG. 4

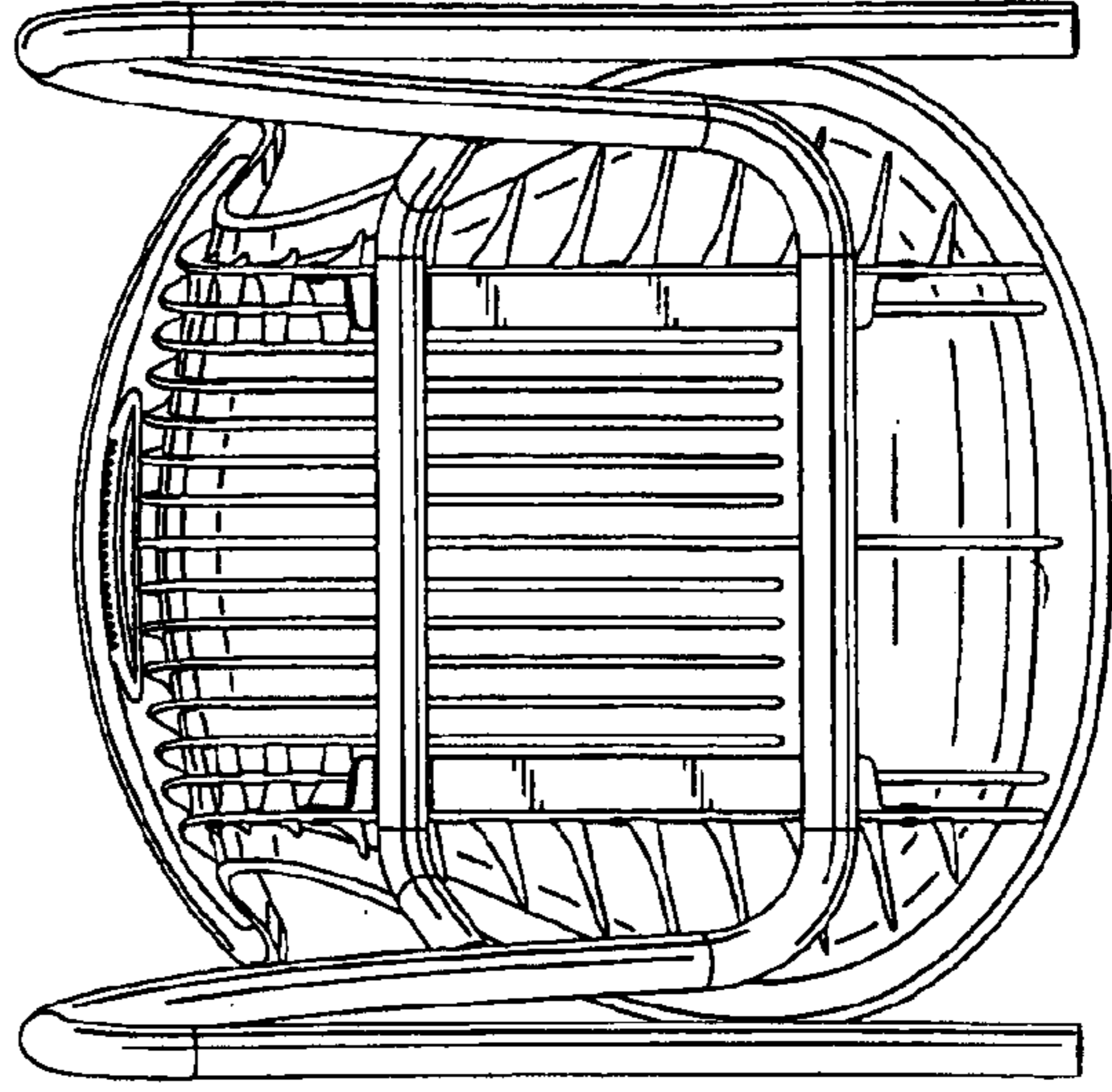


FIG. 5

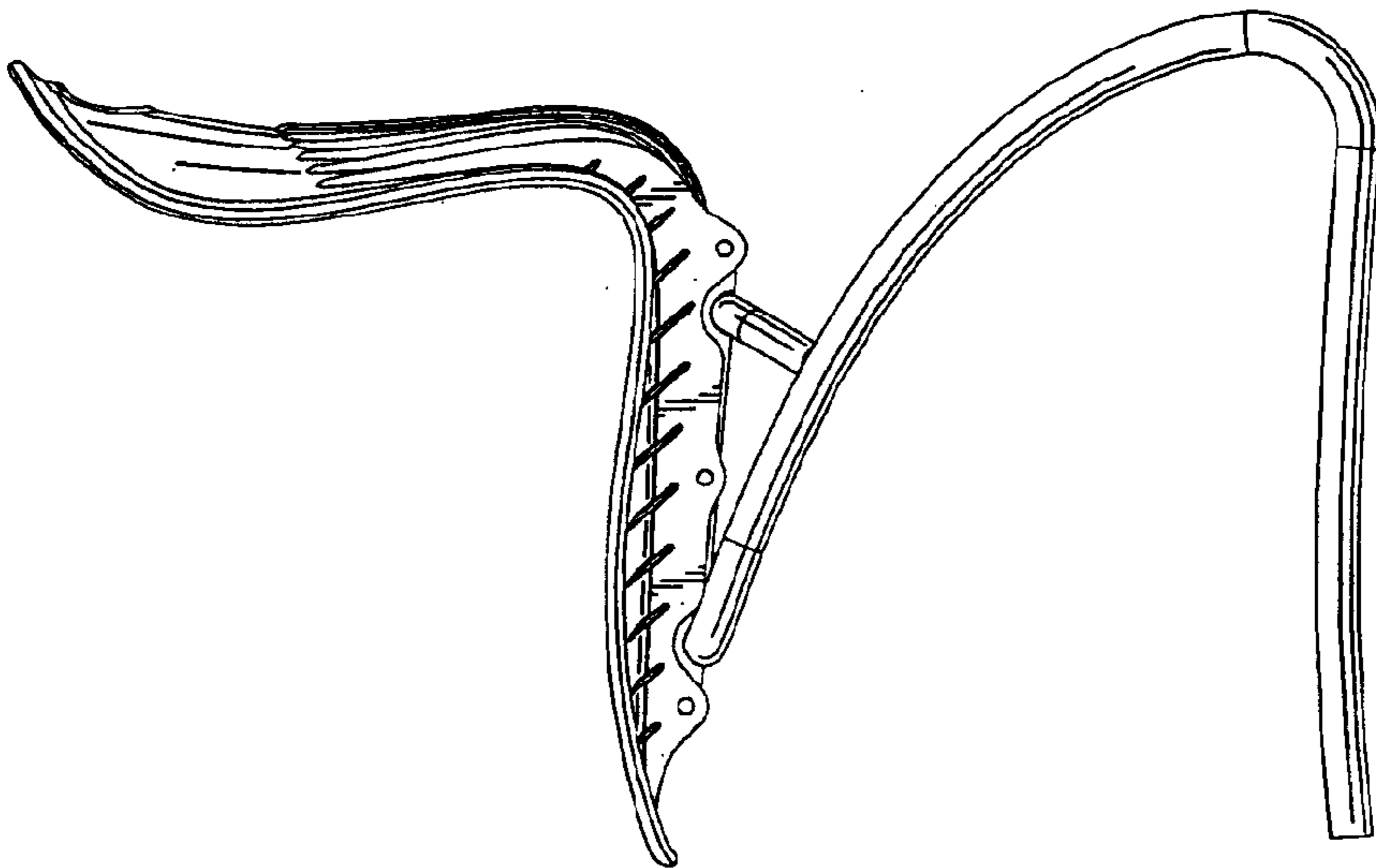


FIG. 3



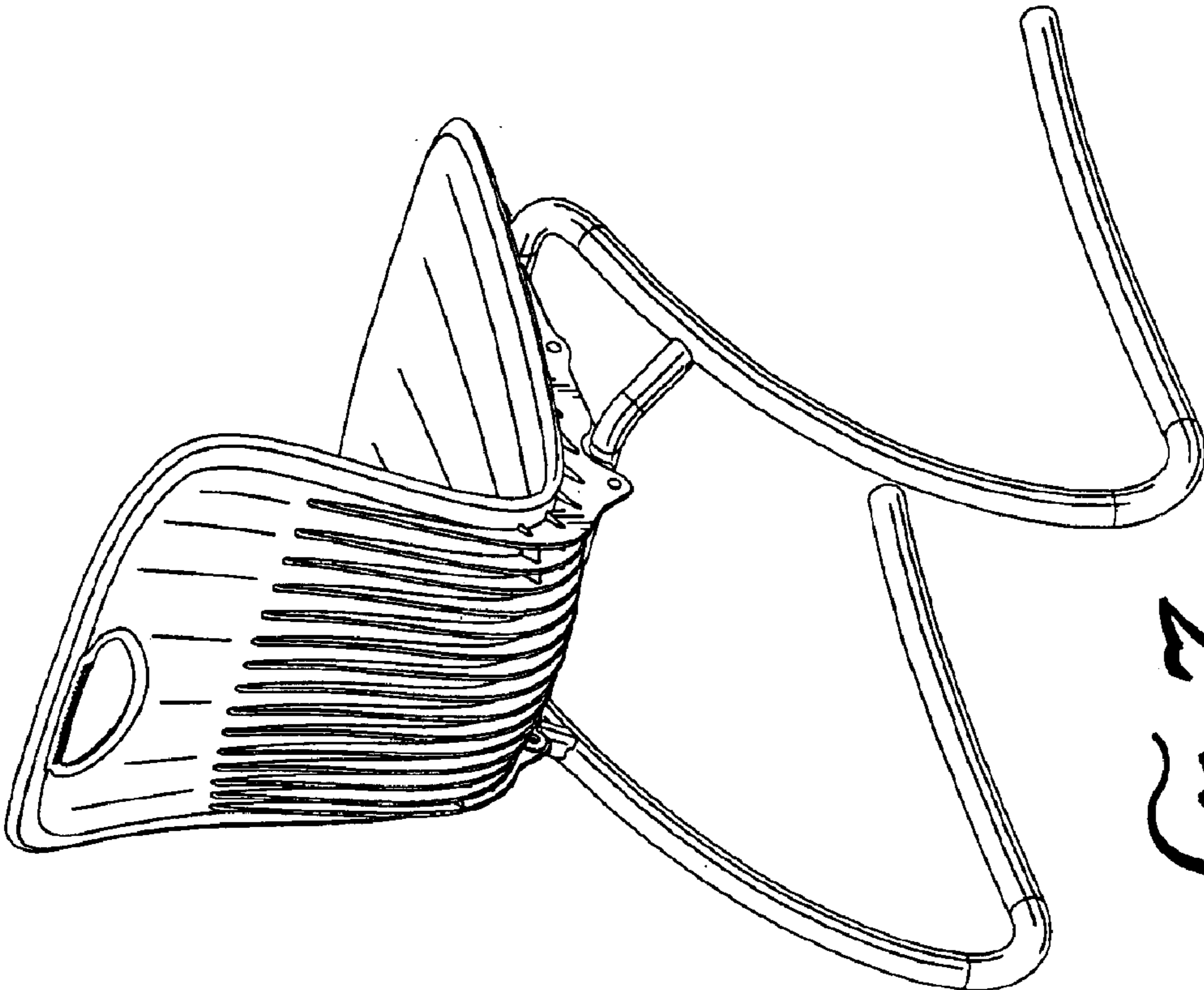


Fig. 1

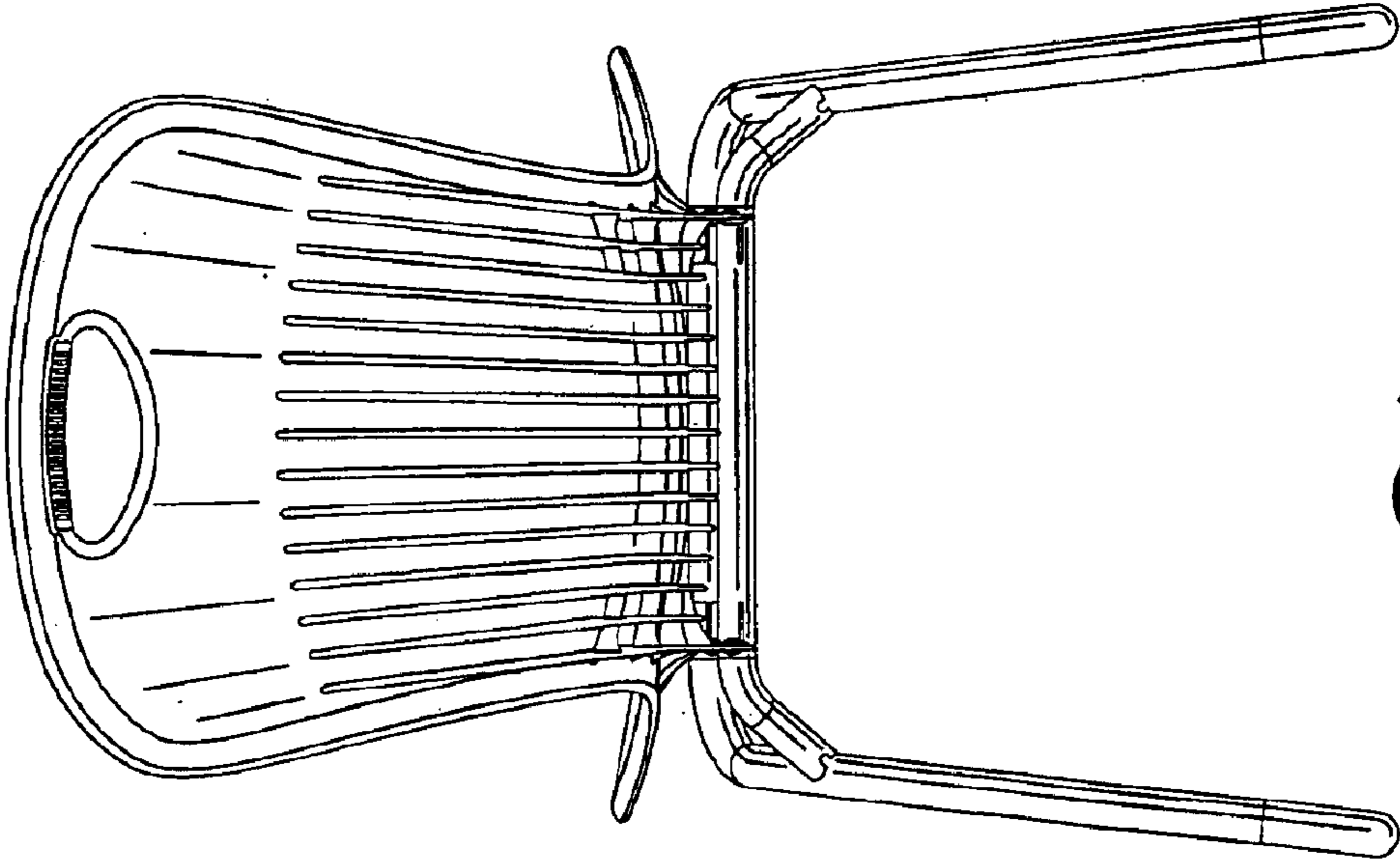


Fig. 2