



US00D503556S

(12) **United States Design Patent** (10) **Patent No.:** **US D503,556 S**
Werschmidt (45) **Date of Patent:** **** Apr. 5, 2005**

(54) **ANATOMICAL SUPPORT DEVICE**
 (75) **Inventor:** **Gary Werschmidt, Yorba Linda, CA (US)**
 (73) **Assignee:** **Columbia Medical Manufacturing, LLC, Marina del Rey, CA (US)**
 (**) **Term:** **14 Years**
 (21) **Appl. No.:** **29/189,438**
 (22) **Filed:** **Sep. 5, 2003**
 (51) **LOC (7) Cl.** **06-01**
 (52) **U.S. Cl.** **D6/361**
 (58) **Field of Search** **D6/334-336, 361, D6/371-374, 379-380, 500-502; 297/445.1, 446.1, 447.1**

4,295,683 A 10/1981 Dubbink et al.
 4,354,710 A 10/1982 Rauschenberger
 4,391,006 A 7/1983 Smith
 4,472,844 A 9/1984 Mace
 4,544,178 A 10/1985 Al-Sheikh et al.
 4,574,409 A 3/1986 McAffrey
 4,596,241 A 6/1986 Neudorfer
 4,842,335 A * 6/1989 Wunderlich 297/344.21
 4,894,877 A 1/1990 Marsh
 4,921,301 A * 5/1990 Haynes 297/118
 5,097,542 A 3/1992 Roesler
 5,103,509 A 4/1992 Richards
 D330,461 S 10/1992 Stevens
 5,157,797 A 10/1992 Forwick
 5,185,892 A 2/1993 Mitchell
 5,226,183 A 7/1993 Clark
 5,246,265 A * 9/1993 Nagan et al. 297/54
 D346,280 S * 4/1994 Metter D6/368

(List continued on next page.)

(56) **References Cited**
U.S. PATENT DOCUMENTS

131,419 A 9/1872 Black
 235,494 A * 12/1880 Von Juergensonn 267/260
 364,053 A 5/1887 Skau
 469,569 A 2/1892 Hogan
 1,188,534 A 6/1916 Corwin
 1,190,523 A 7/1916 Dodd
 1,386,612 A 9/1921 Farah
 2,040,942 A 5/1936 Katenkamp
 2,911,245 A 11/1959 Kurz
 3,123,398 A 3/1964 Murcott
 3,290,090 A 12/1966 Ford
 3,352,580 A 11/1967 Kurz et al.
 3,832,740 A 9/1974 McClarrin
 3,835,483 A 9/1974 Emery
 3,840,268 A 10/1974 Johndrow et al.
 3,918,822 A 11/1975 Rauschenberger
 3,994,030 A 11/1976 Cassell et al.
 4,058,341 A 11/1977 Prins
 4,140,065 A 2/1979 Chacon
 4,150,445 A 4/1979 Bailey
 4,166,297 A 9/1979 Saleeby
 4,226,467 A * 10/1980 Boudreau 297/5
 4,266,306 A 5/1981 Lee

Primary Examiner—Joel A. Sincavage
Assistant Examiner—Vy Nguyen
 (74) *Attorney, Agent, or Firm*—Cochran Freund & Young LLC

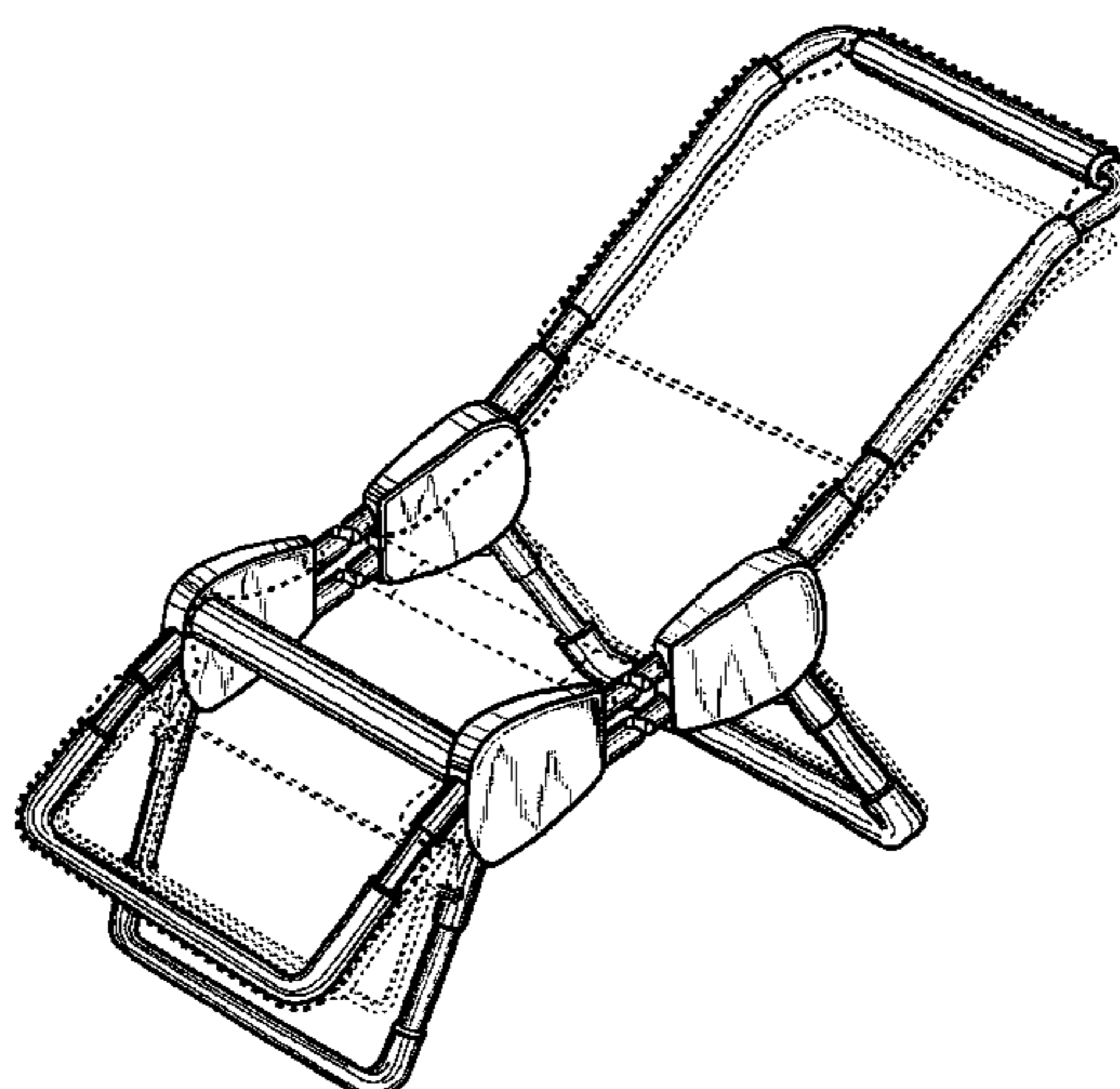
(57) **CLAIM**

The ornamental design for an anatomical support device, as shown and described.

DESCRIPTION

FIG. 1 is an isometric view of an anatomical support device showing my new design.
 FIG. 2 is a front plan view thereof.
 FIG. 3 is a right side plan view thereof.
 FIG. 4 is a left side plan view thereof.
 FIG. 5 is a top plan view thereof.
 FIG. 6 is a rear plan view thereof; and,
 FIG. 7 is a bottom plan view thereof.
 The broken line showing of additional parts and accessories is for illustrative purposes only and forms no part of the claimed design.

1 Claim, 7 Drawing Sheets



US D503,556 S

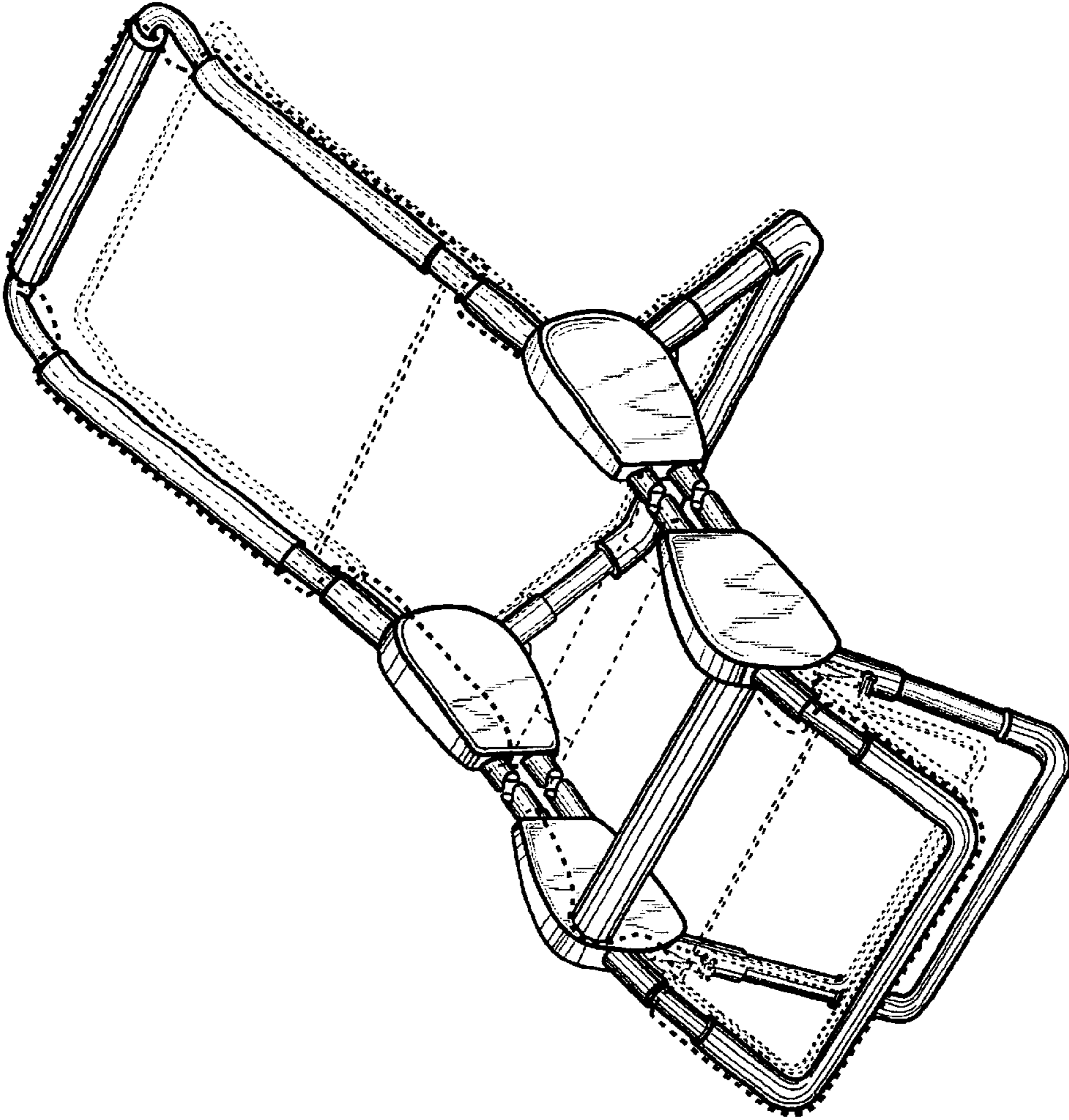
Page 2

U.S. PATENT DOCUMENTS

5,335,377 A	8/1994	Masyada et al.	5,988,755 A	11/1999	Fastelli et al.
5,341,525 A	8/1994	Tillman et al.	5,996,139 A	12/1999	Gesse
5,377,366 A	1/1995	Boyd et al.	6,012,769 A	1/2000	Hsueh et al.
5,393,119 A	2/1995	Mukai	6,088,847 A	7/2000	Burrow
D355,985 S	3/1995	Karten et al.	6,094,756 A	8/2000	Carter
5,412,817 A	5/1995	Smith	6,122,776 A	9/2000	Cheng
D360,022 S	7/1995	Smith	6,158,809 A	12/2000	Gobbers et al.
5,467,486 A	11/1995	Guenther	6,164,722 A	12/2000	Mabey
5,498,054 A	3/1996	Tomlinson	6,199,226 B1	3/2001	Steadman
5,517,704 A	5/1996	Dagostino	D439,869 S	4/2001	Kjell et al.
5,520,435 A	5/1996	Fujimoto et al.	6,279,178 B1	8/2001	Hill
5,535,458 A	7/1996	Siverly	D451,689 S *	12/2001	Chen et al. D6/339
5,682,626 A	11/1997	Banks, Jr. et al.	6,334,225 B1	1/2002	Brinkmann
D389,099 S	1/1998	McKay	6,351,860 B1	3/2002	Schaffer
5,715,545 A	2/1998	Forwick	6,381,772 B1	5/2002	Dawson
5,822,809 A	10/1998	Gallo	6,397,409 B1	6/2002	Sherlock et al.
5,937,454 A	8/1999	Drew	6,408,456 B1	6/2002	Fike et al.
5,953,769 A	9/1999	Williams	D478,428 S *	8/2003	Leckey D6/368

* cited by examiner

FIGURE 1



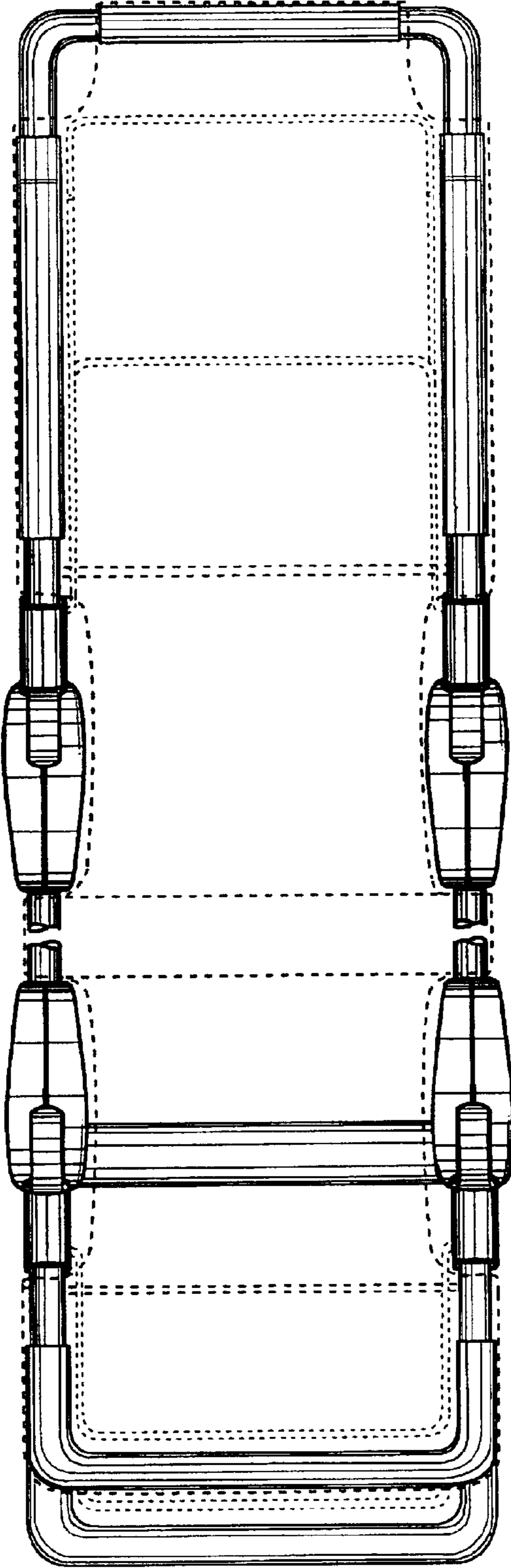


FIGURE 2

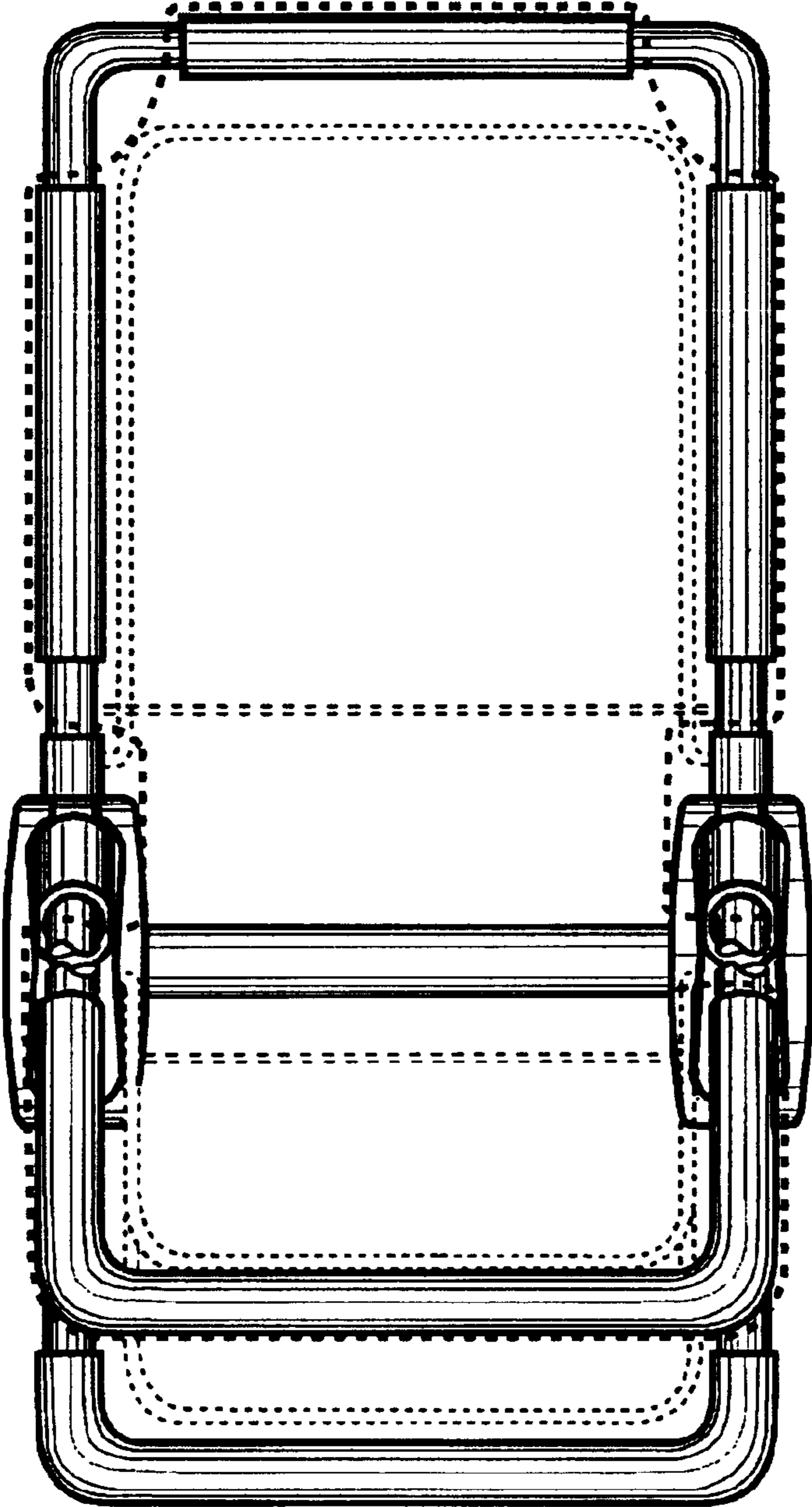


FIGURE 3

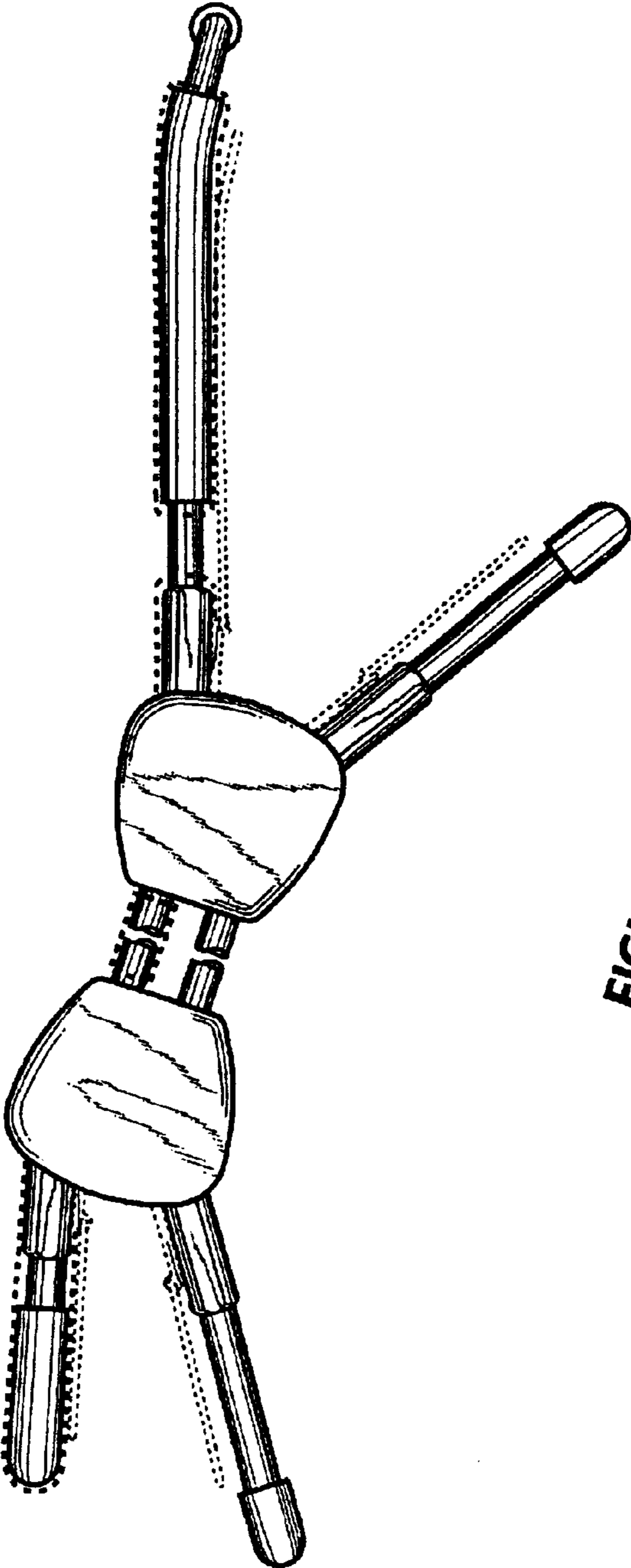


FIGURE 4

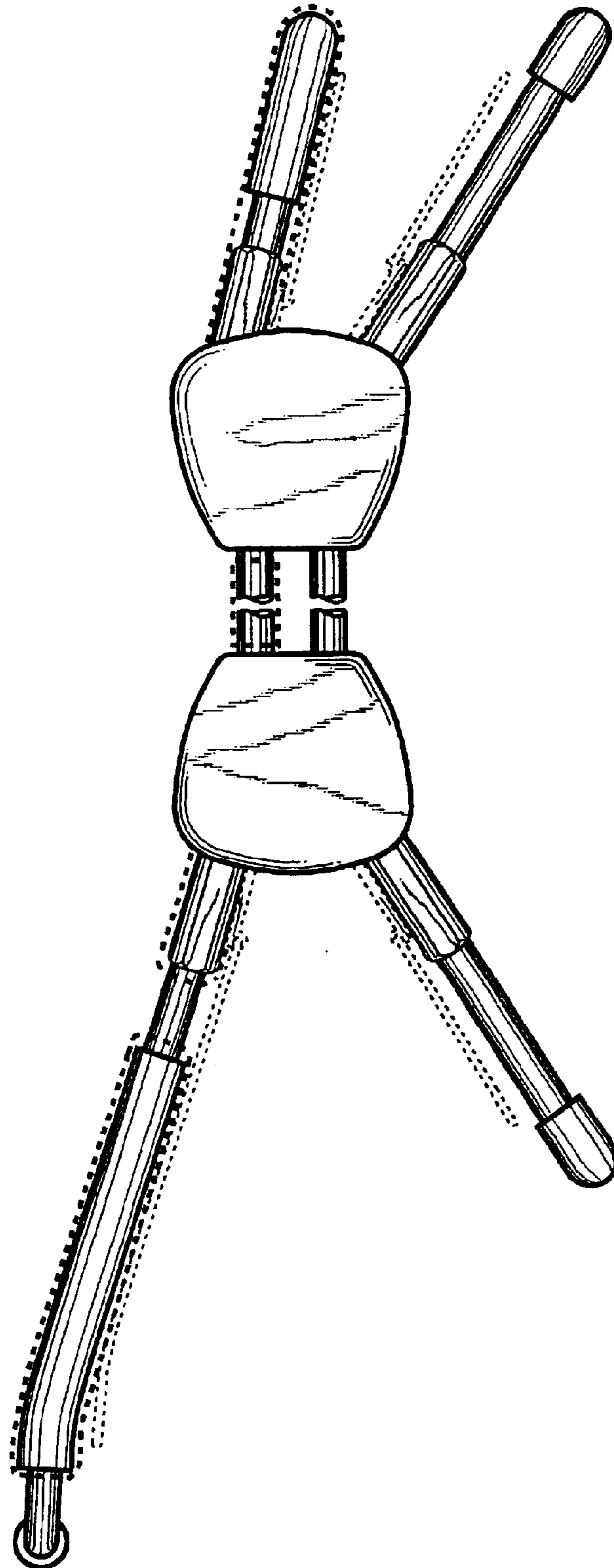


FIGURE 5

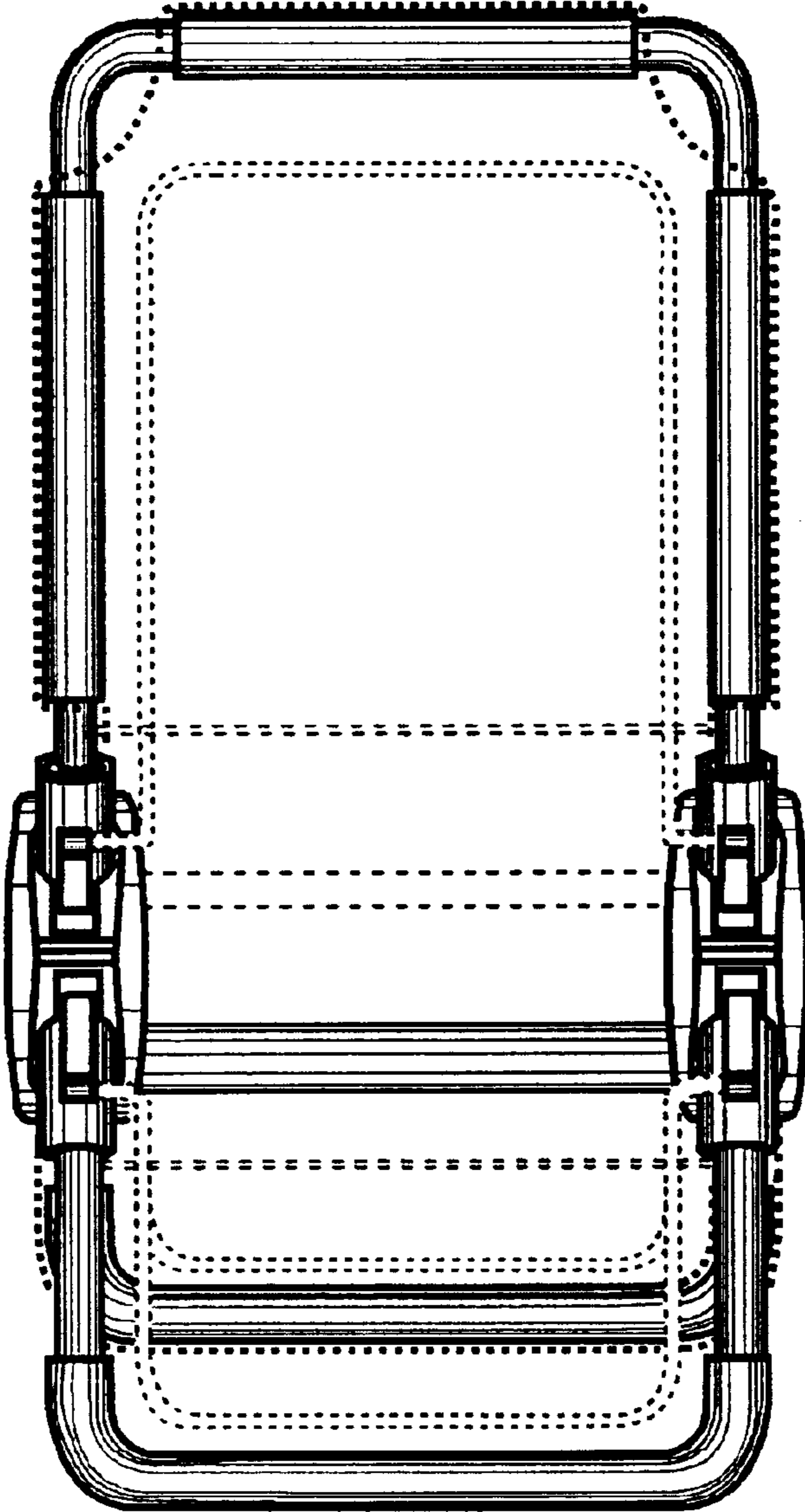


FIGURE 6

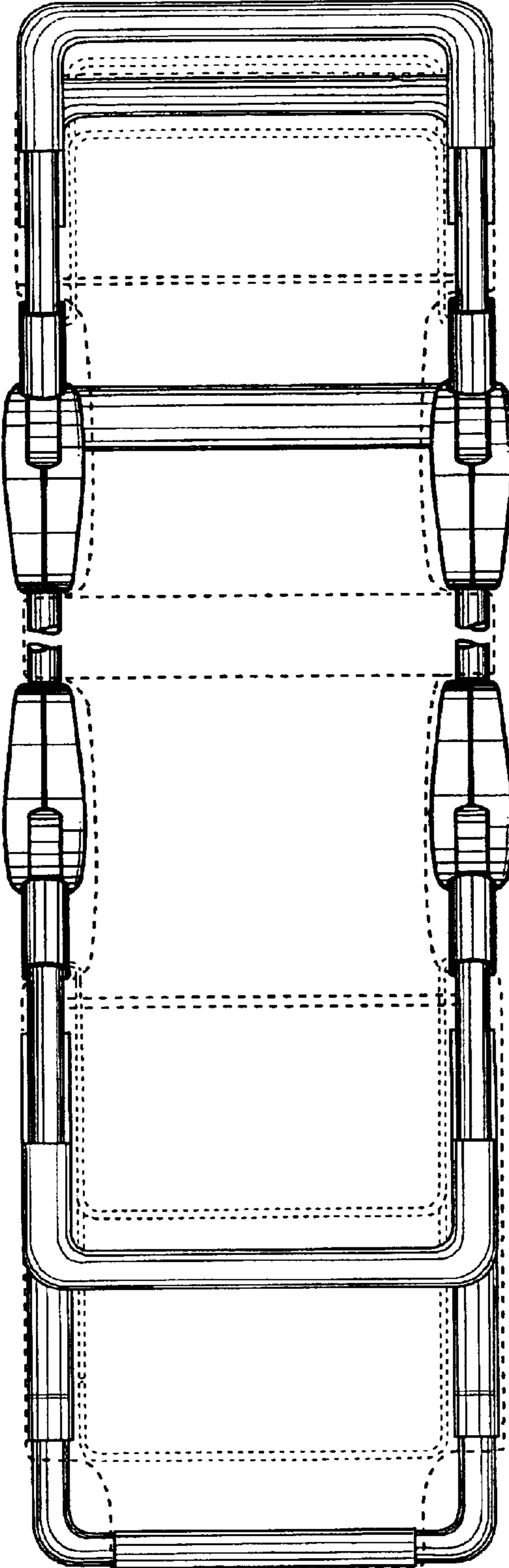


FIGURE 7