

US00D503552S

(12) **United States Design Patent**  
**Messier**

(10) **Patent No.:** **US D503,552 S**  
(45) **Date of Patent:** **\*\* Apr. 5, 2005**

(54) **PARK BENCH**  
(75) Inventor: **Patrick Messier, Montréal (CA)**  
(73) Assignee: **Plastiques Cascades Inc., Quebec (CA)**  
(\*\*) Term: **14 Years**

D278,959 S \* 5/1985 Berry, Jr. .... D6/480  
D396,358 S \* 7/1998 Geier ..... D6/349  
D423,831 S \* 5/2000 Massie et al. .... D6/495  
D484,337 S \* 12/2003 Risdon et al. .... D6/495  
D498,079 S \* 11/2004 Messier ..... D6/381

\* cited by examiner

(21) Appl. No.: **29/201,144**  
(22) Filed: **Mar. 10, 2004**  
(30) **Foreign Application Priority Data**

*Primary Examiner*—Joel A. Sincavage  
*Assistant Examiner*—Vy Nguyen  
(74) *Attorney, Agent, or Firm*—Cantor Colburn LLP

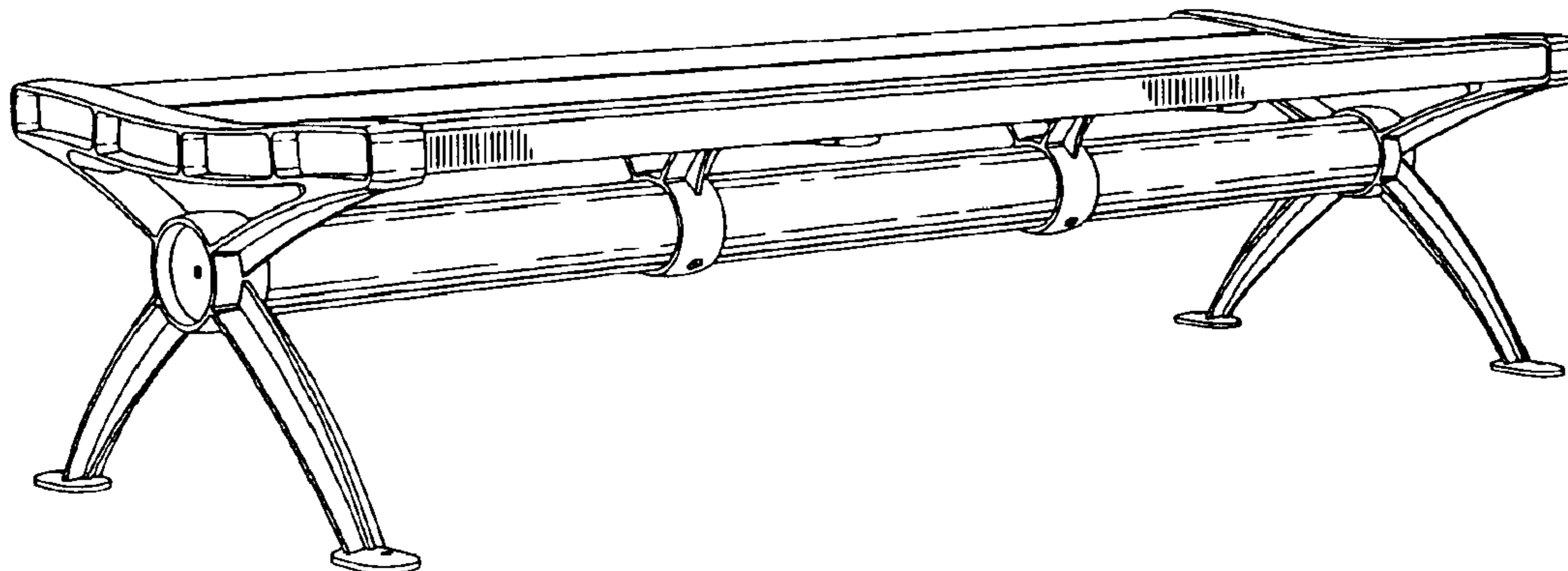
Nov. 25, 2003 (CA) ..... 104997  
(51) **LOC (7) Cl.** ..... **06-01**  
(52) **U.S. Cl.** ..... **D6/349; D6/355; D6/381;**  
D6/480  
(58) **Field of Search** ..... D6/334, 349, 355,  
D6/370, 374, 376, 379–381, 500–502; 297/232,  
445.1, 446.1

(57) **CLAIM**  
The ornamental design for a park bench, as shown and described.

(56) **References Cited**  
**U.S. PATENT DOCUMENTS**  
D186,520 S \* 11/1959 Anderson et al. .... D6/495  
D205,665 S \* 9/1966 Nelson ..... D6/495

**DESCRIPTION**  
FIG. 1 is a front side perspective view of a park bench showing our new design;  
FIG. 2 is a front elevation view thereof, the rear elevation view being a mirror image thereof;  
FIG. 3 is a side elevation view thereof, the other side view being a mirror image thereof; and,  
FIG. 4 is top plan view thereof.

**1 Claim, 2 Drawing Sheets**



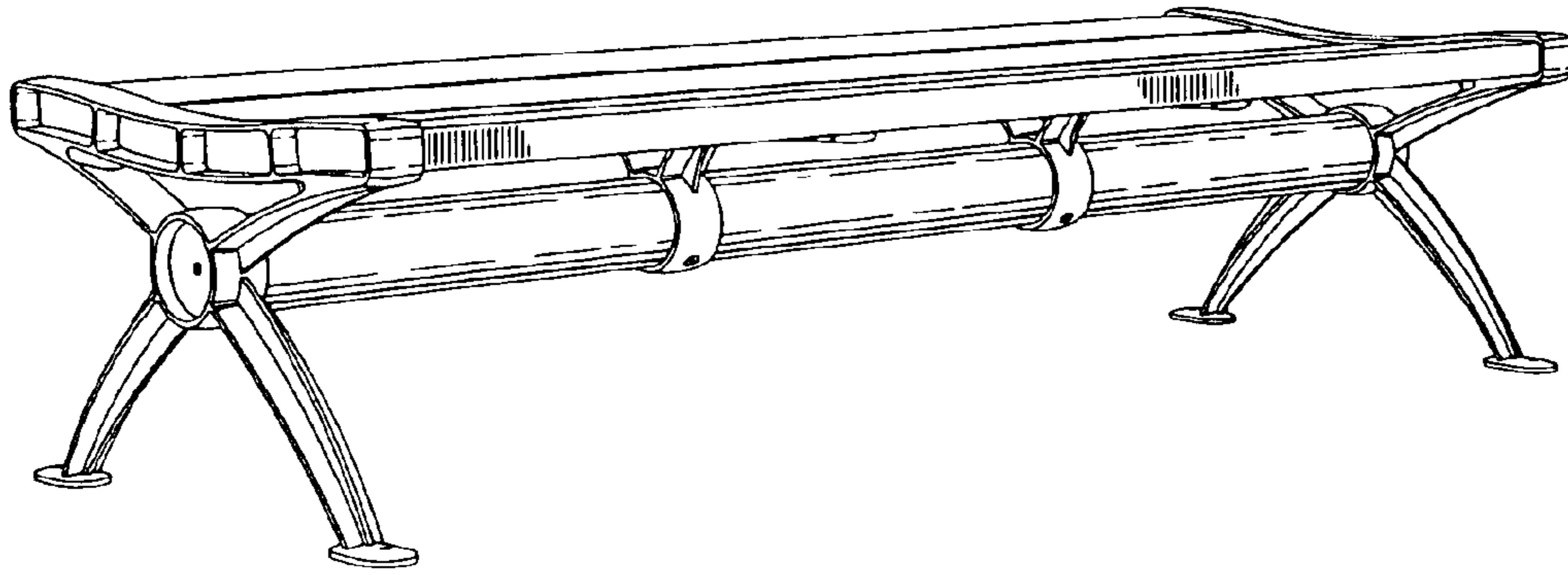


FIG. 1

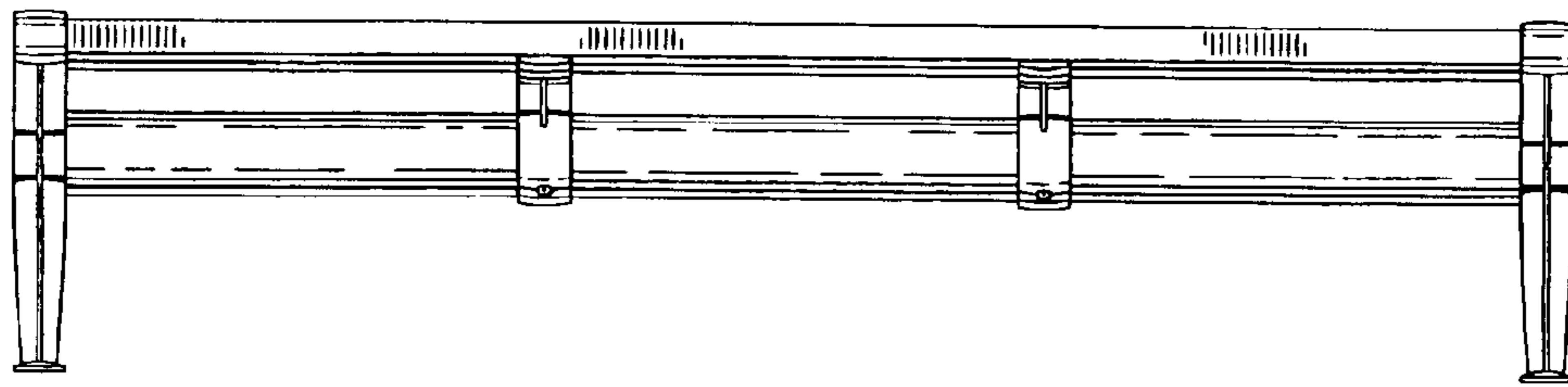


FIG. 2

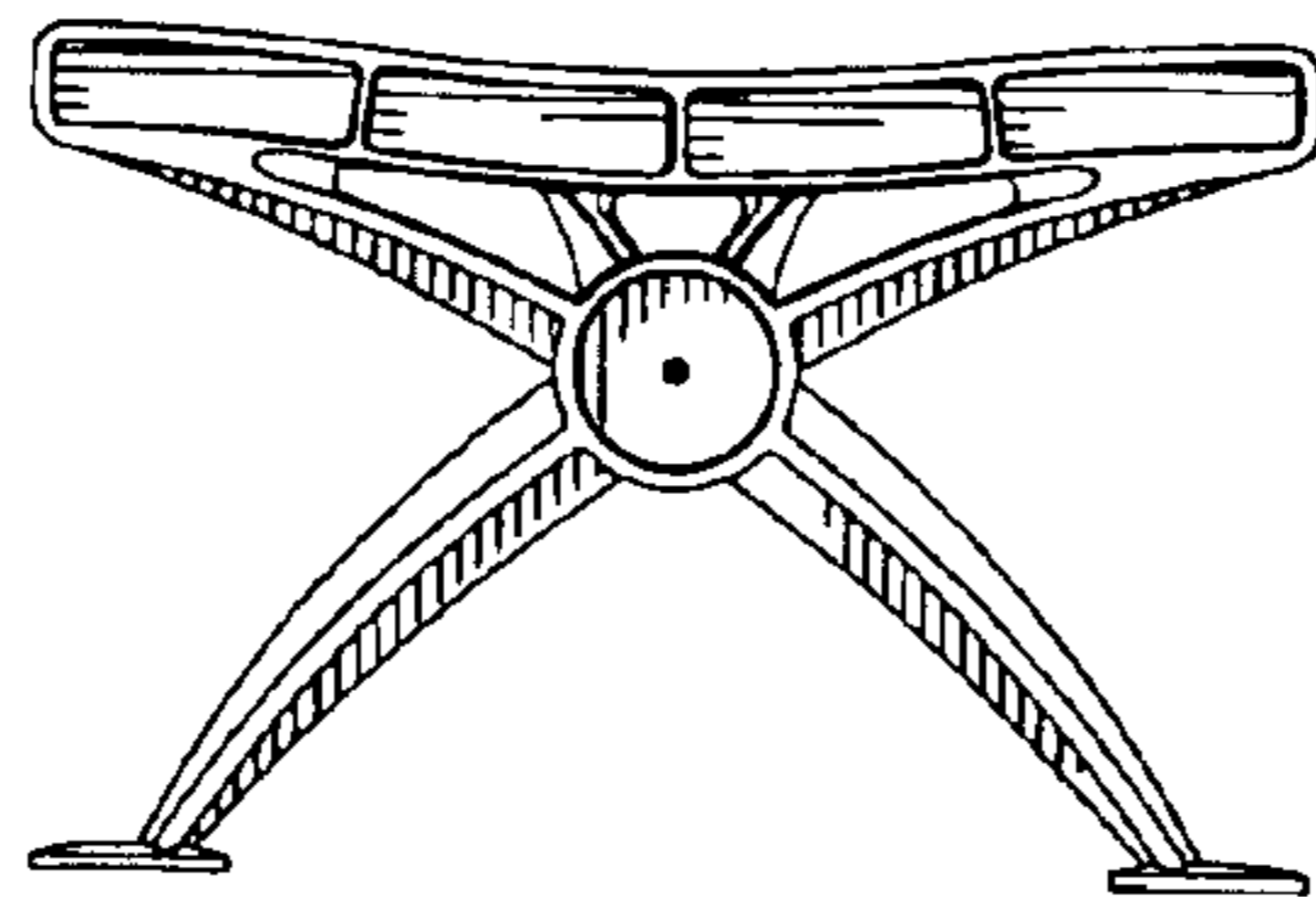


FIG. 3

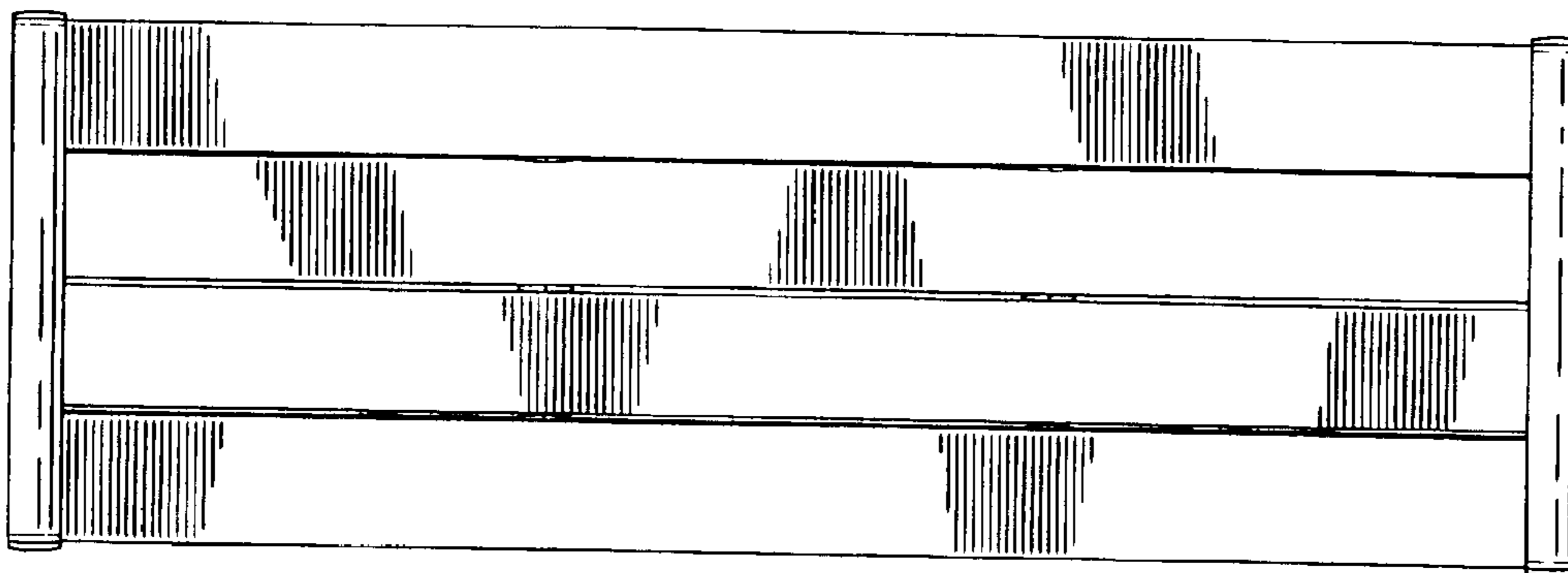


FIG. 4