



US00D503551S

(12) **United States Design Patent**
Caldwell

(10) **Patent No.:** **US D503,551 S**

(45) **Date of Patent:** **** Apr. 5, 2005**

(54) **ROCKING CHAISE LOUNGE**

(76) **Inventor:** **John W. Caldwell**, 1829 Warwick Rd.,
San Marino, CA (US) 91108

(**) **Term:** **14 Years**

(21) **Appl. No.:** **29/203,918**

(22) **Filed:** **Apr. 20, 2004**

(51) **LOC (7) Cl.** **06-01**

(52) **U.S. Cl.** **D6/348; D6/361**

(58) **Field of Search** D6/334-336, 344,
D6/348, 360, 361, 367, 368, 371-373, 374,
376, 380, 500-502; 297/17, 20, 22, 23,
41, 258.1, 271.5, 271.6, 272.1, 354.13,
377, 452.13; D21/688

(56) **References Cited**

U.S. PATENT DOCUMENTS

912,216 A * 2/1909 Wells 297/32
942,724 A * 12/1909 Flindall 297/23
2,696,869 A * 12/1954 Schlaak 297/22
D299,685 S * 2/1989 Frinier D6/361

D427,792 S * 7/2000 Hodge D6/361
6,257,660 B1 * 7/2001 Calvey 297/16.1

* cited by examiner

Primary Examiner—Mimosa De

(74) *Attorney, Agent, or Firm*—Donald D. Mon

(57) **CLAIM**

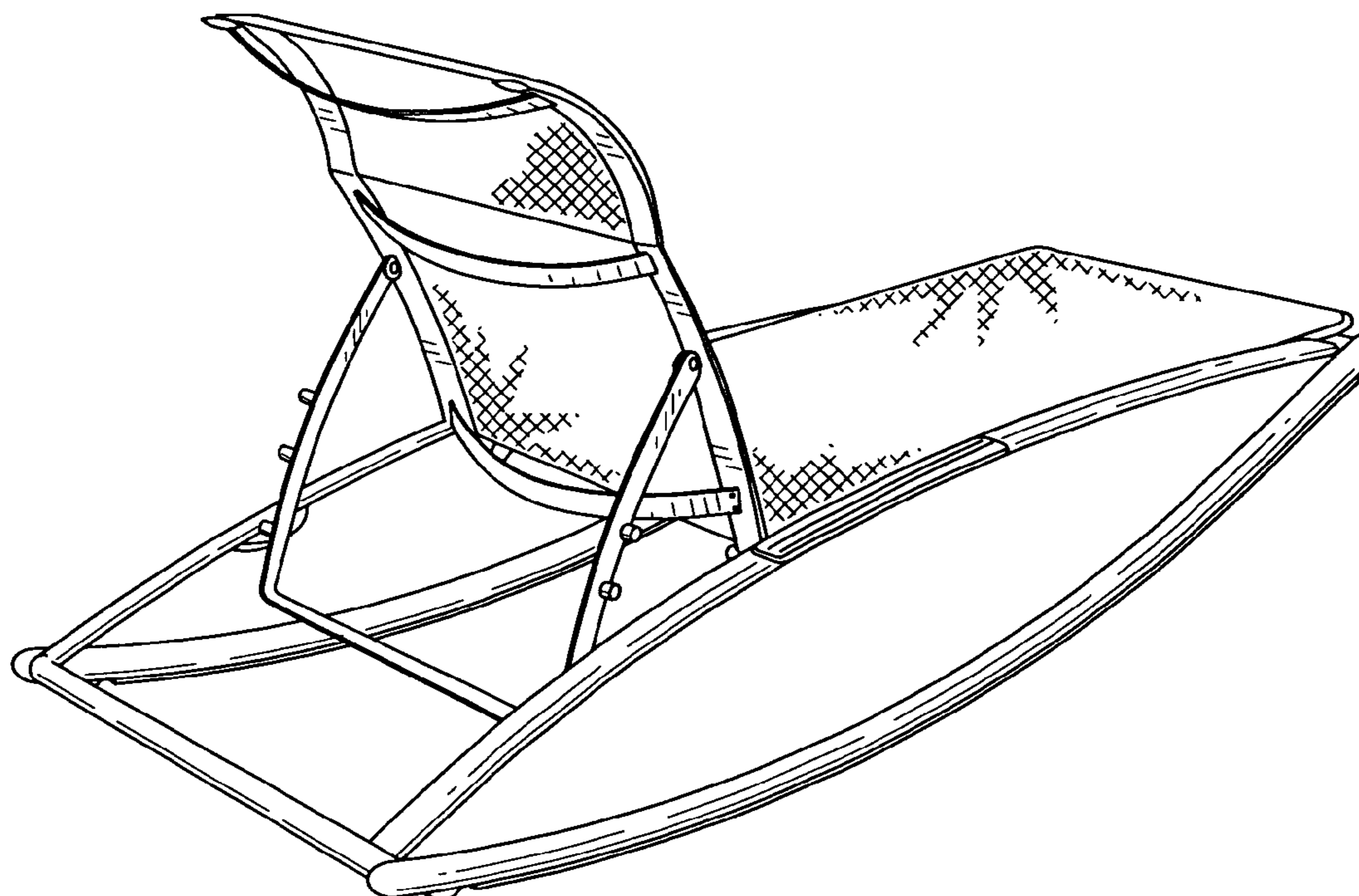
The ornamental design for a rocking chaise lounge, as shown.

DESCRIPTION

FIG. 1 is a rear quarter perspective view of the rocking chaise lounge of this invention;
FIG. 2 is an enlarged right hand side elevation of FIG. 1, the left hand side view being its mirror image;
FIG. 3 is a top view of FIG. 2;
FIG. 4 is a bottom view of FIG. 2;
FIG. 5 is a front elevation of FIG. 2; and,
FIG. 6 is a rear elevation of FIG. 2.

The fragmented crosshatch pattern shown on the seat and backrest represent fabric and is repeated throughout the areas shown.

1 Claim, 3 Drawing Sheets



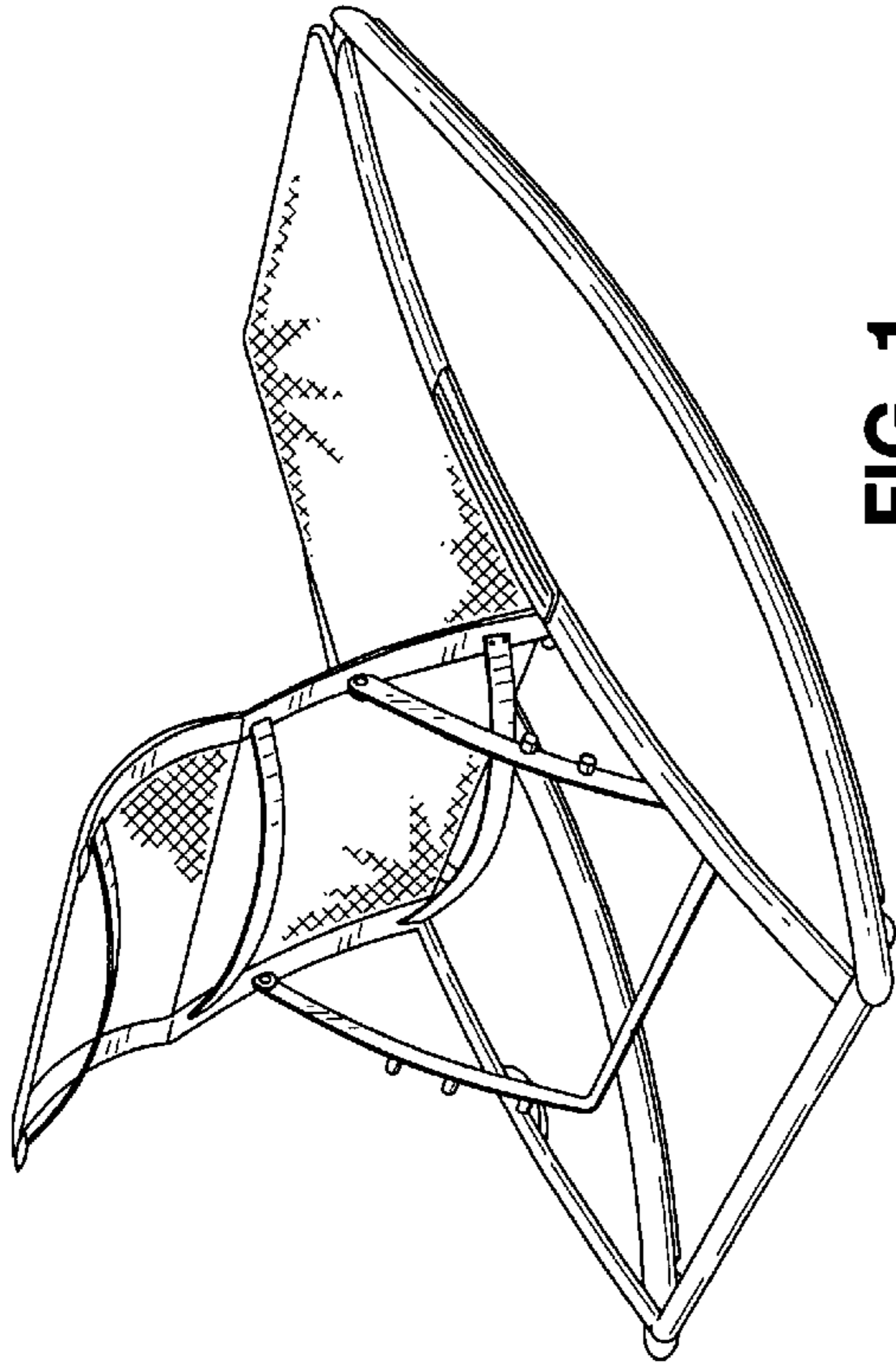


FIG. 1

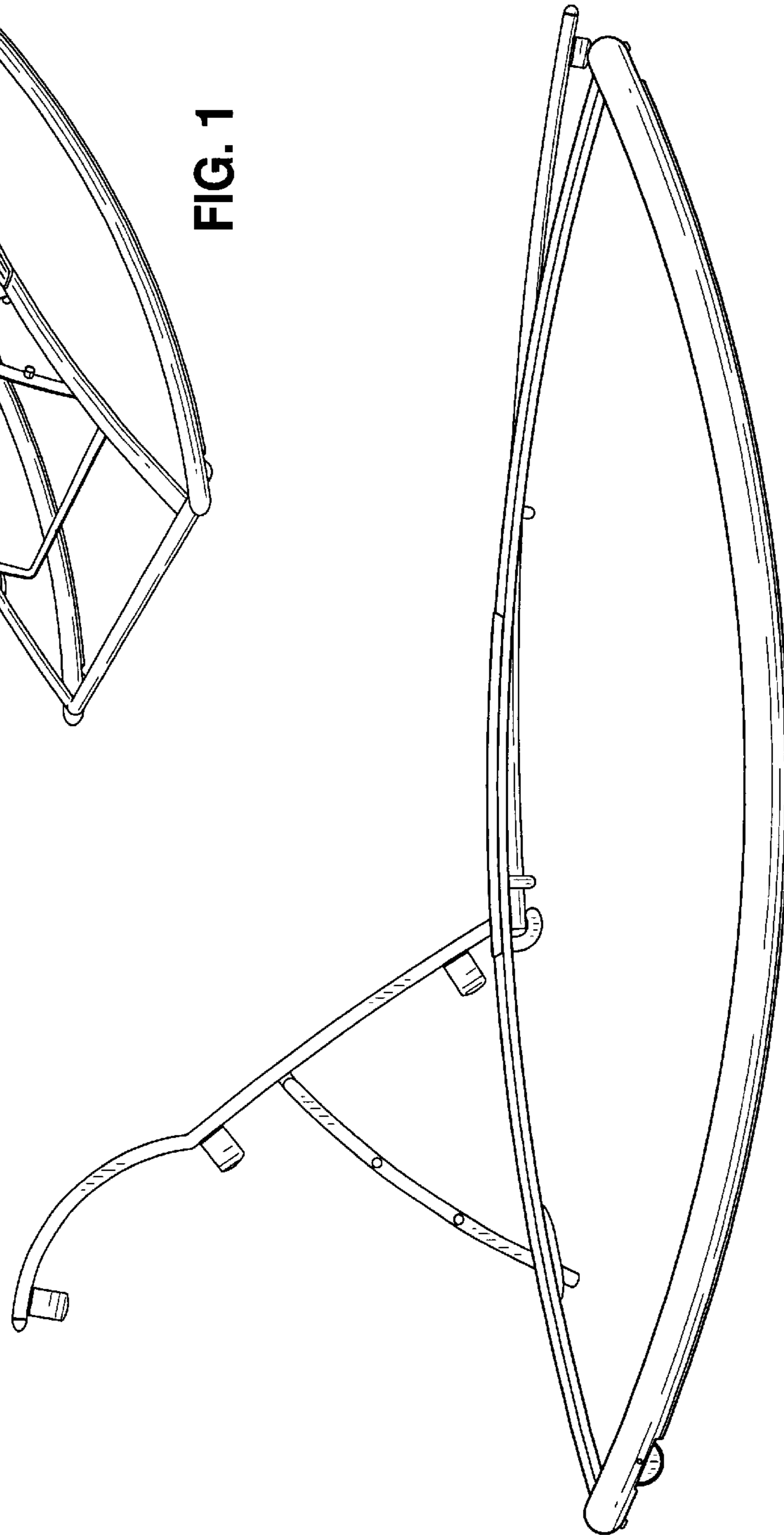


FIG. 2

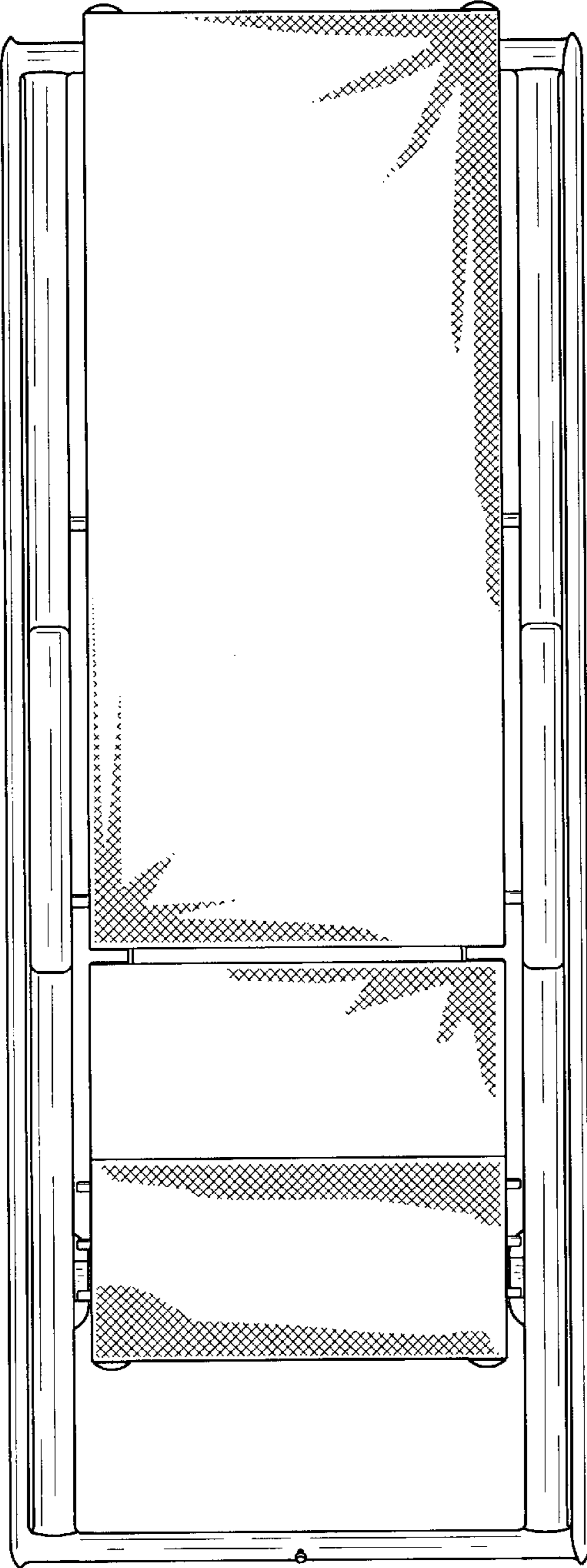


FIG. 3

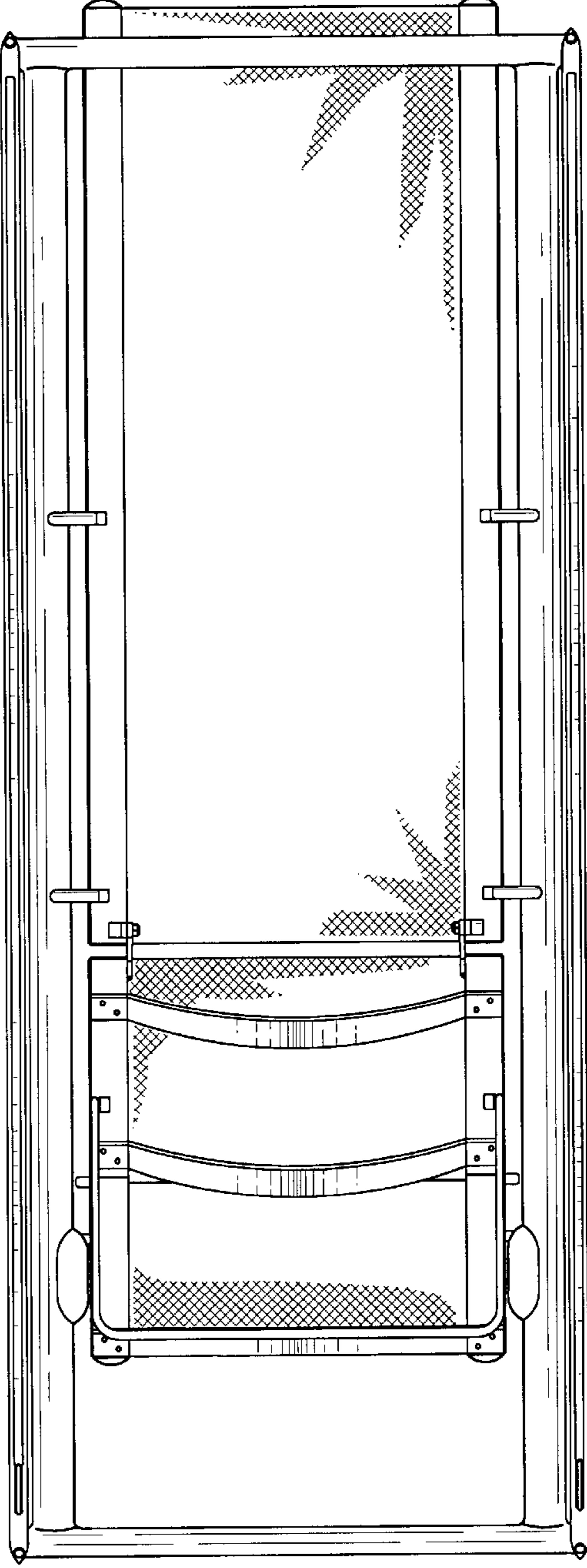


FIG. 4

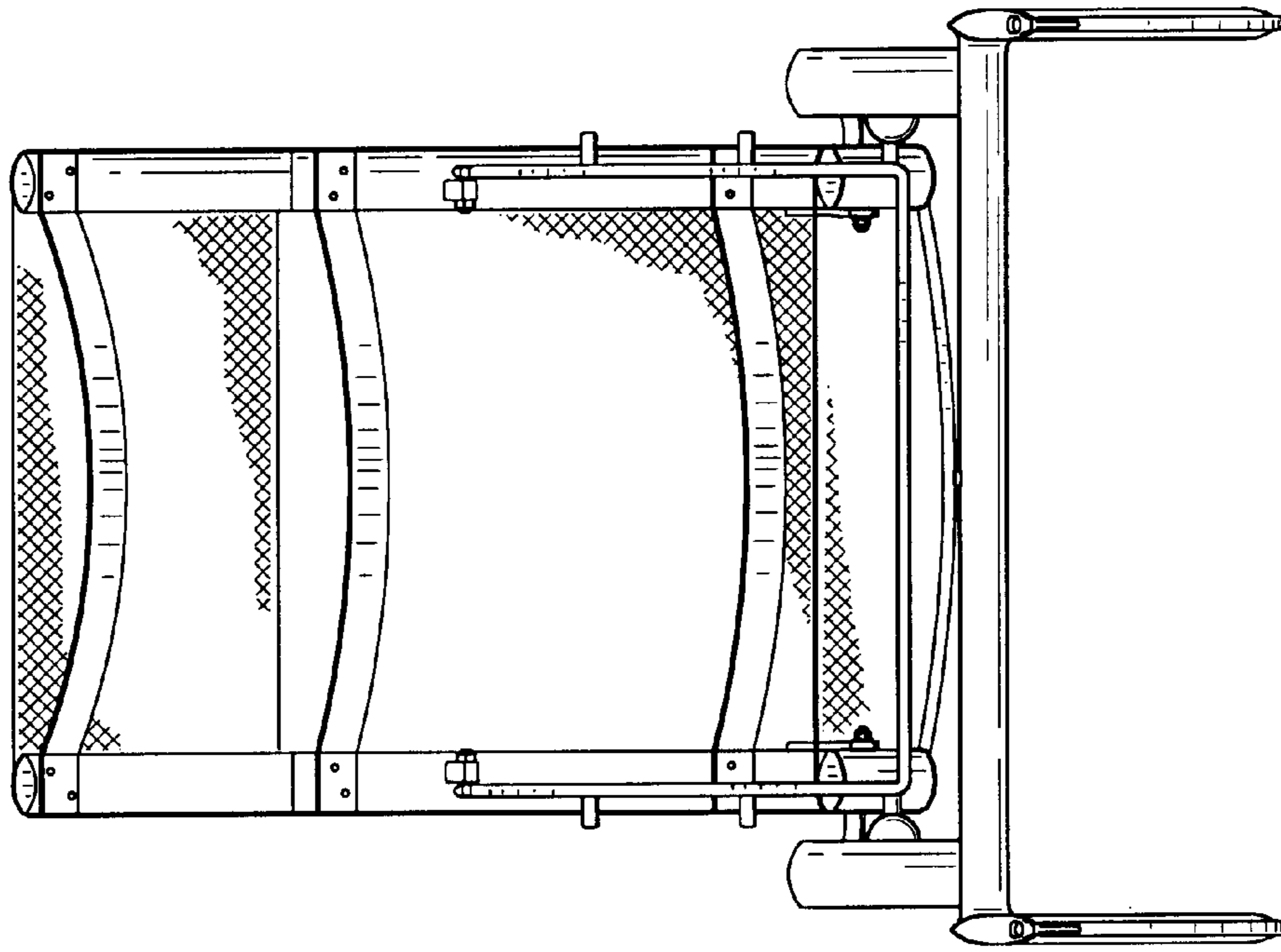


FIG. 6

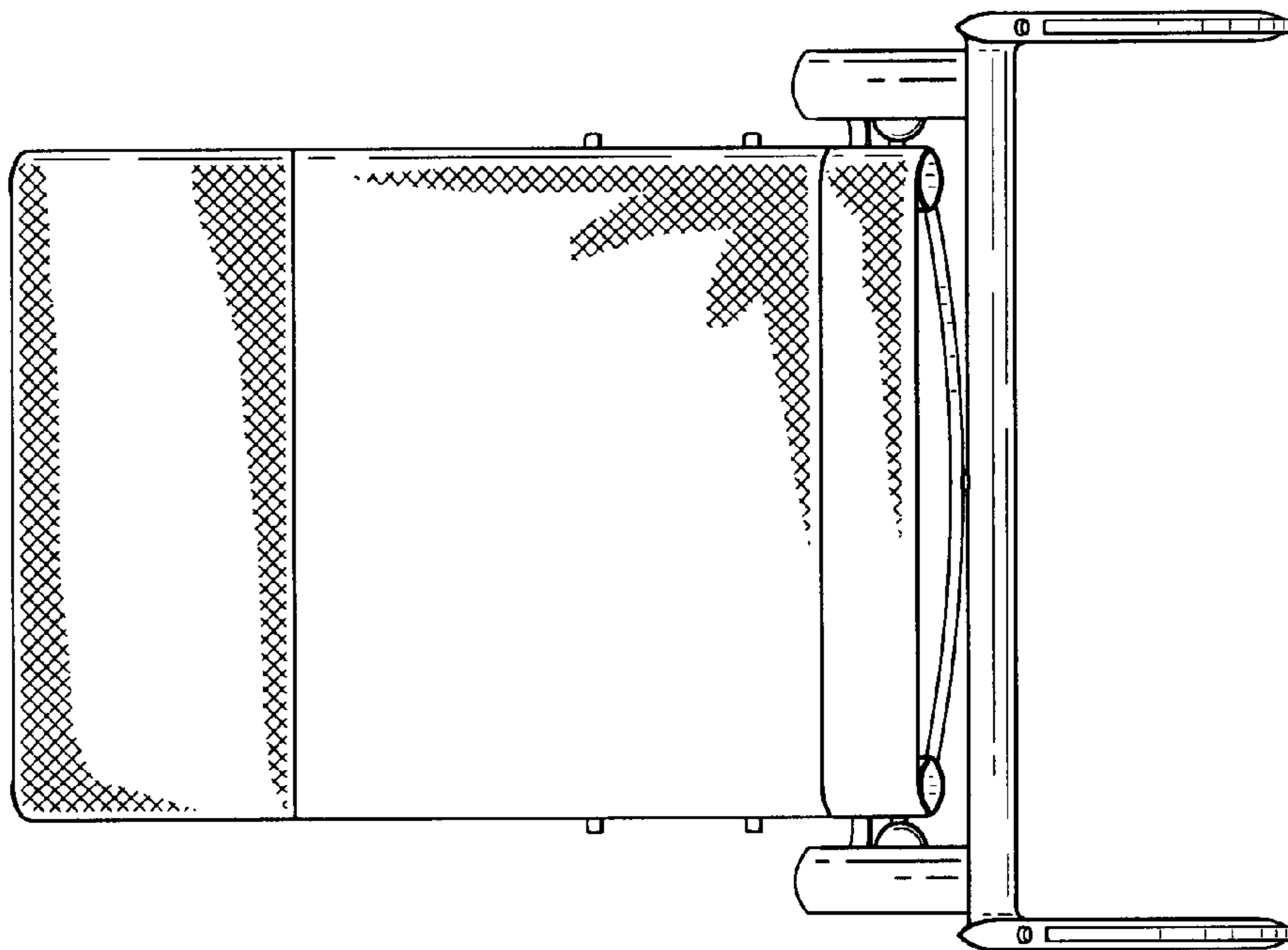


FIG. 5