

US00D503548S

(12) **United States Design Patent** (10) **Patent No.:** **US D503,548 S**  
**Peters** (45) **Date of Patent:** **\*\* Apr. 5, 2005**

(54) **MULTIFUNCTIONAL FURNITURE**

(76) **Inventor:** **Joseph Carl Peters**, 127 Longfields Way, Downingtown, PA (US) 19335

(\*\*) **Term:** **14 Years**

(21) **Appl. No.:** **29/207,413**

(22) **Filed:** **Jun. 15, 2004**

(51) **LOC (7) Cl.** ..... **06-01**

(52) **U.S. Cl.** ..... **D6/335**

(58) **Field of Search** ..... D6/334-336, 349, D6/361, 364, 365, 371, 374, 375, 381, 500-502; 297/118, 119, 440.1, 440.14, 440.23; 5/12.1, 12.2, 14, 17

(56) **References Cited**

**U.S. PATENT DOCUMENTS**

426,026	A	*	4/1890	Langhorne	.....	5/14
1,408,014	A	*	2/1922	Luppino	.....	5/14
1,660,119	A	*	2/1928	Decker	.....	446/69
1,738,137	A	*	12/1929	Brady et al.	.....	5/17
1,951,805	A	*	3/1934	Palmieri	.....	5/14
2,367,266	A	*	1/1945	Cooper	.....	5/17

(Continued)

*Primary Examiner*—Mimosa De

(57) **CLAIM**

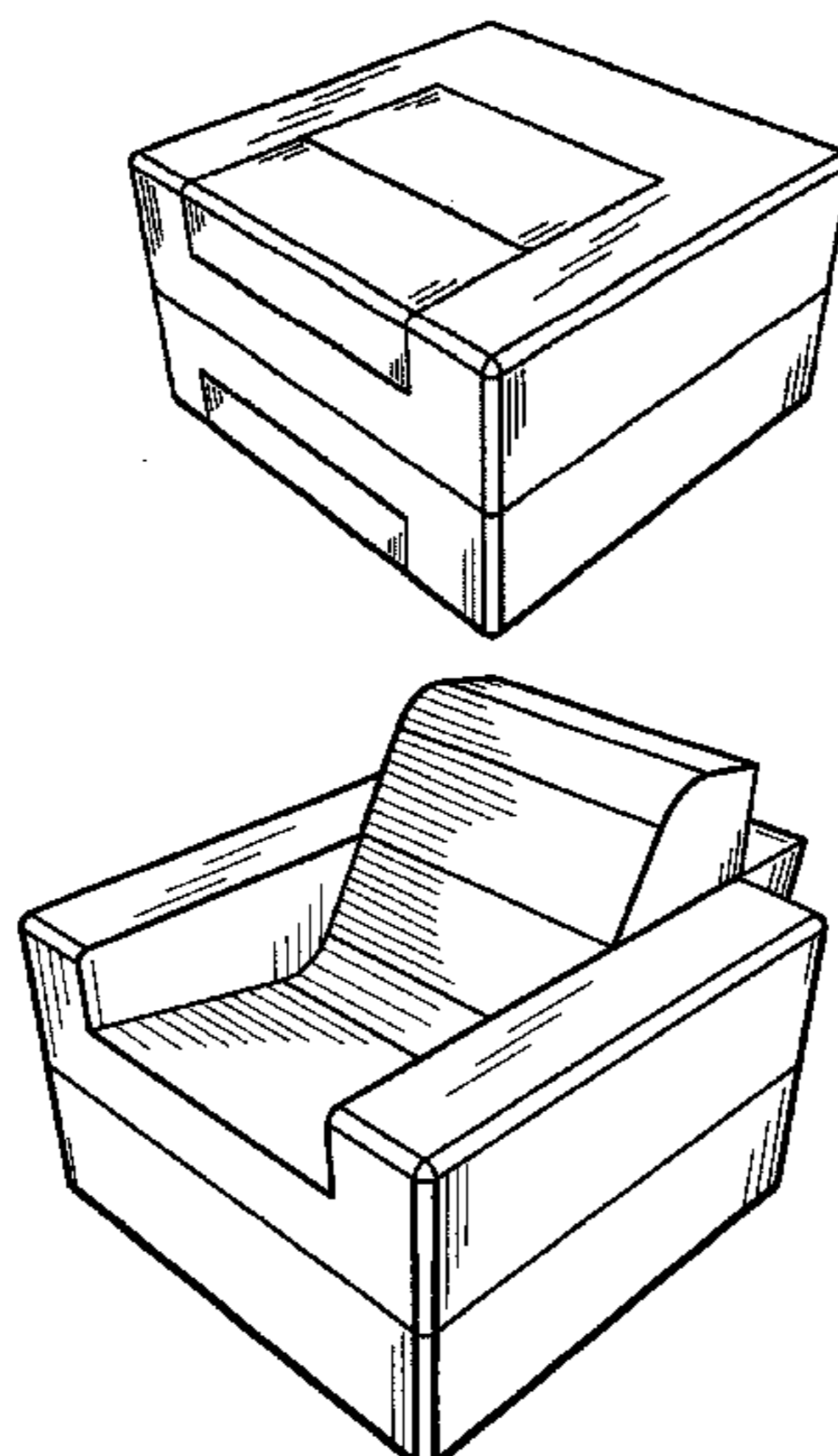
The ornamental design for multifunctional furniture, as shown and described.

**DESCRIPTION**

FIG. 1 is a front elevation of the present invention in table orientation;  
 FIG. 2 is a rear elevation of the present invention in table orientation;  
 FIG. 3 is a side elevation of the present invention in table orientation, the opposite side being a mirror image thereof;  
 FIG. 4 is a top plan view of the present invention in table orientation;

FIG. 5 is a bottom plan view of the present invention in table orientation;  
 FIG. 6 is a perspective view of the present invention in table orientation;  
 FIG. 7 is a front elevation of the present invention in chair orientation;  
 FIG. 8 is a rear elevation of the present invention in chair orientation;  
 FIG. 9 is a side elevation of the present invention in chair orientation, the opposite side being a mirror image thereof;  
 FIG. 10 is a top plan view of the present invention in chair orientation;  
 FIG. 11 is a bottom plan view of the present invention in chair orientation;  
 FIG. 12 is a perspective view of the present invention in chair orientation;  
 FIG. 13 is a front elevation of the present invention in bed orientation;  
 FIG. 14 is a rear elevation of the present invention in bed orientation;  
 FIG. 15 is a side elevation of the present invention in bed orientation, the opposite side being a mirror image thereof;  
 FIG. 16 is a top plan view of the present invention in bed orientation;  
 FIG. 17 is a bottom plan view of the present invention in bed orientation;  
 FIG. 18 is a perspective view of the present invention in bed orientation;  
 FIG. 19 is a front elevation of the present invention in chaise orientation, with leg bolsters removed;  
 FIG. 20 is a rear elevation of the present invention in chaise orientation, with leg bolsters removed;  
 FIG. 21 is a side elevation of the present invention in chaise orientation, with leg bolsters removed, the opposite side being a mirror image thereof;  
 FIG. 22 is a top plan view of the present invention in chaise orientation, with leg bolsters removed;  
 FIG. 23 is a bottom plan view of the present invention in chaise orientation, with leg bolsters removed; and,  
 FIG. 24 is a perspective view of the present invention in chaise orientation, with leg bolsters removed and shown.

**1 Claim, 14 Drawing Sheets**



# US D503,548 S

Page 2

---

## U.S. PATENT DOCUMENTS

2,377,374 A *	6/1945	Roth	.....	5/17	D273,254 S *	4/1984	Fairaizen	.....	D6/335
2,489,105 A *	11/1949	Pesta	.....	5/17	D327,985 S *	7/1992	Harris	.....	D6/335
2,593,319 A *	4/1952	Levitin et al.	.....	5/657	5,263,764 A *	11/1993	Laughlin et al.	.....	297/440.23
4,212,090 A *	7/1980	Ehrlich	.....	5/14	6,170,908 B1 *	1/2001	Jewell	.....	297/118
4,292,697 A *	10/1981	Alembik	.....	5/17	6,270,155 B1 *	8/2001	Rashid	.....	5/657
D263,770 S *	4/1982	Melchior	.....	D6/334					

\* cited by examiner

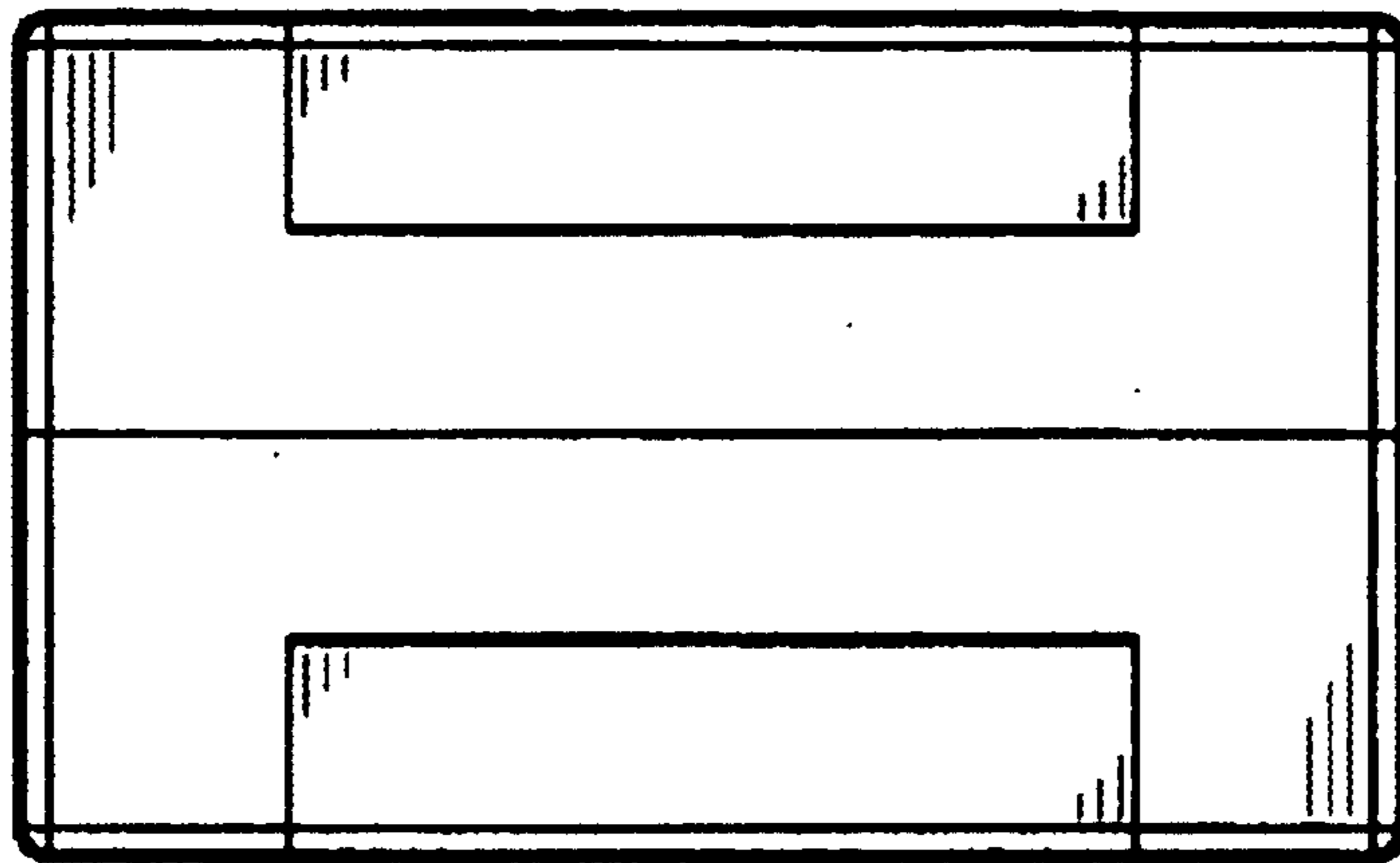


Fig. 1

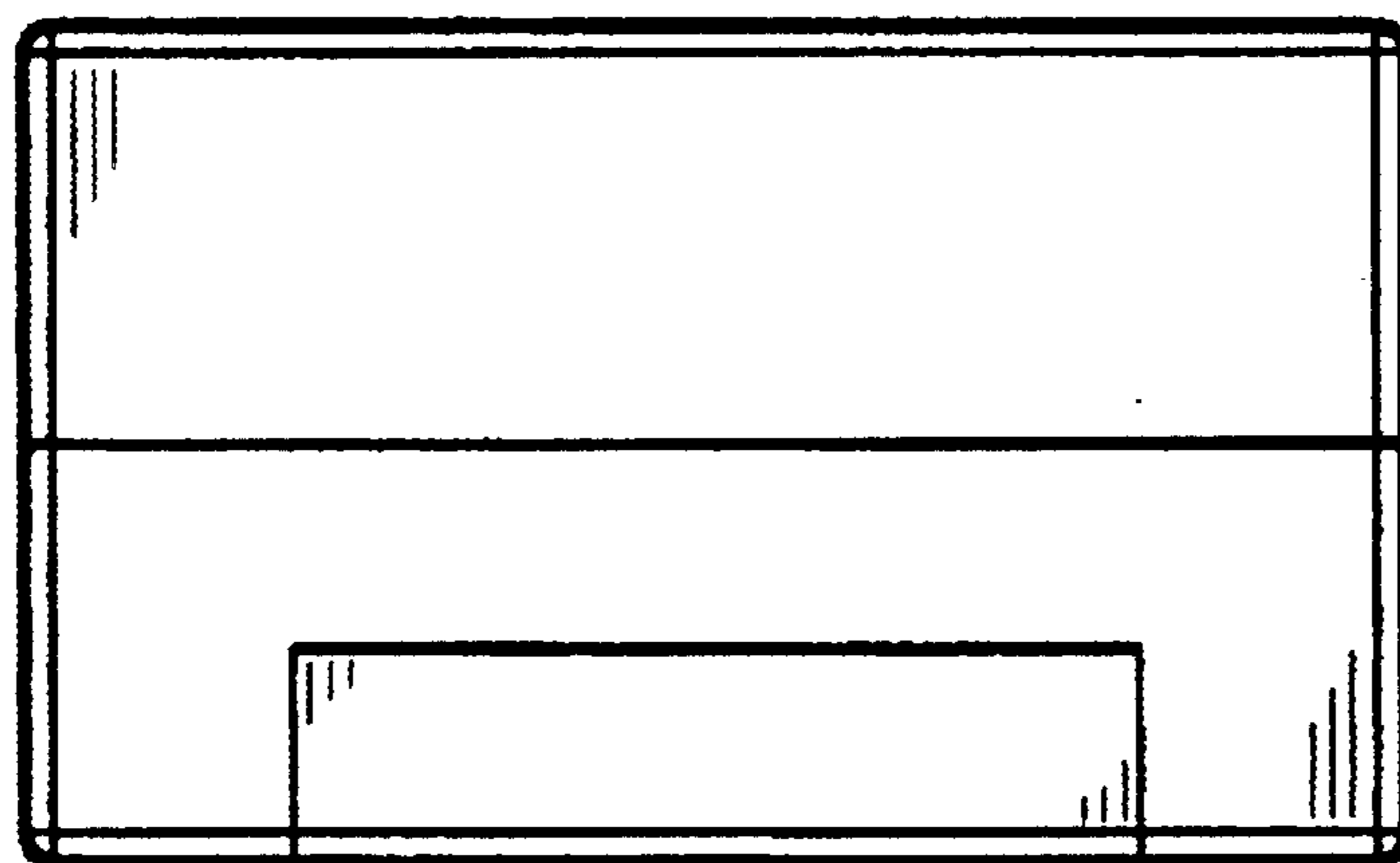


Fig. 2

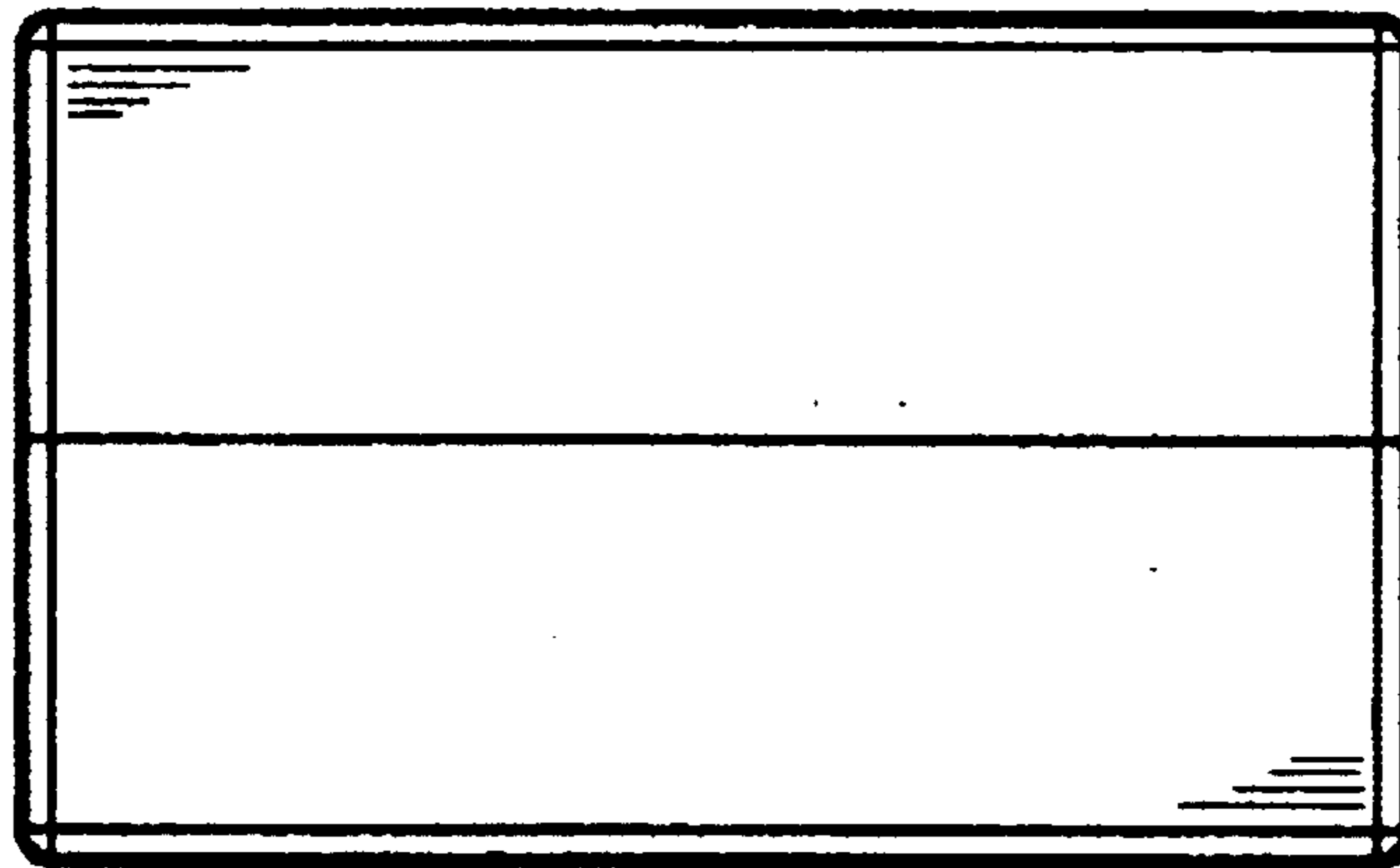


Fig. 3

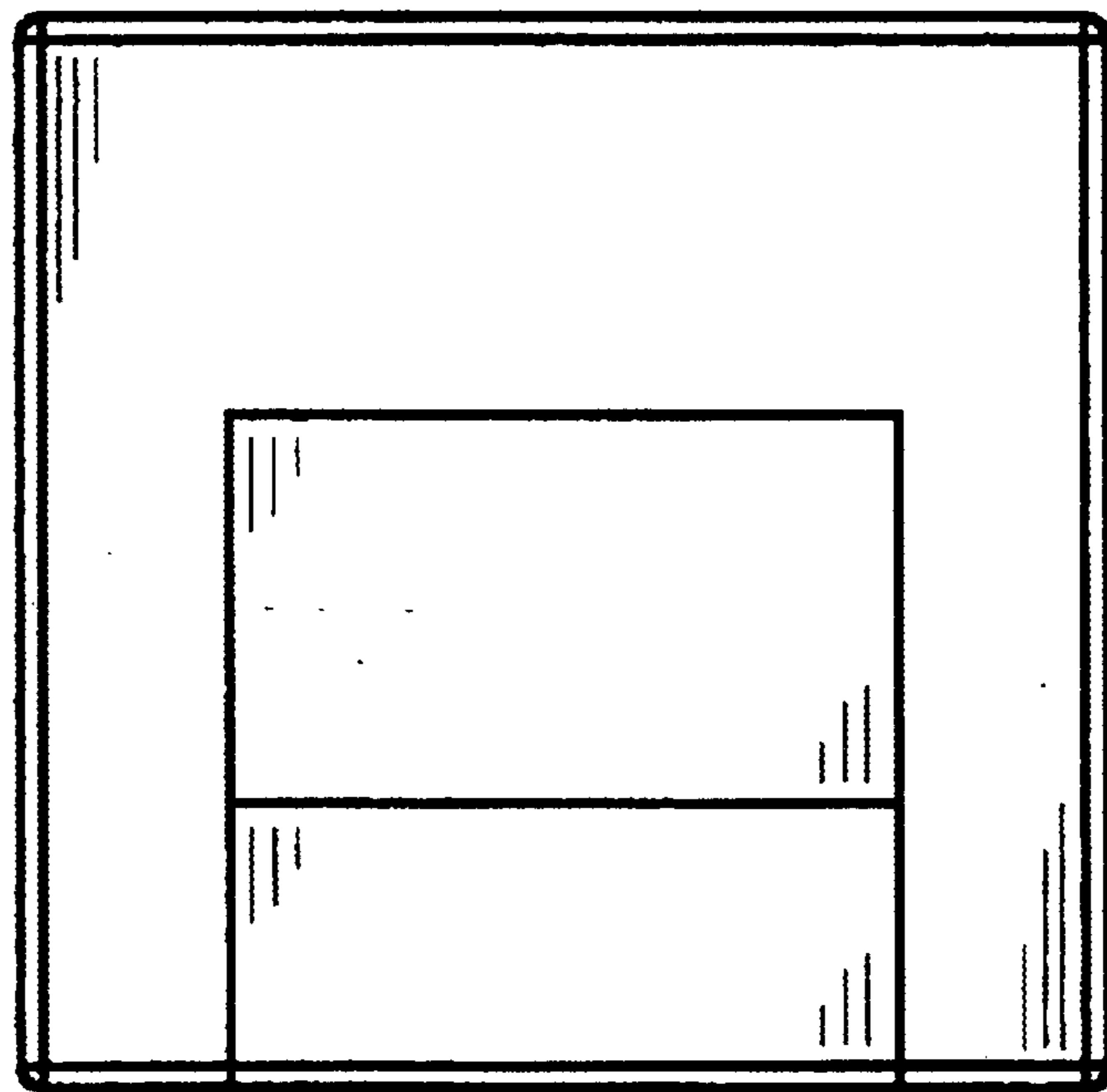


Fig. 4

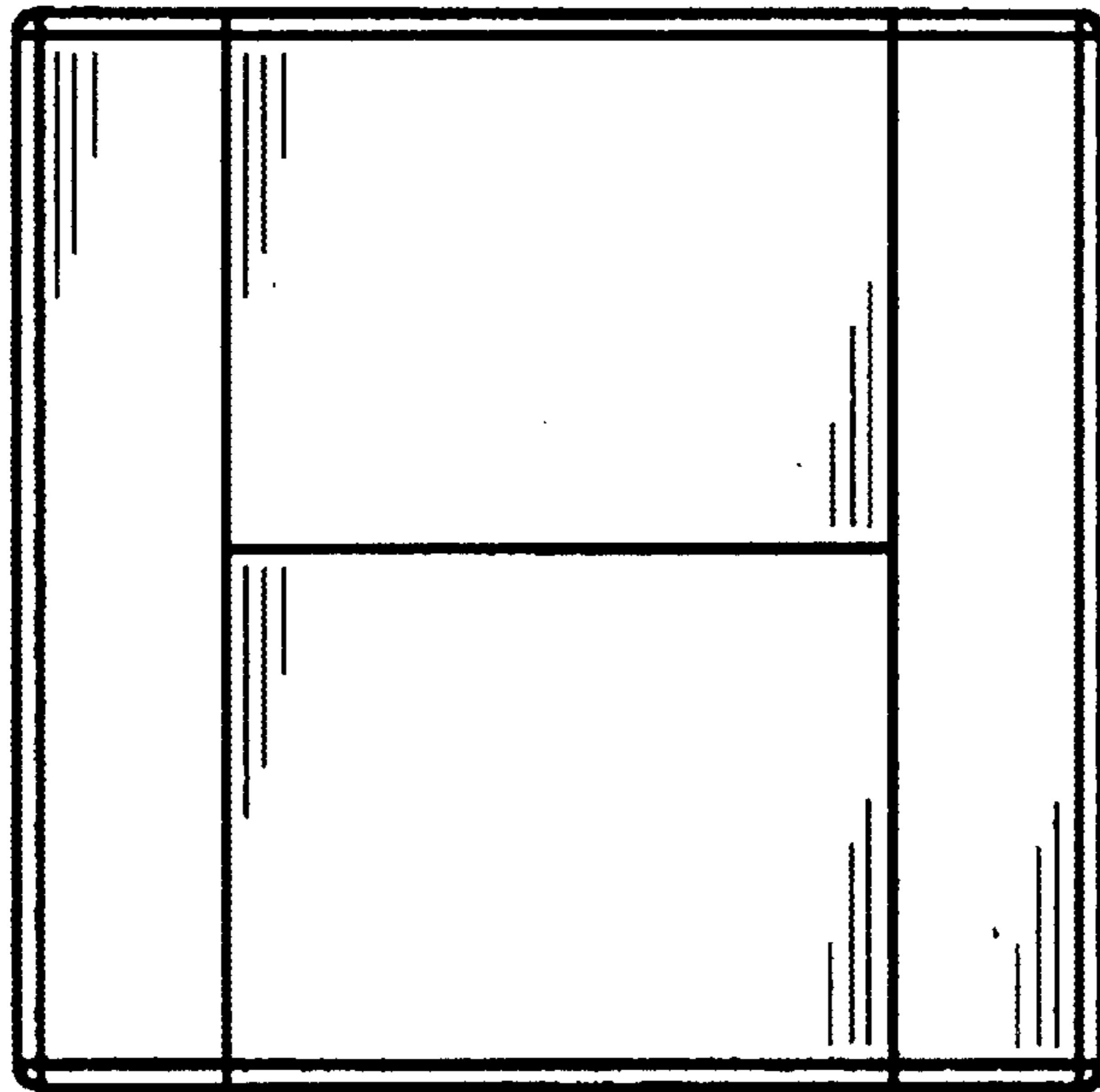


Fig. 5

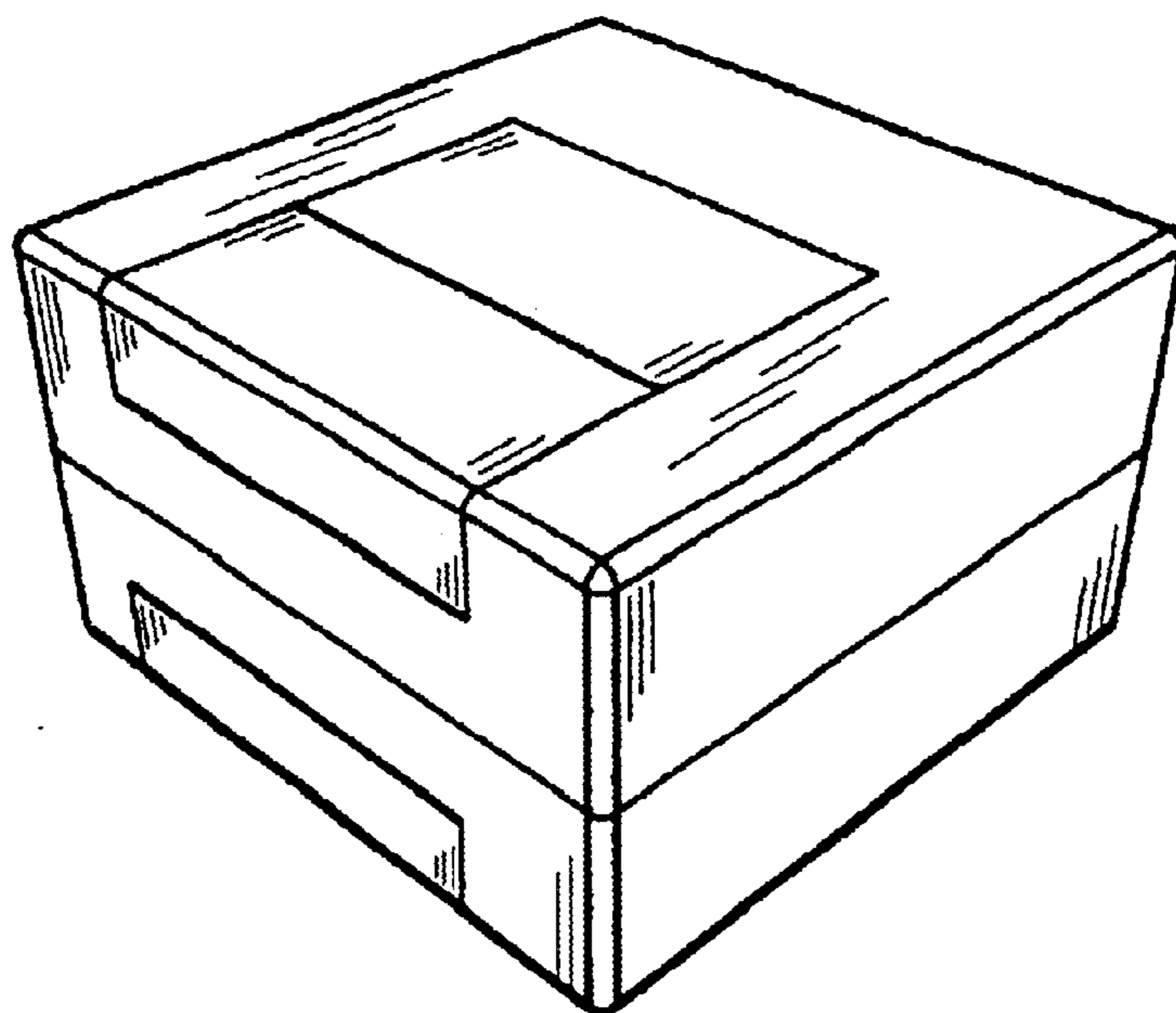


Fig. 6

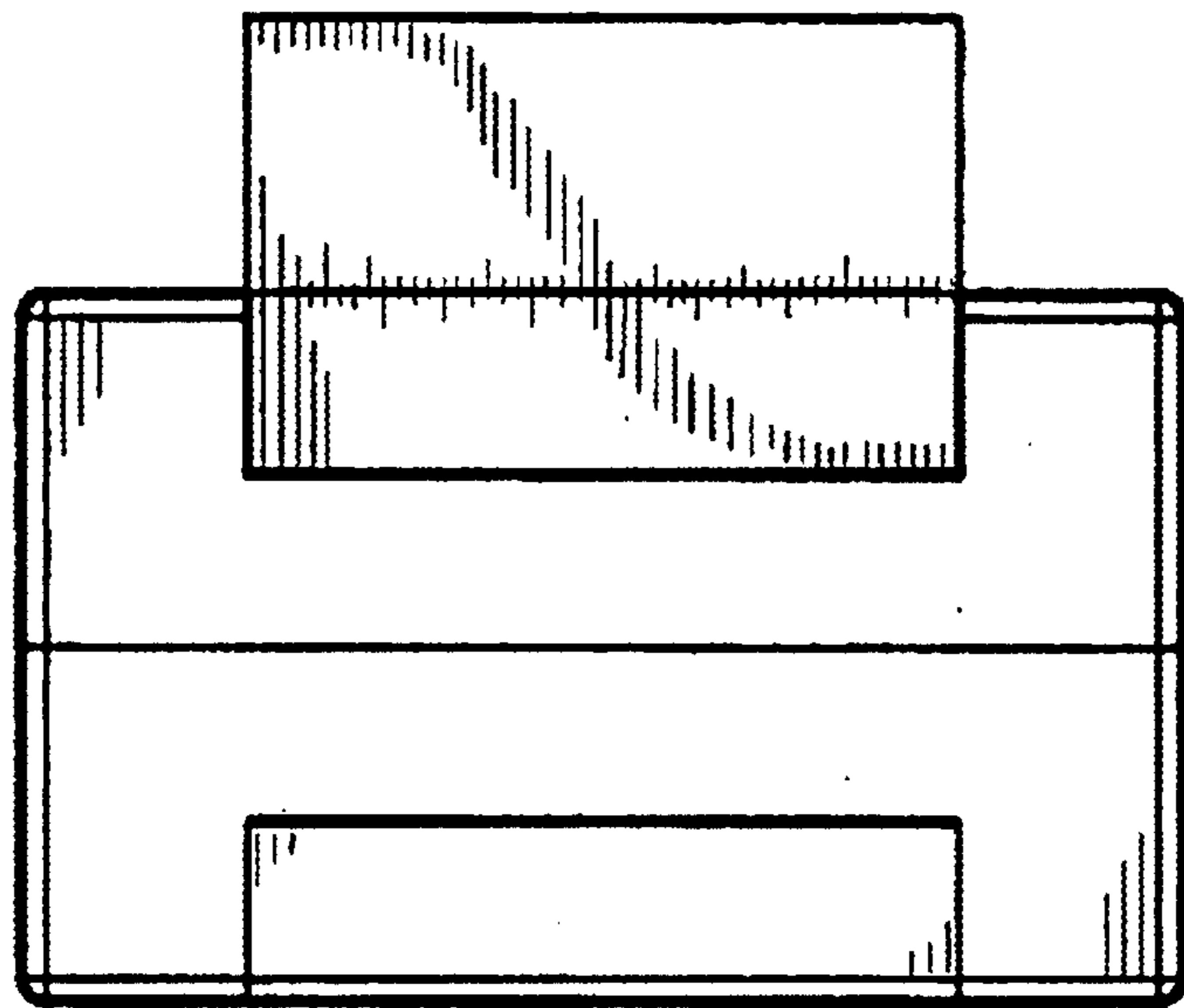


Fig. 7

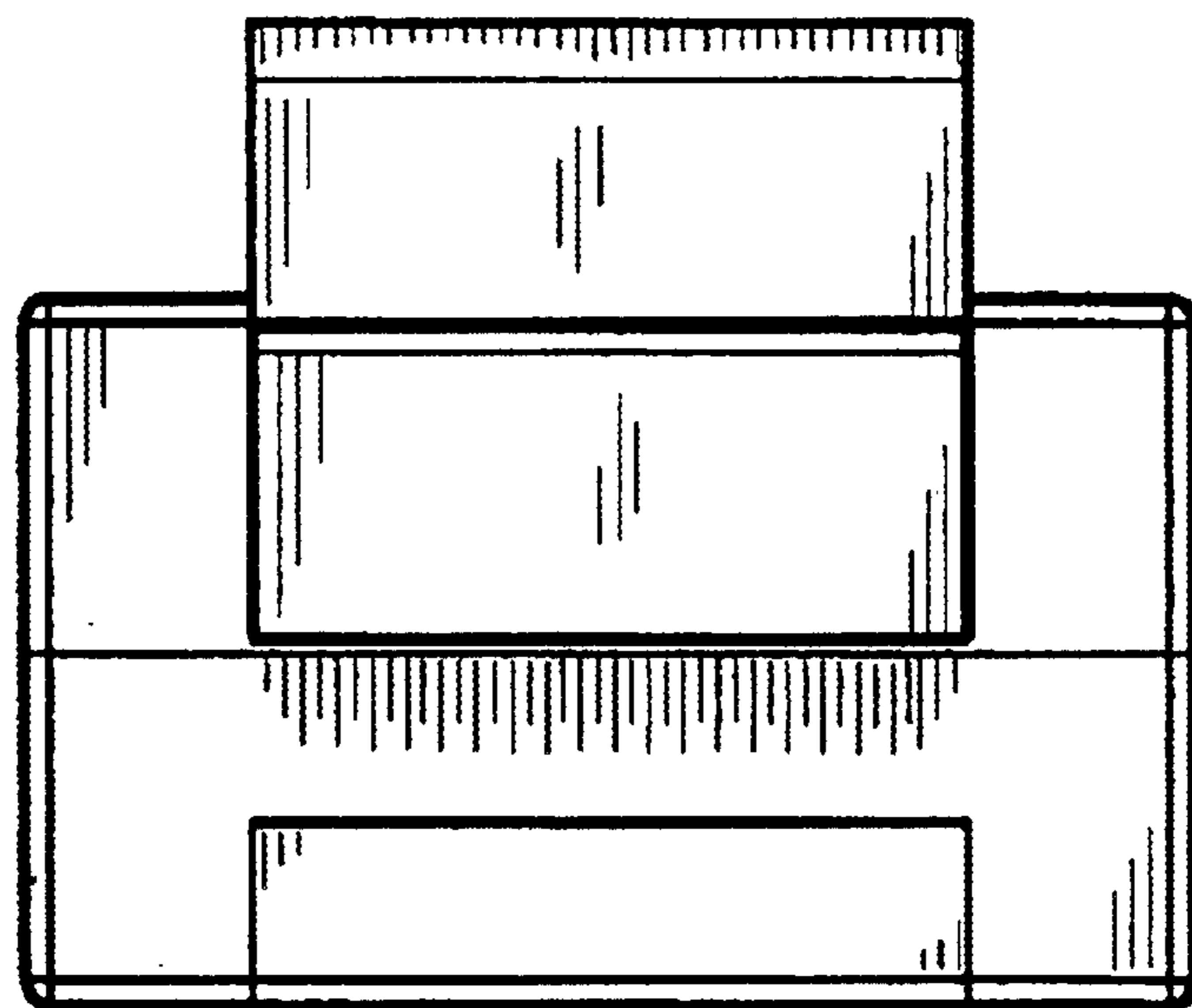


Fig. 8

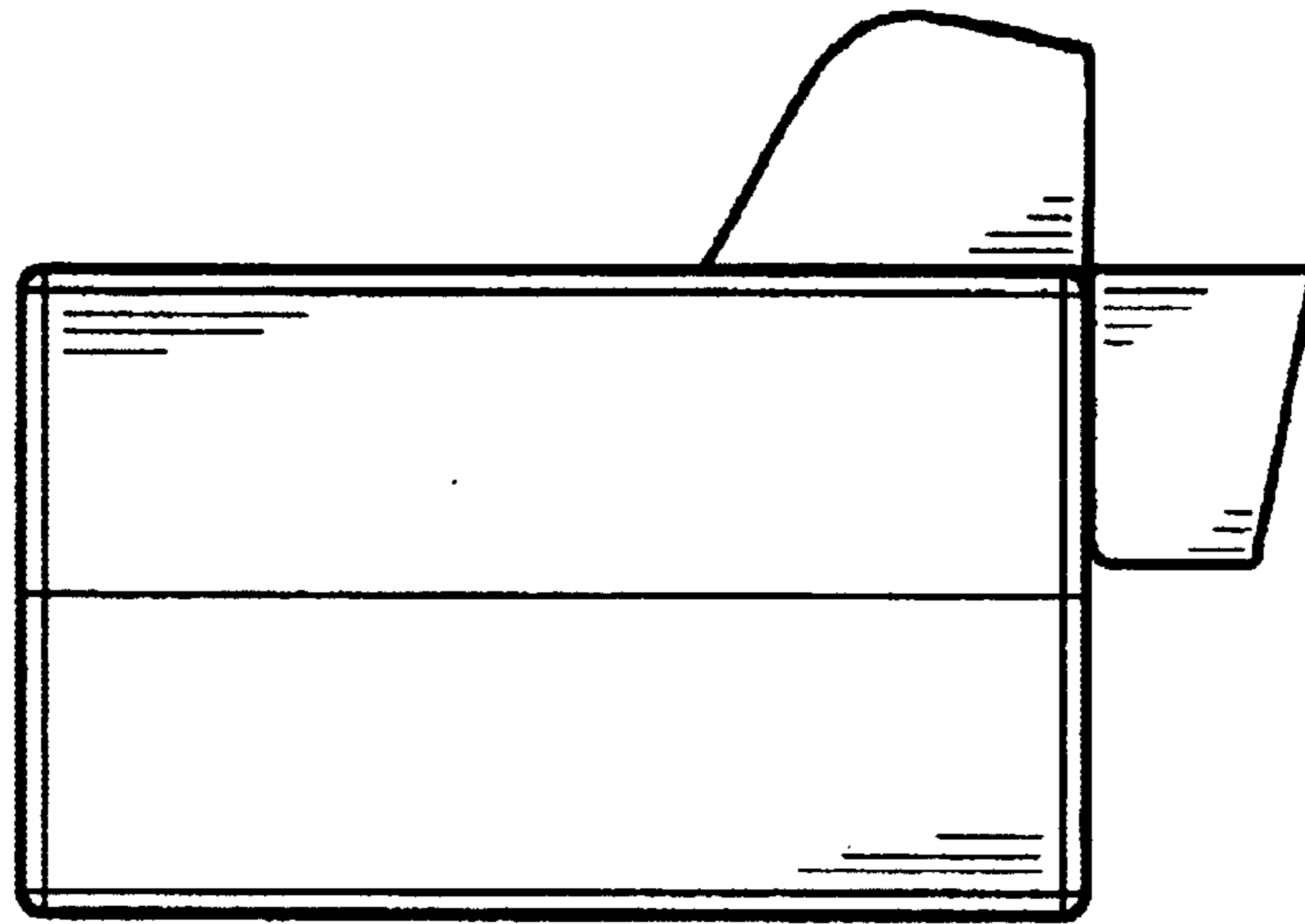


Fig. 9

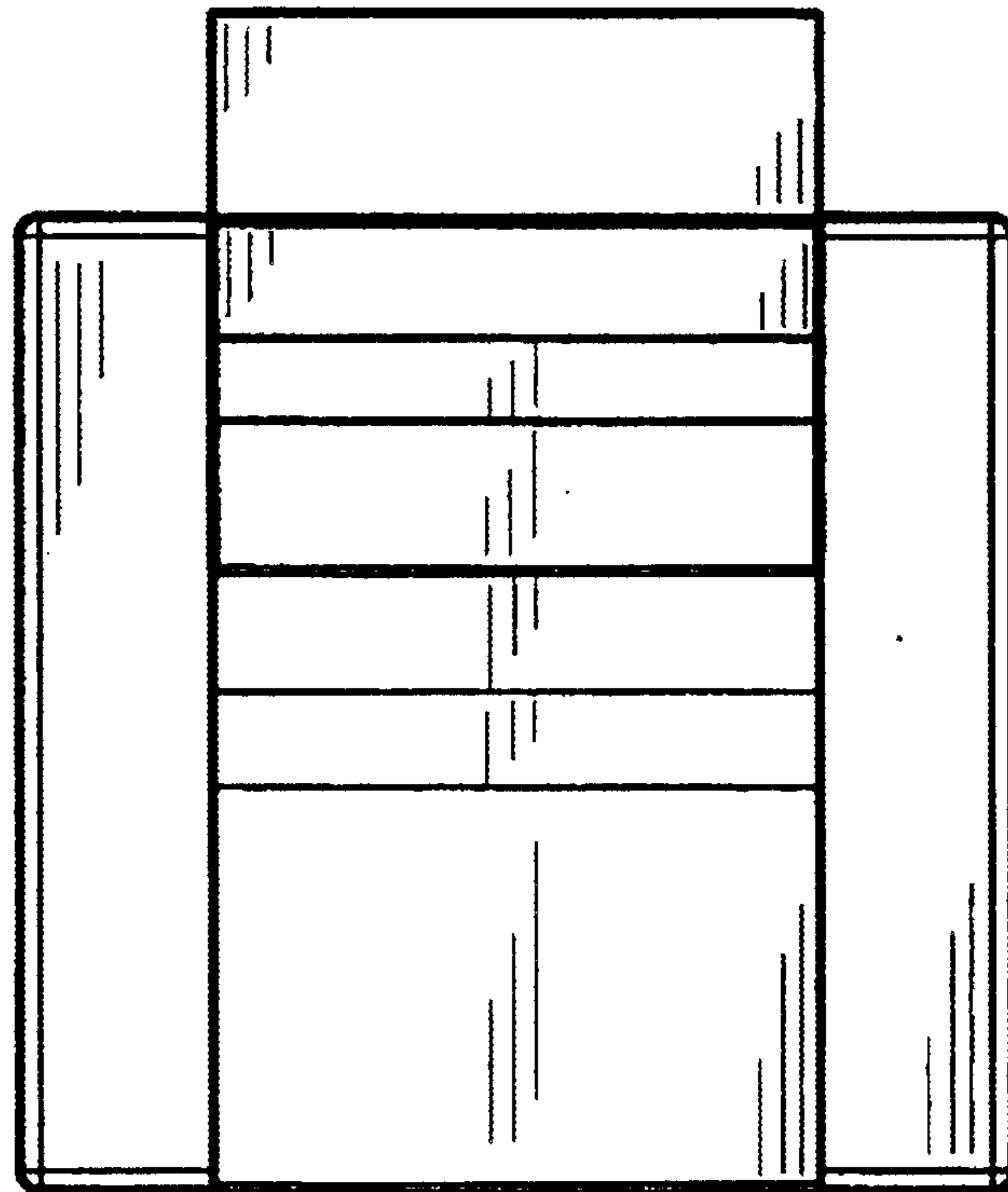


Fig. 10

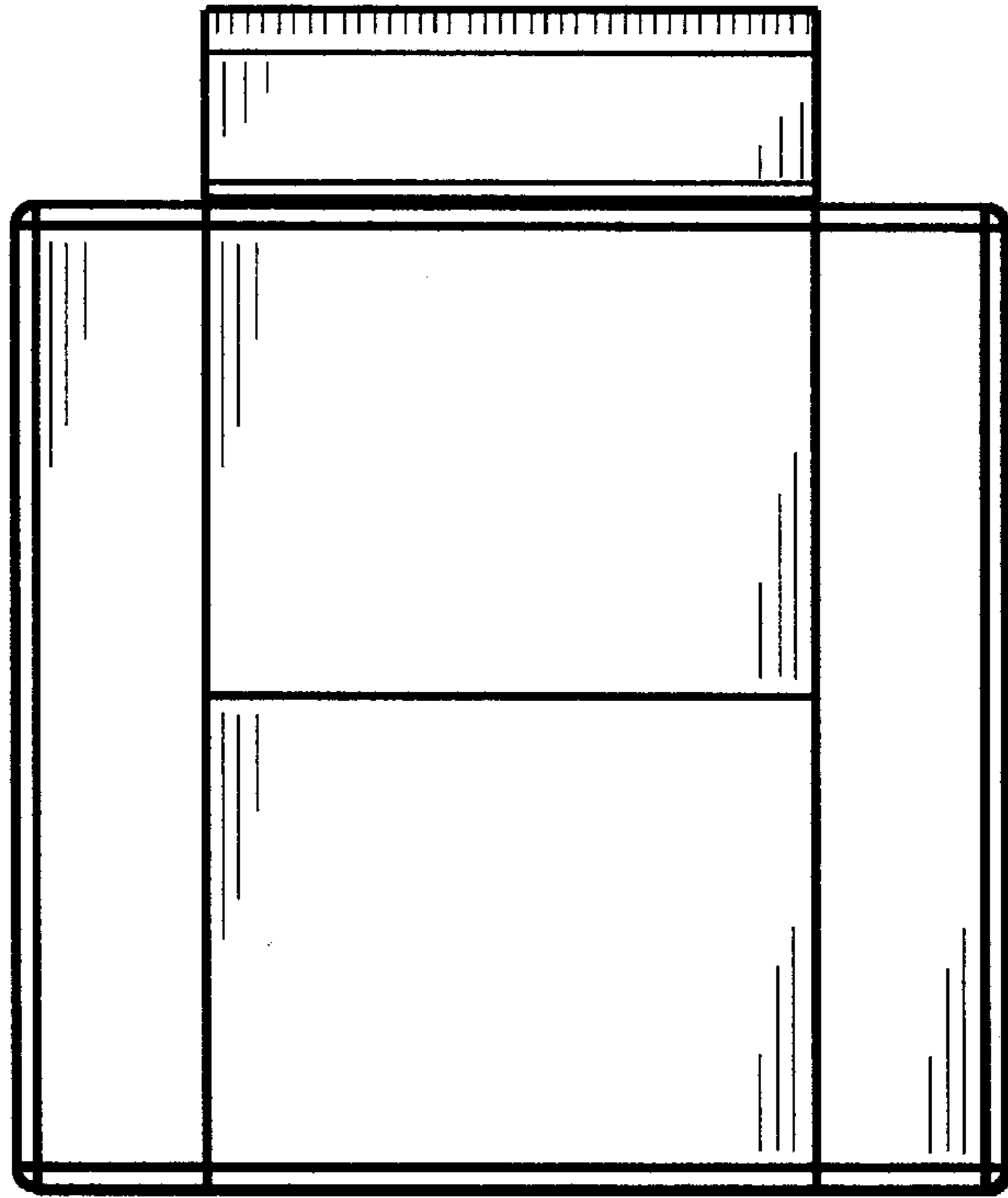


Fig. 11

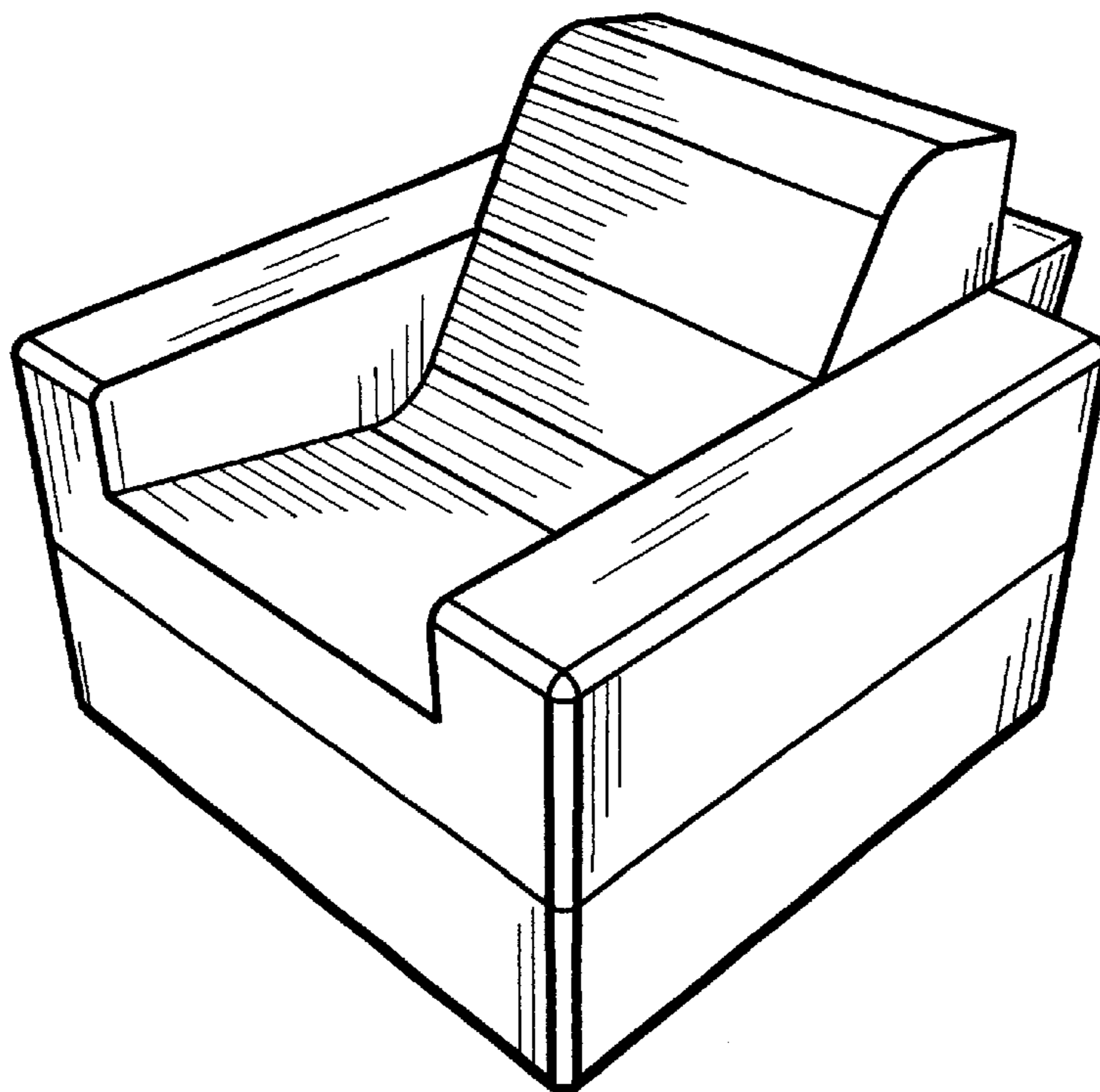


Fig. 12



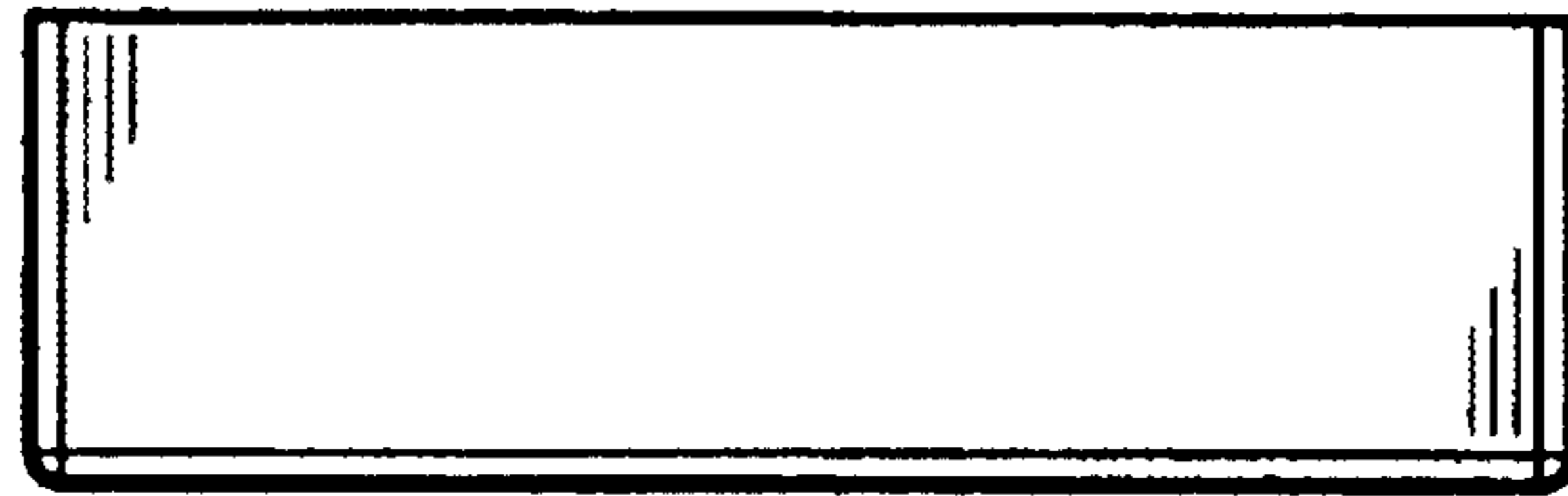


Fig. 13

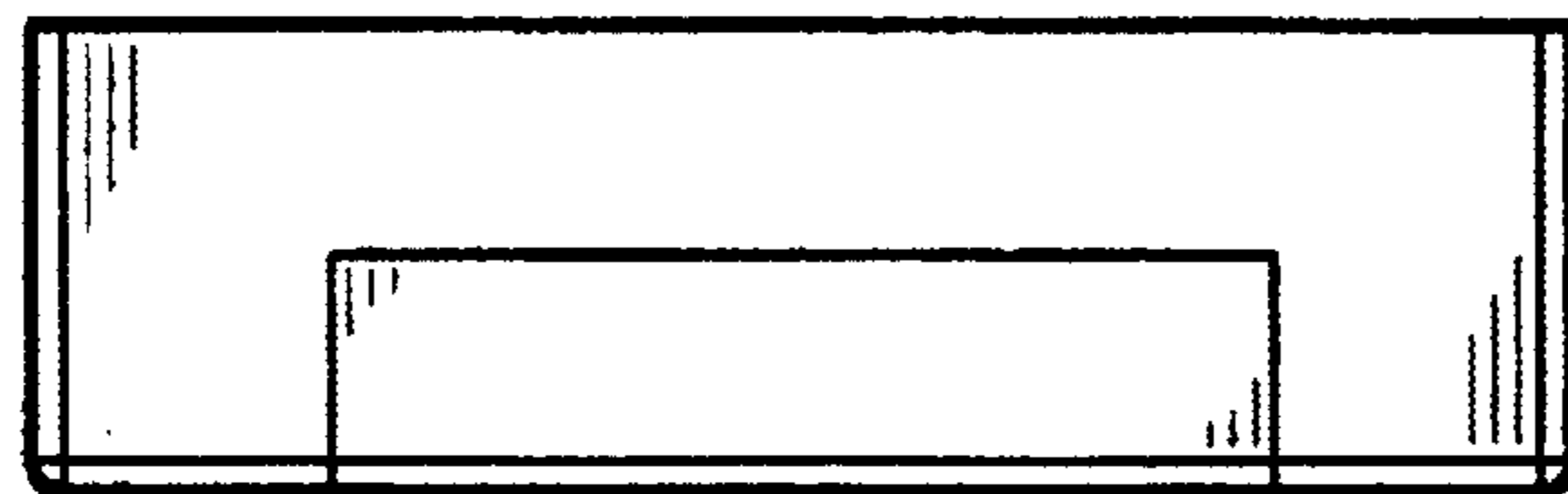


Fig. 14

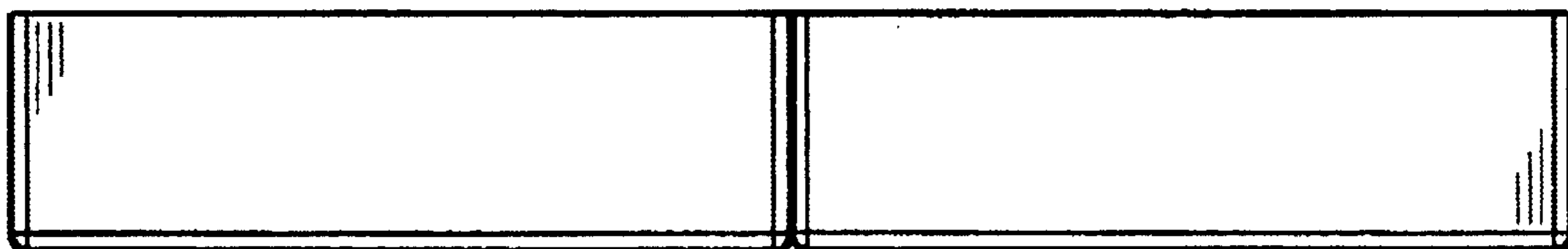


Fig. 15

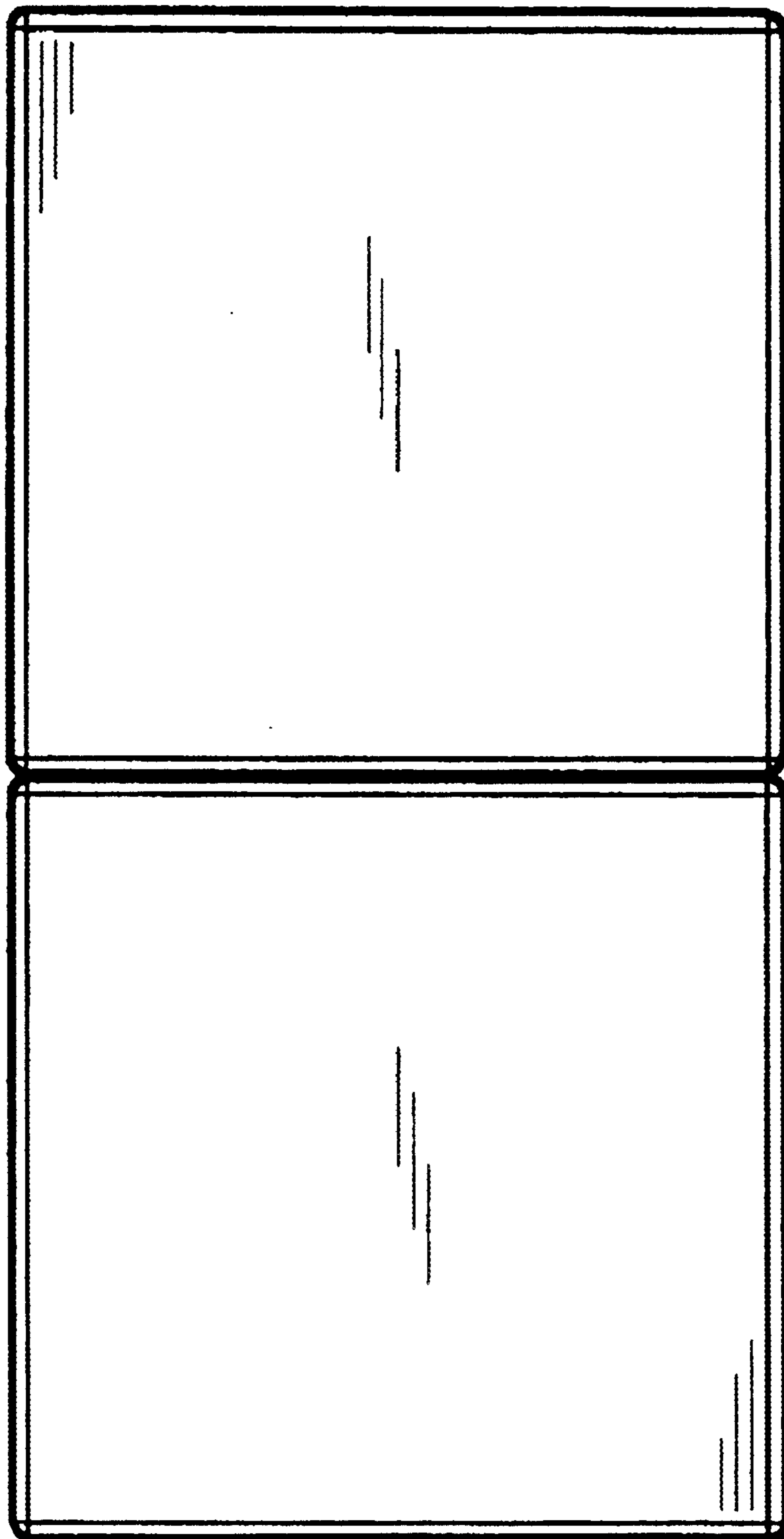


Fig. 16

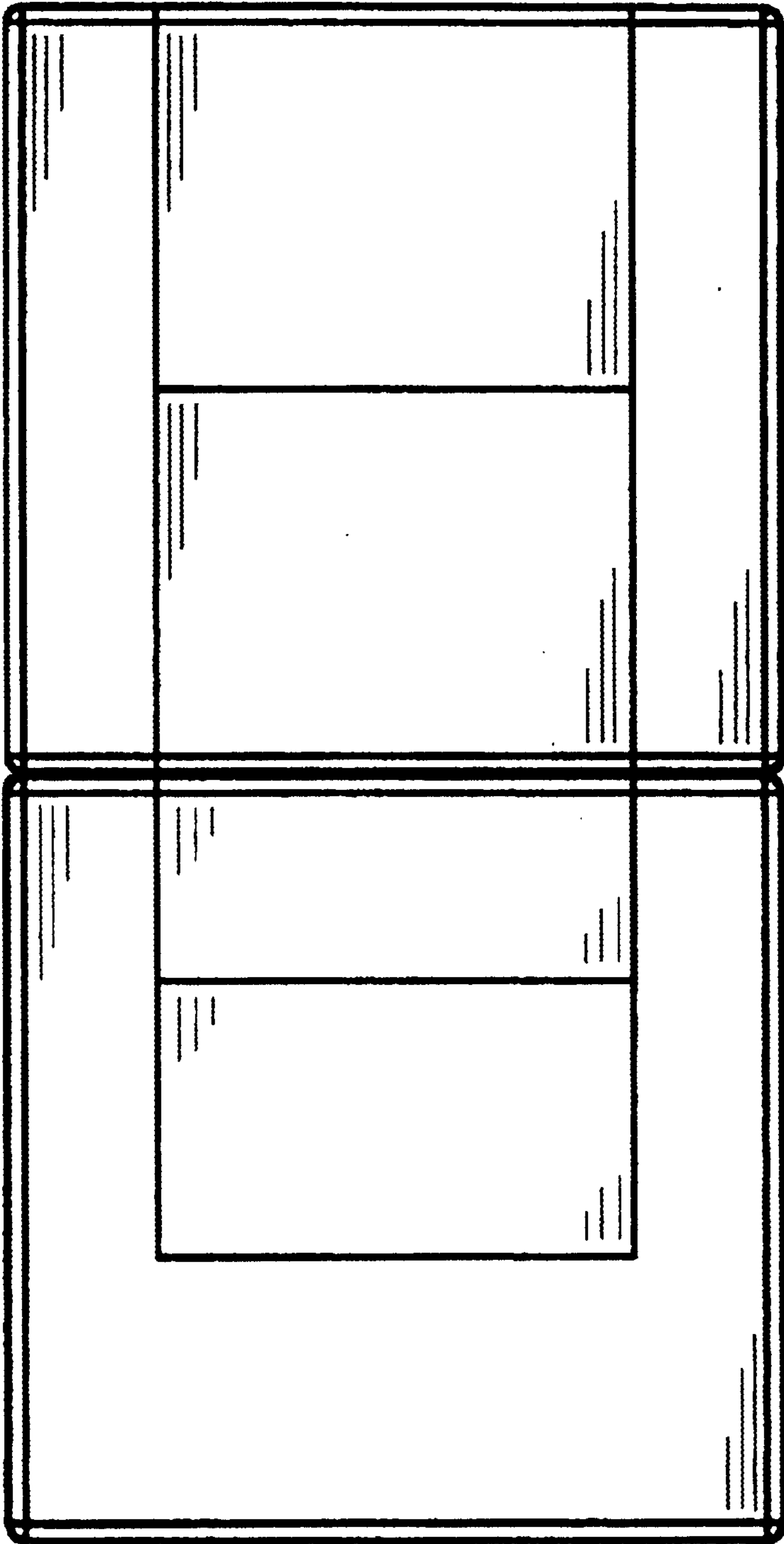


Fig. 17

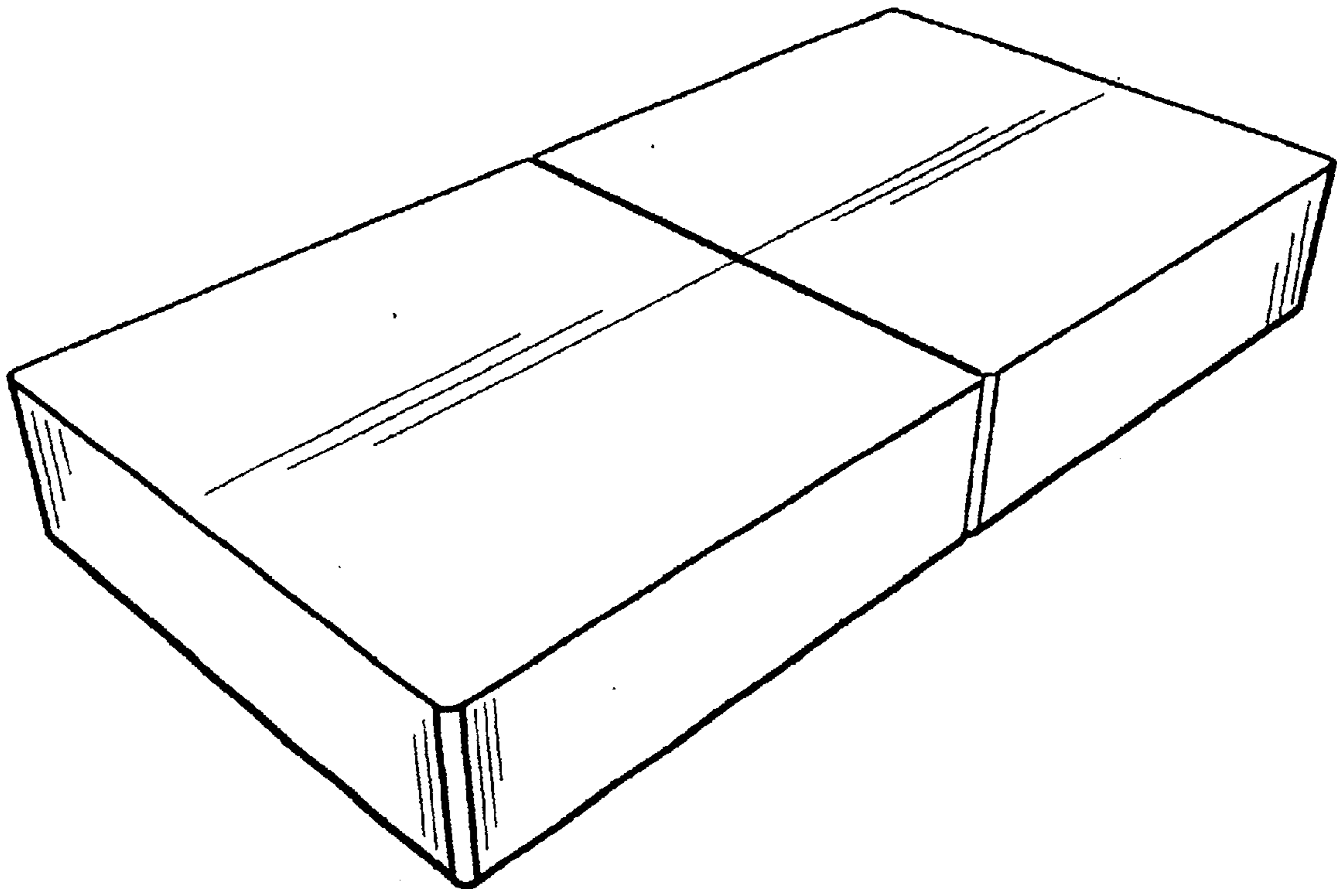


Fig. 18

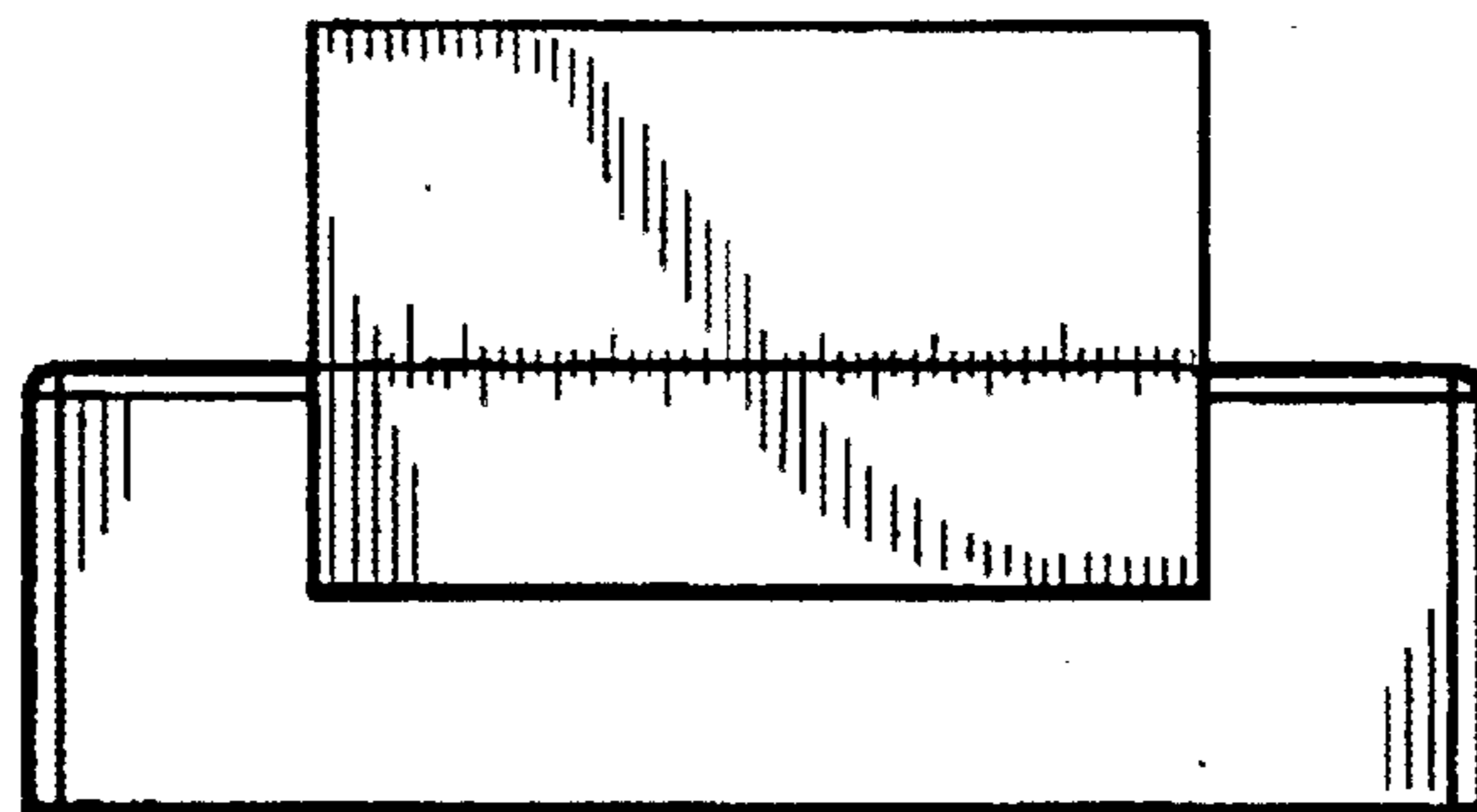


Fig. 19

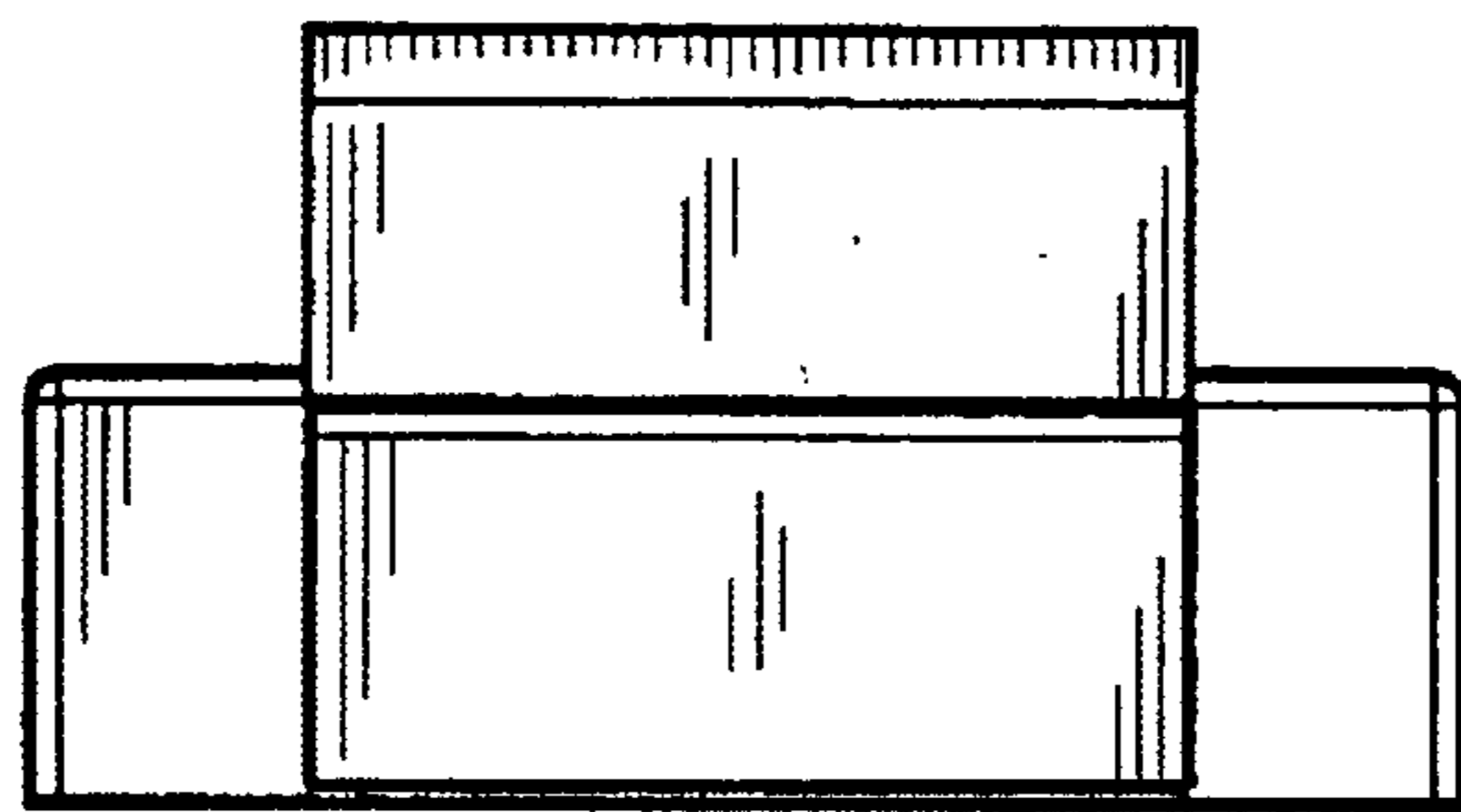


Fig. 20

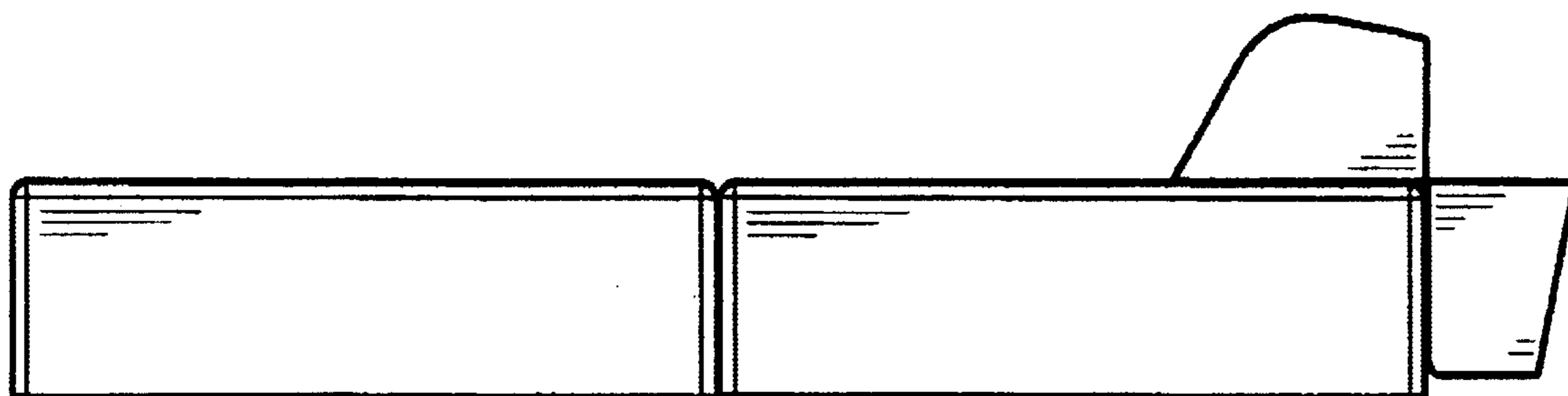


Fig. 21

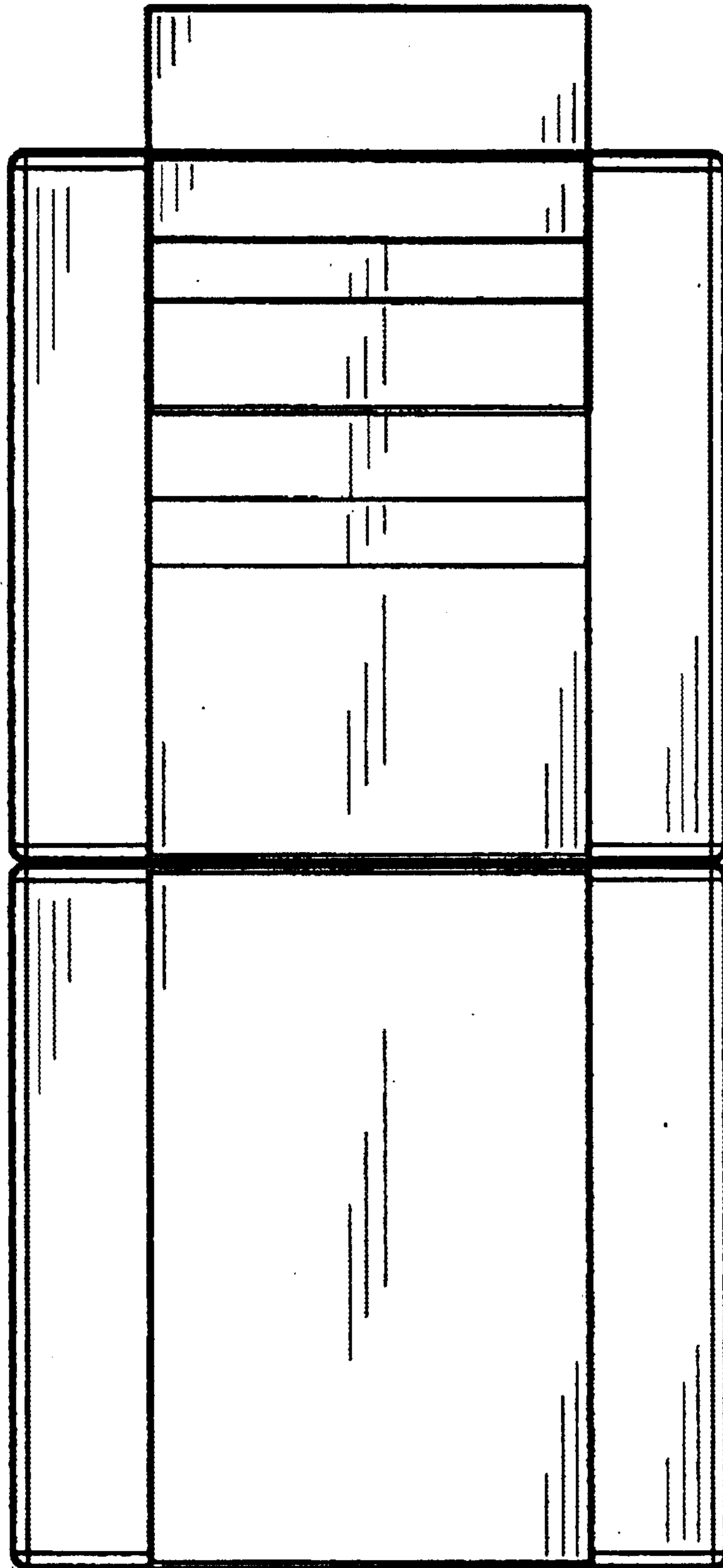


Fig. 22

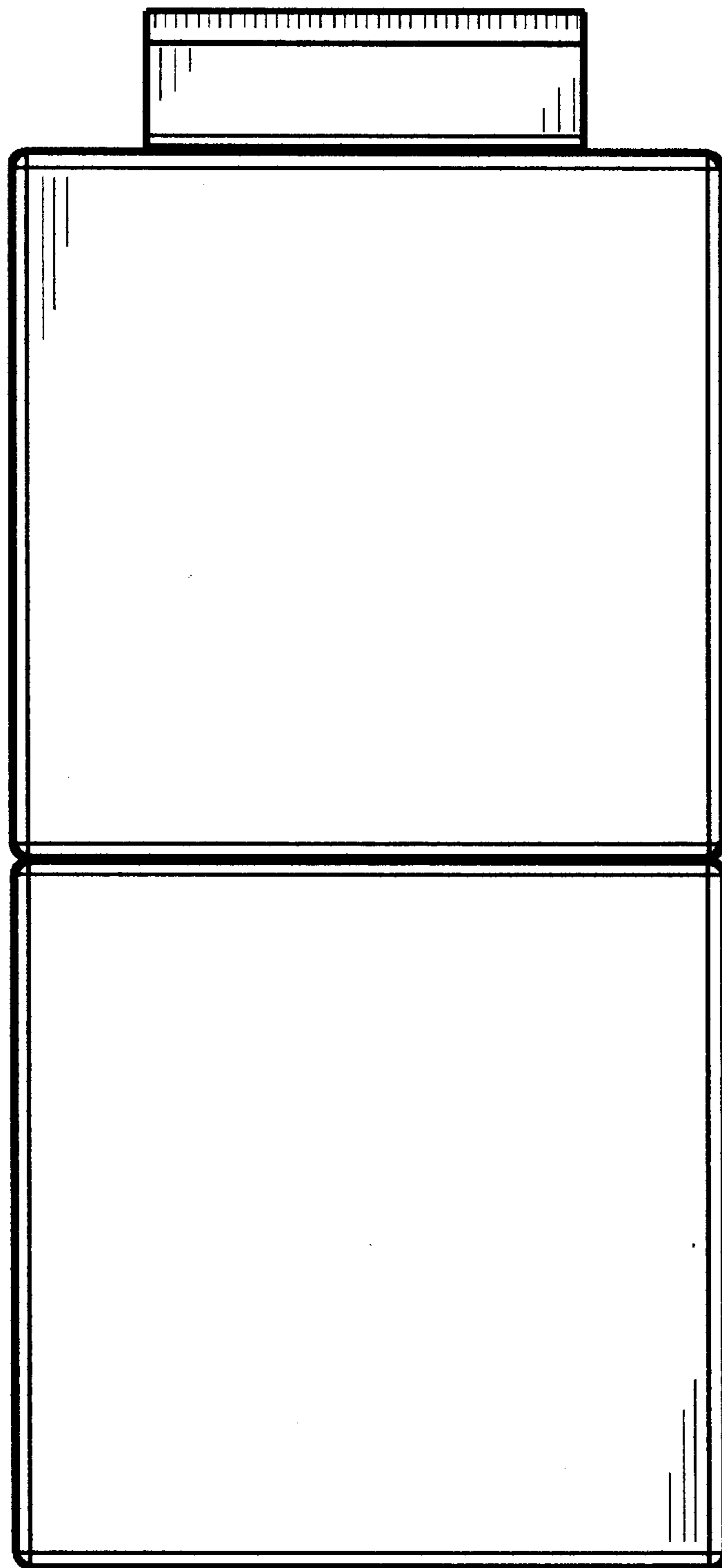


Fig. 23

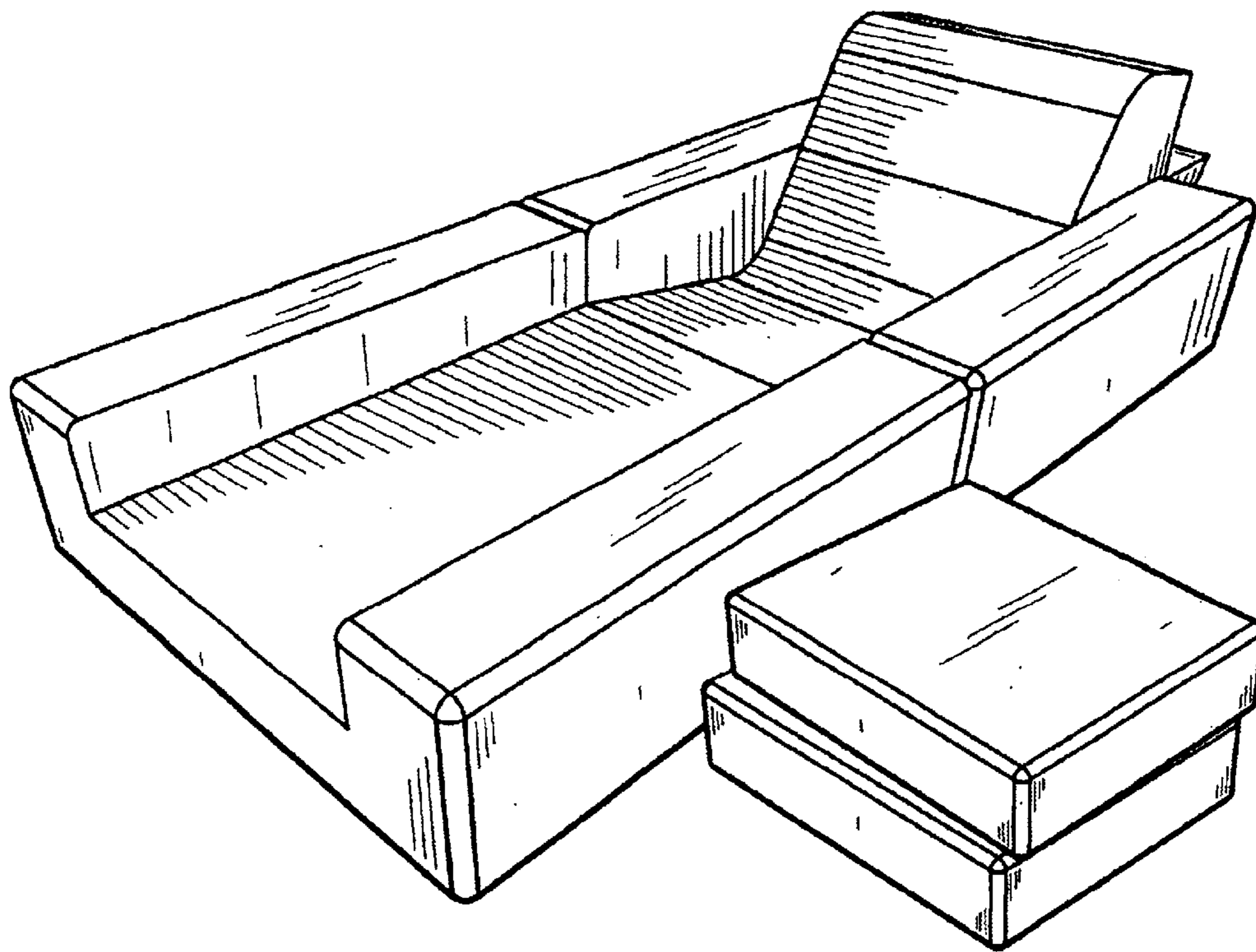


Fig. 24