

US00D503546S

(12) **United States Design Patent**  
**Oxseth**

(10) **Patent No.:** **US D503,546 S**

(45) **Date of Patent:** **\*\* Apr. 5, 2005**

(54) **CHILD SEAT**

(75) **Inventor:** **Hilde Angelfoss Oxseth, Alesund (NO)**

(73) **Assignee:** **Stokke Gruppen AS, Skodje (NO)**

(\*\*) **Term:** **14 Years**

(21) **Appl. No.:** **29/197,038**

(22) **Filed:** **Jan. 5, 2004**

(30) **Foreign Application Priority Data**

Jul. 3, 2003 (NO) ..... 2003 0379

(51) **LOC (7) Cl.** ..... **06-01**

(52) **U.S. Cl.** ..... **D6/333**

(58) **Field of Search** ..... D6/331, 333, 334,  
D6/339, 360, 374, 375, 500-502; 297/216.11,  
219.12, 250.1, 243, 255, 256, 256.12, 256.16;  
224/155, 158, 159; D3/213-215

(56) **References Cited**

**U.S. PATENT DOCUMENTS**

D227,828 S \* 7/1973 Heyl ..... D6/333  
D294,429 S \* 3/1988 Vasquez ..... D3/214  
4,747,526 A \* 5/1988 Launes ..... 224/155  
D298,388 S \* 11/1988 Wise et al. .... D6/333  
D356,447 S \* 3/1995 Peters ..... D6/333

D367,181 S \* 2/1996 Peters ..... D6/333  
D381,817 S \* 8/1997 Cone, II ..... D6/333  
D381,818 S \* 8/1997 Wood ..... D6/333

\* cited by examiner

*Primary Examiner*—Mimosa De

(74) *Attorney, Agent, or Firm*—Kolisich Hartwell, P.C.

(57) **CLAIM**

I claim the ornamental design for a child seat, as shown and described.

**DESCRIPTION**

FIG. 1 is a perspective view of a first embodiment of a child seat showing my new design.

FIG. 2 is a top view thereof.

FIG. 3 is a side view thereof.

FIG. 4 is a bottom view thereof.

FIG. 5 is a rear view thereof.

FIG. 6 is a front view thereof.

FIG. 7 is a perspective view of a second embodiment of a child seat showing my new design.

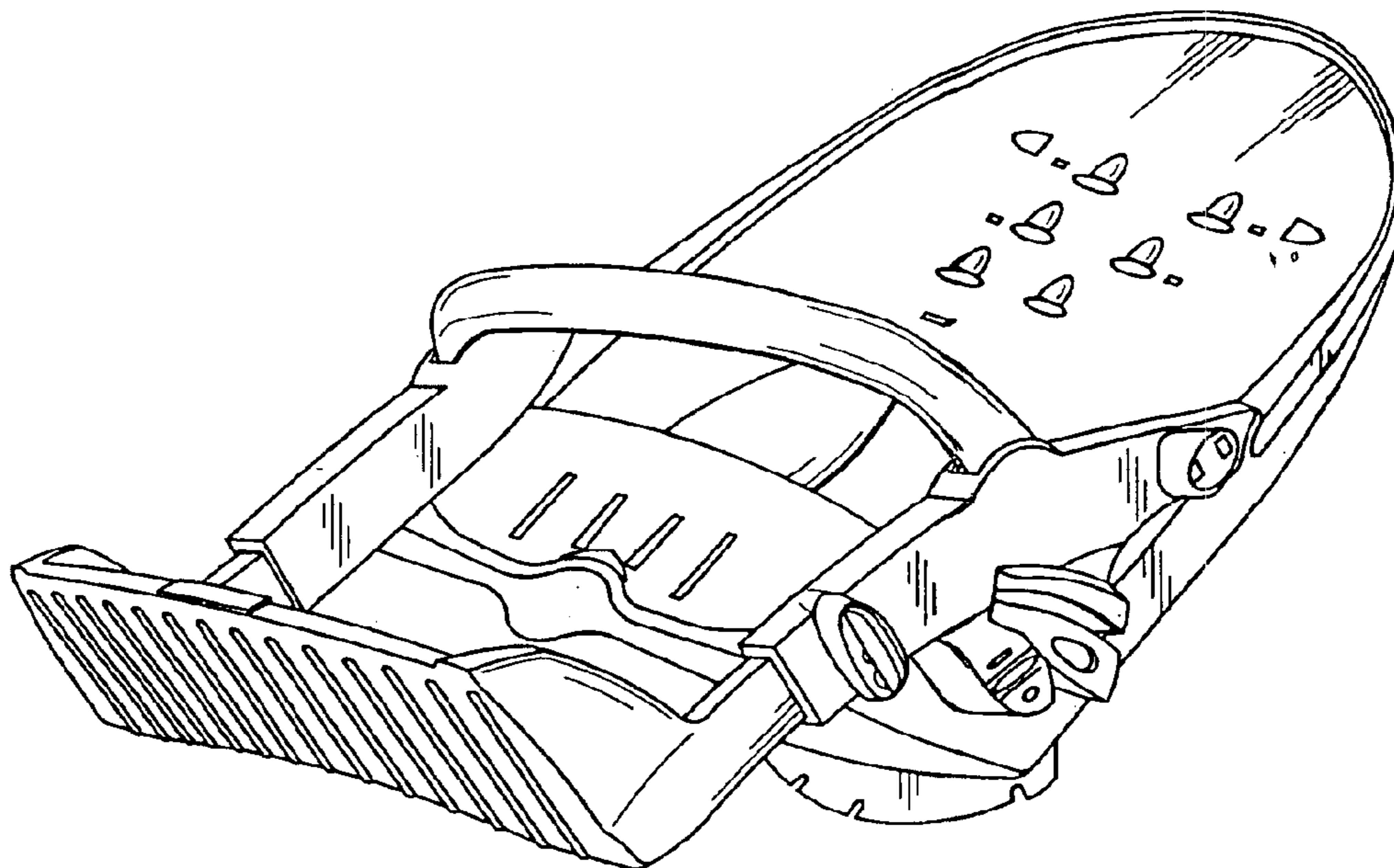
FIG. 8 is a top view thereof.

FIG. 9 is a side view thereof; and,

FIG. 10 is a front view thereof.

Portions of the child seat that are not shown in the drawing(s) form no part of the claimed design.

**1 Claim, 5 Drawing Sheets**



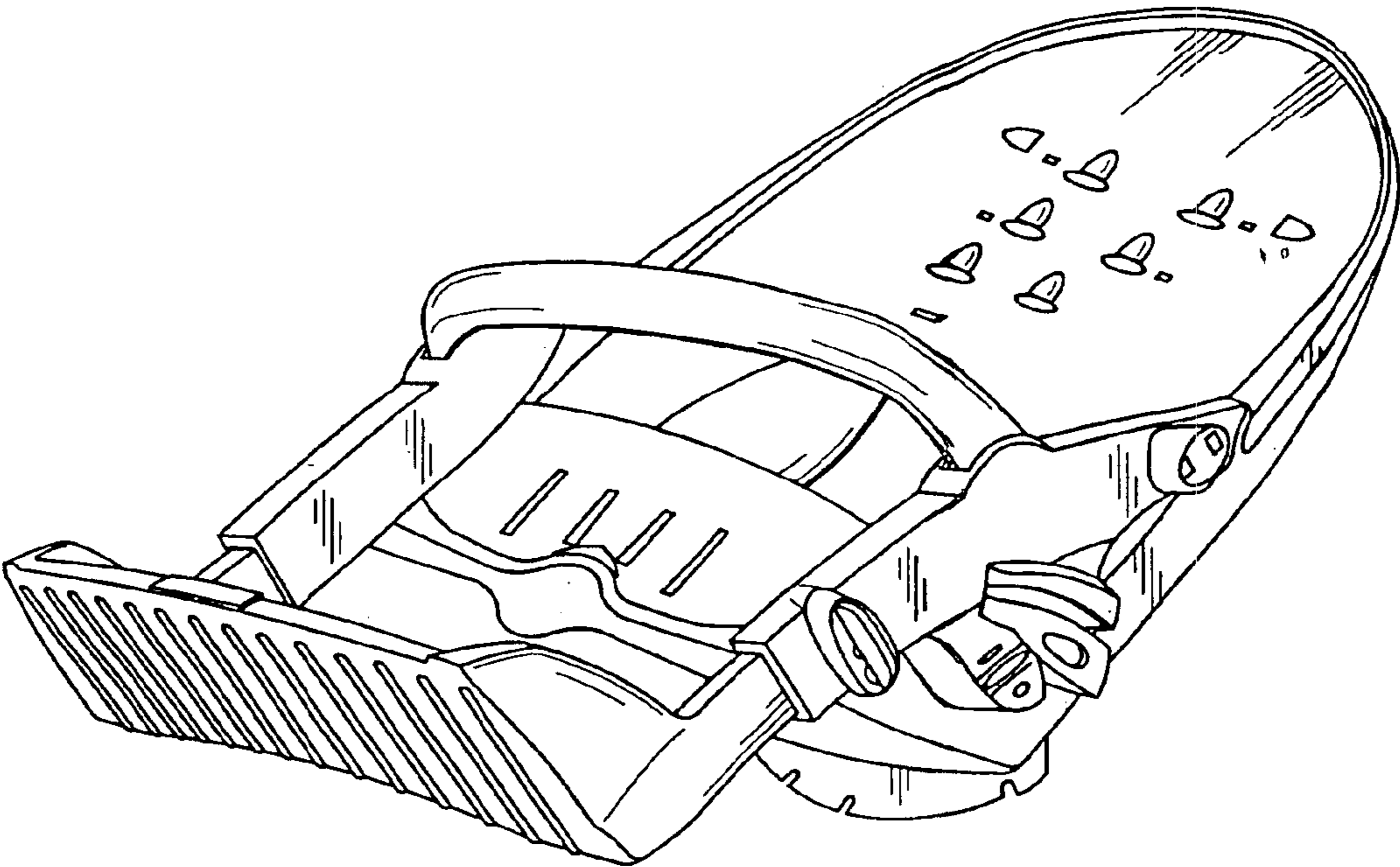


FIG. 1

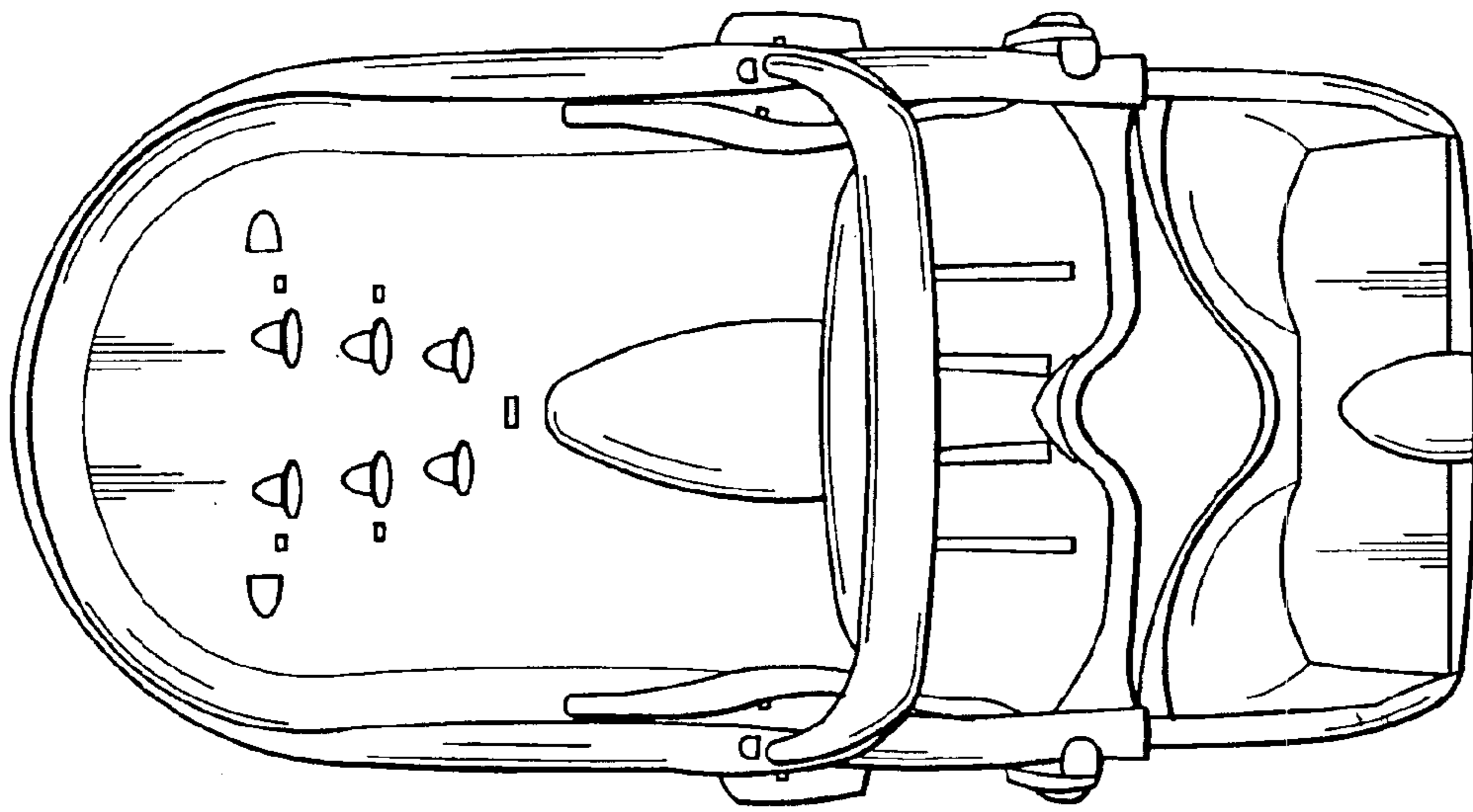


FIG. 2

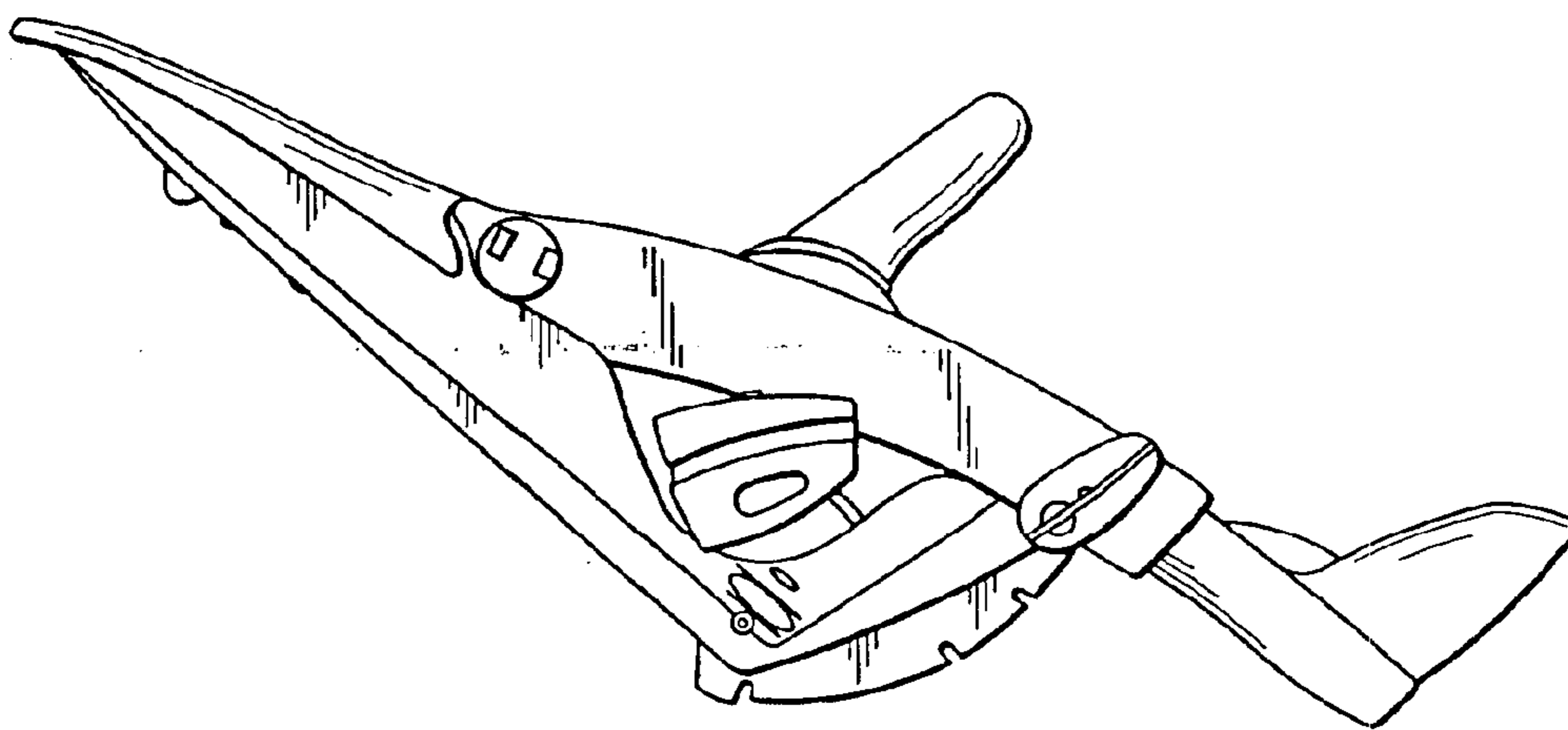


FIG. 3

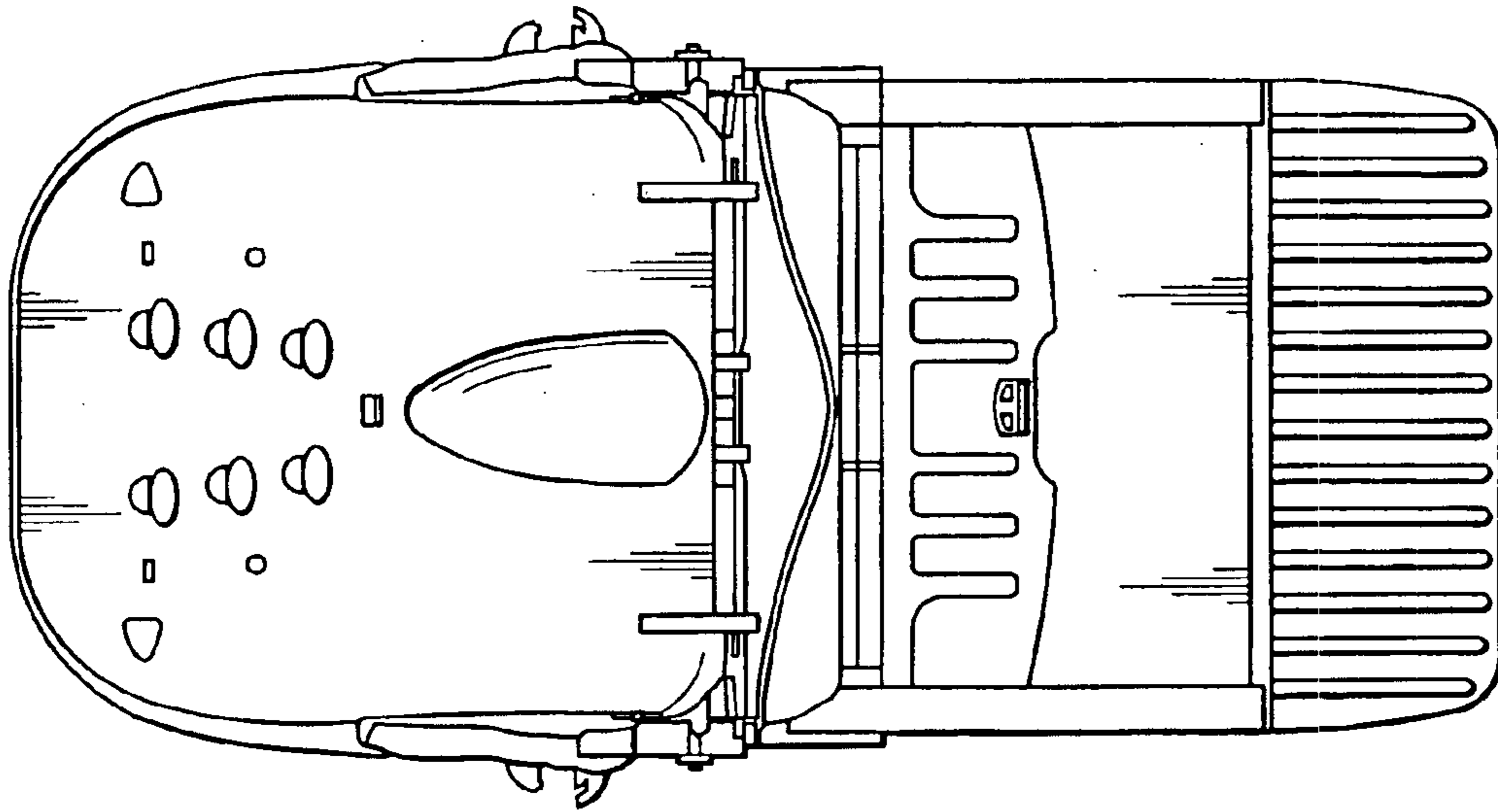


FIG. 4

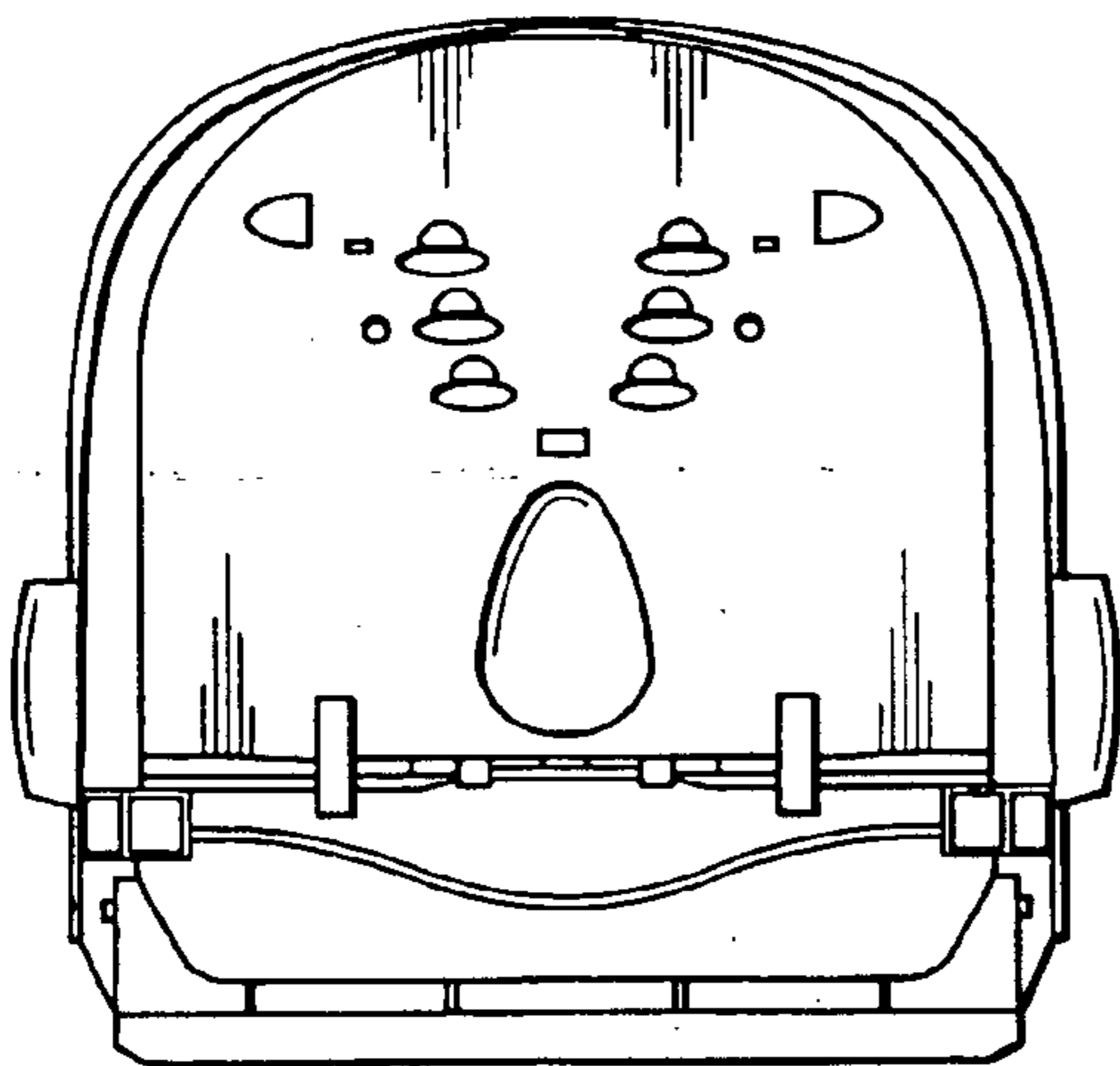


FIG. 5

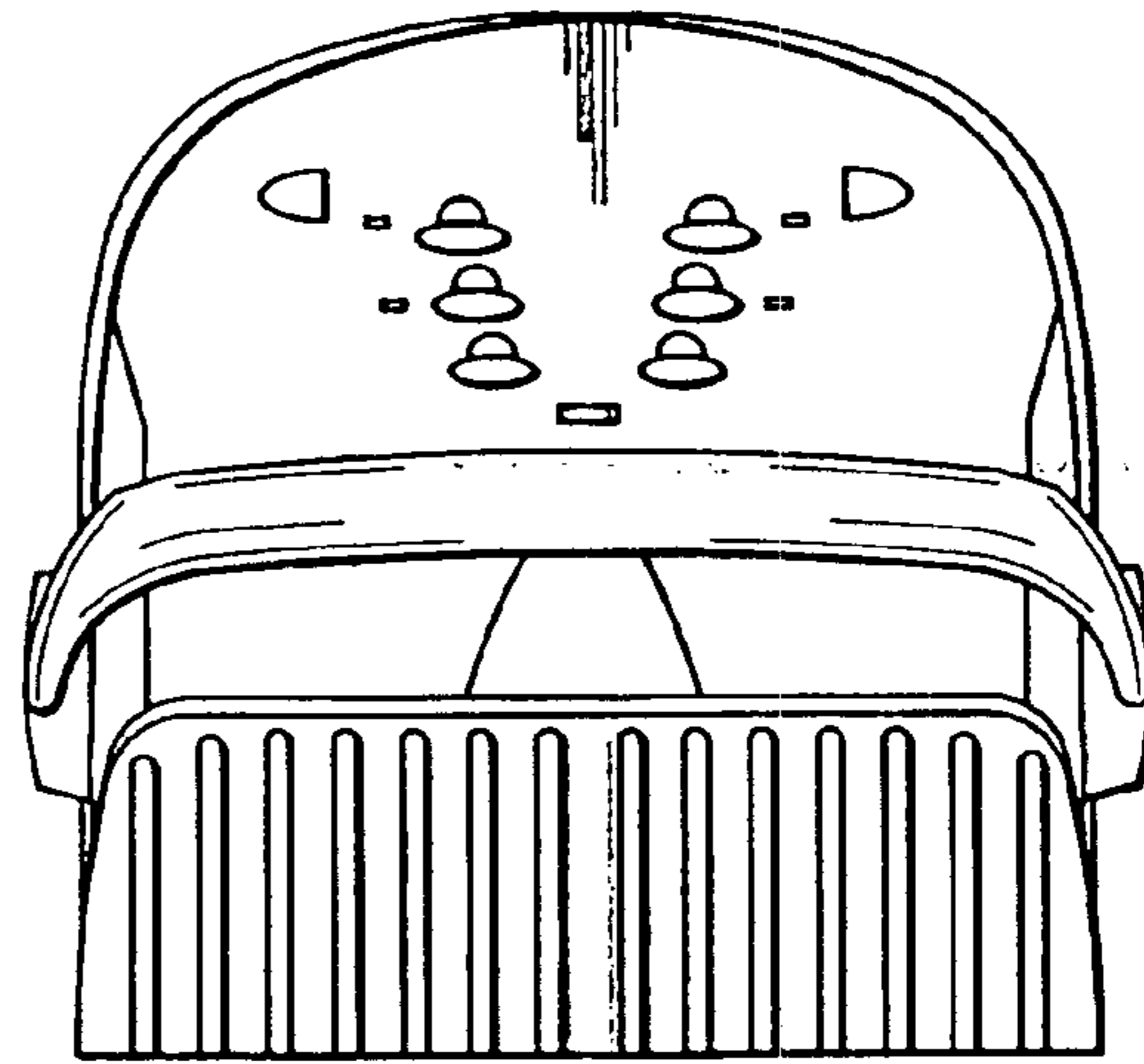


FIG. 6

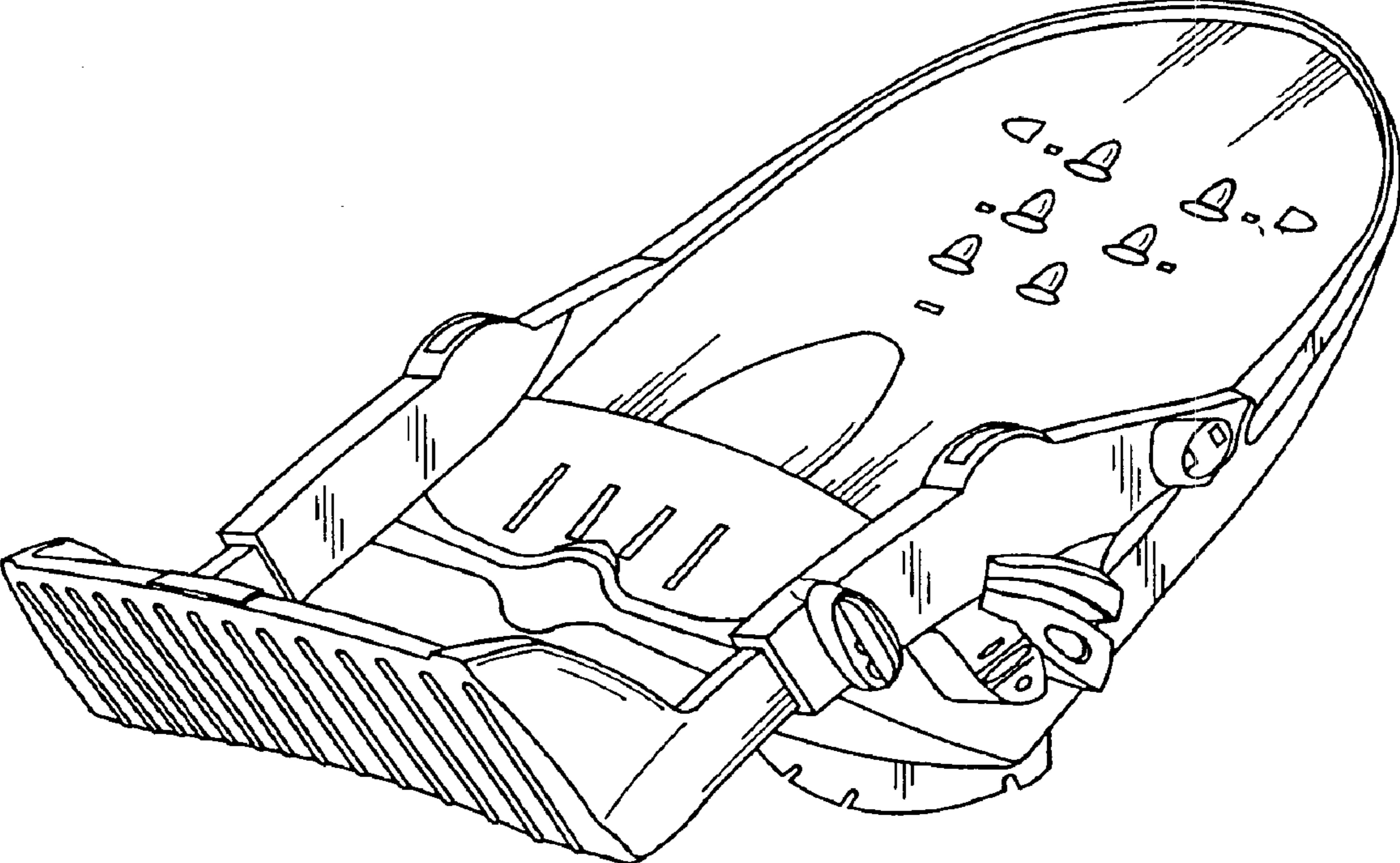


FIG. 7

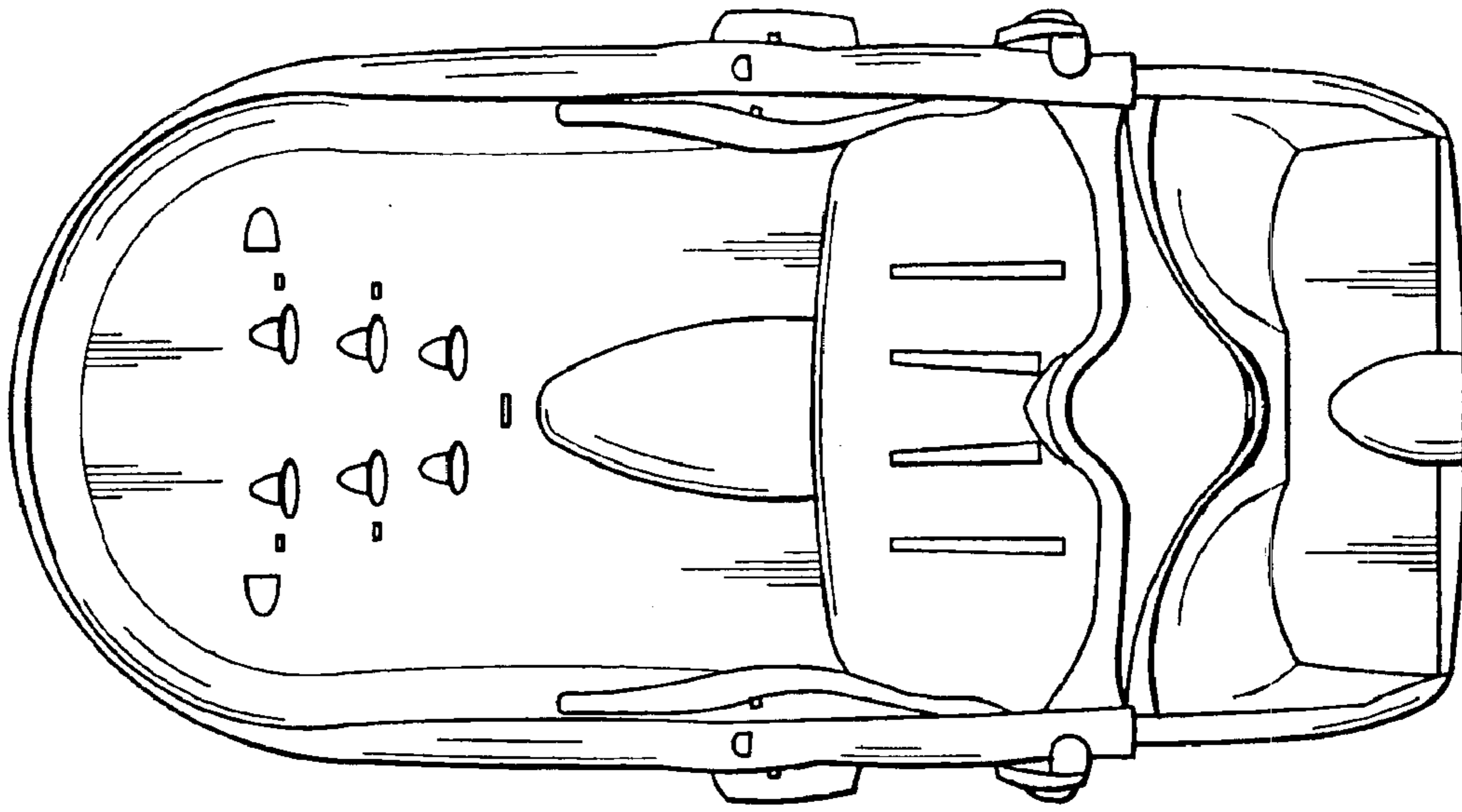


FIG. 8

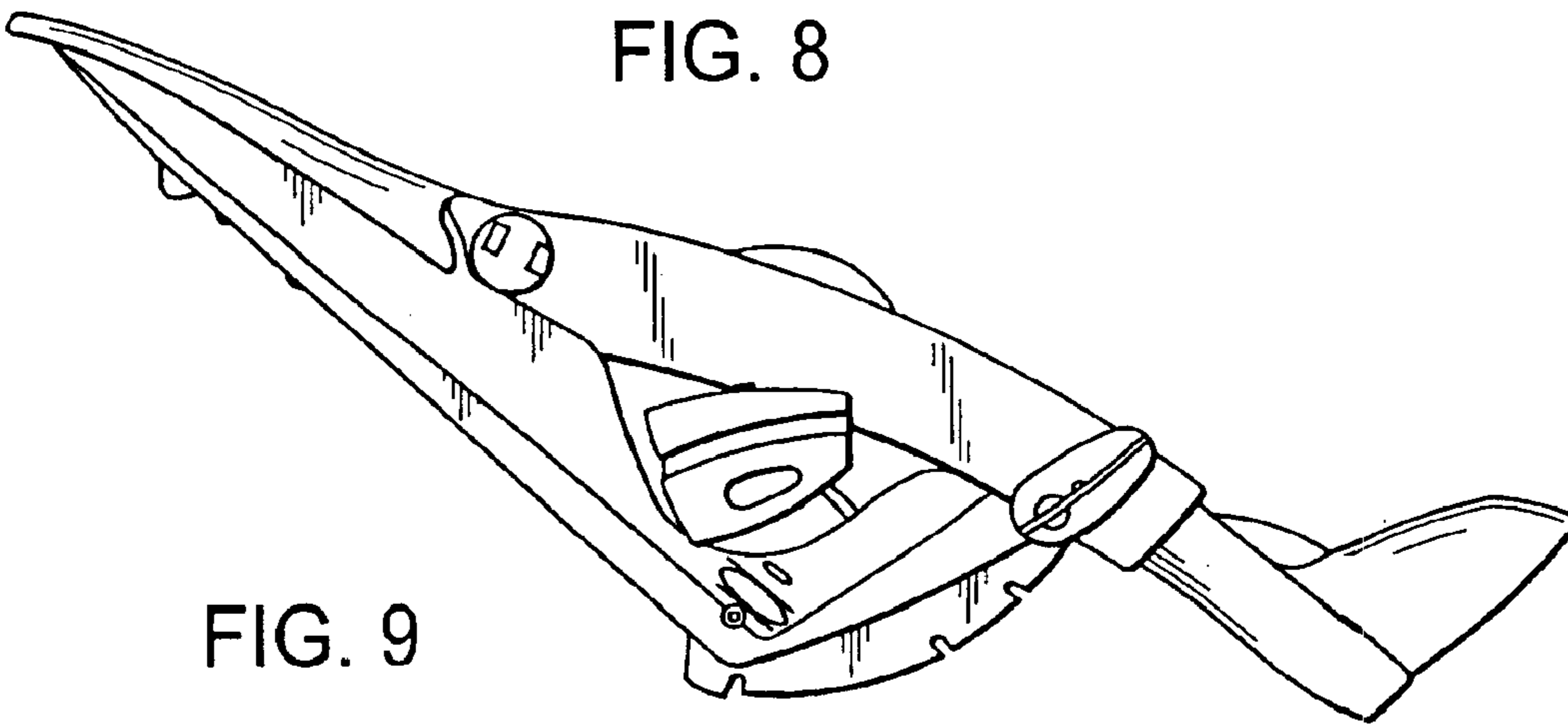


FIG. 9

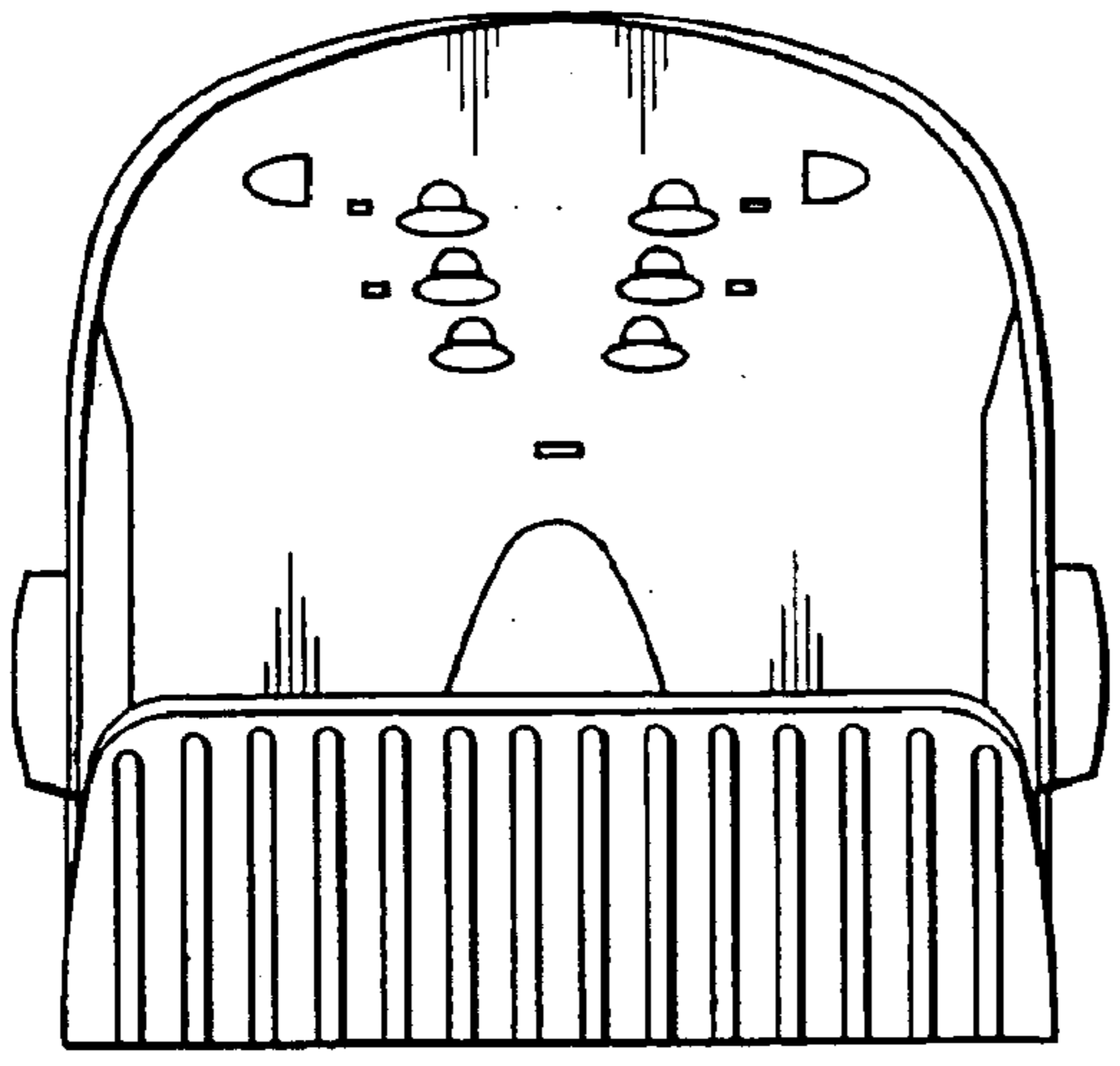


FIG. 10