



US00D503542S

(12) **United States Design Patent**
Chen et al.

(10) **Patent No.:** **US D503,542 S**

(45) **Date of Patent:** **** Apr. 5, 2005**

(54) **PHOTO FRAME**

(75) Inventors: **Peter Chen**, West Windsor, NJ (US);
Kevin Hui-Lien Lee, East Brunswick,
NJ (US); **Jungkun Lee**, Edison, NJ
(US)

(73) Assignee: **Officemate International Corp.**,
Edison, NJ (US)

(**) Term: **14 Years**

(21) Appl. No.: **29/193,630**

(22) Filed: **Nov. 11, 2003**

(51) **LOC (7) Cl.** **06-07**

(52) **U.S. Cl.** **D6/300**

(58) **Field of Search** D6/300-303, 308-314;
40/700, 711, 714-716, 717, 720, 722, 725,
735, 765, 766, 728, 780, 790, 798, 800

(56) **References Cited**

U.S. PATENT DOCUMENTS

- D243,378 S * 2/1977 Tharp D6/300
- D285,504 S * 9/1986 Messer D6/300
- D341,721 S * 11/1993 Wenkman et al. D6/300

- D372,591 S * 8/1996 Brunner et al. D6/300
- D406,467 S * 3/1999 Michael D6/300
- D413,293 S * 8/1999 Haas et al. D12/191
- D479,742 S * 9/2003 Hollingsworth D6/300

* cited by examiner

Primary Examiner—Janice E. Seeger

(74) *Attorney, Agent, or Firm*—Daniel Kirshner, Esq.

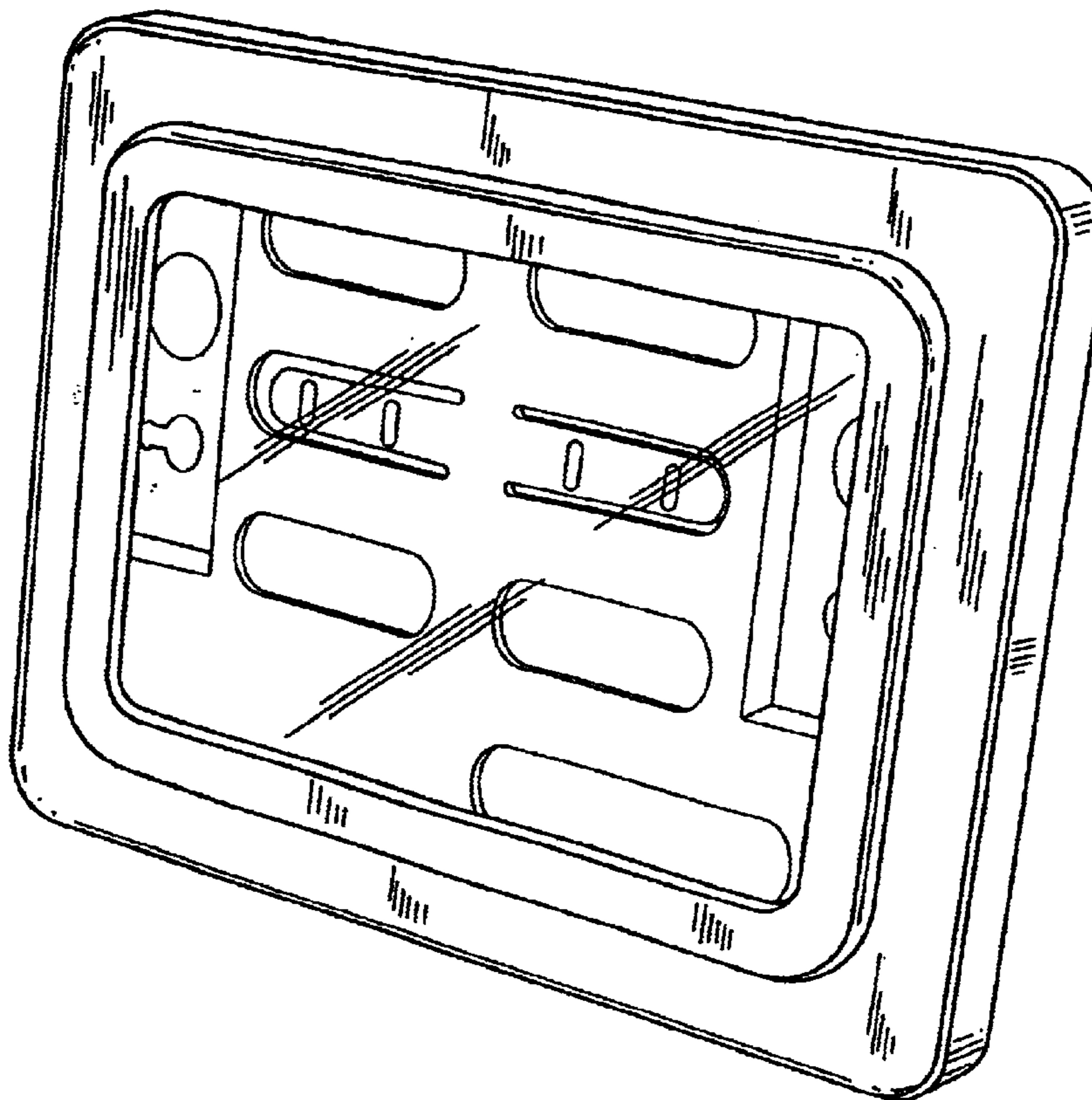
(57) **CLAIM**

The ornamental design for a photo frame, as shown and described.

DESCRIPTION

FIG. 1 is a front perspective view of the photo frame showing the design;
 FIG. 2 is a front elevational view thereof;
 FIG. 3 is a back elevational view thereof;
 FIG. 4 is a right side elevational view thereof;
 FIG. 5 is a left side elevational view thereof;
 FIG. 6 is a top plan view thereof;
 FIG. 7 is a bottom plan view thereof;
 FIG. 8 is a front perspective view thereof showing the attachment devices detached; and,
 FIG. 9 is an exploded view thereof.

1 Claim, 6 Drawing Sheets



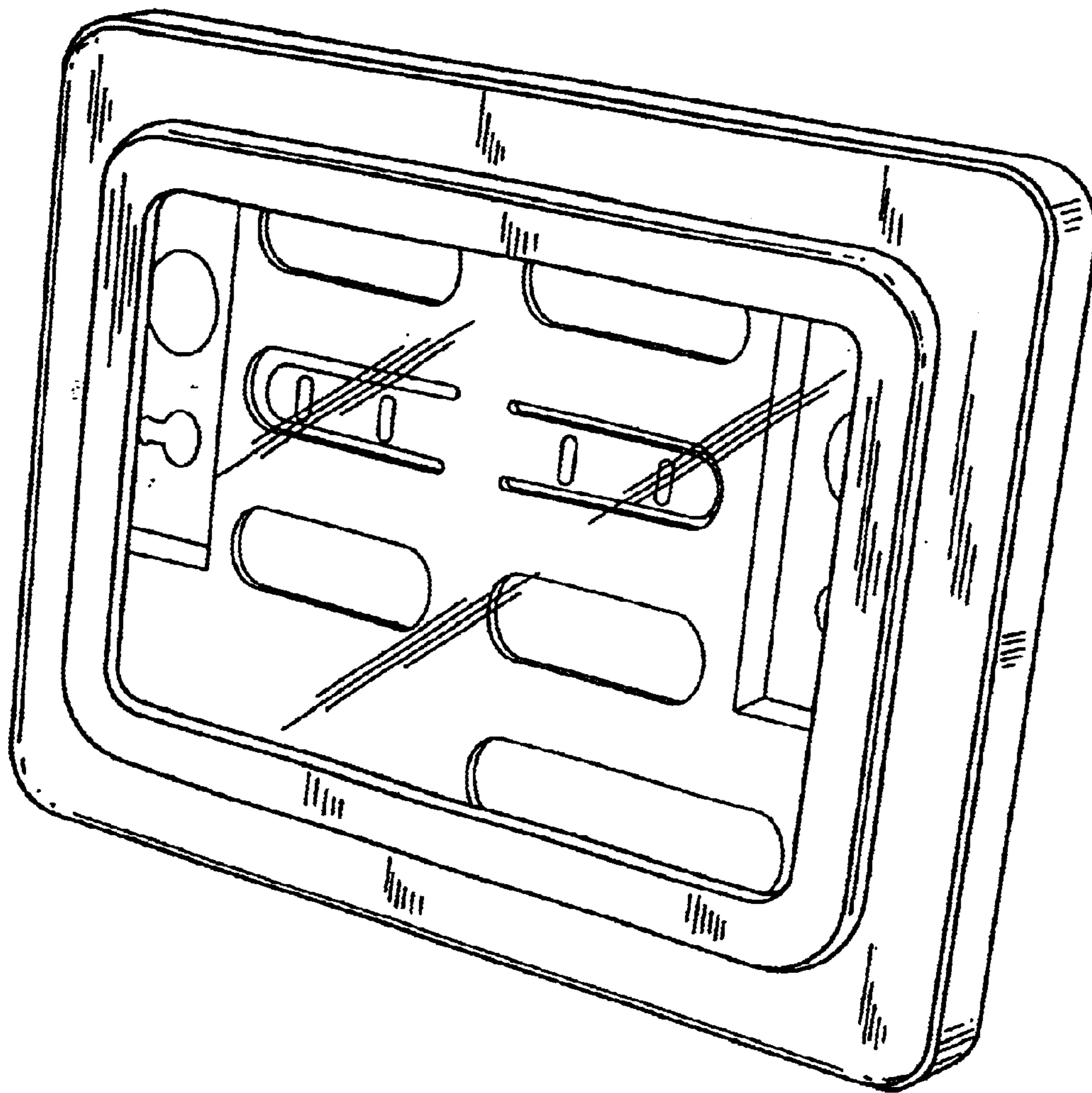


FIG. 1

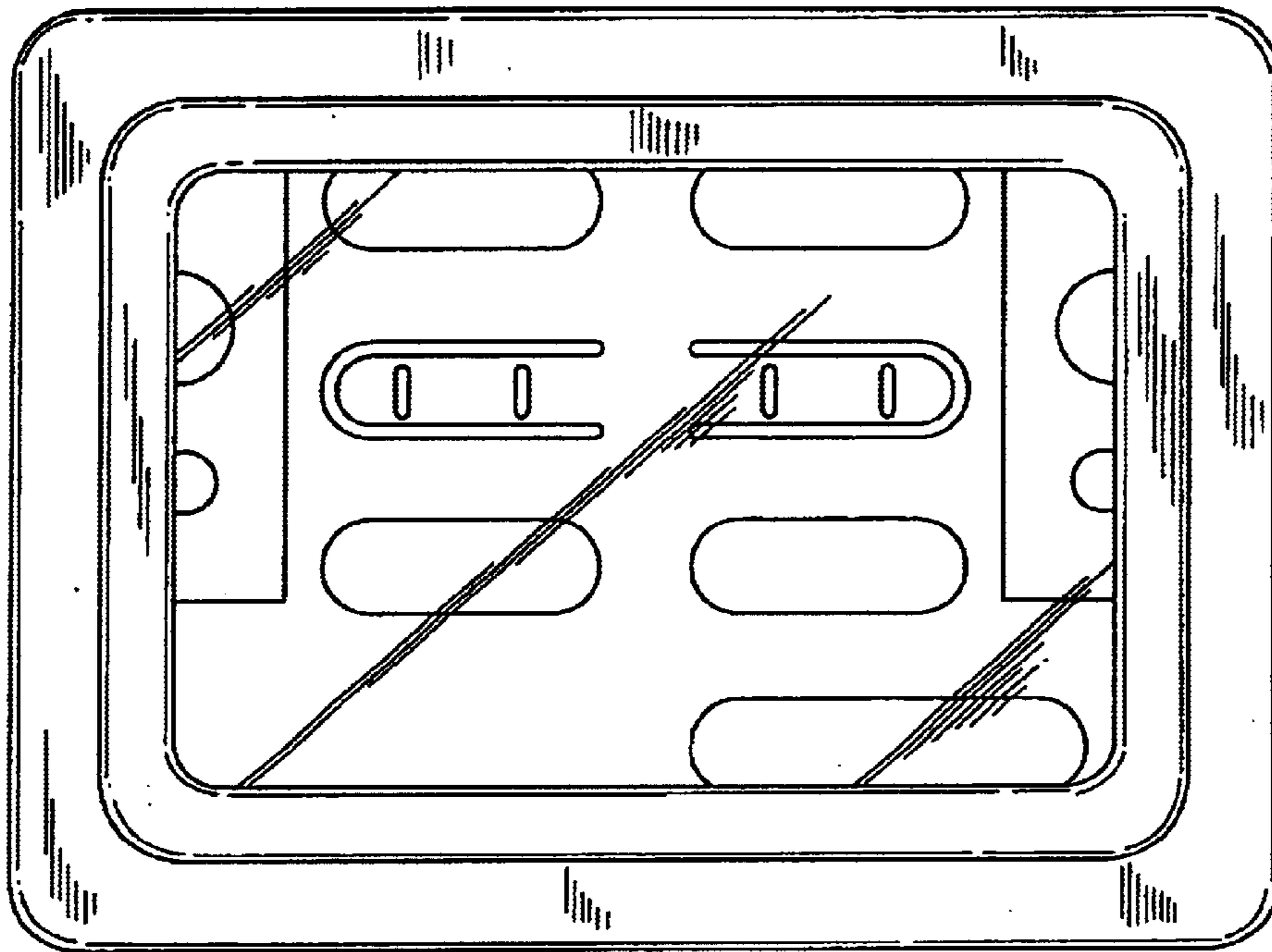


FIG. 2

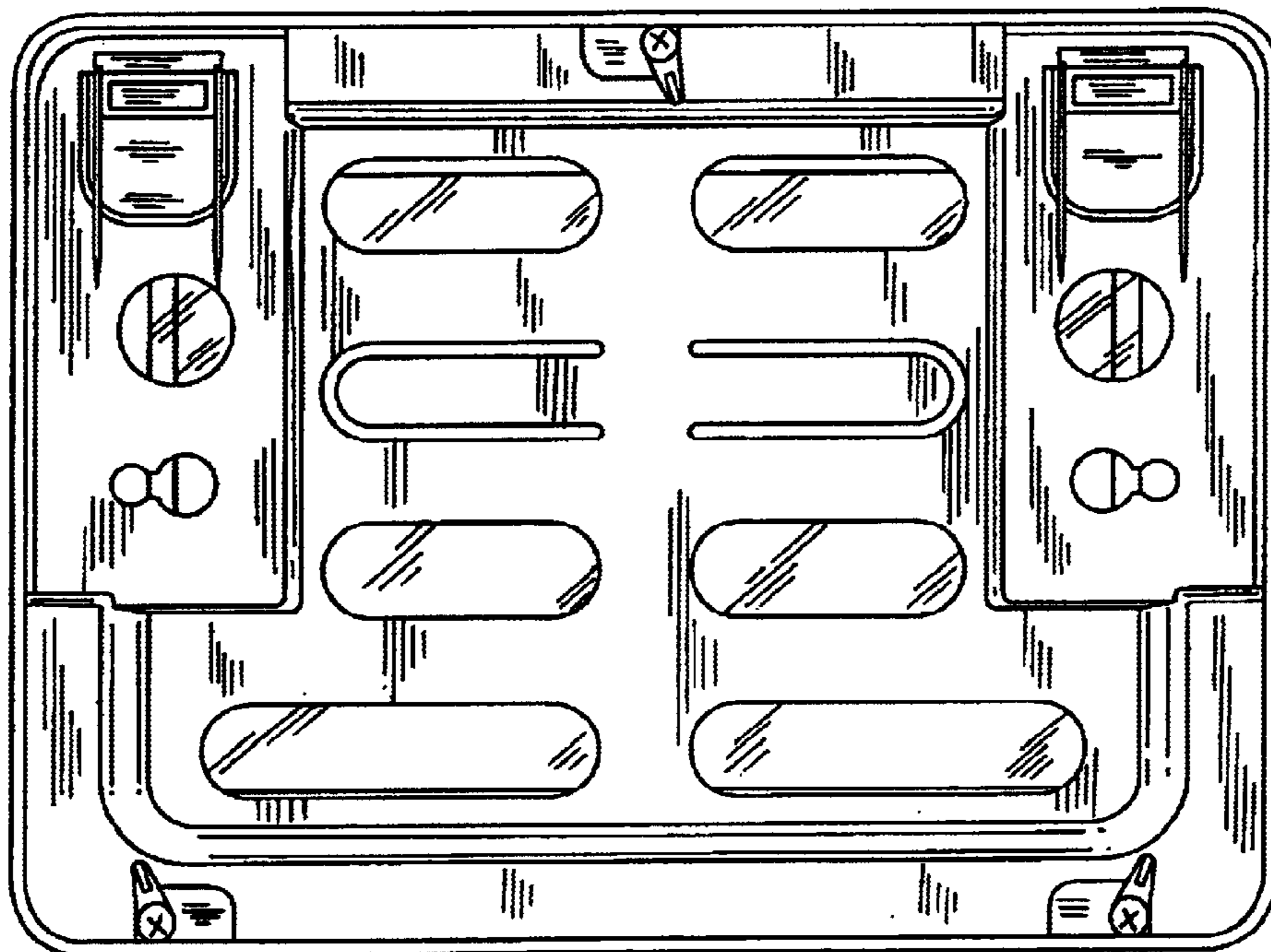


FIG. 3

FIG. 4

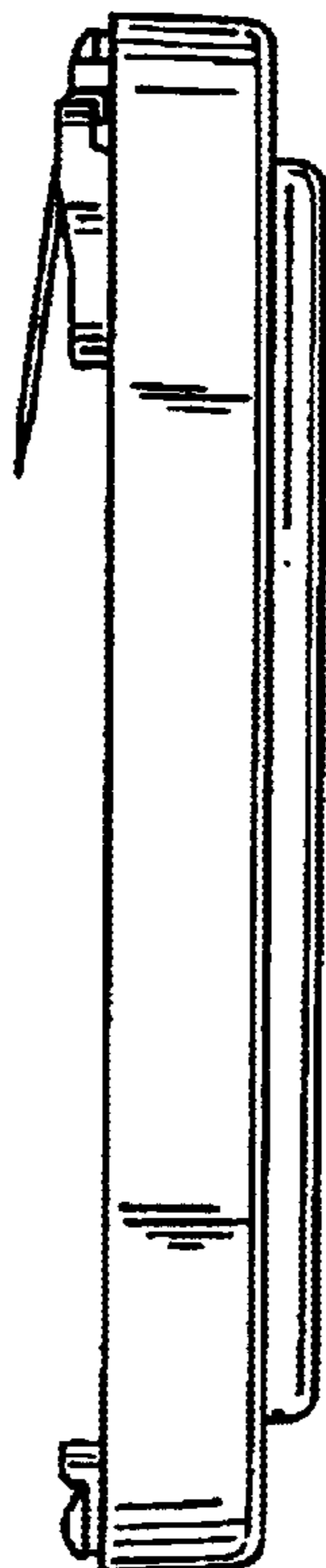
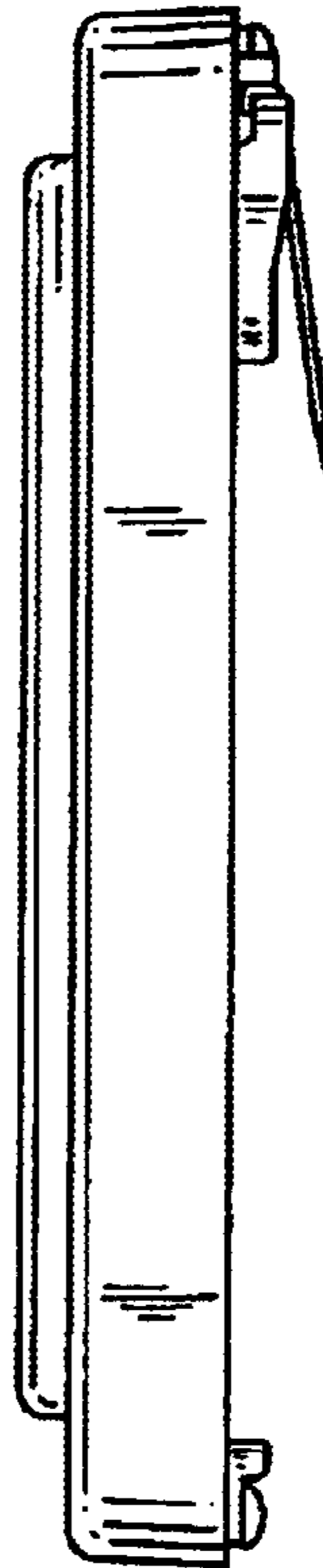


FIG. 5

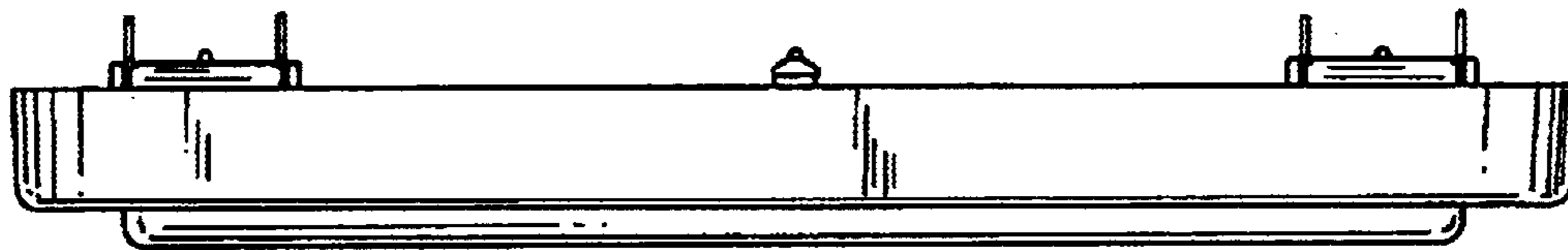


FIG. 6

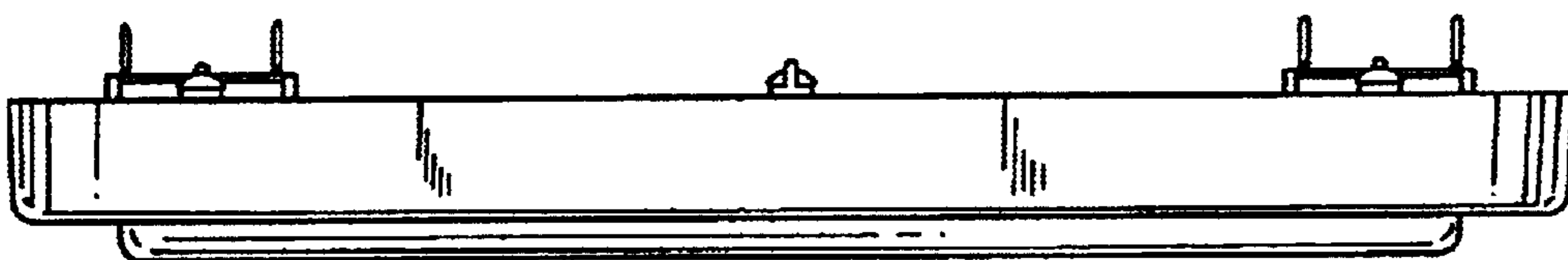


FIG. 7

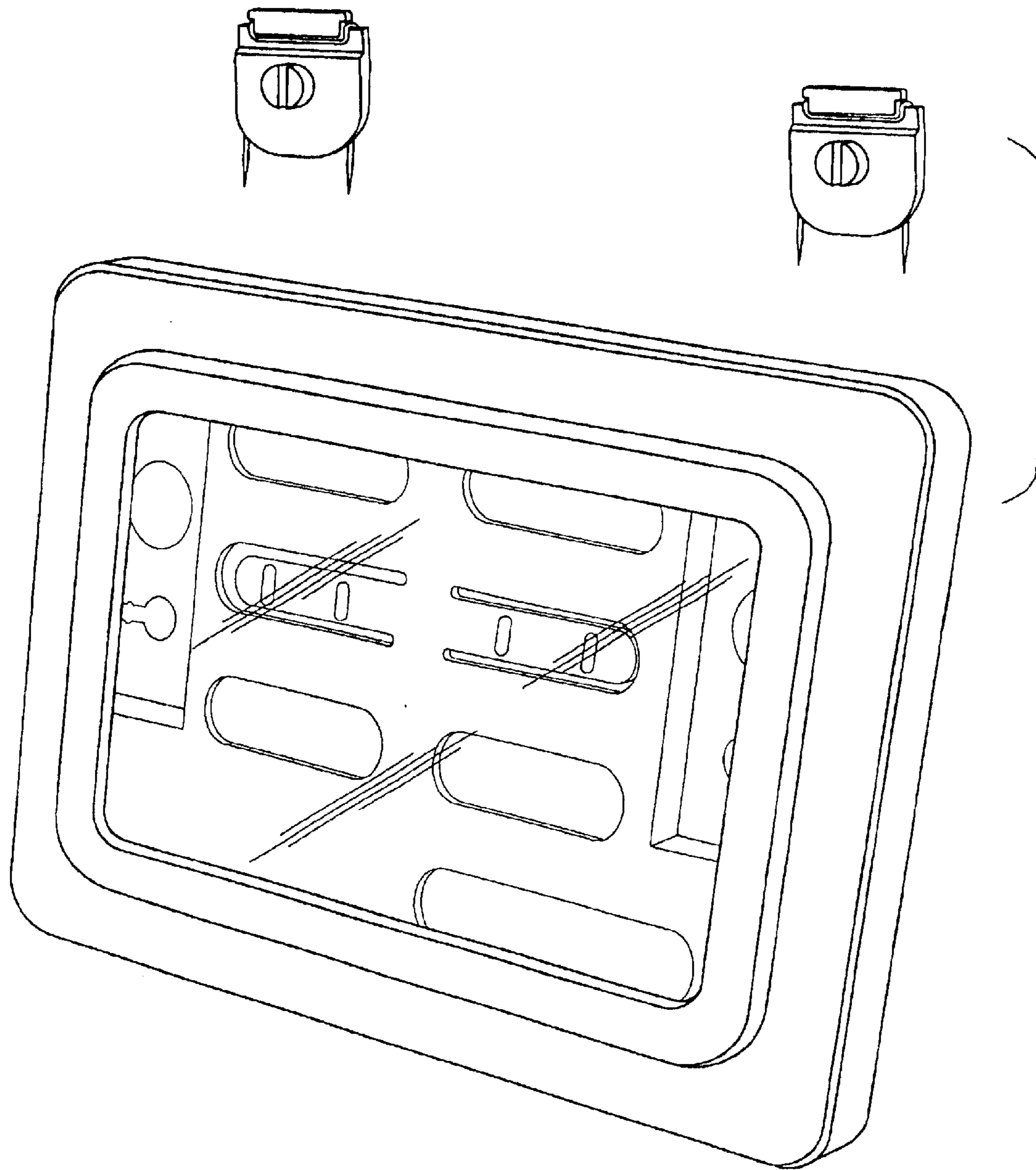


FIG. 8

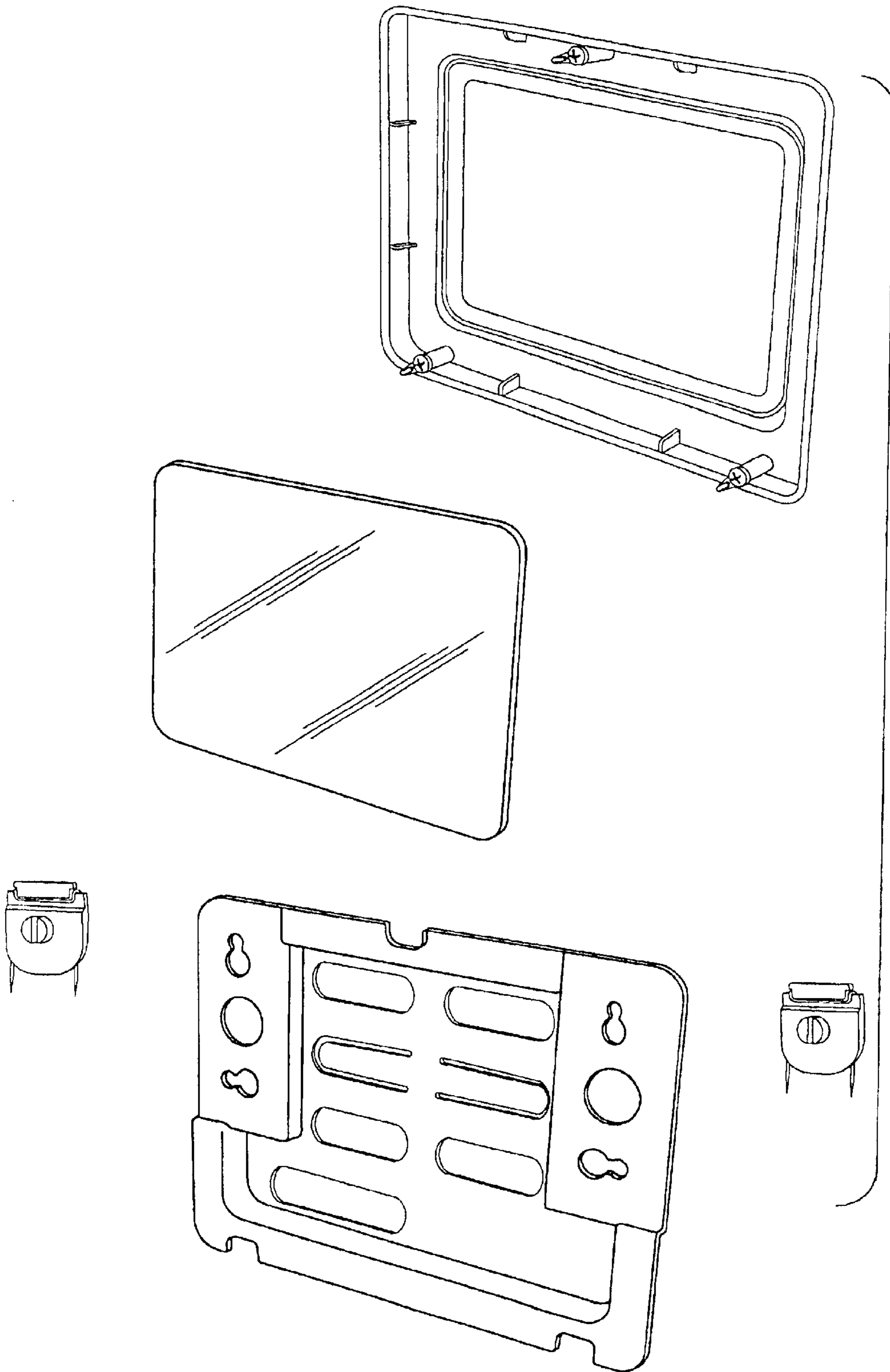


FIG. 9