

US00D503540S

(12) **United States Design Patent** (10) **Patent No.:** **US D503,540 S**
Barber (45) **Date of Patent:** **** Apr. 5, 2005**

(54) **HANDLE FOR BRUSH OR OTHER IMPLEMENT**

(75) Inventor: **Thomas Barber**, Redondo Beach, CA (US)

(73) Assignee: **Bradshaw International, Inc.**, Rancho Cucamonga, CA (US)

(**) Term: **14 Years**

(21) Appl. No.: **29/190,168**

(22) Filed: **Sep. 16, 2003**

(51) **LOC (7) Cl.** **04-01**

(52) **U.S. Cl.** **D4/138; D7/393; D32/41**

(58) **Field of Search** D4/118, 127, 132-134, D4/136, 138; D7/393, 395, 642, 649; D32/41-42; D8/45, 80, 83, 94, 97, 107, DIG. 6-8; 15/105, 111, 145.1, 245, 245.1, 236.01; 16/110.1, 430-431; 81/177.1, 489

(56) **References Cited**

U.S. PATENT DOCUMENTS

126,512 A *	5/1872	Beardsley	16/431
1,068,979 A *	7/1913	Burk	16/431
D110,283 S *	6/1938	Goodrich	D7/649
D150,323 S *	7/1948	Stratton	D7/653
D169,413 S *	4/1953	Bordelon	D7/649
D429,046 S *	8/2000	Hansen	D32/41

* cited by examiner

Primary Examiner—Alan P. Douglas
Assistant Examiner—Lavone D. Tabor

(74) *Attorney, Agent, or Firm*—Birch, Stewart, Kolasch & Birch, LLP

(57) **CLAIM**

The ornamental design for a handle for brush or other implement, as shown and described.

DESCRIPTION

FIG. 1 is a right perspective view of a handle for brush or other implement embodying my new design, an illustrative brush end being shown in broken lines;

FIG. 2 is a top plan view thereof;

FIG. 3 is a right side elevational view thereof, the left side elevational view being a mirror image thereof;

FIG. 4 is a bottom plan view thereof;

FIG. 5 is a front end view thereof;

FIG. 6 is a rear end view thereof;

FIG. 7 is a right perspective view of a second embodiment of the handle for brush or other implement showing my new design, an illustrative squeegee end being shown in broken lines;

FIG. 8 is a top plan view of the second embodiment;

FIG. 9 is a right side elevational view of the second embodiment;

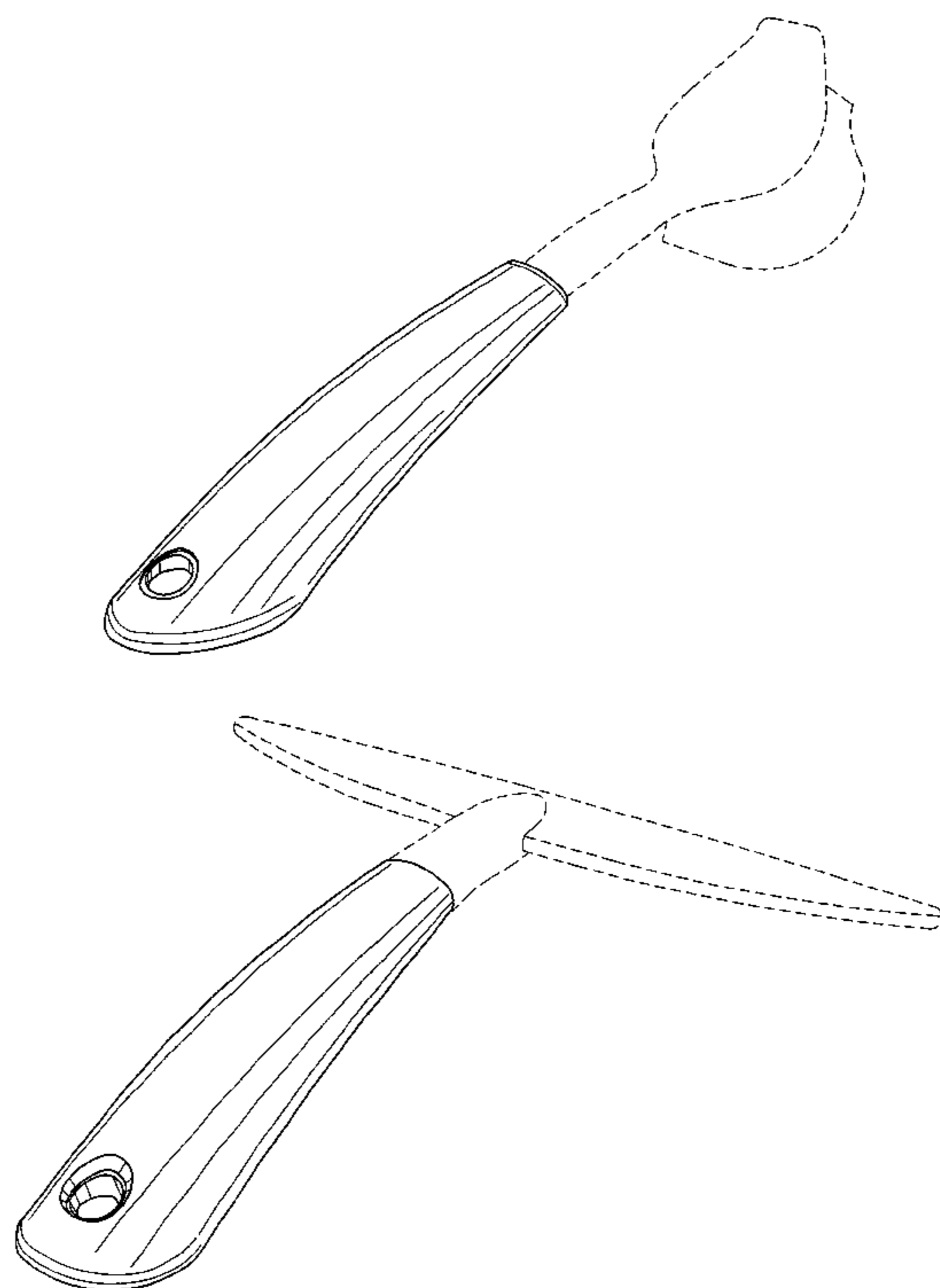
FIG. 10 is a bottom plan view of the second embodiment;

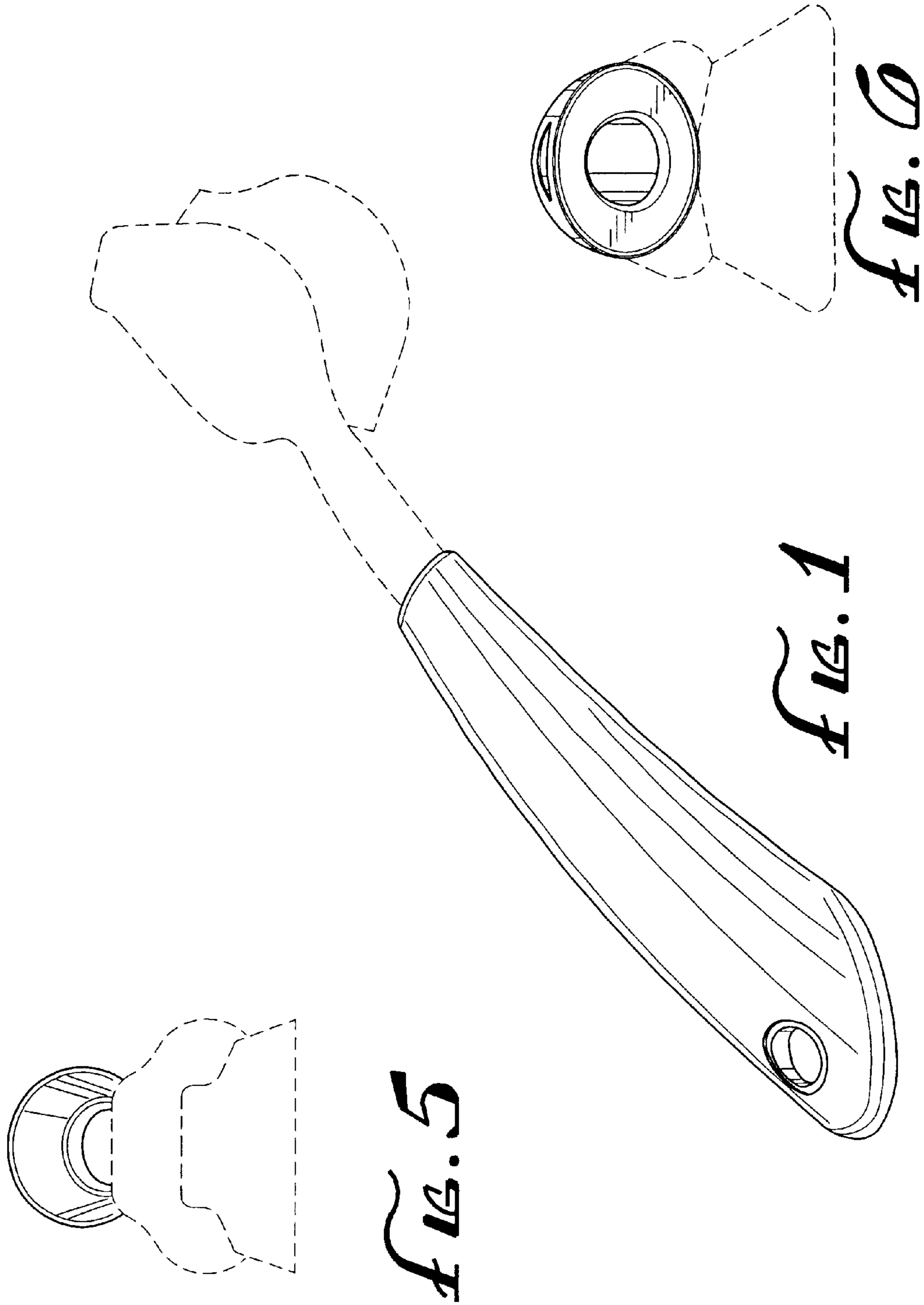
FIG. 11 is a front end view second embodiment; and,

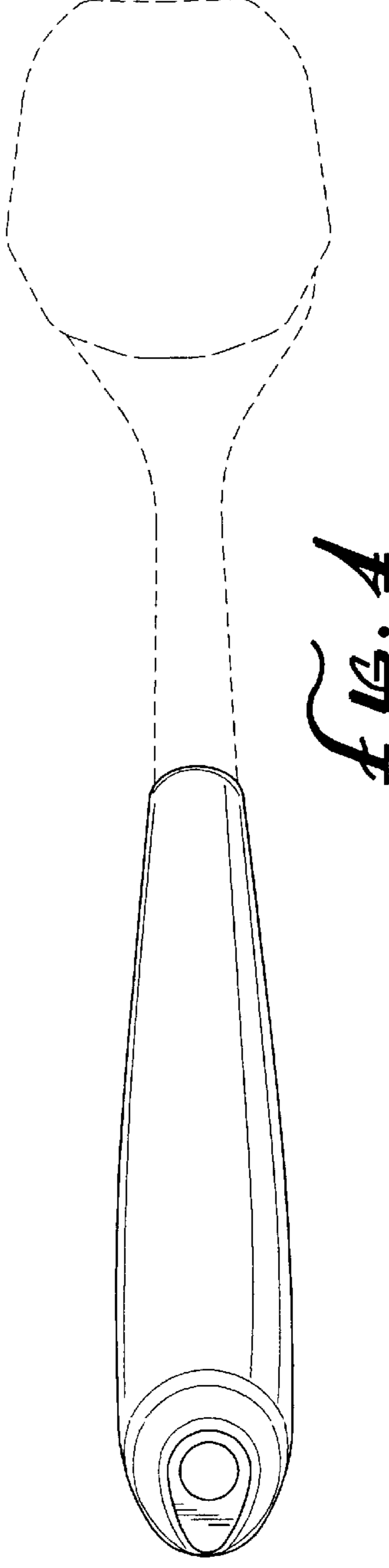
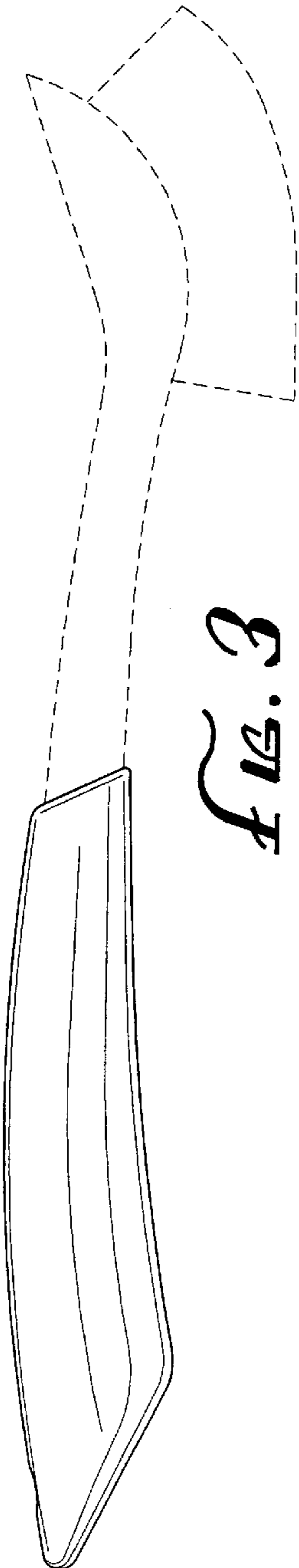
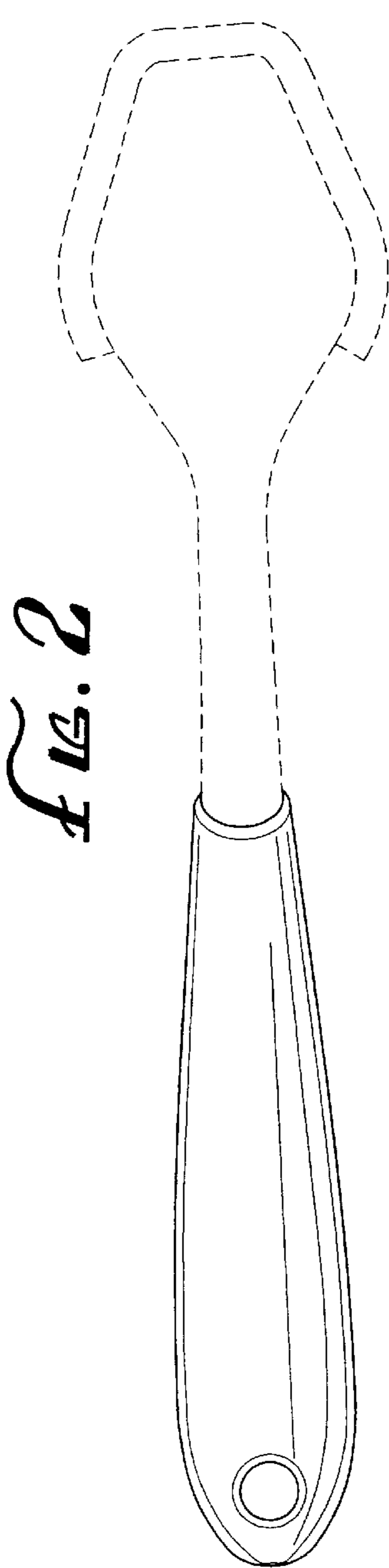
FIG. 12 is a rear end view of the second embodiment.

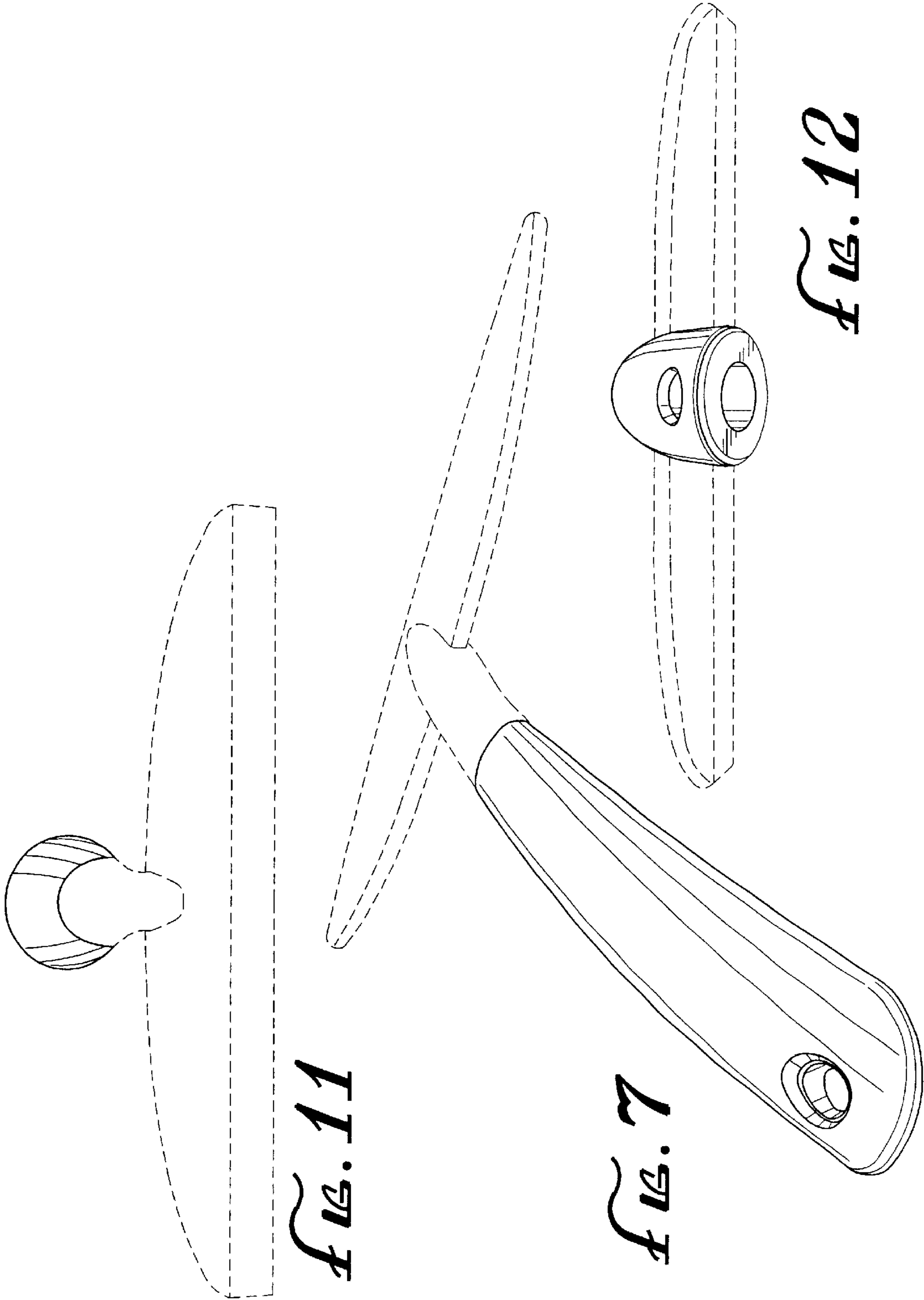
The structures shown in broken lines form no part of the claimed design.

1 Claim, 5 Drawing Sheets









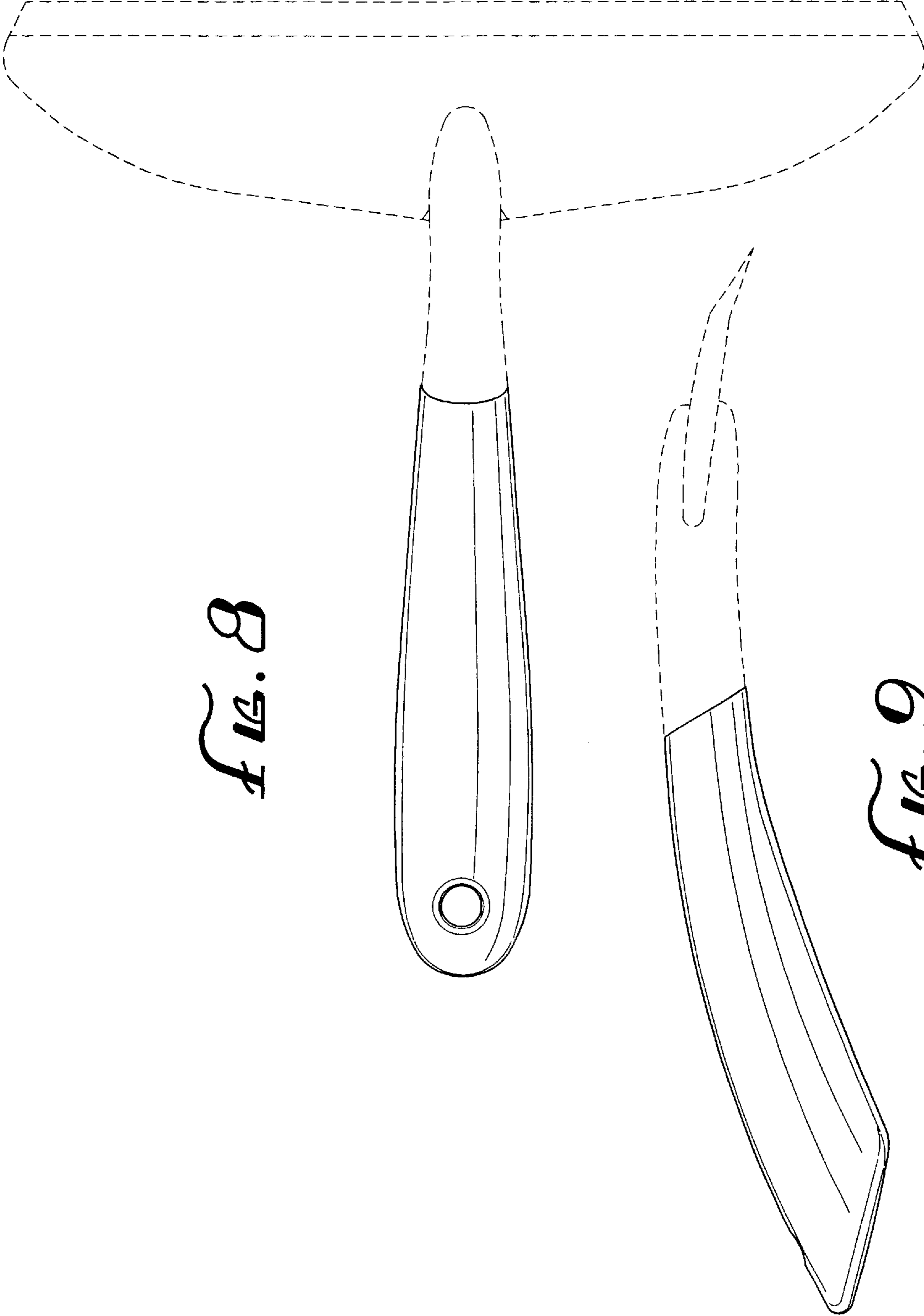


Fig. 8

Fig. 9

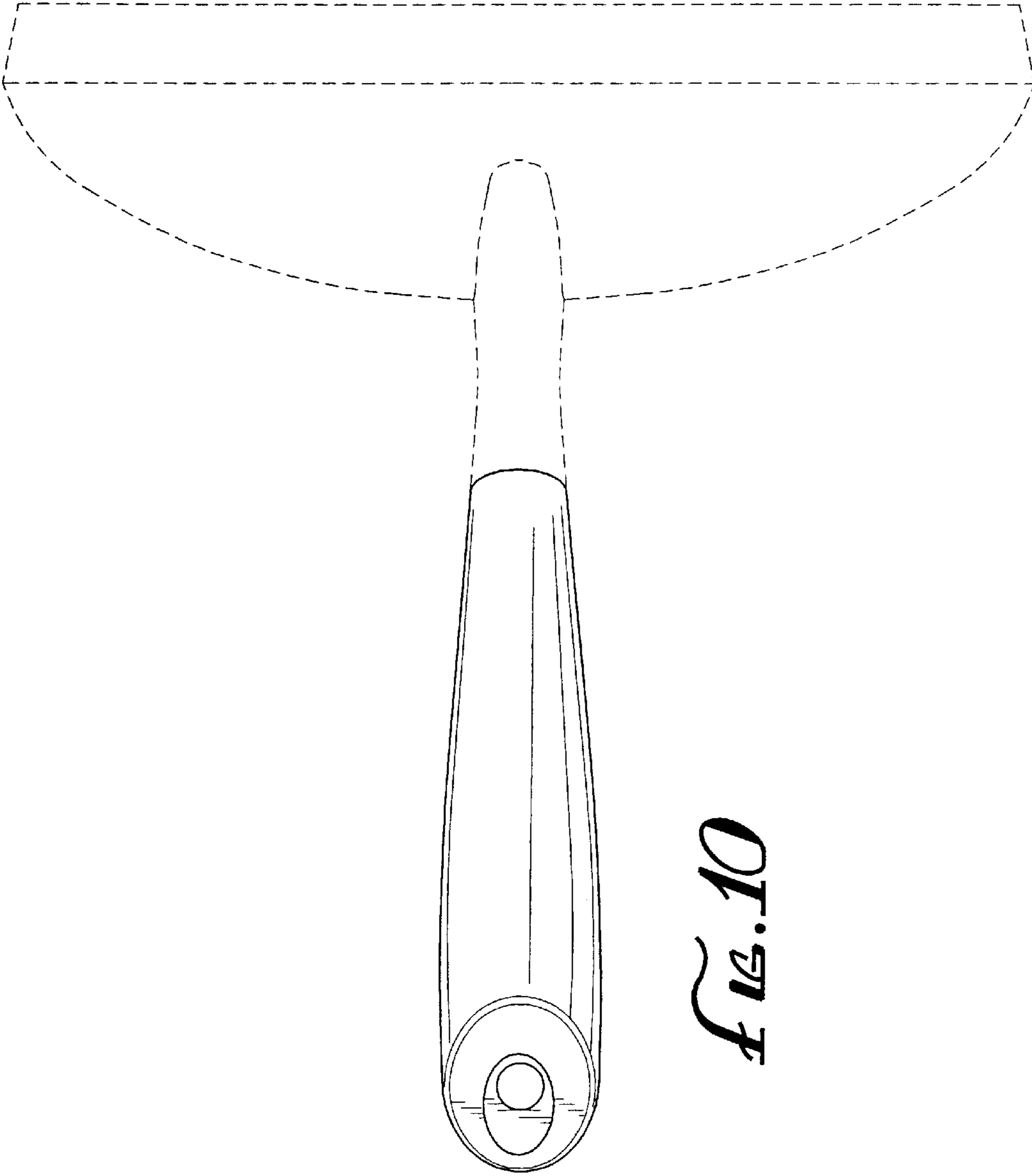


Fig. 10