

US00D503539S

(12) **United States Design Patent**
Tani

(10) **Patent No.:** **US D503,539 S**

(45) **Date of Patent:** **** Apr. 5, 2005**

(54) **BRUSH FOR MAKEUP**

(75) Inventor: **Yoshikazu Tani**, Tokyo (JP)

(73) Assignee: **Tokiwa Corporation**, Tokyo (JP)

(**) Term: **14 Years**

(21) Appl. No.: **29/197,755**

(22) Filed: **Jan. 20, 2004**

(30) **Foreign Application Priority Data**

Jul. 24, 2003 (JP) 2003-021402

(51) **LOC (7) Cl.** **04-02**

(52) **U.S. Cl.** **D4/114; D4/136**

(58) **Field of Search** D4/114, 127, 132,
D4/136; D9/723, 724; D28/7, 20; 15/110,
188; 132/290, 217, 320; 222/191, 192;
401/26, 28, 171-173, 268, 270, 274, 277,
278, 281, 282, 284, 286, 288, 290, 291;
601/135-137, 139, 141

(56) **References Cited**

U.S. PATENT DOCUMENTS

1,801,196 A * 4/1931 Grove 132/290
D149,954 S * 6/1948 Kruck D28/7

2,584,735 A * 2/1952 Pancoast 401/26
4,533,273 A * 8/1985 Obata et al. 401/286 X

* cited by examiner

Primary Examiner—Alan P. Douglas

Assistant Examiner—Lavone D. Tabor

(74) *Attorney, Agent, or Firm*—R. Neil Sudol; Henry D. Coleman; William J. Sapone

(57) **CLAIM**

The ornamental design for brush for makeup, as shown and described.

DESCRIPTION

FIG. 1 is a front elevational view of brush for makeup embodying my new design;

FIG. 2 is a rear elevational view thereof;

FIG. 3 is a left side elevational view thereof;

FIG. 4 is a right side elevational view thereof;

FIG. 5 is a top plan view thereof;

FIG. 6 is a bottom plan view thereof;

FIG. 7 is a perspective view thereof;

FIG. 8 is an enlarged reference view of brush; and,

FIG. 9 is an enlarged reference view of perspective view.

The broken lines are for illustrative purposes only and form no part of the claimed design.

1 Claim, 3 Drawing Sheets

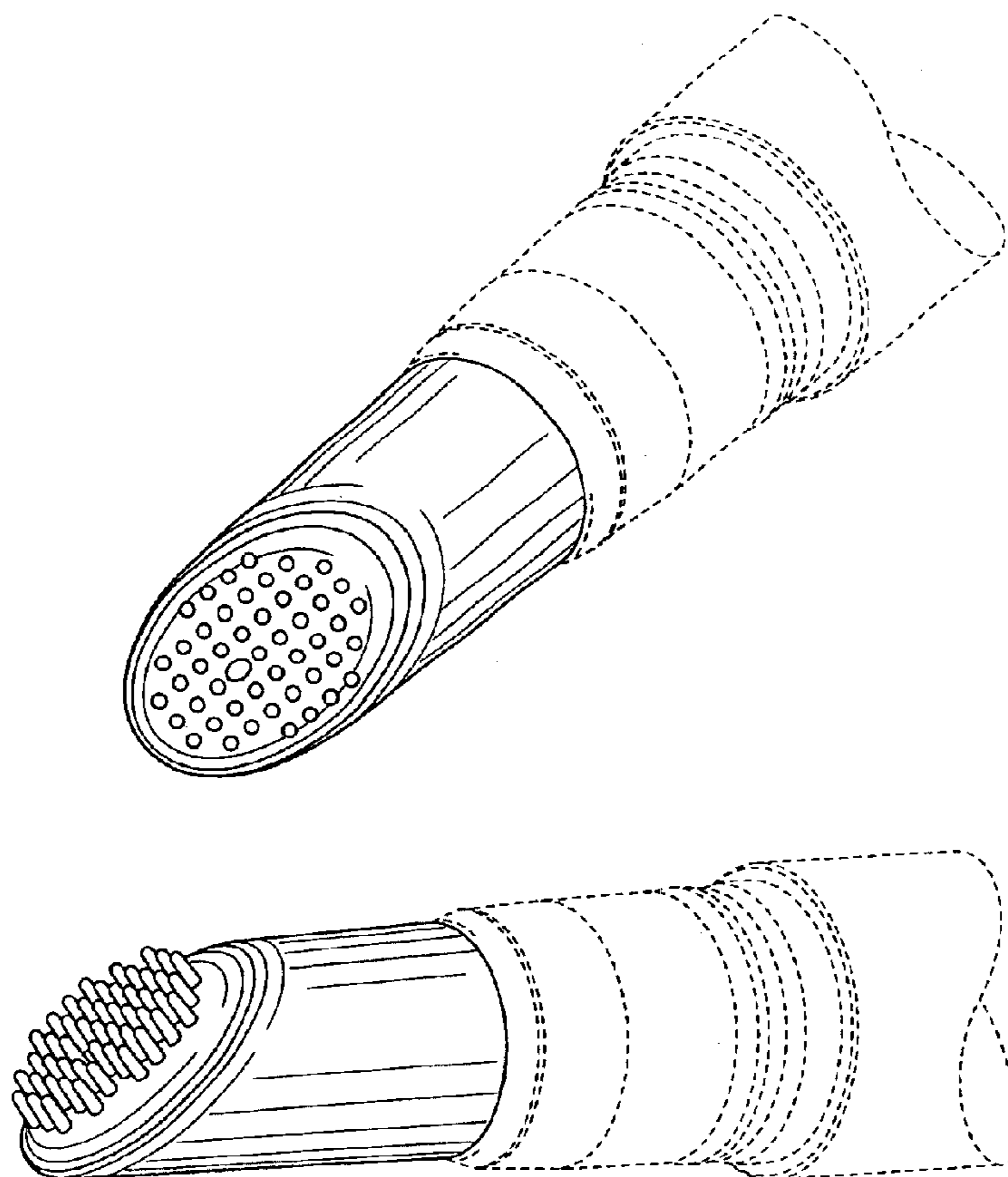


FIG. 1

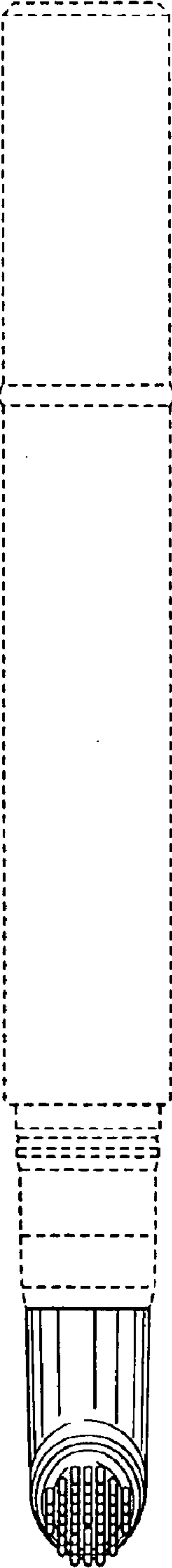


FIG. 2



FIG. 3

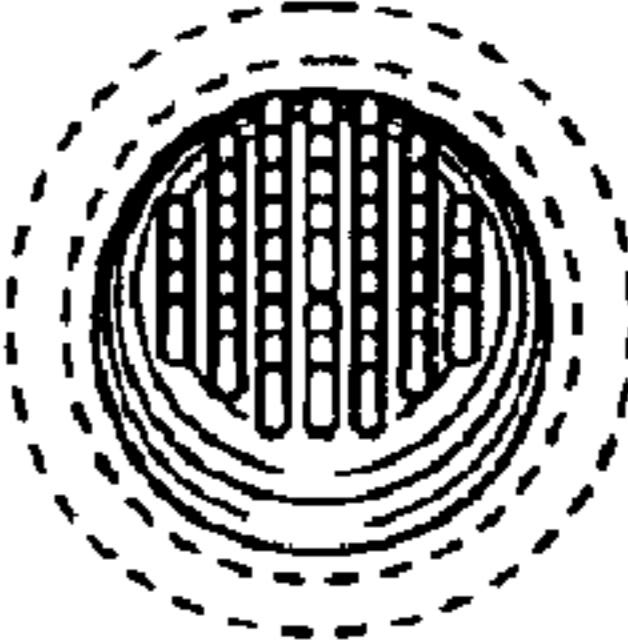


FIG. 4

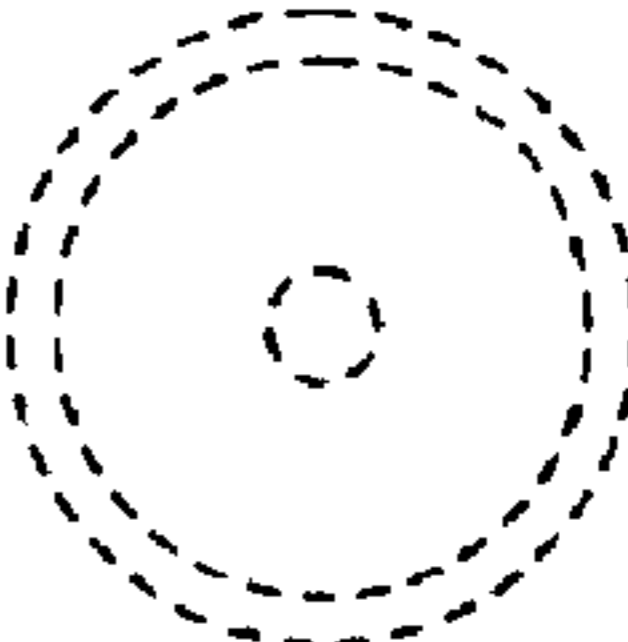


FIG. 5

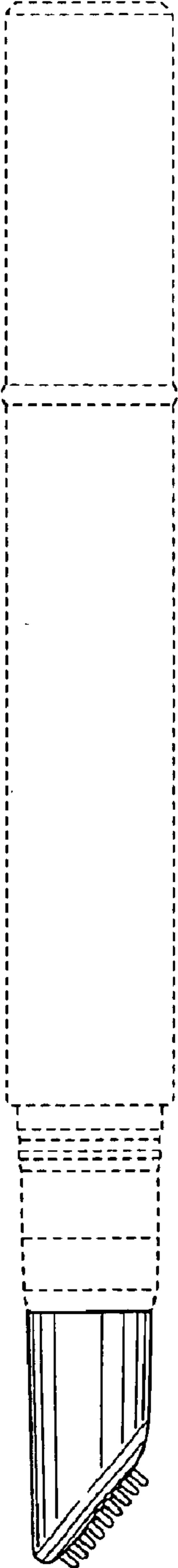


FIG. 6

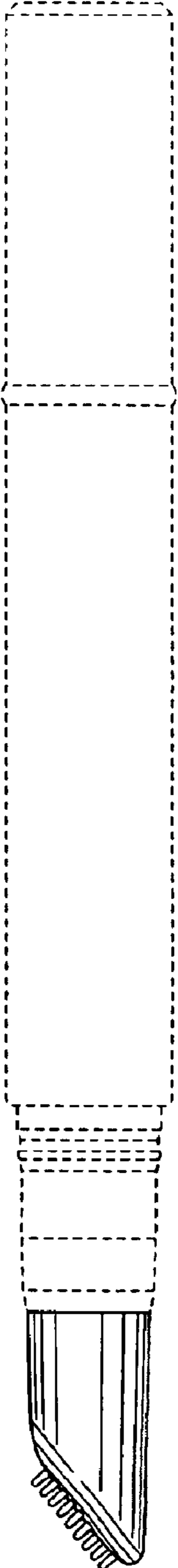


FIG. 7

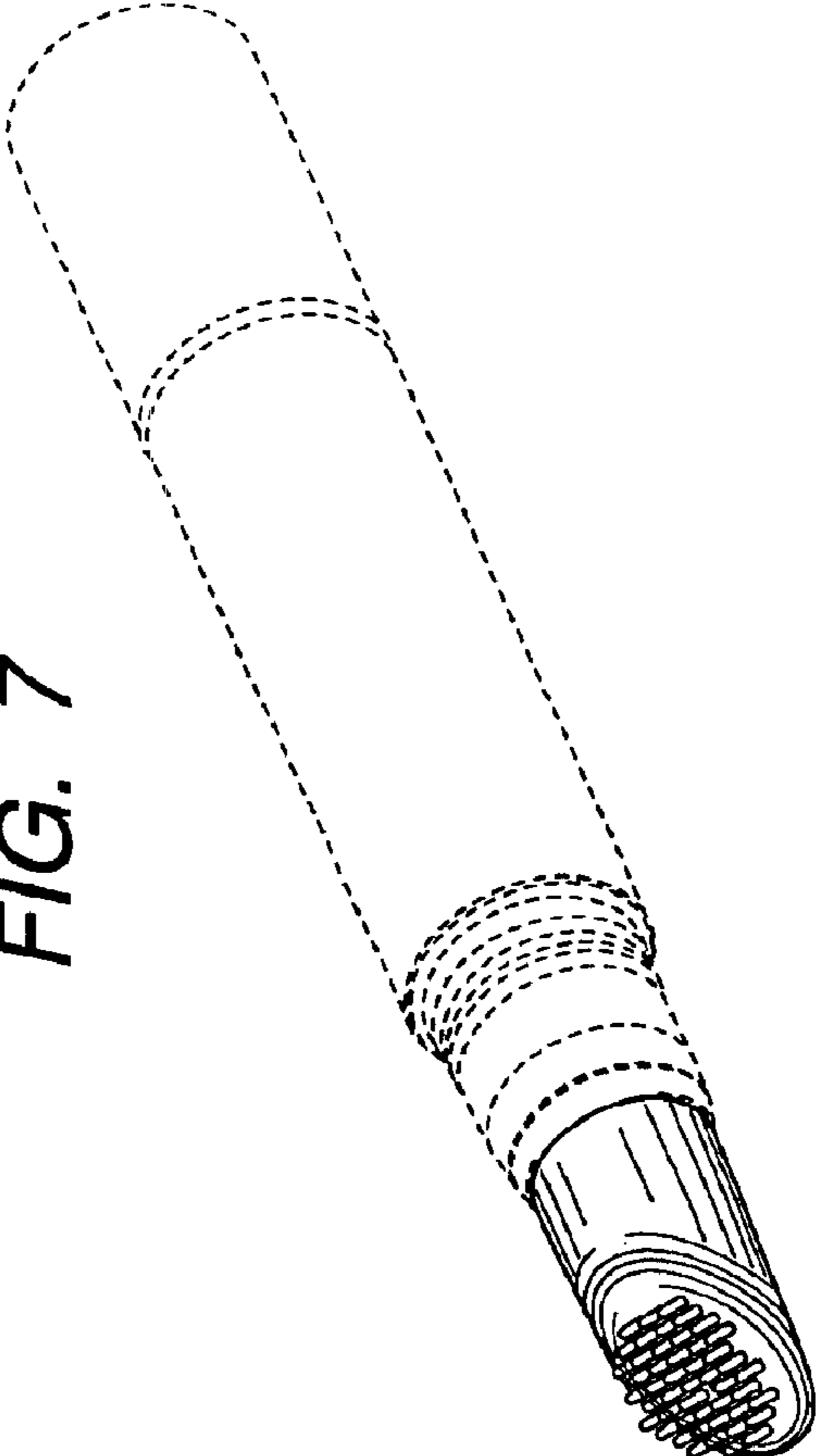


FIG. 8

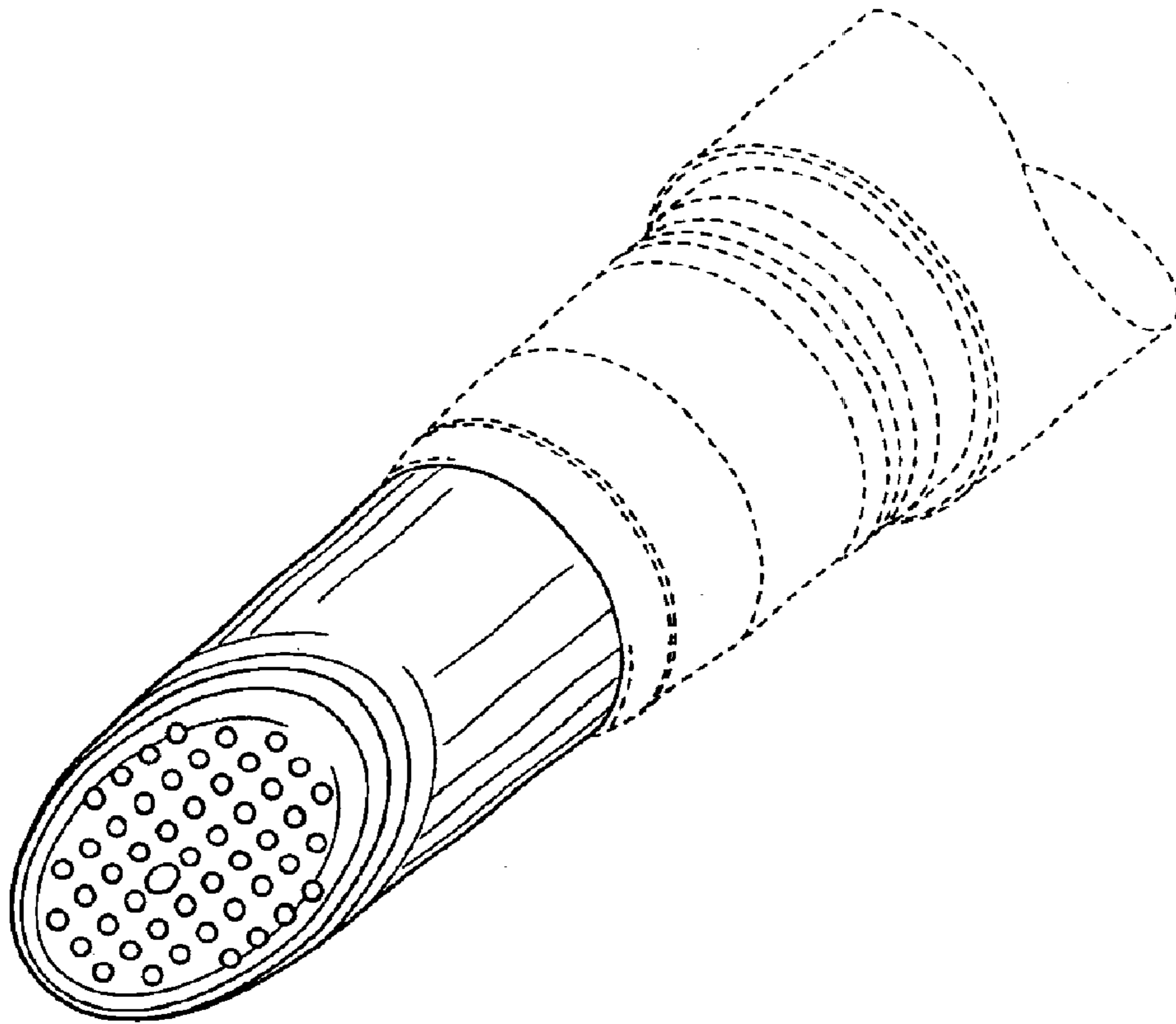


FIG. 9

