



US00D503534S

(12) **United States Design Patent**  
**Dong**

(10) **Patent No.:** **US D503,534 S**

(45) **Date of Patent:** **\*\* Apr. 5, 2005**

(54) **CONTAINER**

(75) **Inventor:** **Jane Dong**, Fort Lee, NJ (US)

(73) **Assignee:** **X M International, Inc.**, East Rutherford, NJ (US)

(\*\*) **Term:** **14 Years**

(21) **Appl. No.:** **29/189,372**

(22) **Filed:** **Sep. 3, 2003**

(30) **Foreign Application Priority Data**

Mar. 3, 2003 (CN) ..... 03328223

(51) **LOC (7) Cl.** ..... **03-01**

(52) **U.S. Cl.** ..... **D3/276; D3/302; D3/294**

(58) **Field of Search** ..... D3/272, 273, 274,  
D3/276, 281, 291, 294, 302; D32/53; D9/424;  
206/349, 372, 373, 508; 220/771, 782,  
784, 752, 773

(56) **References Cited**

**U.S. PATENT DOCUMENTS**

- D232,152 S \* 7/1974 Roper et al. .... D32/53
- D233,218 S \* 10/1974 Lynn ..... D32/53
- 3,866,791 A \* 2/1975 Roper et al. .... 220/770
- D327,555 S \* 6/1992 Juergens ..... D34/1

- D339,436 S \* 9/1993 Craft et al. .... D32/53
- 5,472,111 A \* 12/1995 Renfrew ..... 220/570
- 5,641,090 A \* 6/1997 Kowalski et al. .... 220/782
- D407,878 S \* 4/1999 Carlson ..... D32/53

\* cited by examiner

*Primary Examiner*—Philip S. Hyder

(74) *Attorney, Agent, or Firm*—Brandon N. Sklar; Jonathan Tyler; Kaye Scholer LLP

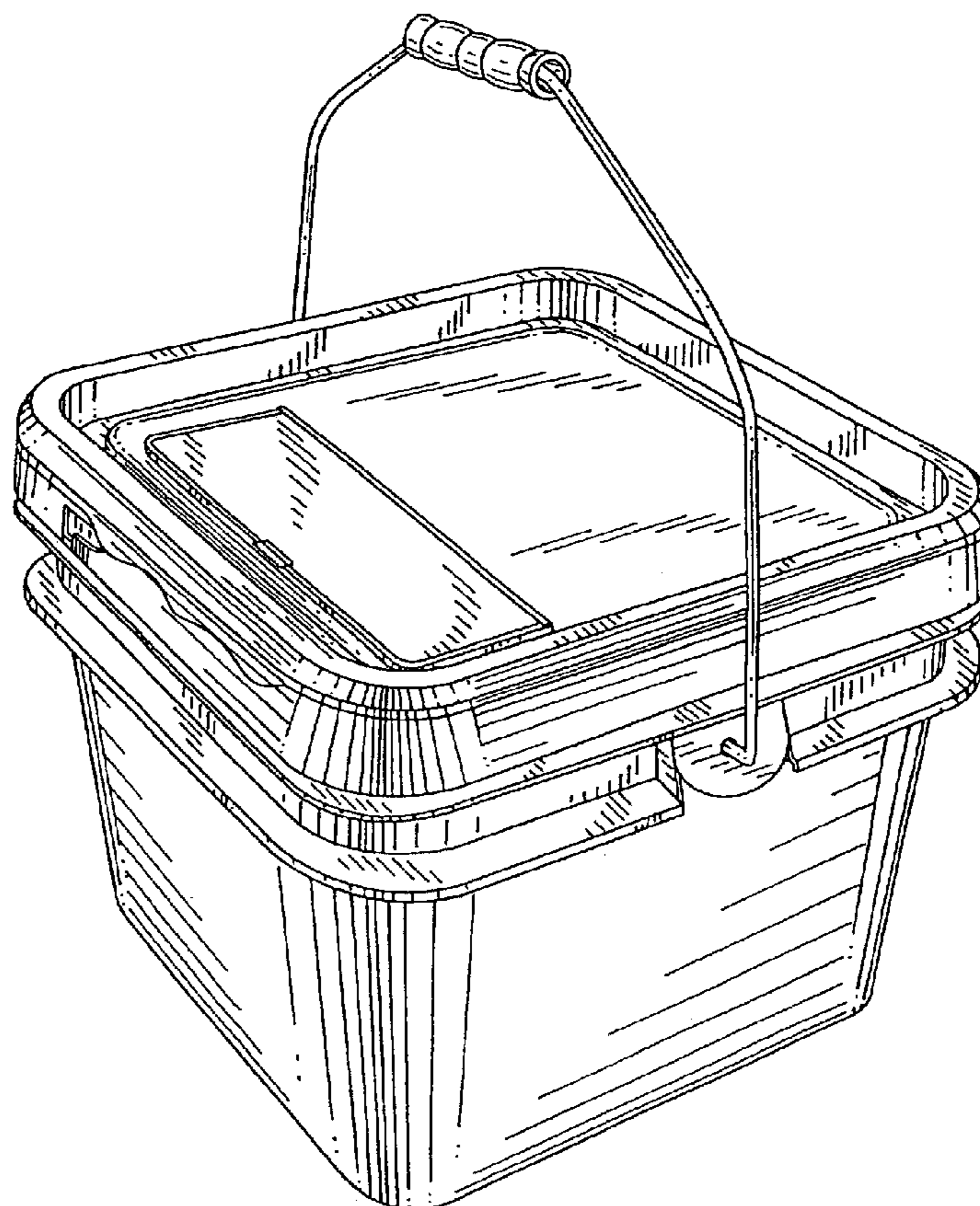
(57) **CLAIM**

The ornamental design for a container, as shown and described.

**DESCRIPTION**

FIG. 1 is a top, front, and right side perspective view of one embodiment of a container, with a handle in an upright position and a lid in a closed position, showing my design; FIG. 2 is a top elevational view of the container of FIG. 1; FIG. 3 is a front elevational view of the container of FIG. 1; FIG. 4 is a left side elevational view of the container of FIG. 1; FIG. 5 is a rear elevational view of the container of FIG. 1; FIG. 6 is a bottom view of the container of FIG. 1; and, FIG. 7 is a top, front, and right side perspective view of the container of FIG. 1, with the handle in a lowered position and the lid in an opened position.

**1 Claim, 7 Drawing Sheets**



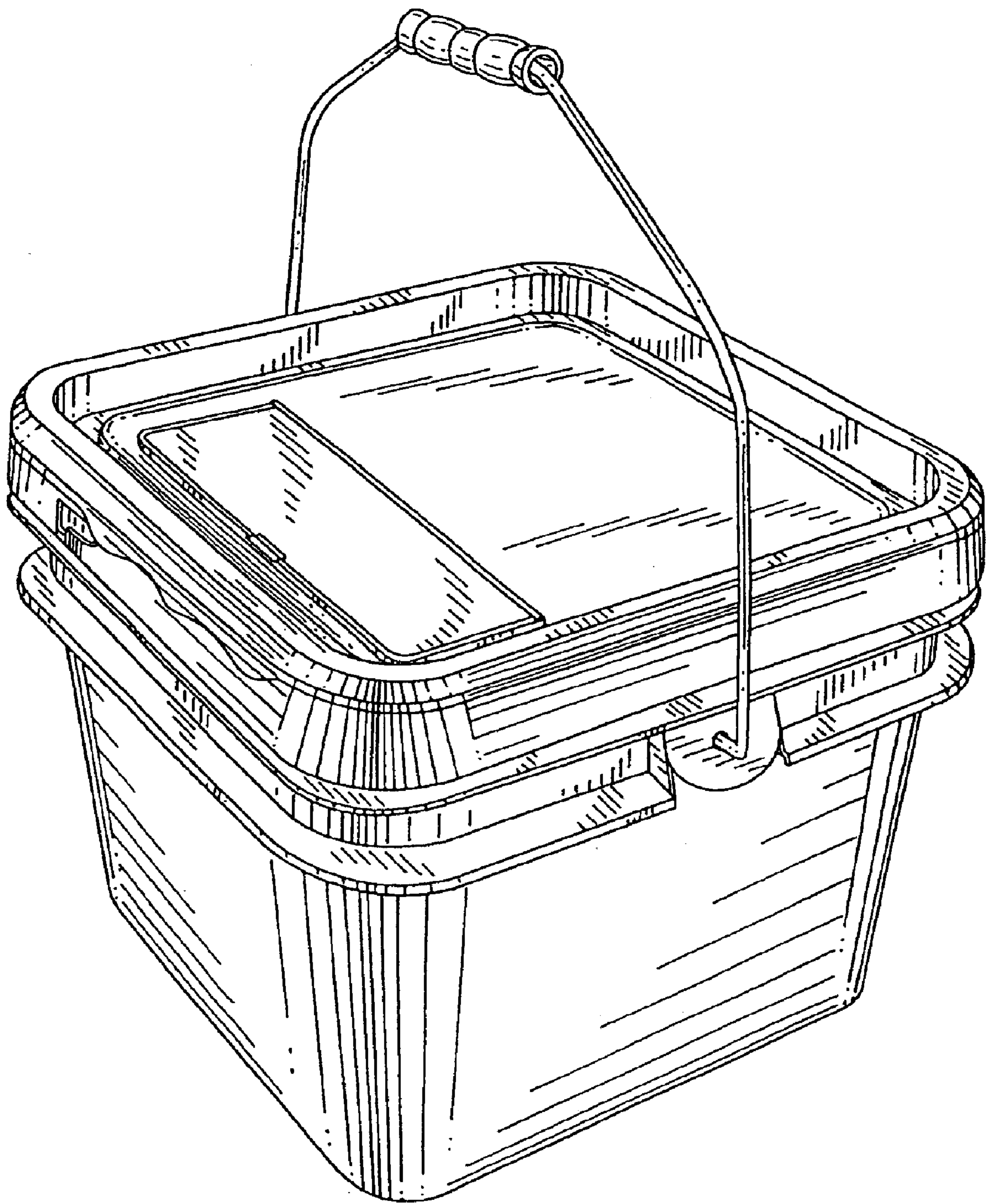


FIG. 1

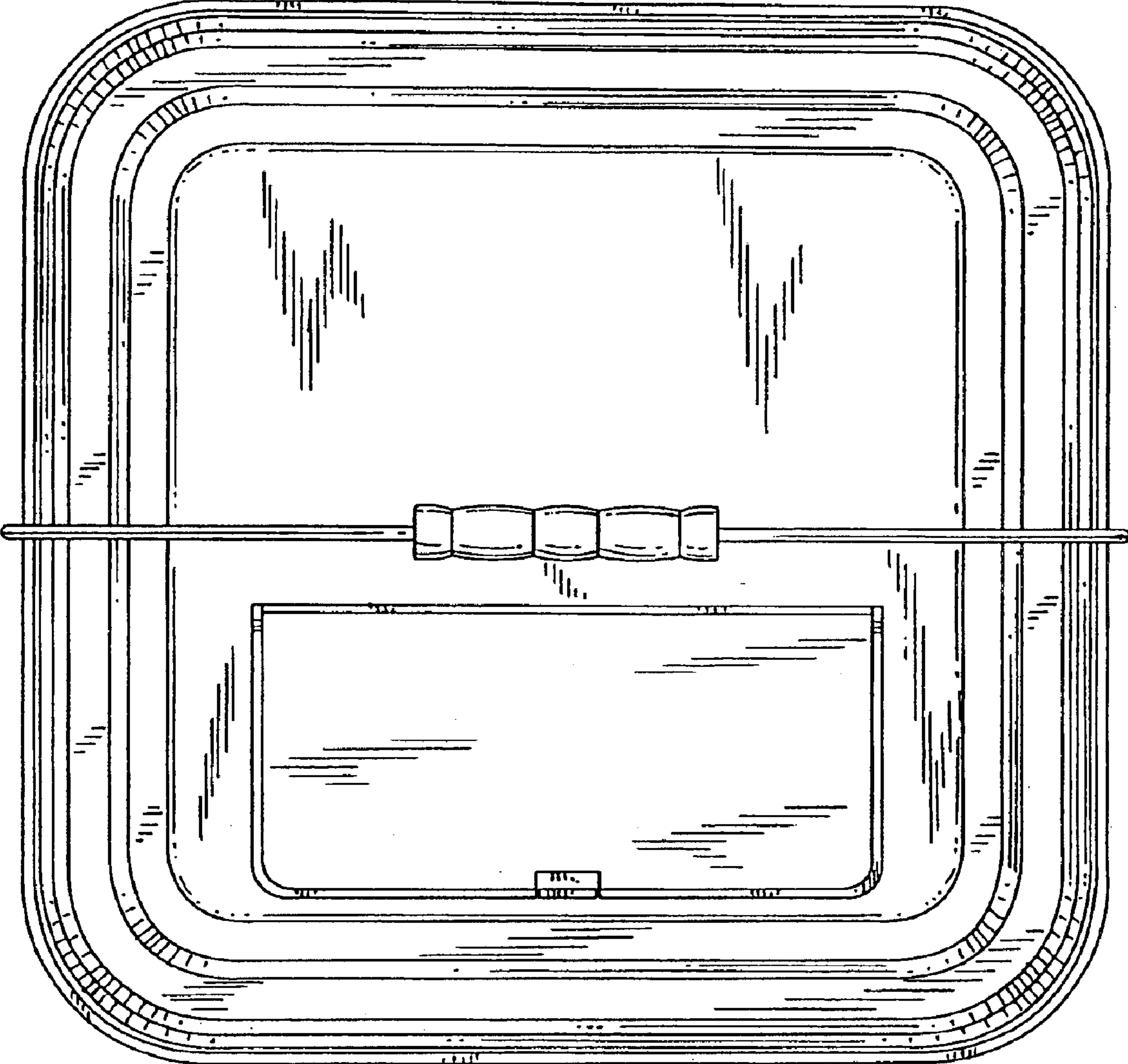


FIG. 2

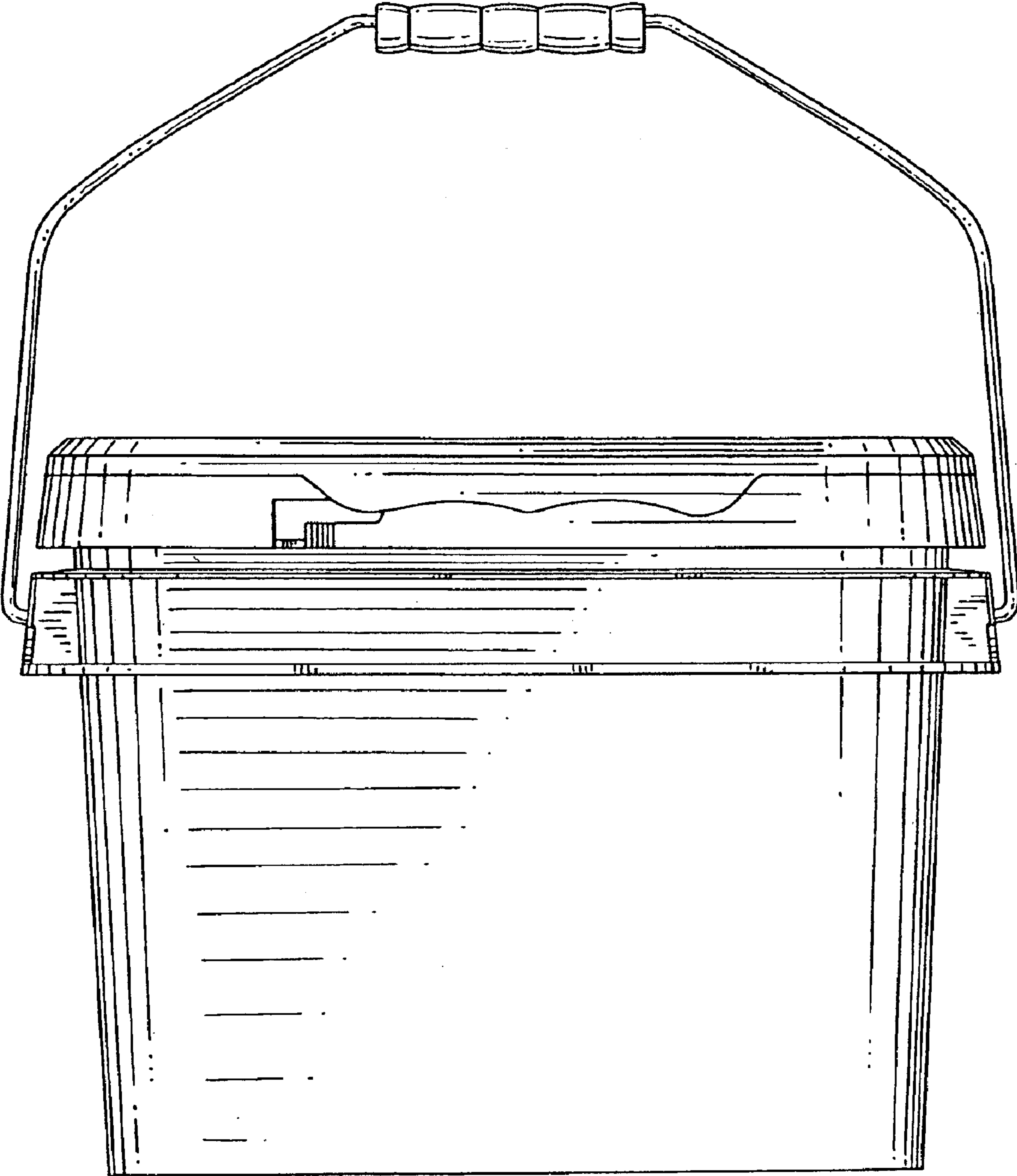


FIG. 3

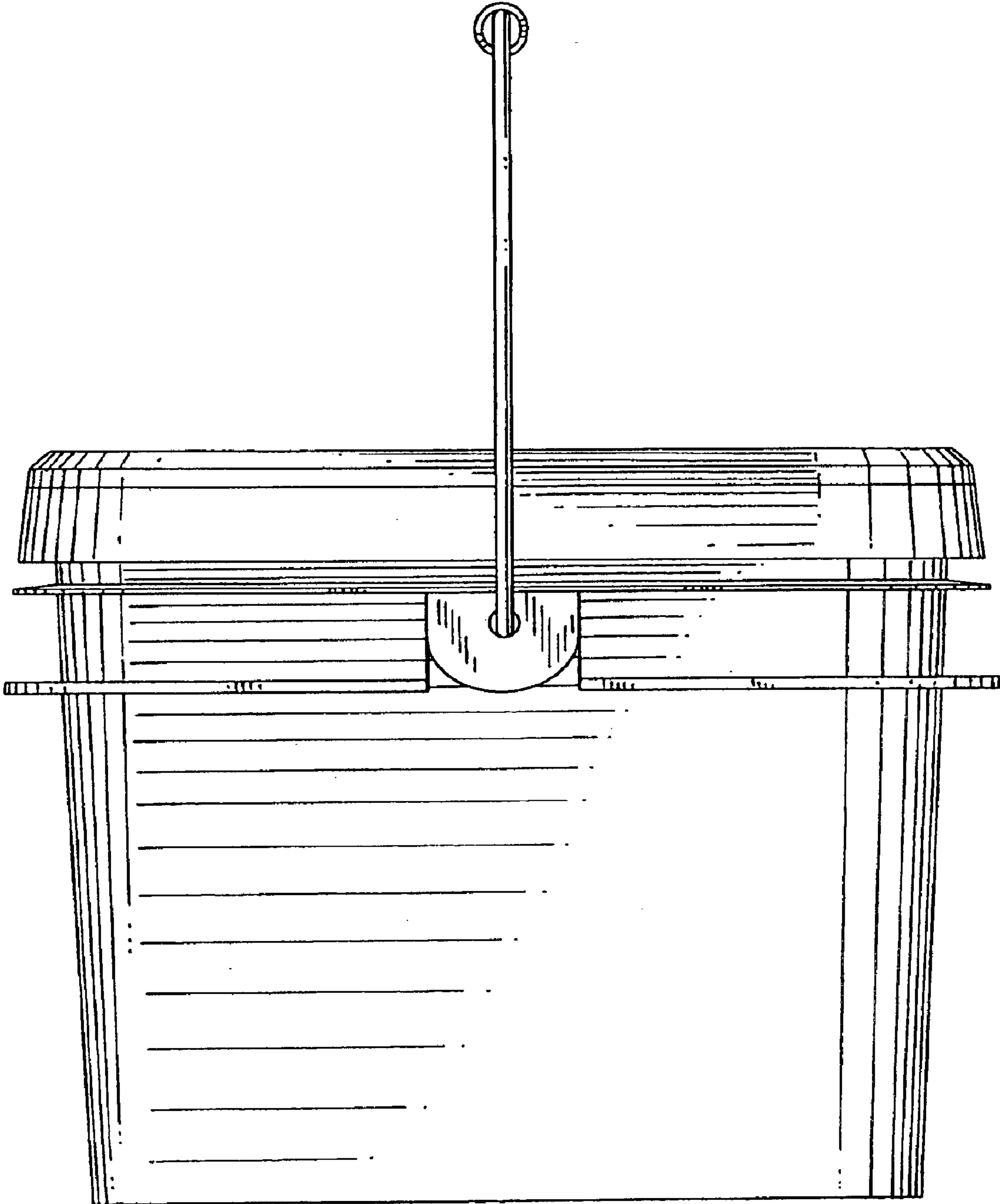


FIG. 4

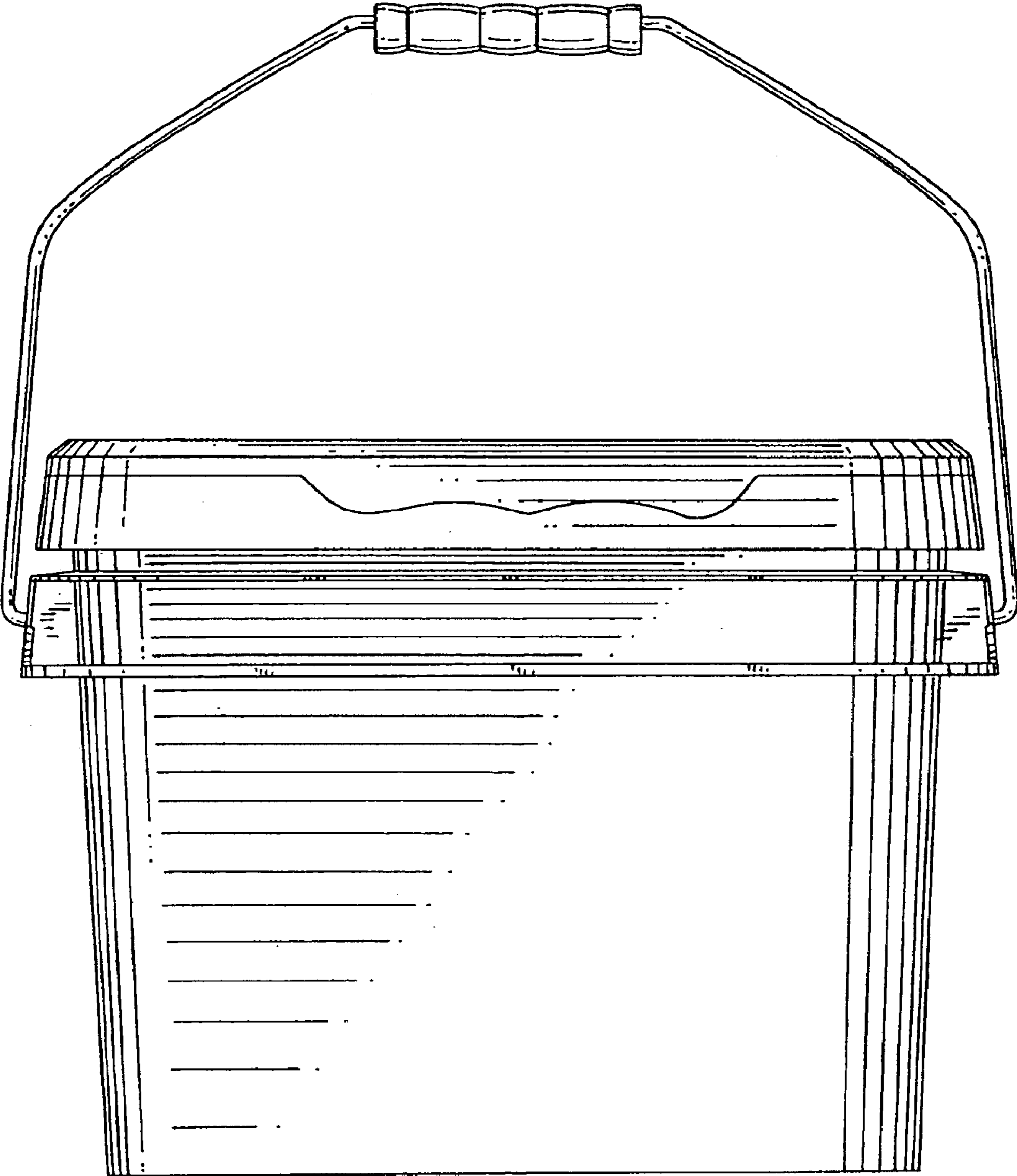


FIG. 5

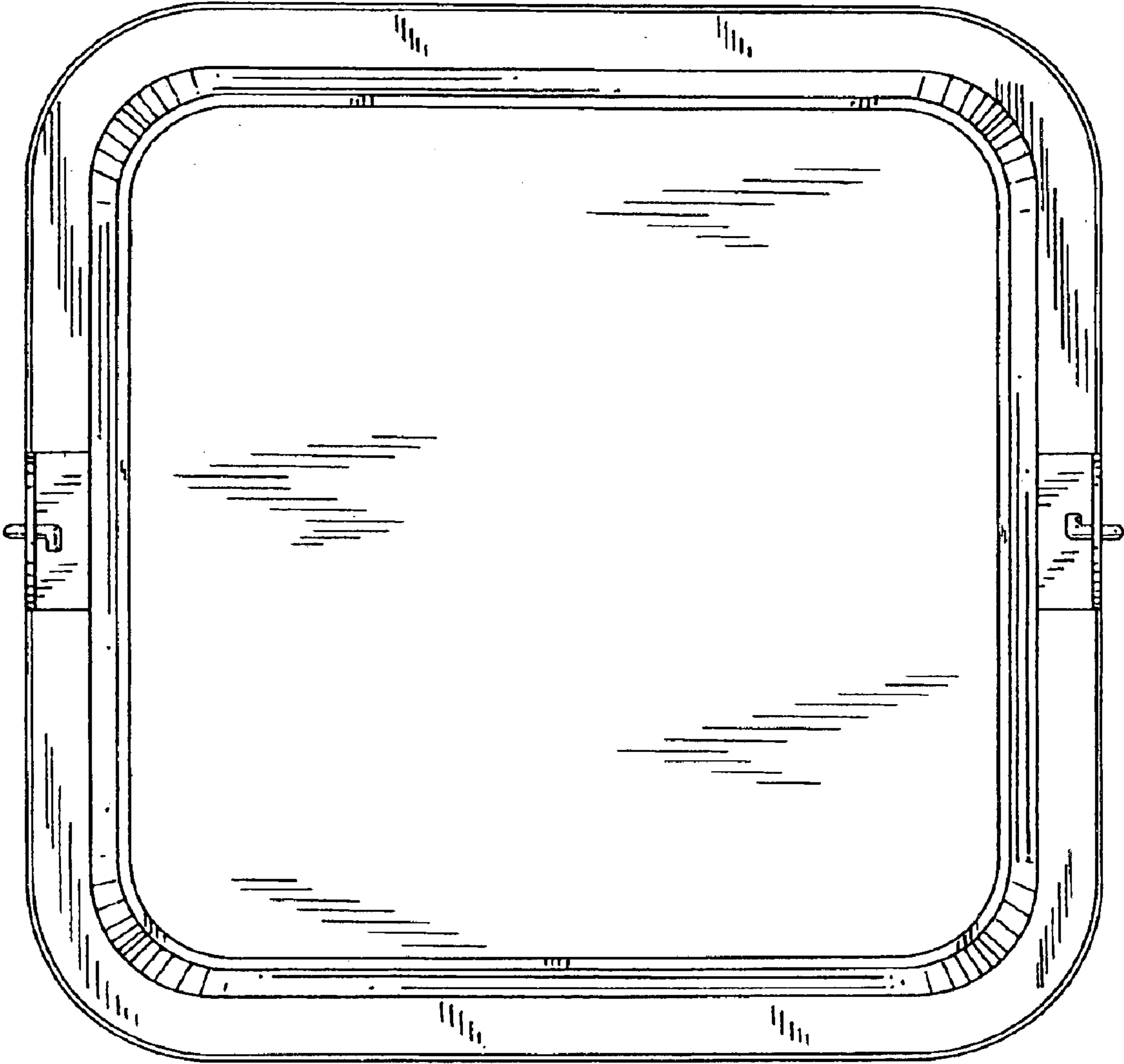


FIG. 6

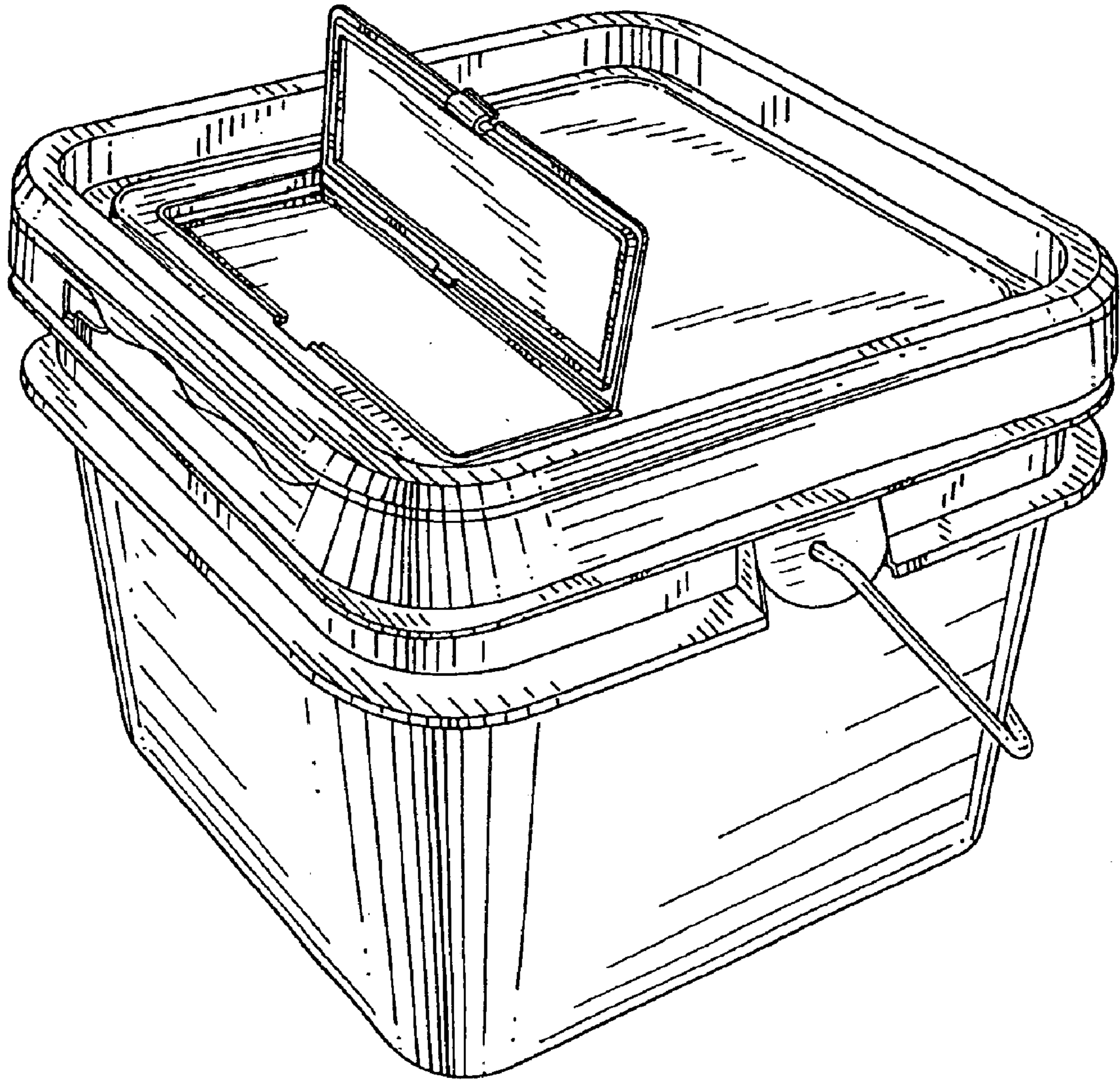


FIG. 7