

US00D503513S

(12) **United States Design Patent**  
**McCarthy**

(10) **Patent No.:** **US D503,513 S**

(45) **Date of Patent:** **\*\* Apr. 5, 2005**

(54) **GARMENT**

(75) **Inventor:** **Martin McCarthy, Etobicoke (CA)**

(73) **Assignee:** **Kobuck Ltd., Grand Cayman (KN)**

(\*\*) **Term:** **14 Years**

(21) **Appl. No.:** **29/180,915**

(22) **Filed:** **May 2, 2003**

(51) **LOC (7) Cl. .... 02-02**

(52) **U.S. Cl. .... D2/735**

(58) **Field of Search** ..... D2/735, 738, 742,  
D2/751, 752, 722, 731, 736, 851, 853,  
860; 450/95; 2/69-72, 74-75, 211-213,  
227-228, 237-238, 220, 406, 47, 71

(56) **References Cited**

**U.S. PATENT DOCUMENTS**

549,472 A	11/1895	Winthrop	
562,140 A	6/1896	McCartney	
1,280,963 A	10/1918	Copenhafer	
D63,411 S	* 12/1923	Lord	D5/46
2,091,441 A	8/1937	Hauser	
D132,032 S	* 4/1942	Niedner	D5/46
2,368,189 A	1/1945	Wolman et al.	
2,381,295 A	* 8/1945	Leon	2/71
2,613,383 A	10/1952	Morgan	
D198,559 S	* 6/1964	Jenkins	D5/46
3,164,843 A	1/1965	Erteszek	
3,315,274 A	4/1967	Roody	
3,399,679 A	9/1968	Barg	
3,678,514 A	7/1972	Safrit	
3,961,376 A	6/1976	Howell	
4,106,125 A	8/1978	Palumbo	
5,052,058 A	10/1991	Mueller	
5,557,808 A	* 9/1996	Kawai	2/211
5,566,393 A	* 10/1996	Best	2/74
D388,938 S	* 1/1998	De Scandiffio	D2/851
5,806,100 A	9/1998	De Scandiffio	
6,029,279 A	* 2/2000	Ralston et al.	2/211
6,148,443 A	11/2000	Maastricht	
D434,545 S	* 12/2000	Maastricht	D2/735

6,282,723 B1	*	9/2001	Villegas	2/211
D472,391 S	*	4/2003	Romero Femenia	D5/46
D472,717 S	*	4/2003	Buckle	D5/46

**FOREIGN PATENT DOCUMENTS**

WO WO 99/07334 10/1988

\* cited by examiner

*Primary Examiner*—Louis S. Zarfes

*Assistant Examiner*—Melanie Levy

(74) *Attorney, Agent, or Firm*—Bereskin & Parr

(57) **CLAIM**

The ornamental Design for a garment, as shown.

**DESCRIPTION**

FIG. 1 is a perspective view from the front and above of the design;

FIG. 2 is a perspective view from the rear and below of the design;

FIG. 3 is a right side elevation view thereof;

FIG. 4 is a front elevation view thereof;

FIG. 5 is a left side elevation view thereof;

FIG. 6 is a rear elevation view thereof;

FIG. 7 is a top plan view thereof;

FIG. 8 is a bottom plan view thereof;

FIG. 9 is a perspective view from the front and above of the garment in an open configuration;

FIG. 10 is a perspective view from the front and above of a second embodiment of the design;

FIG. 11 is a perspective view from the rear and below of the second embodiment of the design;

FIG. 12 is a right side elevation view thereof;

FIG. 13 is a front elevation view thereof;

FIG. 14 is a left side elevation view thereof;

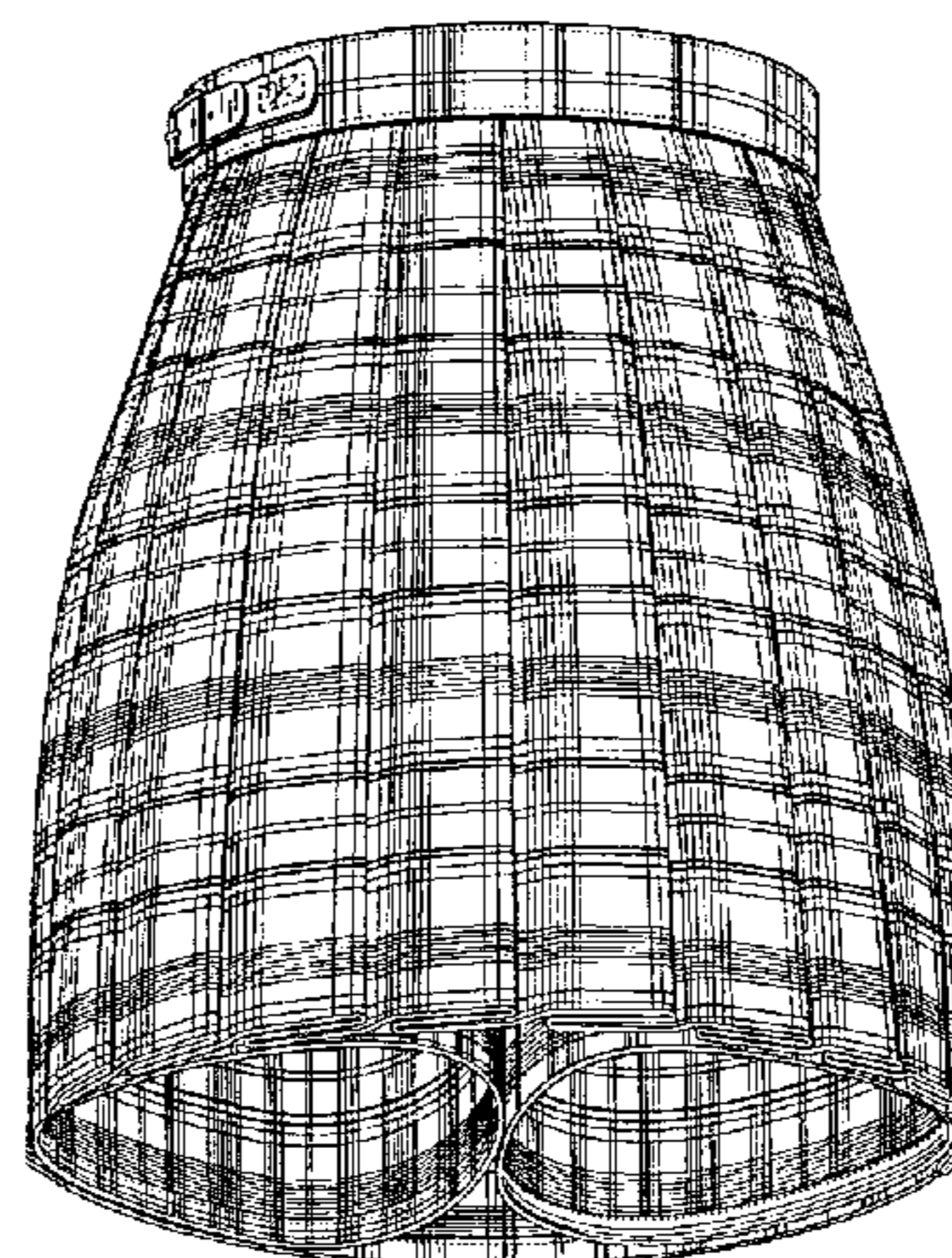
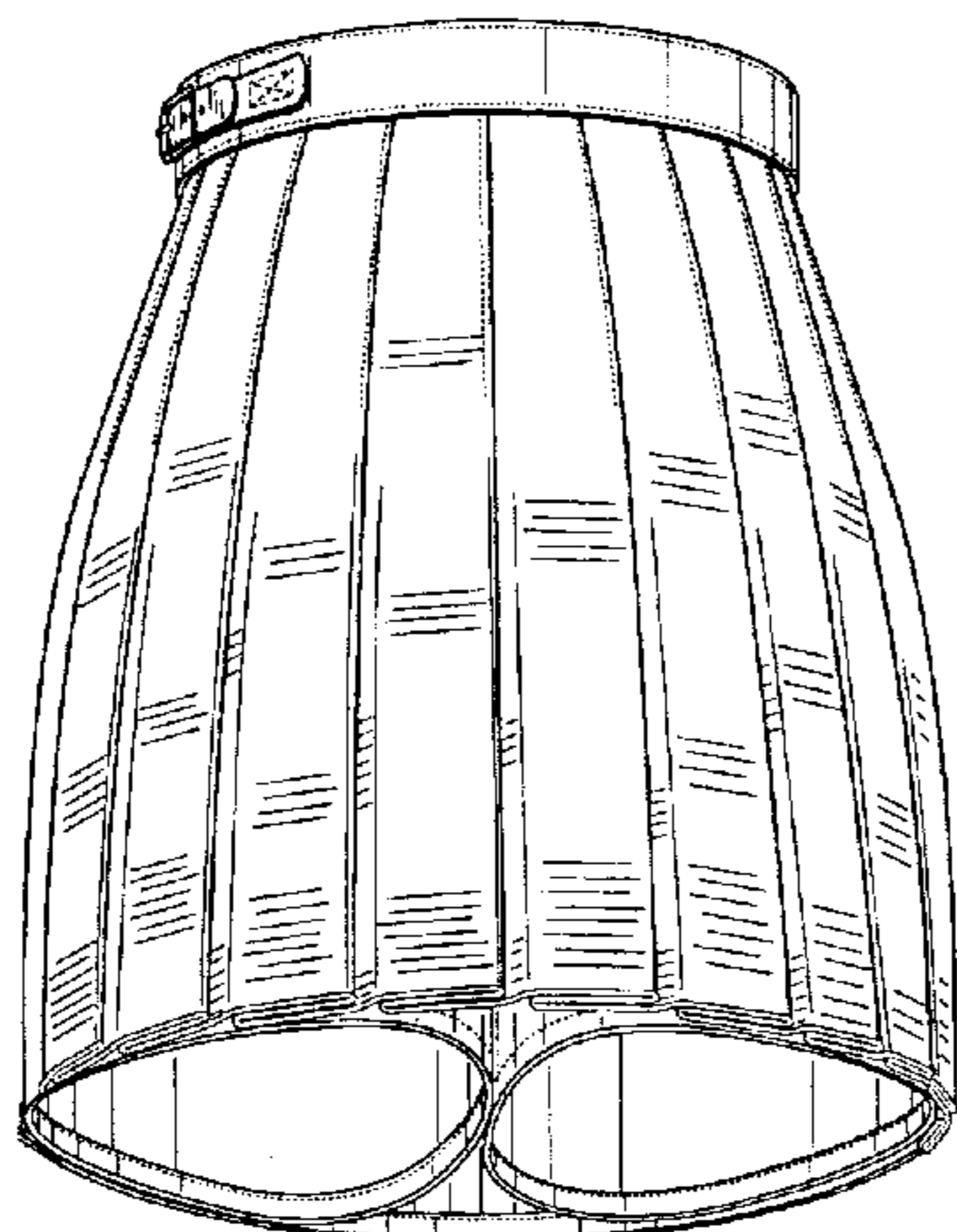
FIG. 15 is a rear elevation view thereof;

FIG. 16 is a top plan view thereof;

FIG. 17 is a bottom plan view thereof; and,

FIG. 18 is a perspective view from the front and above of the garment in an open configuration.

**1 Claim, 10 Drawing Sheets**



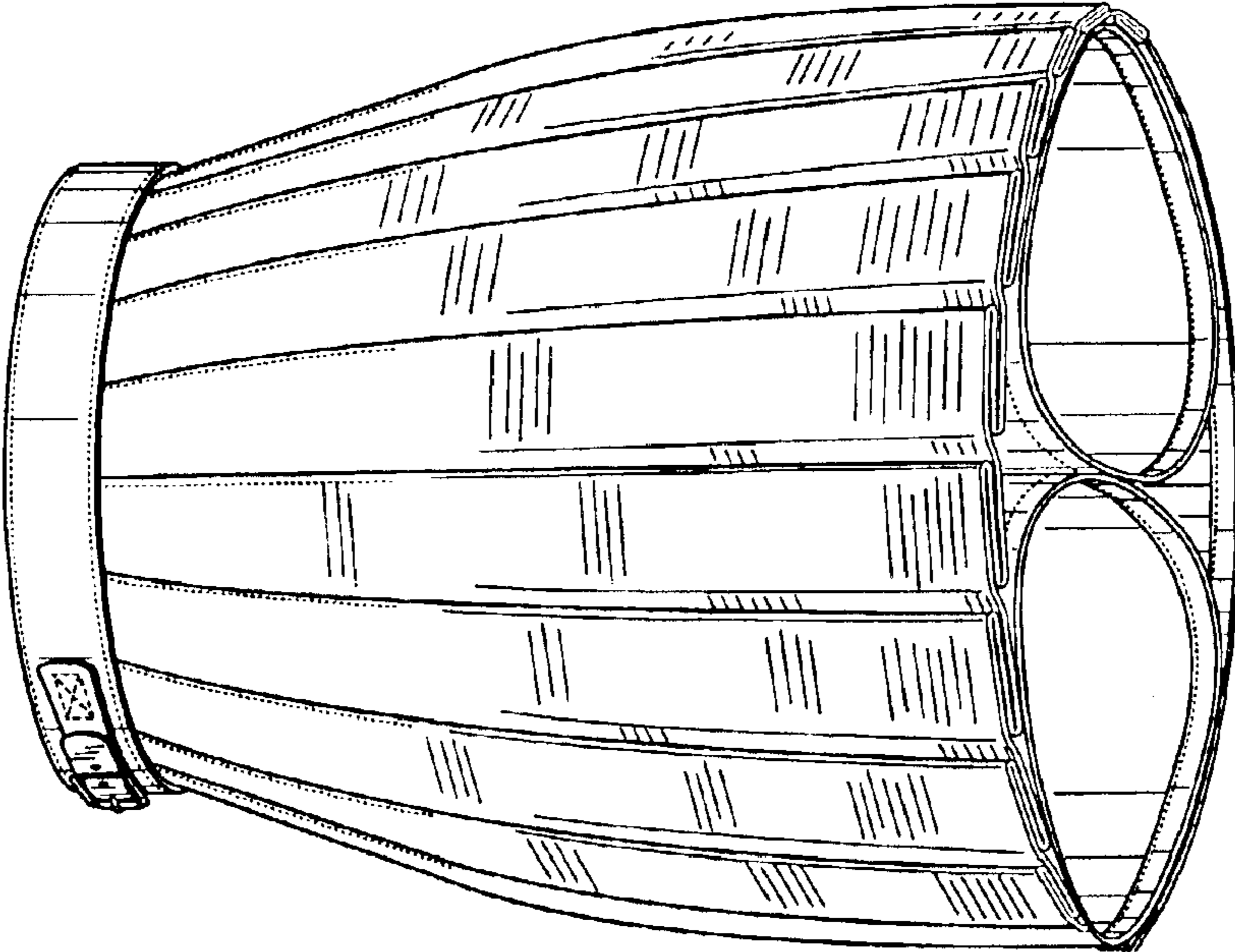


FIG. 2

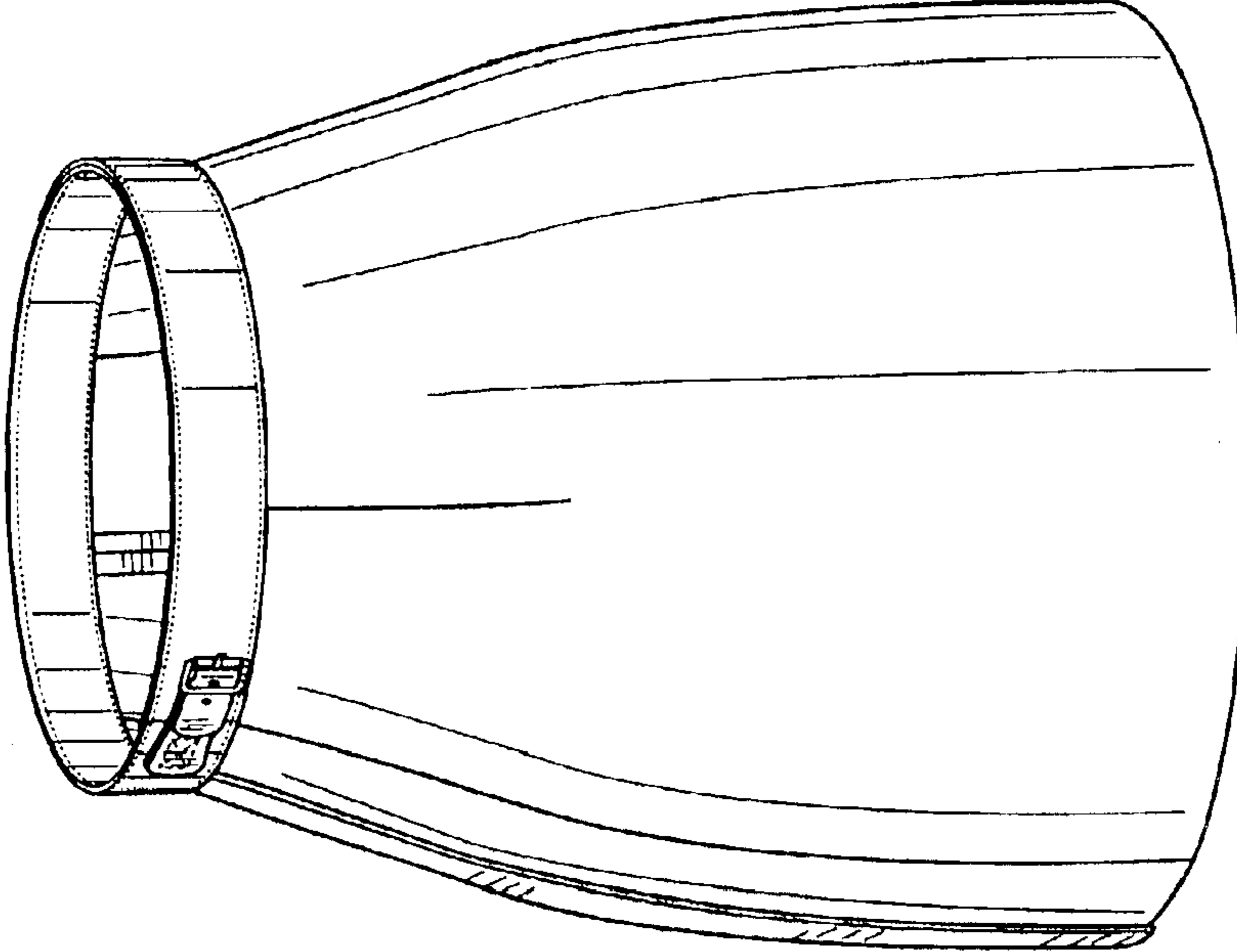


FIG. 1

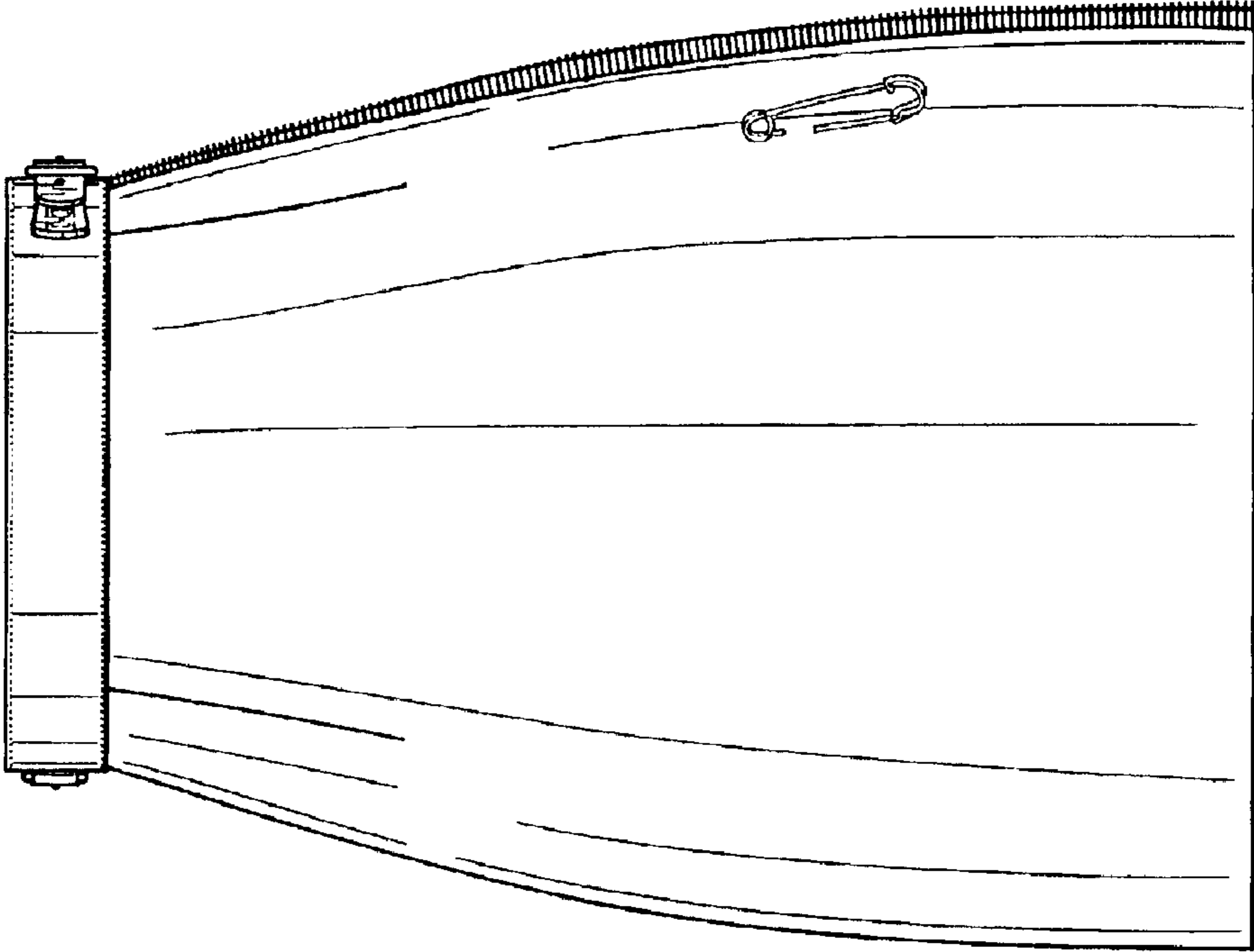


FIG. 4

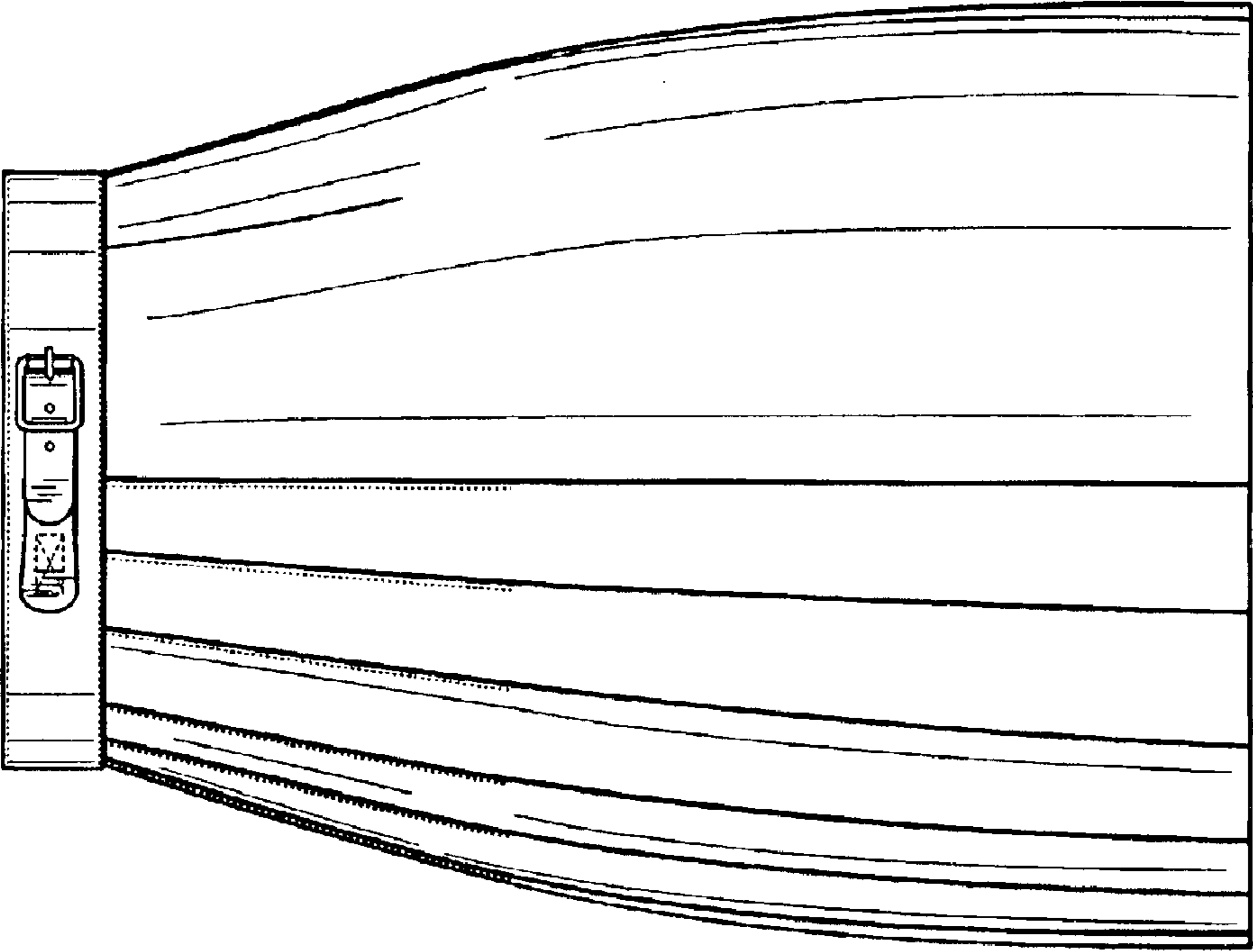
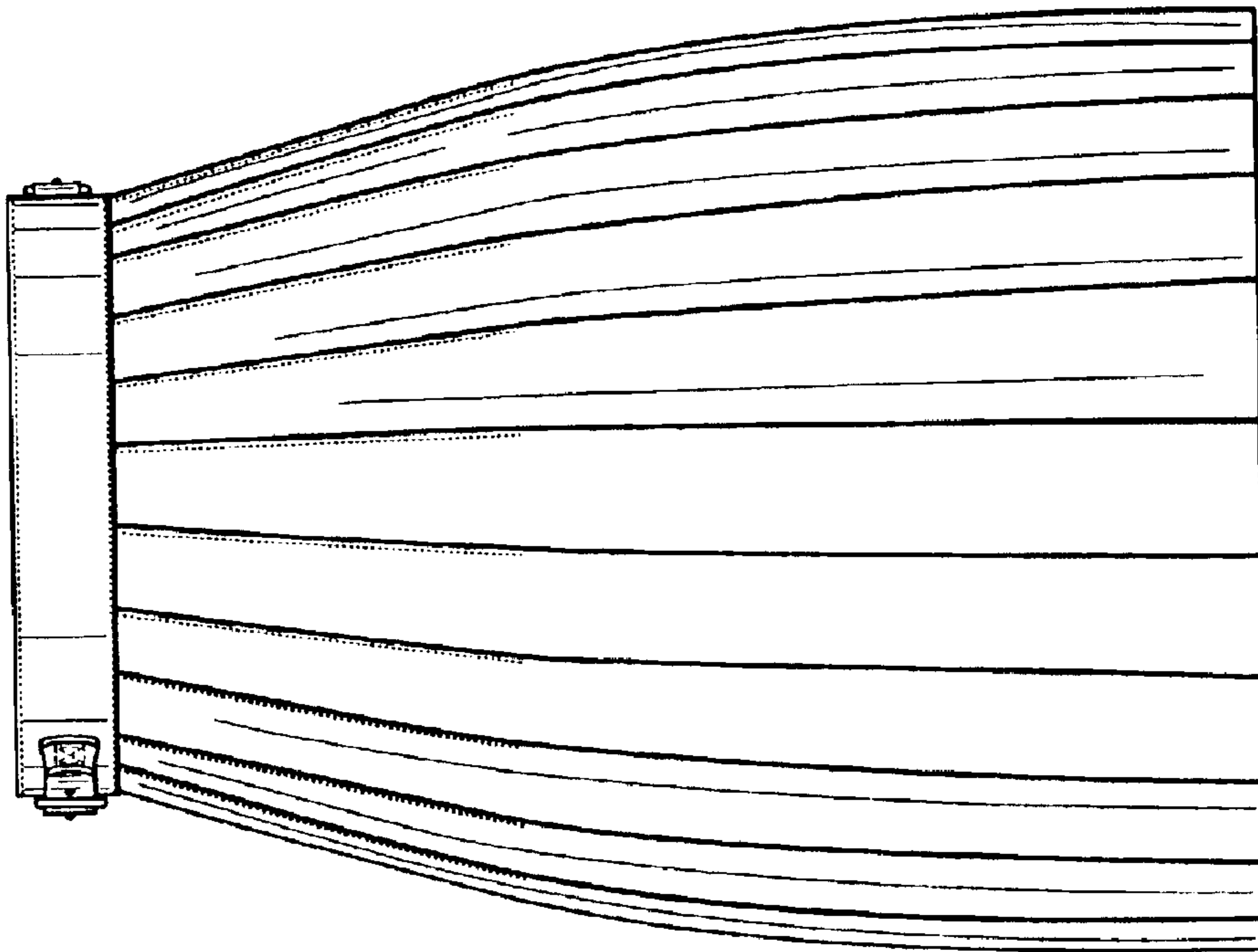
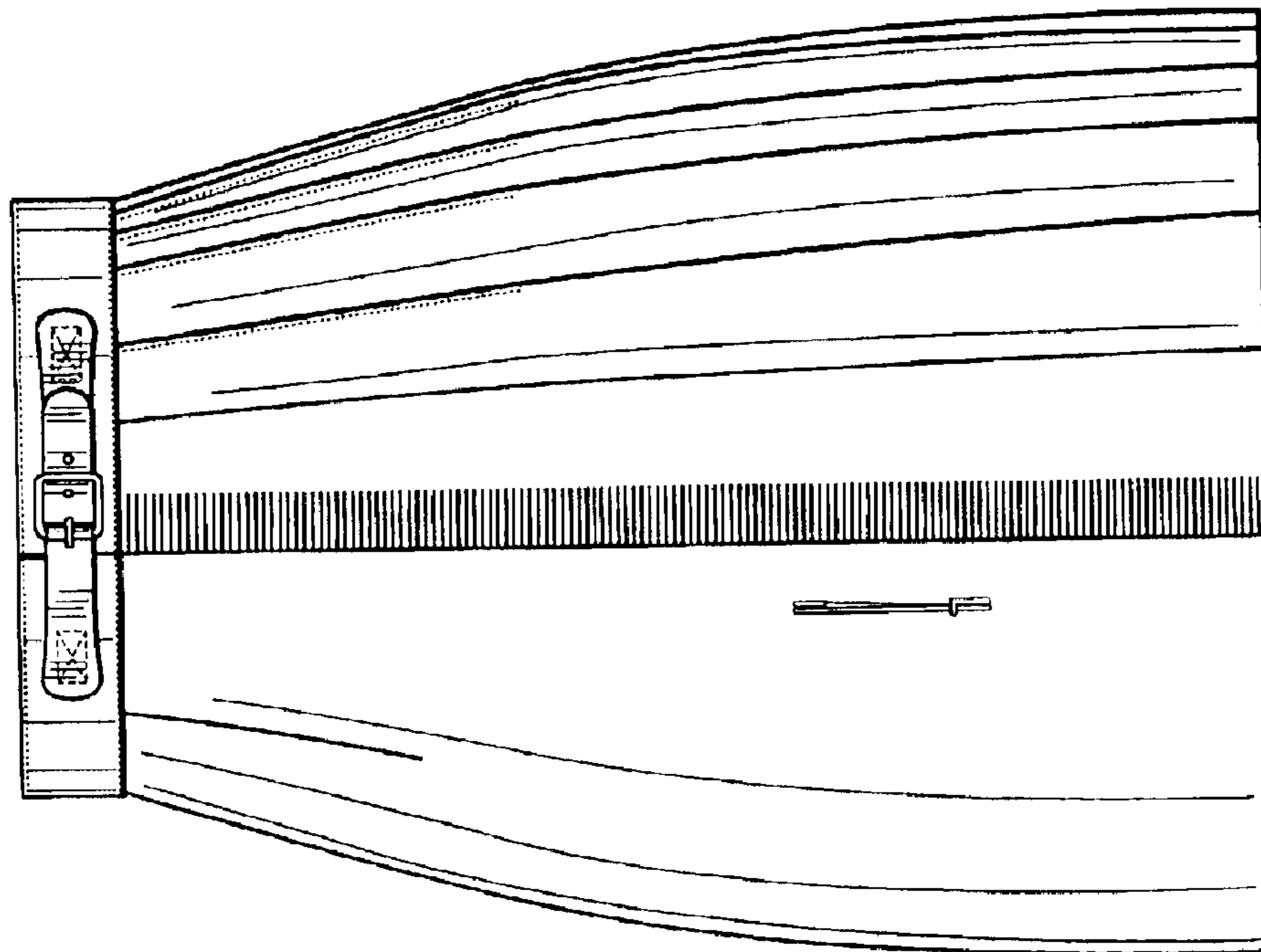


FIG. 3



**FIG. 6**



**FIG. 5**

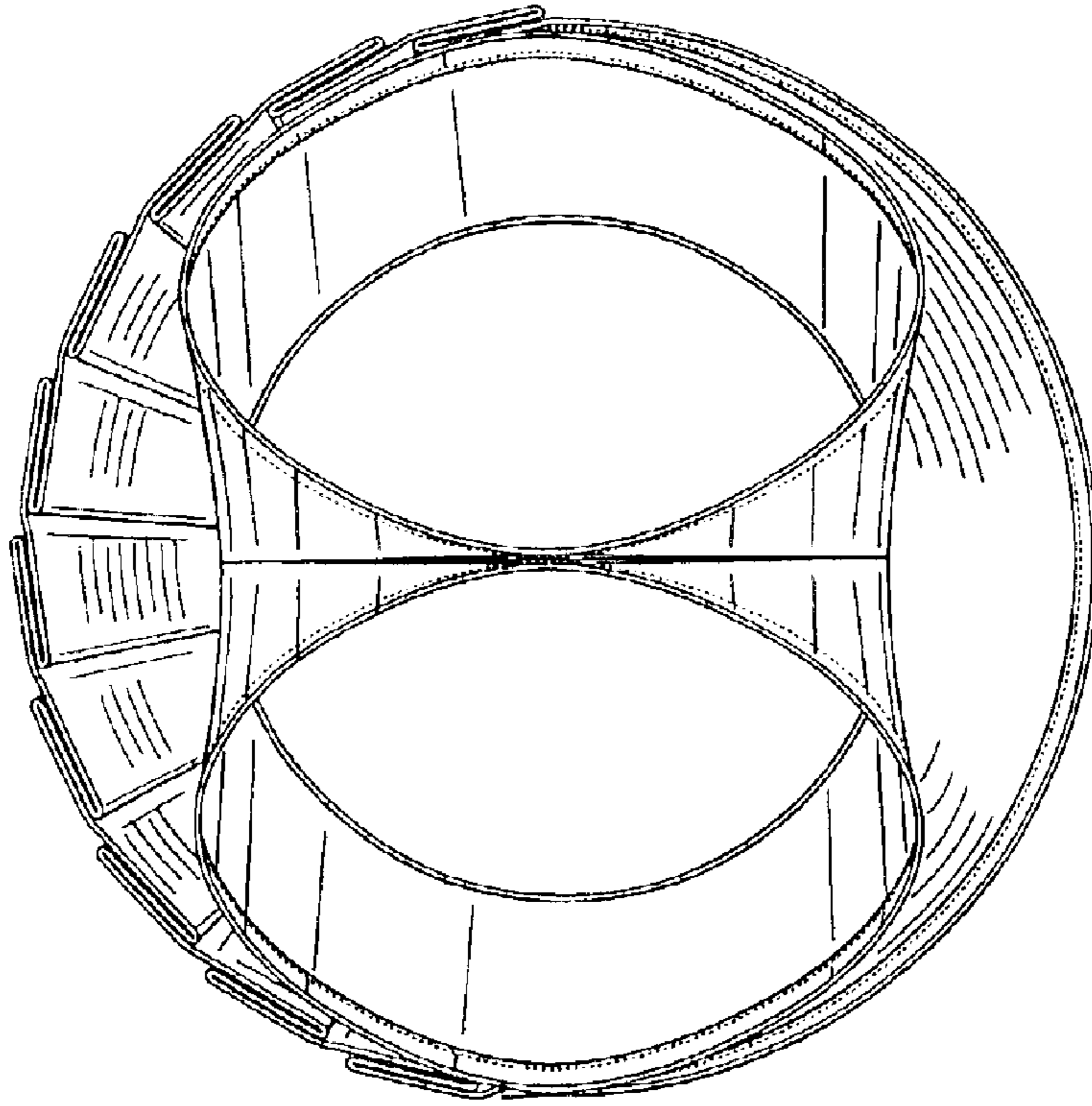


FIG. 8

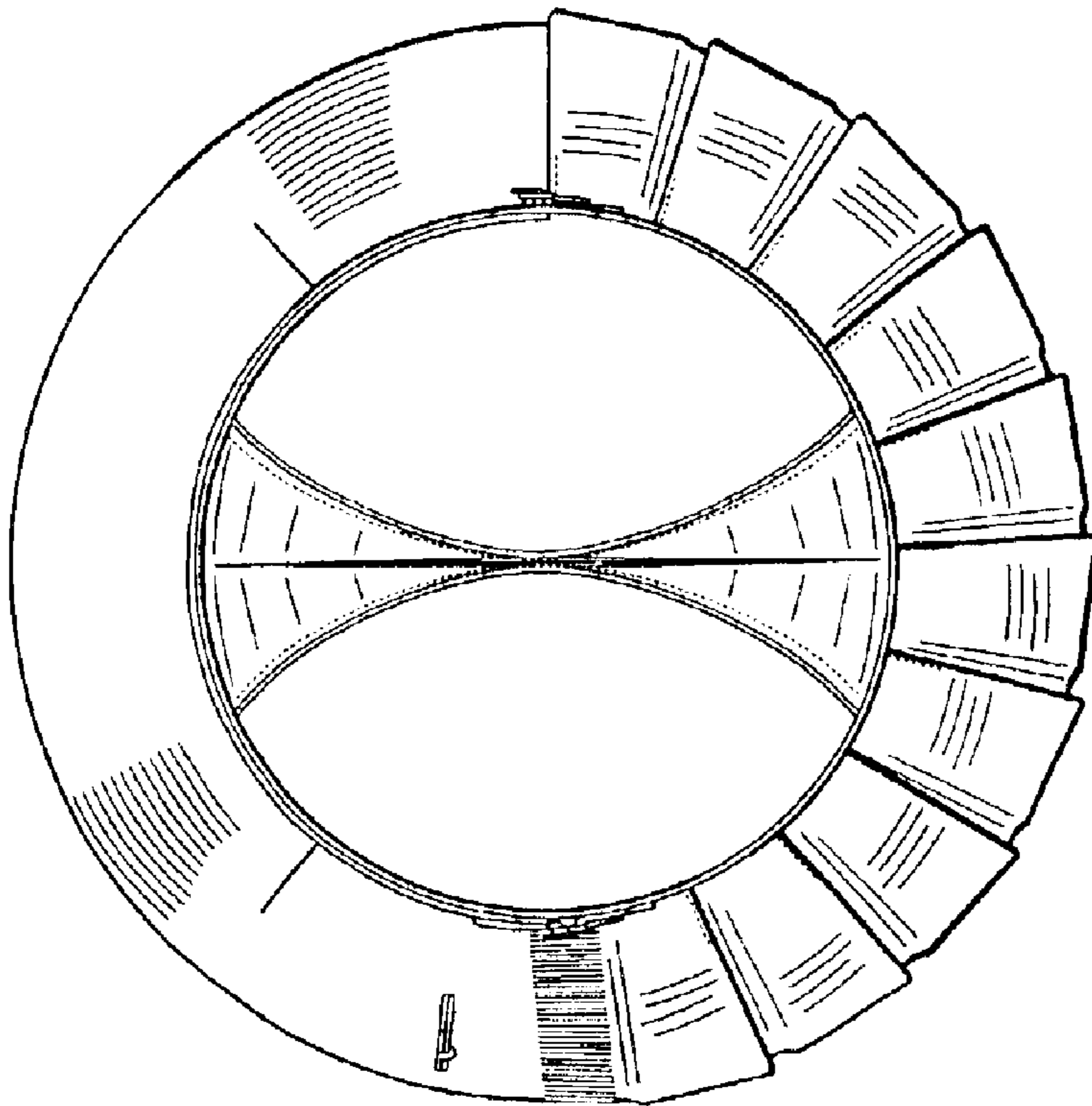


FIG. 7

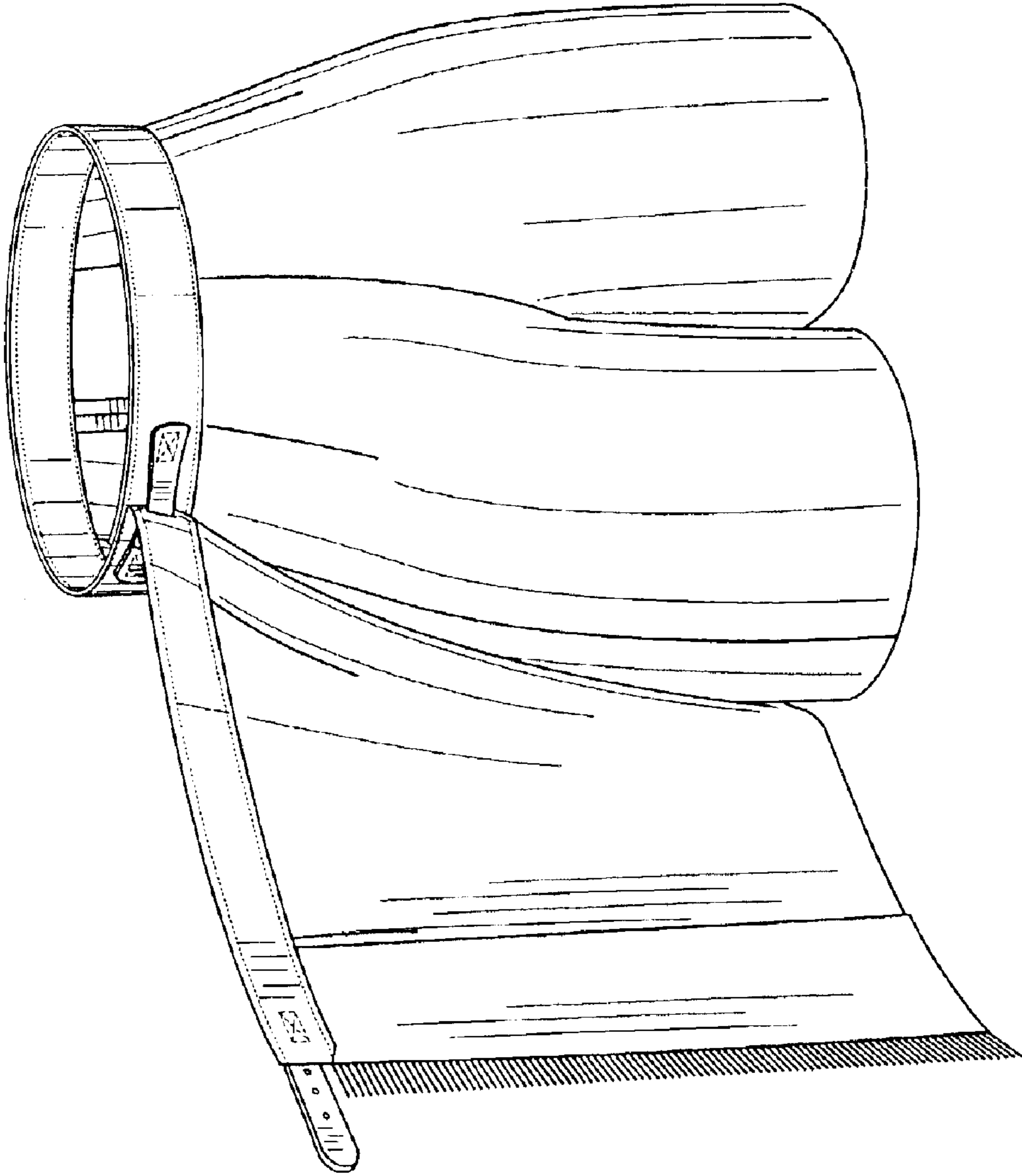


FIG. 9

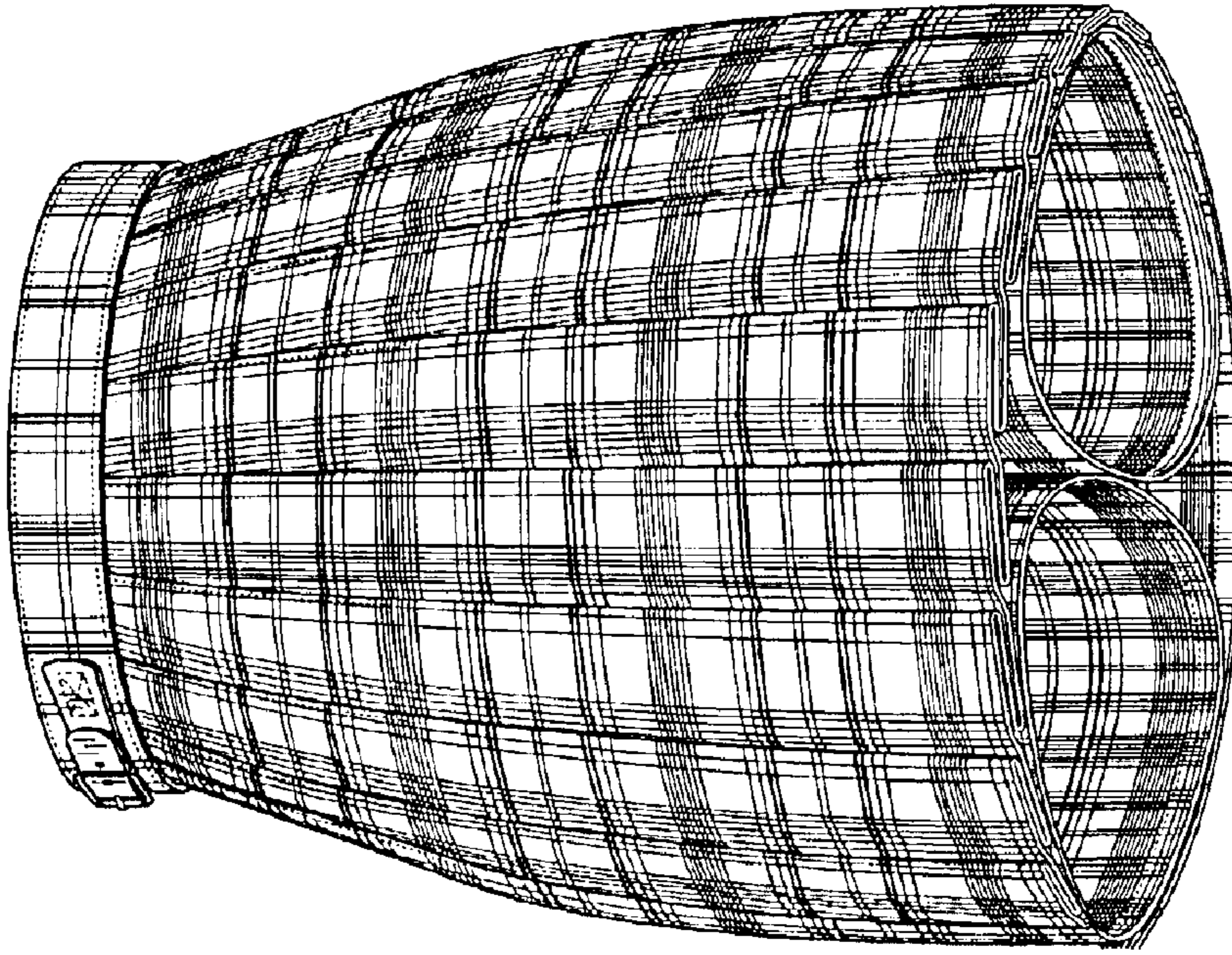


FIG. 11

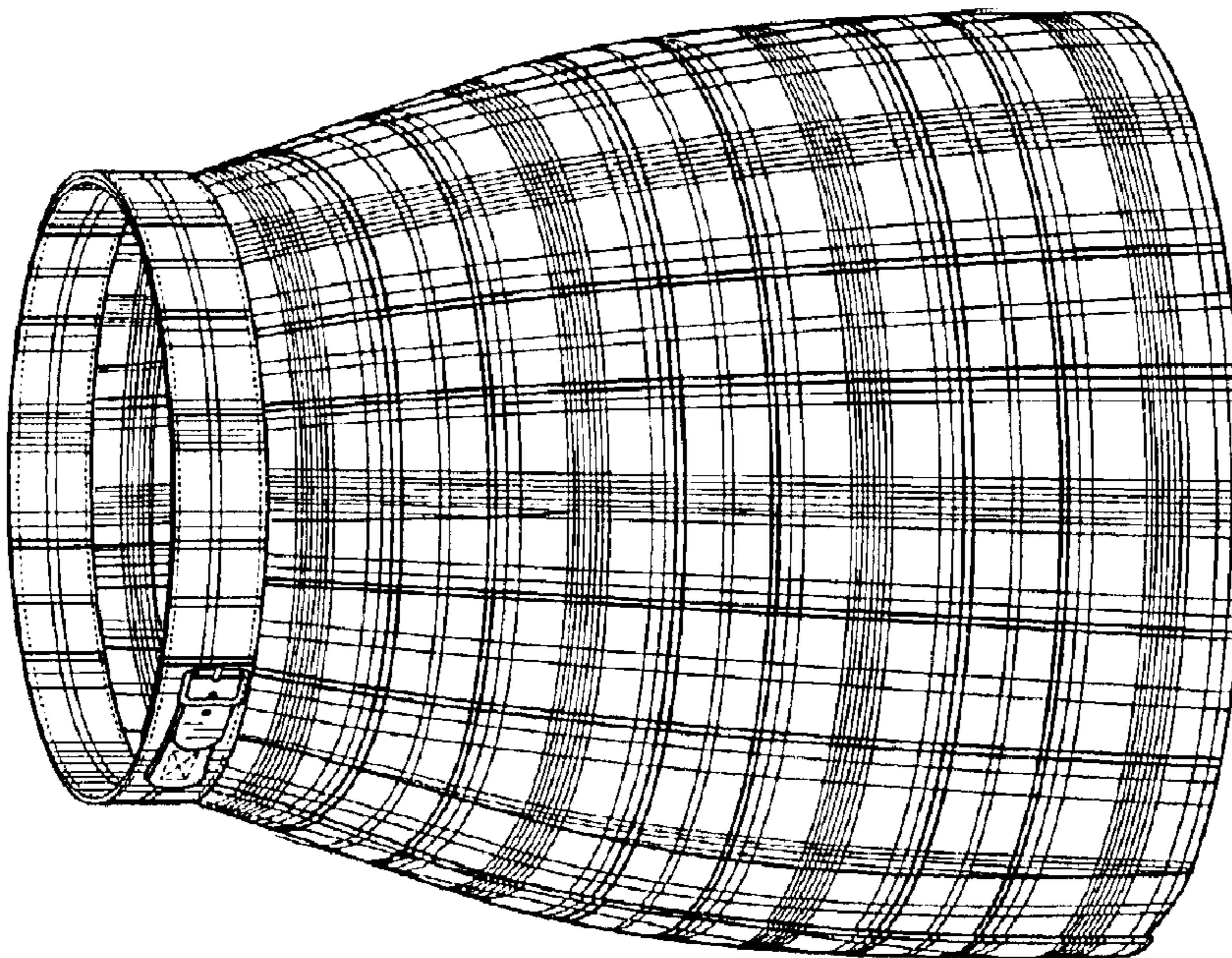


FIG. 10

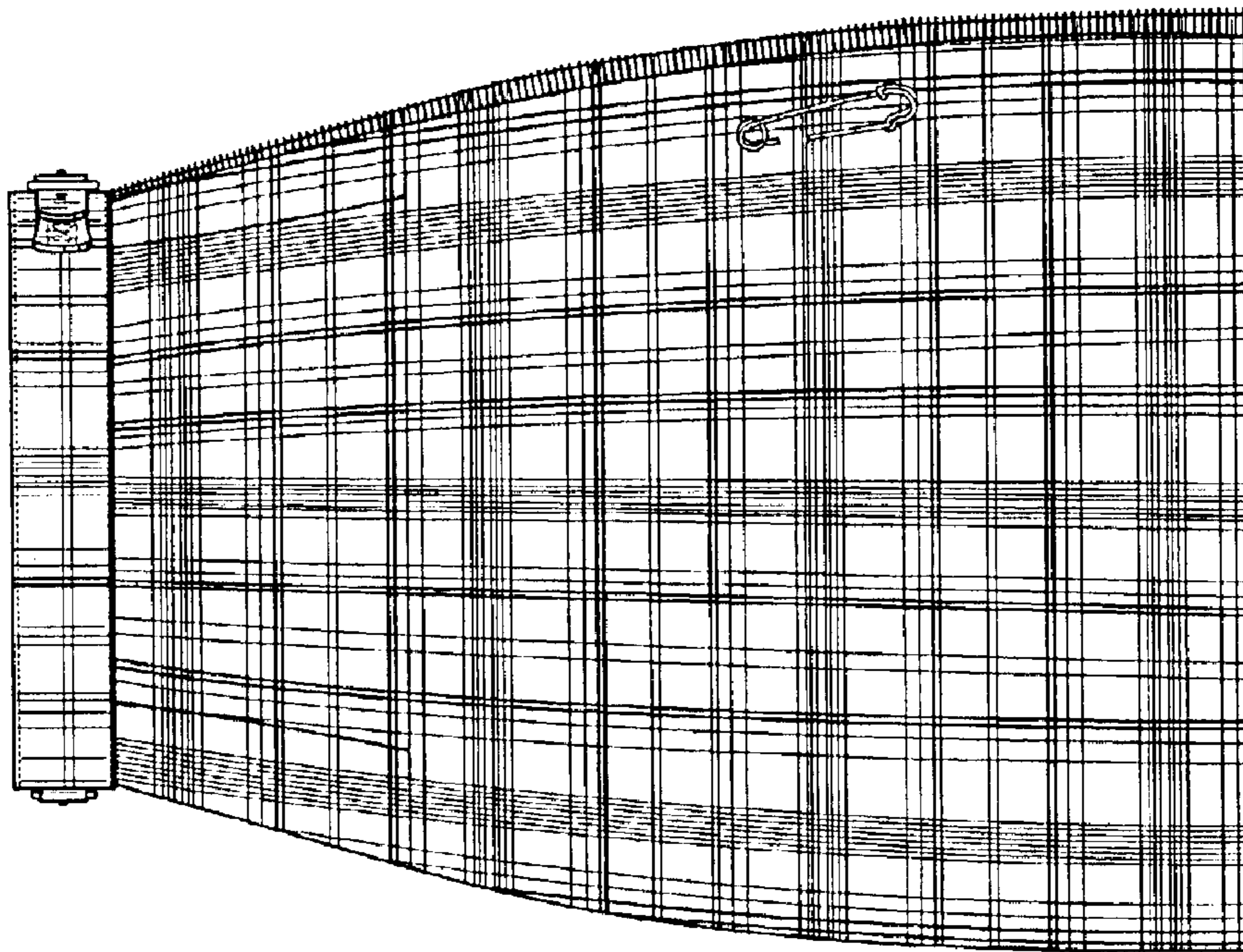


FIG. 13

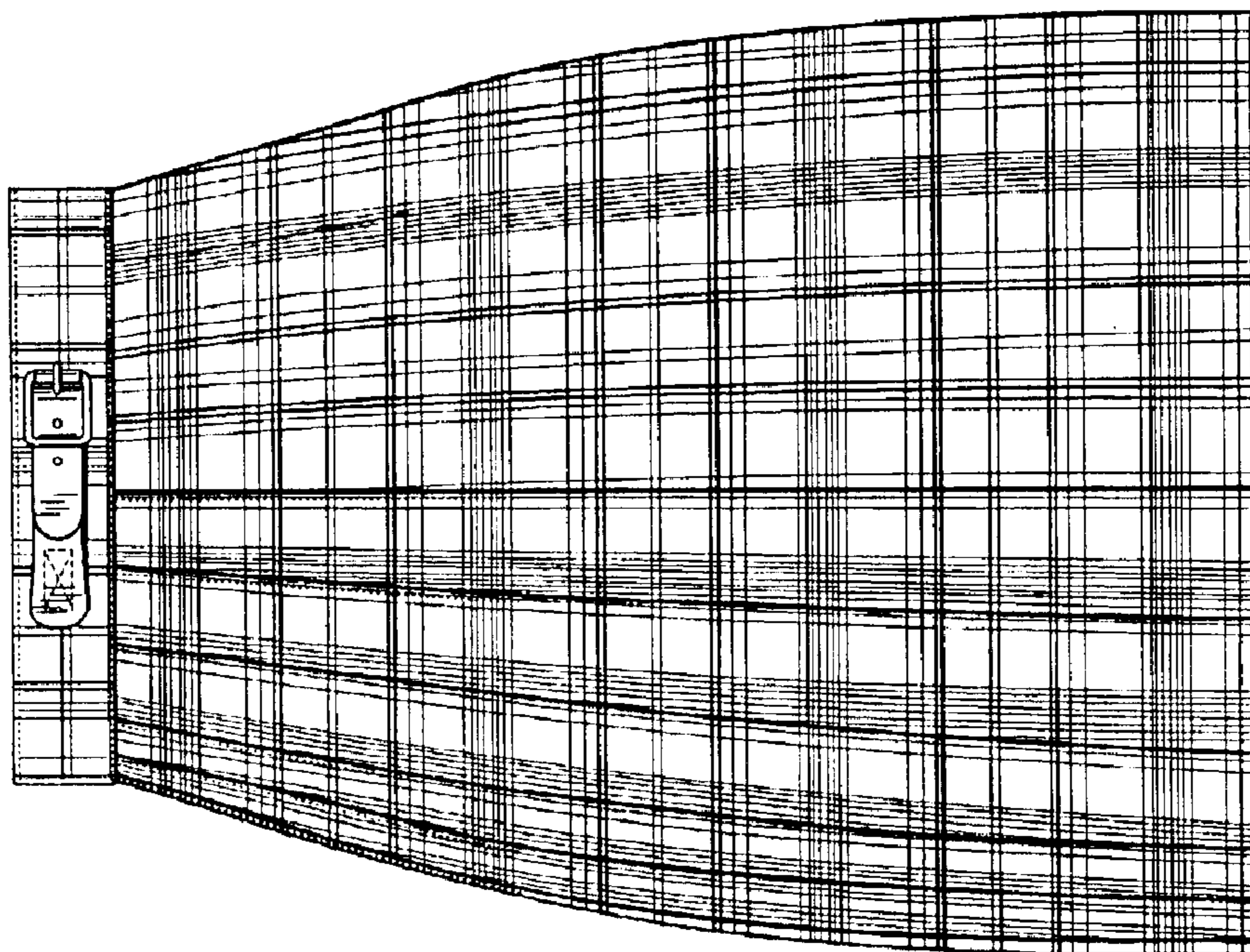


FIG. 12



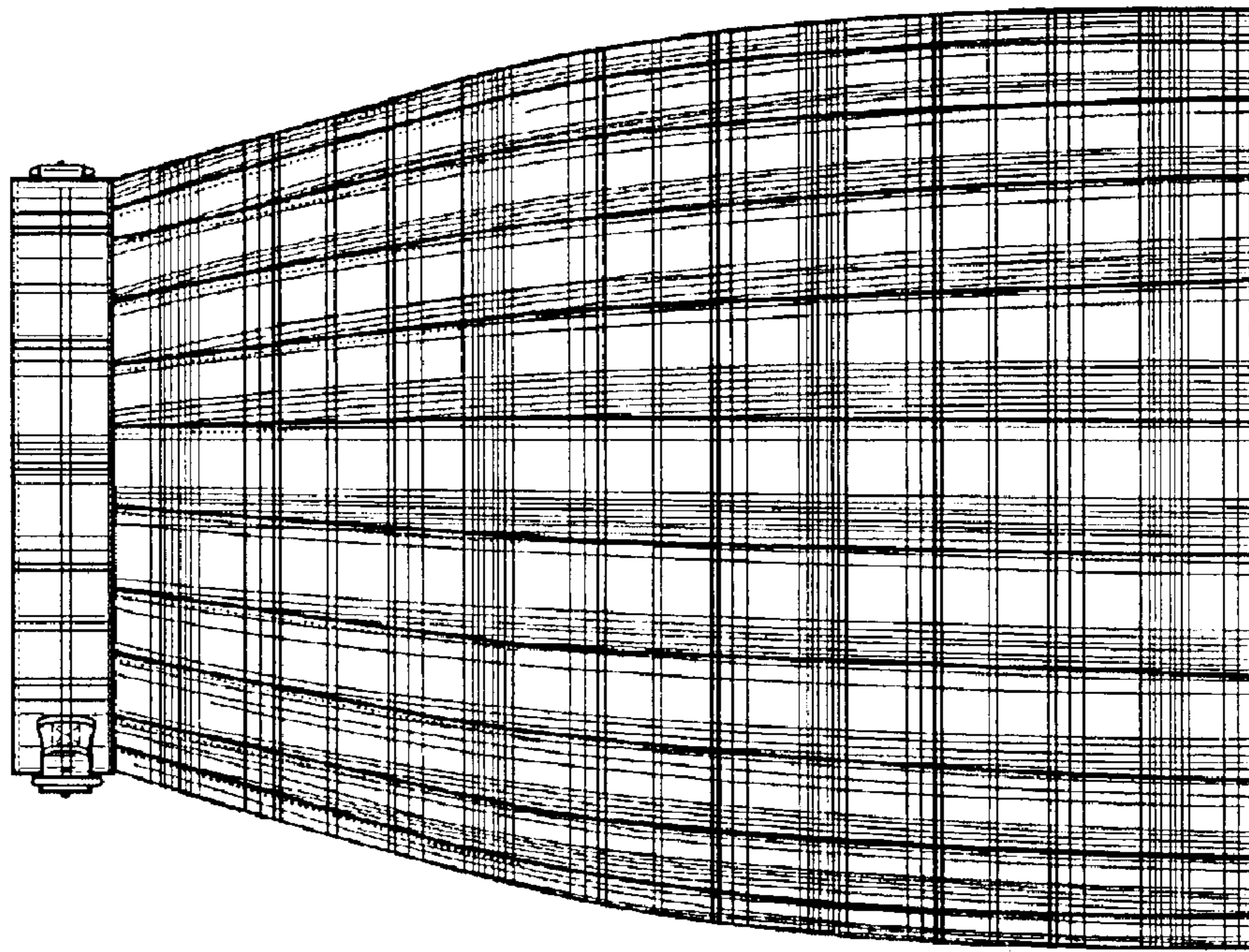


FIG. 15

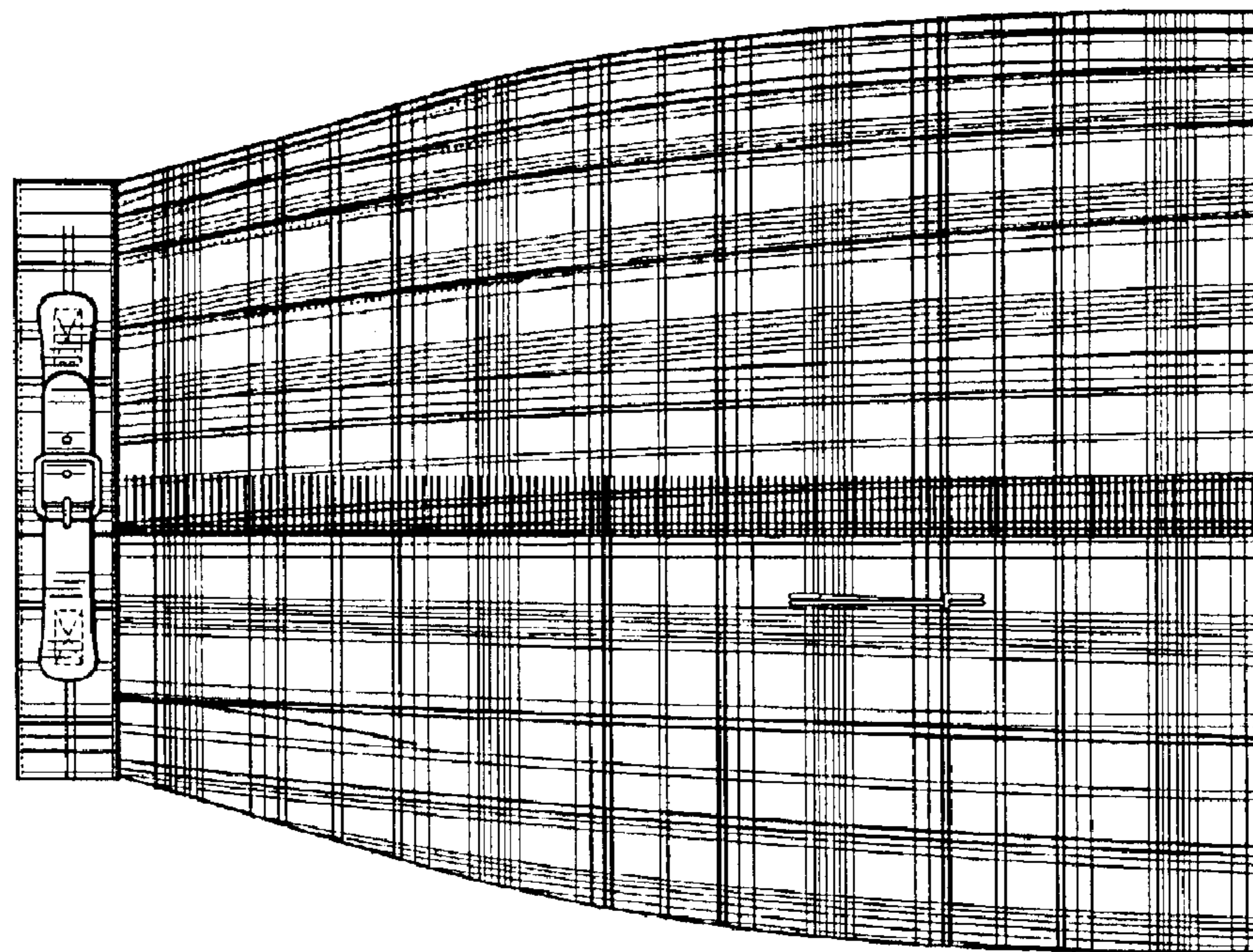


FIG. 14

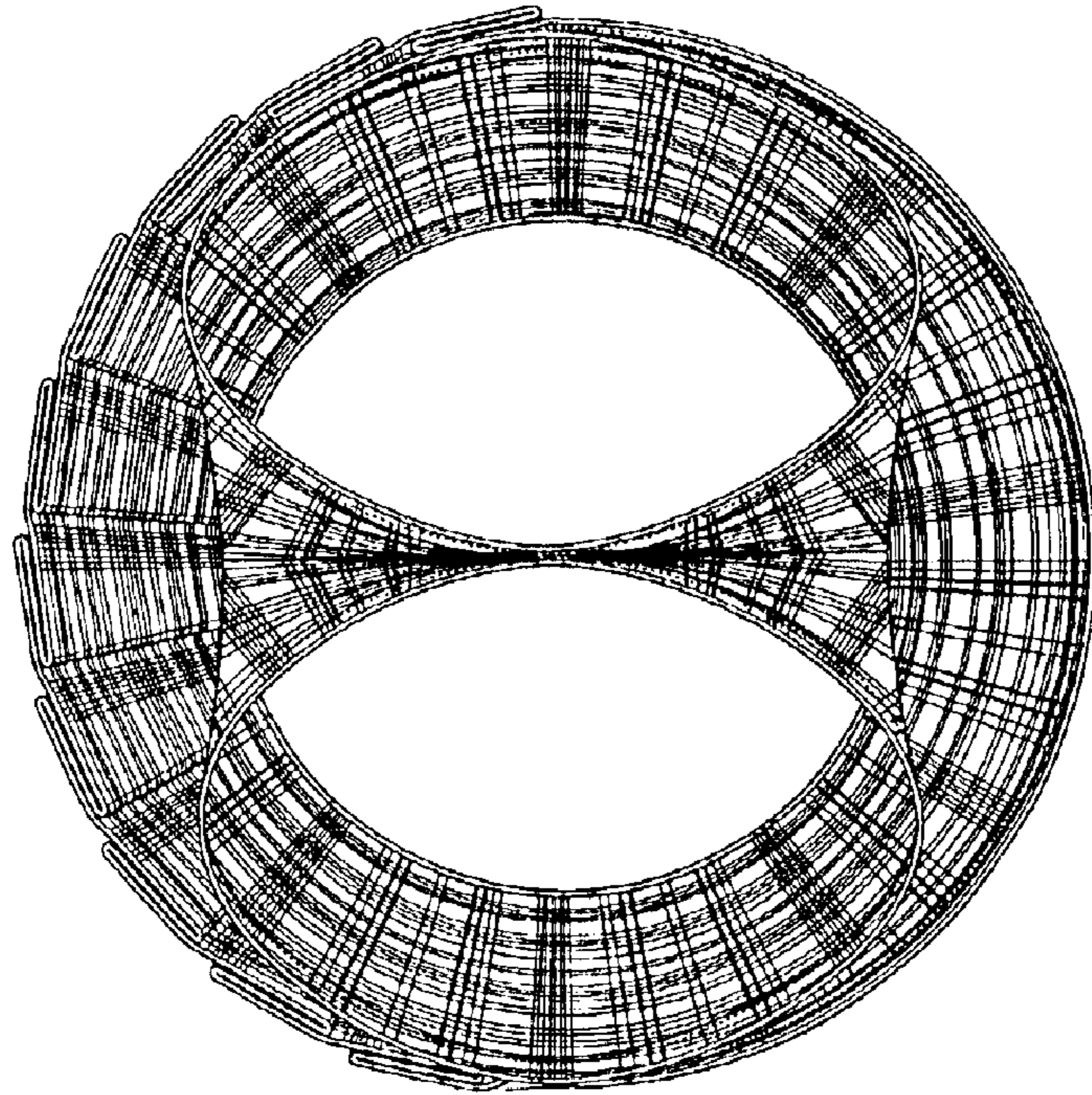


FIG. 17

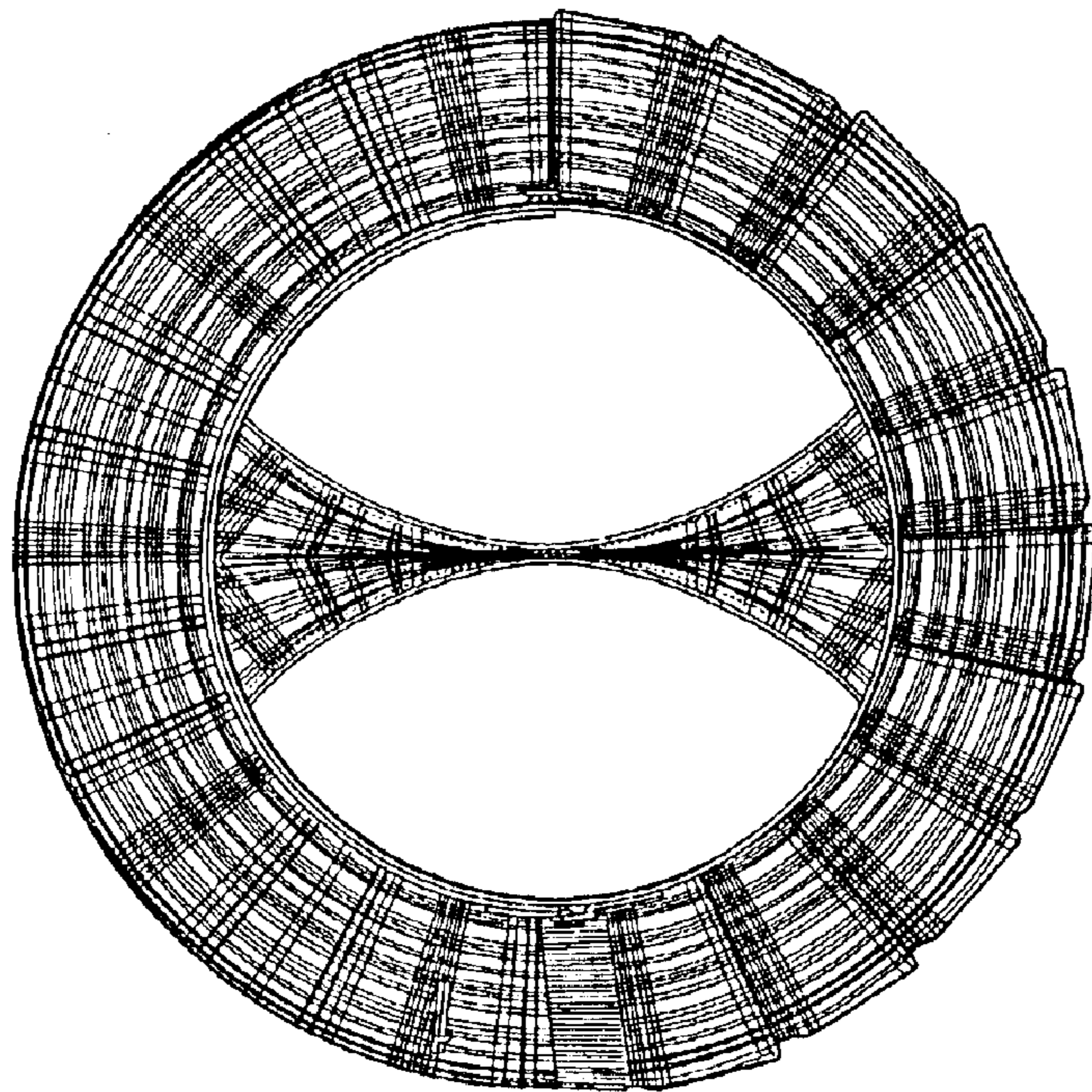


FIG. 16

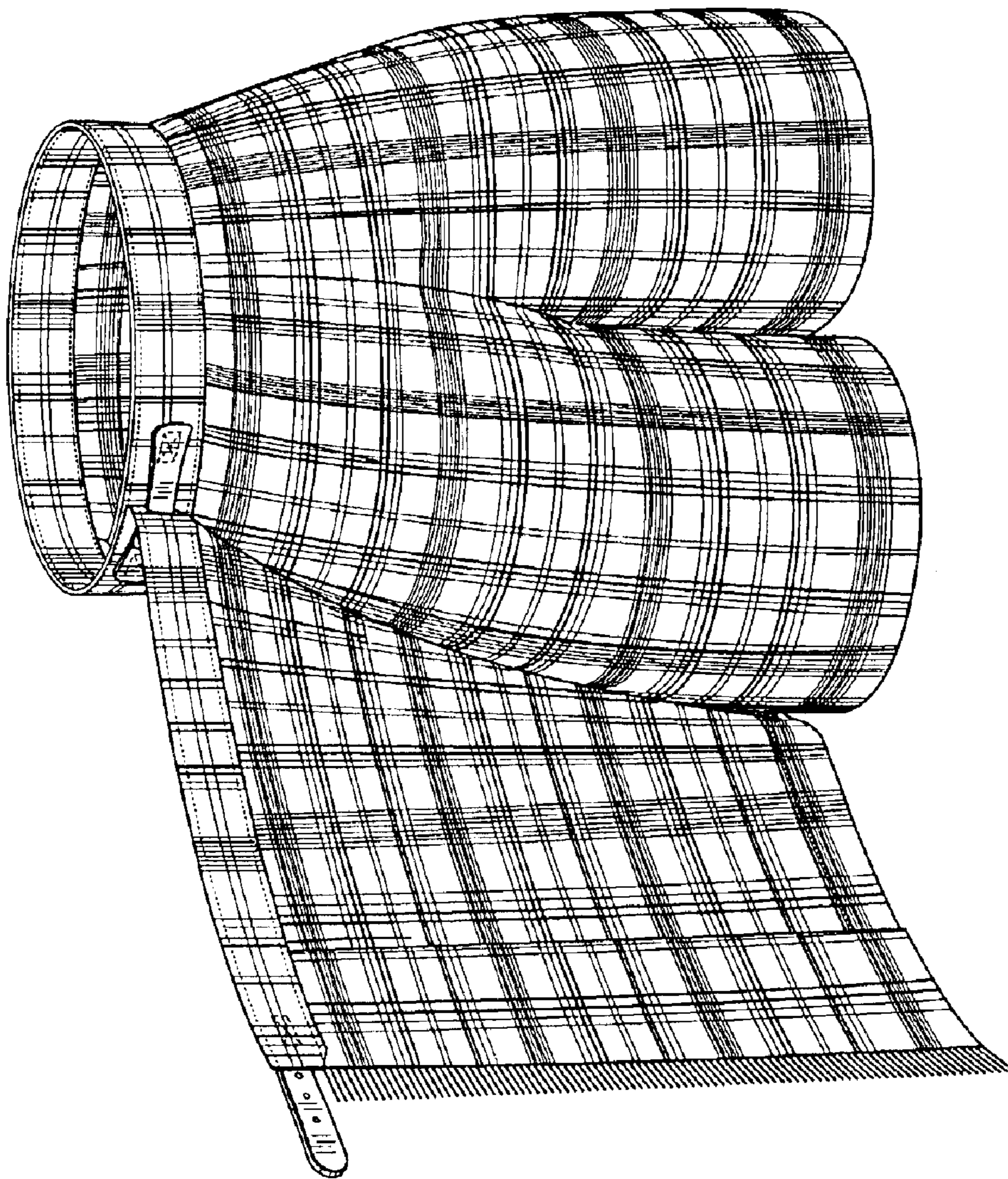


FIG. 18