

US00D503503S

(12) **United States Design Patent**
Perella et al.

(10) **Patent No.:** **US D503,503 S**
(45) **Date of Patent:** **** Mar. 29, 2005**

(54) **CASHBOX**

(75) Inventors: **Daniel Perella**, Hudson, OH (US);
Anthony Decarlo, Bay Village, OH
(US); **Vincent Thomson**, Avon Lake,
OH (US)

(73) Assignee: **Ideastream Consumer Products LLC**,
Parma, OH (US)

(**) Term: **14 Years**

(21) Appl. No.: **29/208,482**

(22) Filed: **Jun. 30, 2004**

Related U.S. Application Data

(62) Division of application No. 29/180,363, filed on Apr. 23,
2003, now Pat. No. Des. 493,936.

(51) **LOC (7) Cl.** **99-00**

(52) **U.S. Cl.** **D99/28**

(58) **Field of Search** D99/28, 34, 35,
D99/36, 43; D3/268, 272, 273, 276, 281,
905; 206/278, 305, 349; 119/72, 115; 232/4 R

(56) **References Cited**

U.S. PATENT DOCUMENTS

D129,108 S 8/1941 Sprague
D314,666 S 2/1991 Lanius
D393,526 S 4/1998 Robey et al.

5,755,180 A * 5/1998 Smith 119/72
D414,037 S 9/1999 Akaike et al.
D459,857 S * 7/2002 Stoneberg D99/28
D493,936 S * 8/2004 Perella et al. D99/28
D498,049 S * 11/2004 Perella et al. D3/273

* cited by examiner

Primary Examiner—Paula A. Greene

(74) *Attorney, Agent, or Firm*—Pillsbury Winthrop LLP

(57) **CLAIM**

The ornamental design for a cashbox, as shown and
described.

DESCRIPTION

A portion of the disclosure of this patent document contains
material to which a claim for copyright is made. The
copyright owner has no objection to the facsimile reproduc-
tion of the patent document or the patent disclosure, as it
appears in the Patent and Trademark Office patent file or
records, but reserves all other copyrights whatsoever.

FIG. 1 is a perspective view of a cashbox embodying one
aspect of our new design;

FIG. 2 is a front elevational view of the cashbox of FIG. 1;

FIG. 3 is a rear elevational view of the cashbox of FIG. 1;

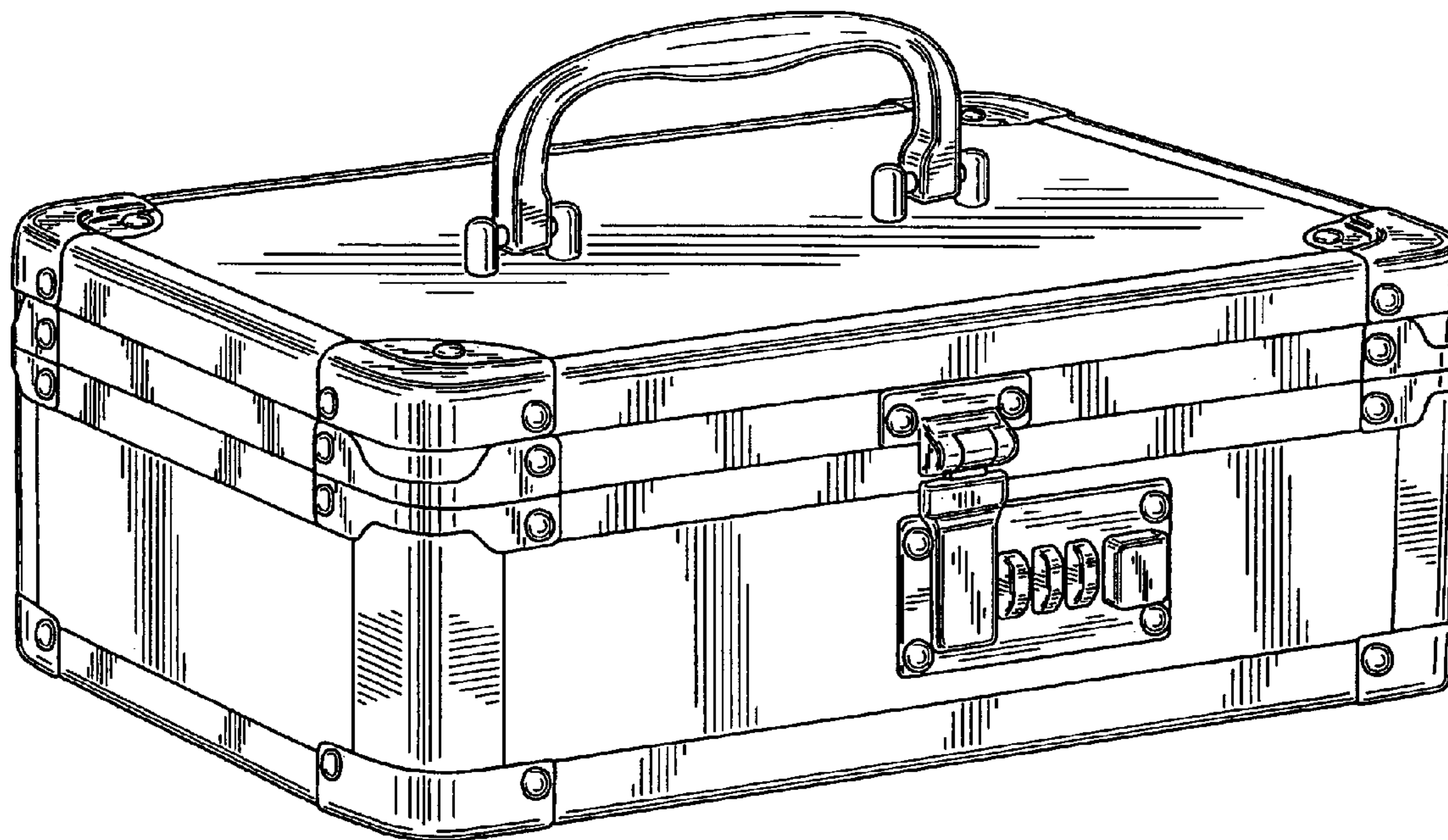
FIG. 4 is a left side profile view of the cashbox of FIG. 1;

FIG. 5 is a right side profile view of the cashbox of FIG. 1;

and,

FIG. 6 is a top plan view of the cashbox of FIG. 1.

1 Claim, 6 Drawing Sheets



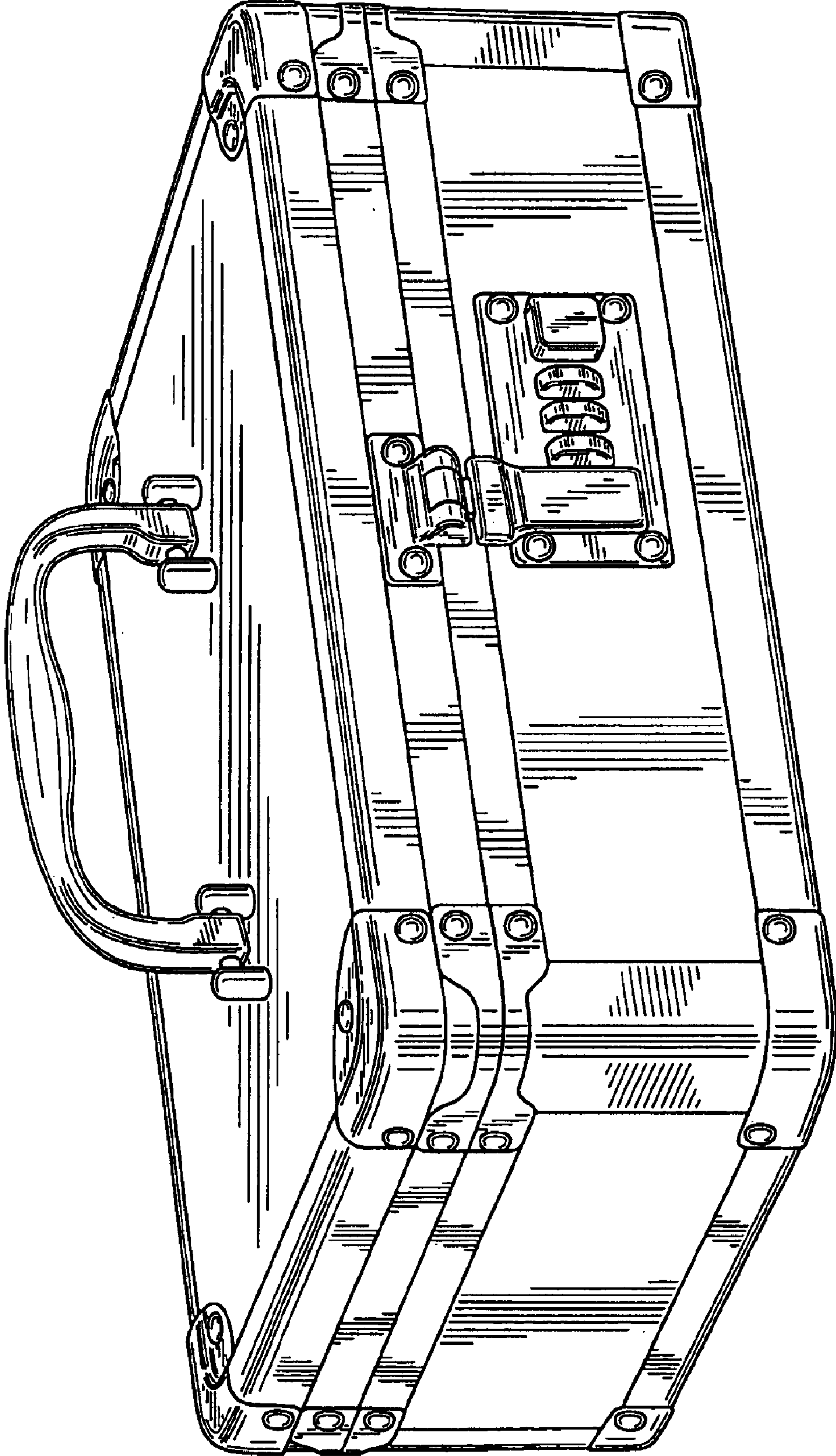


FIG. 1

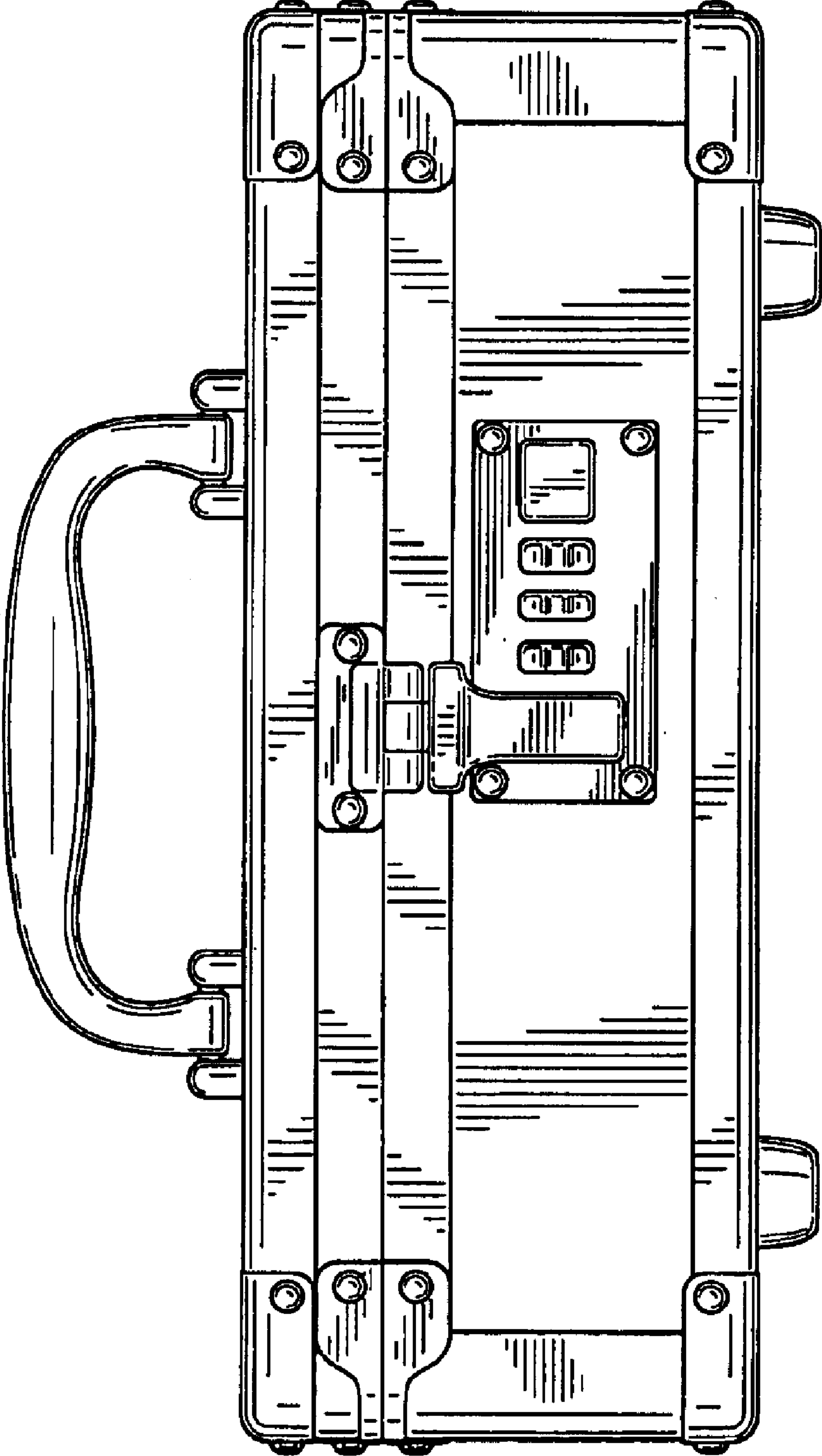


FIG. 2

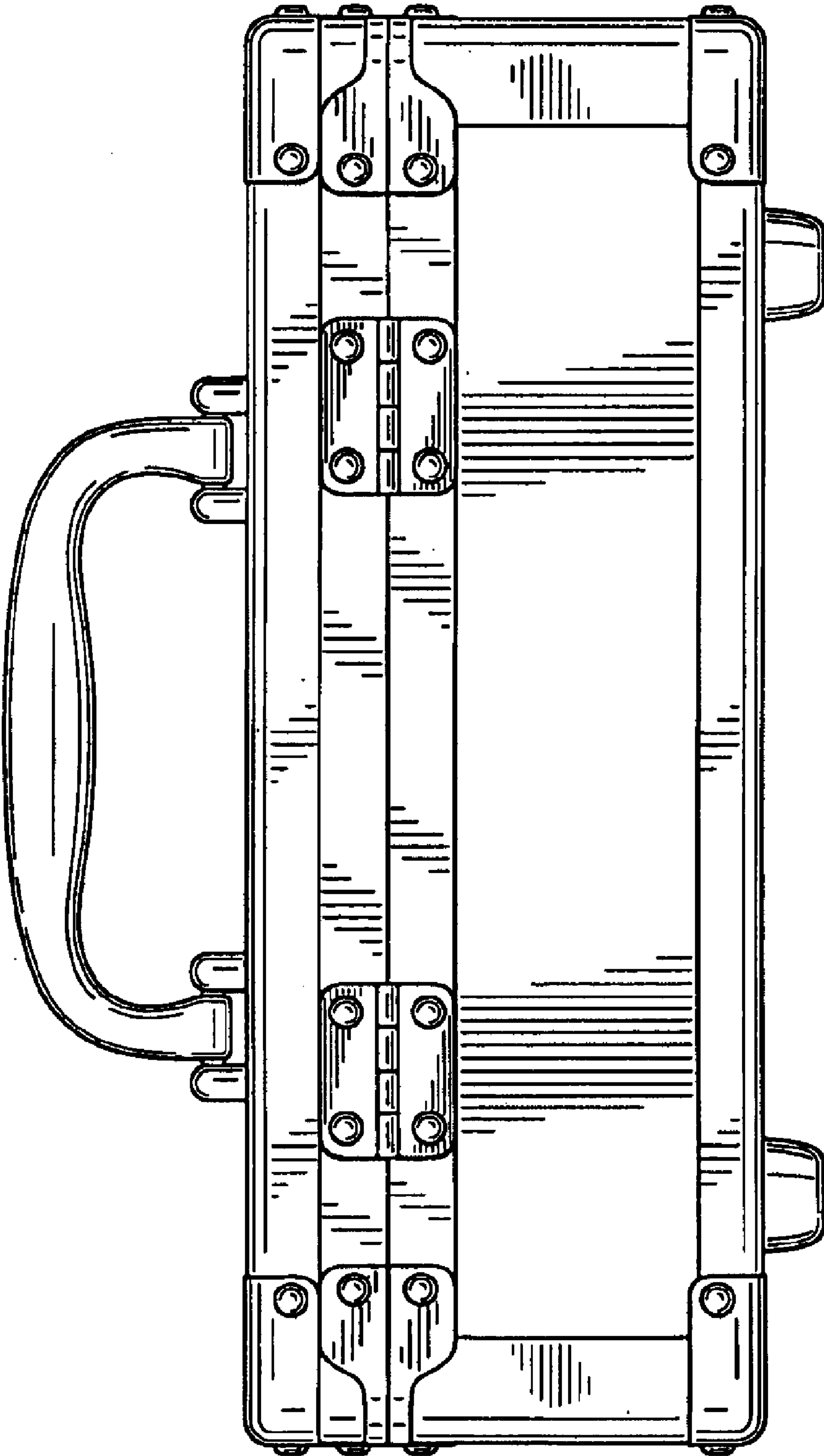


FIG. 3

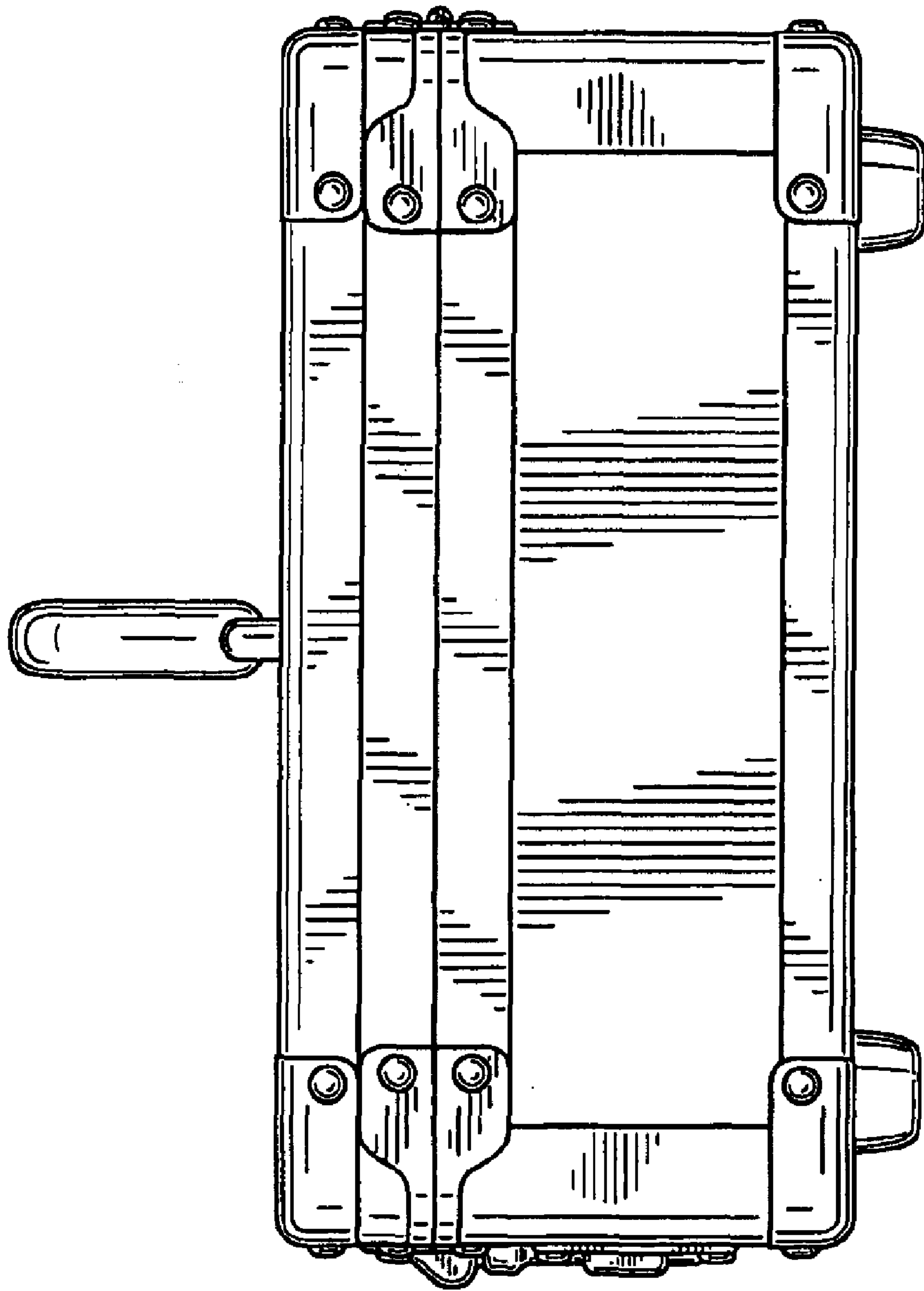


FIG. 4

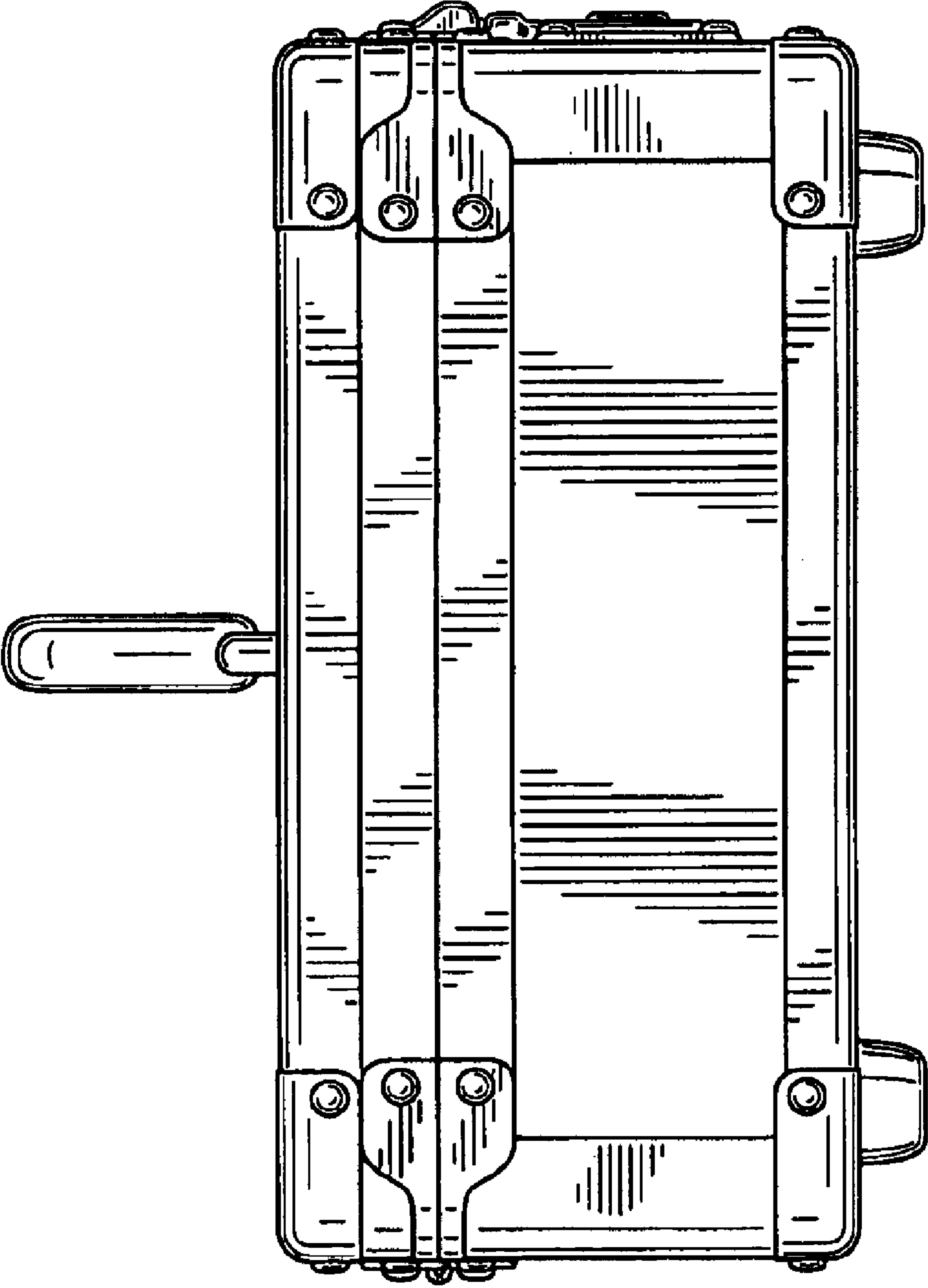


FIG. 5

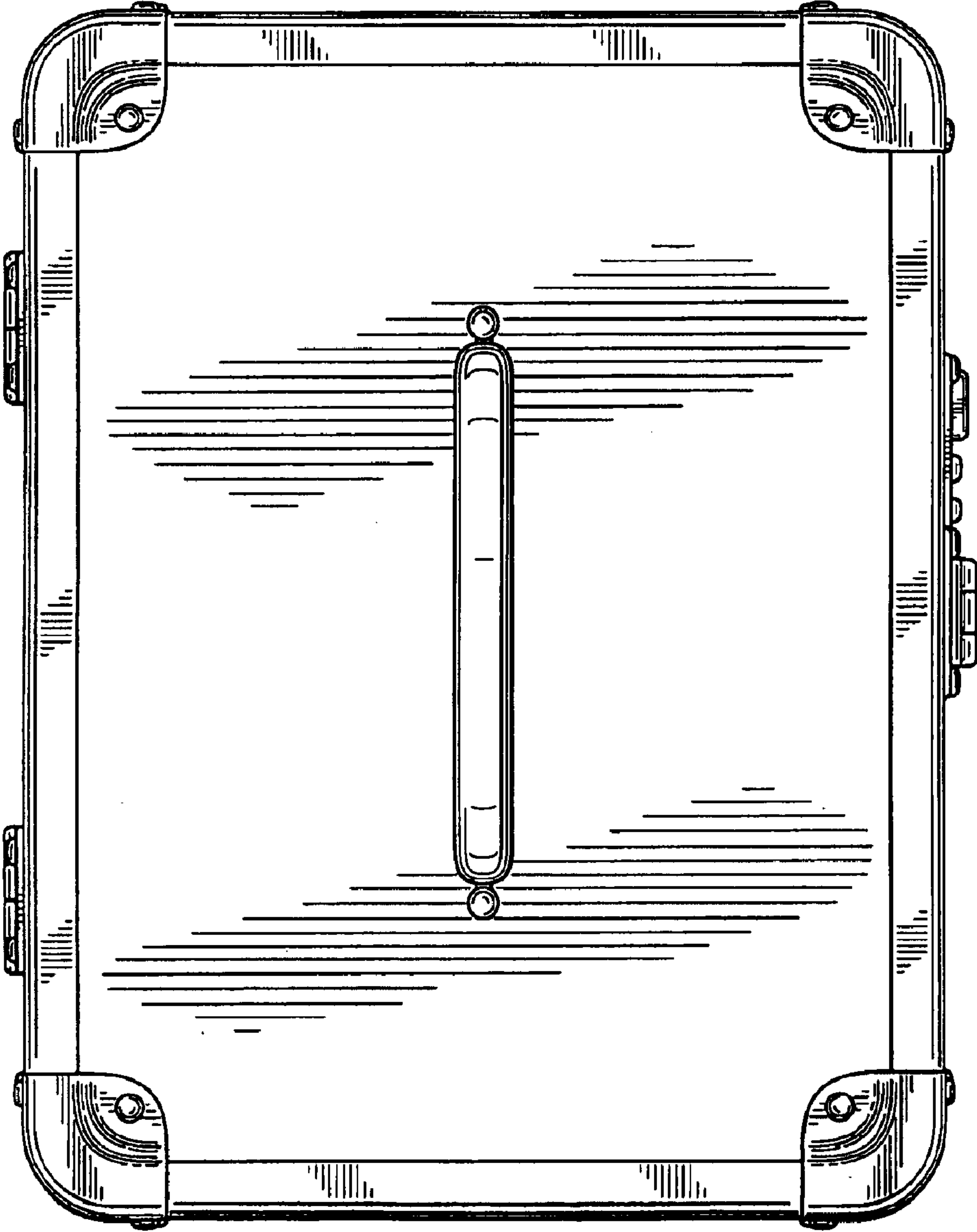


FIG. 6