

US00D503499S

(12) **United States Design Patent**
Howard et al.

(10) **Patent No.: US D503,499 S**
(45) **Date of Patent: ** Mar. 29, 2005**

(54) **PROTECTIVE FACE SHIELD SUPPORT**

(75) Inventors: **Jeremy Conrad Howard**, Little Compton, RI (US); **Richard W. Canavan**, Woodstock, CT (US); **Luke William Michas**, Westerly, RI (US); **Raymond Curci**, Smithfield, RI (US); **Laurent Froissard**, Cranston, RI (US)

(73) Assignee: **Bacou-Dalloz Eye & Face Protection, Inc.**, Smithfield, RI (US)

(**) Term: **14 Years**

(21) Appl. No.: **29/189,793**

(22) Filed: **Sep. 10, 2003**

(51) **LOC (7) Cl. 29-02**

(52) **U.S. Cl. D29/122**

(58) **Field of Search** D29/102-110, D29/112, 122; 2/6.1, 6.3-6.7, 8-11, 411-412, 414, 416-418, 423-425, 432, 209, 174, 183, 427-430; D28/9; 128/201.24, 201.15, 201.23, 857; D24/110.2, 110.3, 231; D26/39

(56) **References Cited**

U.S. PATENT DOCUMENTS

- 3,075,201 A * 1/1963 Lindblom 2/8
- 3,789,428 A * 2/1974 Martin
- D266,192 S * 9/1982 Feinbloom et al. D26/39
- 4,888,831 A 12/1989 Oleson
- D306,363 S * 2/1990 Stackhouse et al. D29/110
- 5,054,479 A * 10/1991 Yelland et al. 128/201.25

- 5,077,836 A 1/1992 Idoff et al.
- 5,571,217 A * 11/1996 Del Bon et al. 2/9
- 5,793,449 A 8/1998 Lagerwall
- D398,403 S * 9/1998 Bishop et al. D24/231
- D406,371 S * 3/1999 Van Der Bel D26/39
- D441,111 S * 4/2001 Van Der Bel D26/39
- D441,886 S * 5/2001 Beck D26/39
- 6,317,895 B1 11/2001 Erth et al.
- 6,352,383 B1 * 3/2002 Ristola 403/254
- D458,713 S * 6/2002 Cheng D29/110

* cited by examiner

Primary Examiner—Ruth McInroy

(74) *Attorney, Agent, or Firm*—Salter & Michaelson

(57) **CLAIM**

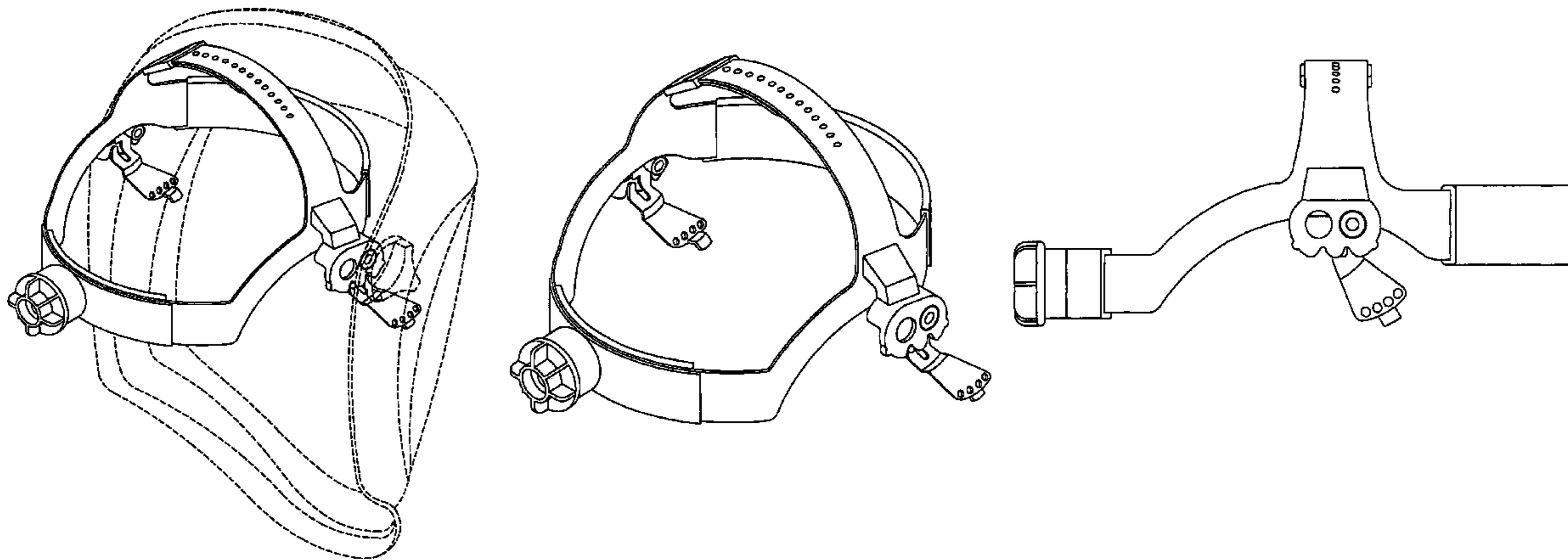
The ornamental design for a protective face shield support, as shown and described.

DESCRIPTION

FIG. 1 is a perspective view of a protective face shield support showing our new design;
 FIG. 2 is an alternate perspective view without the face shield;
 FIG. 3 is a front elevational view thereof;
 FIG. 4 is a rear elevational view thereof;
 FIG. 5 is a right side elevational view thereof;
 FIG. 6 is a left side elevational view thereof;
 FIG. 7 is a top plan view thereof; and,
 FIG. 8 is a bottom plan view thereof.

The portions shown in broken lines are included for illustrative purposes only and form no part of the claimed design.

1 Claim, 8 Drawing Sheets



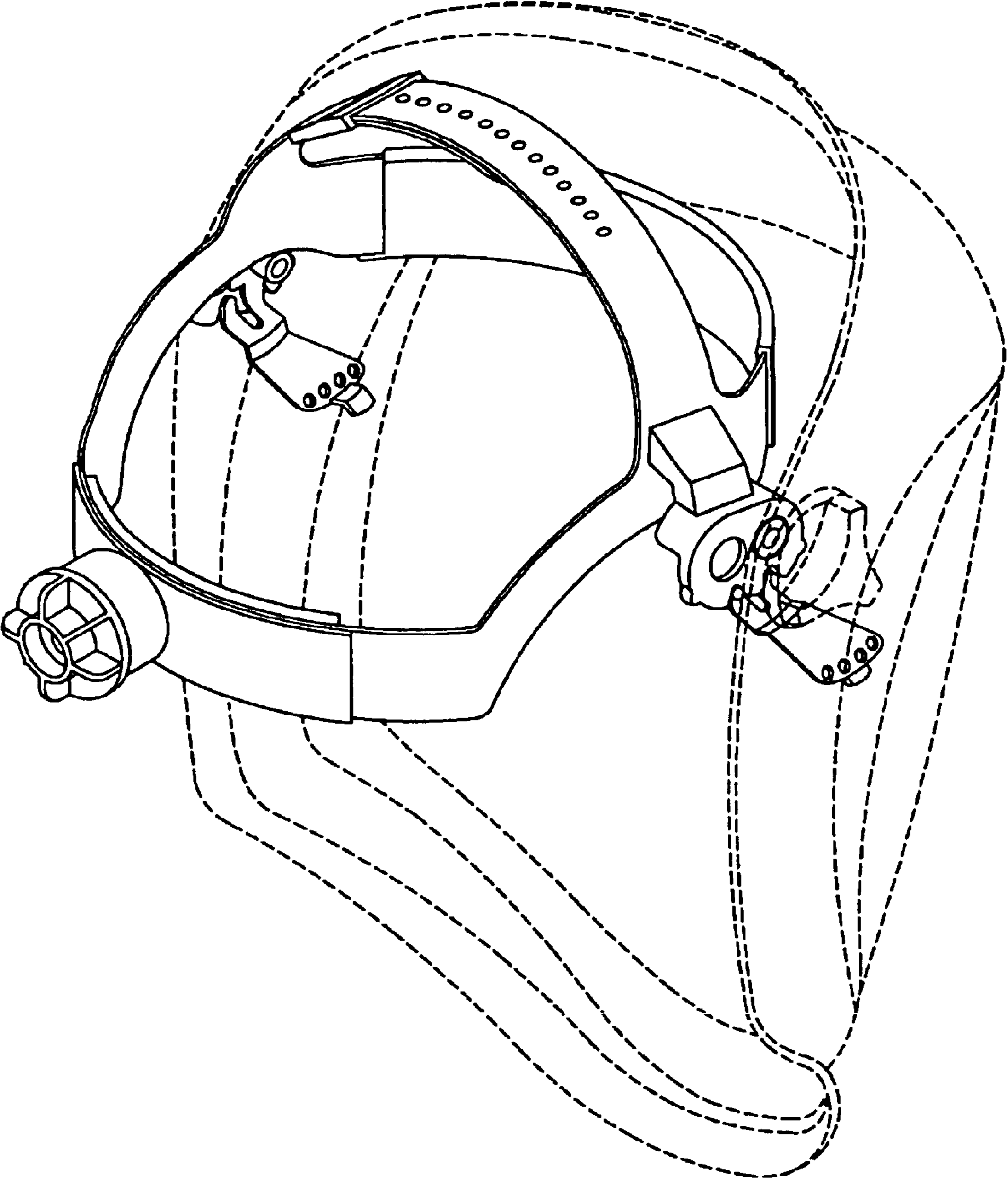


FIG. 1

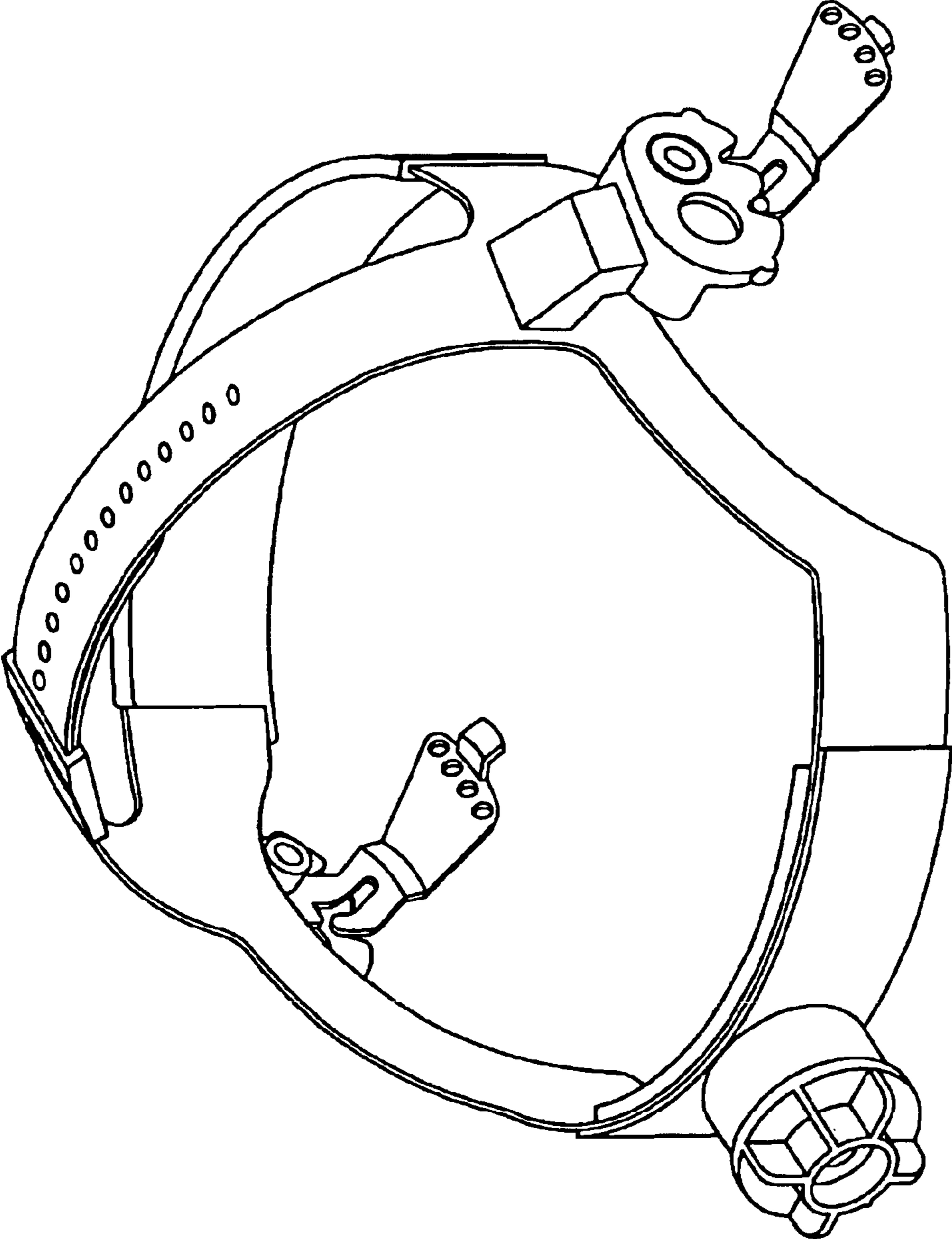


FIG. 2

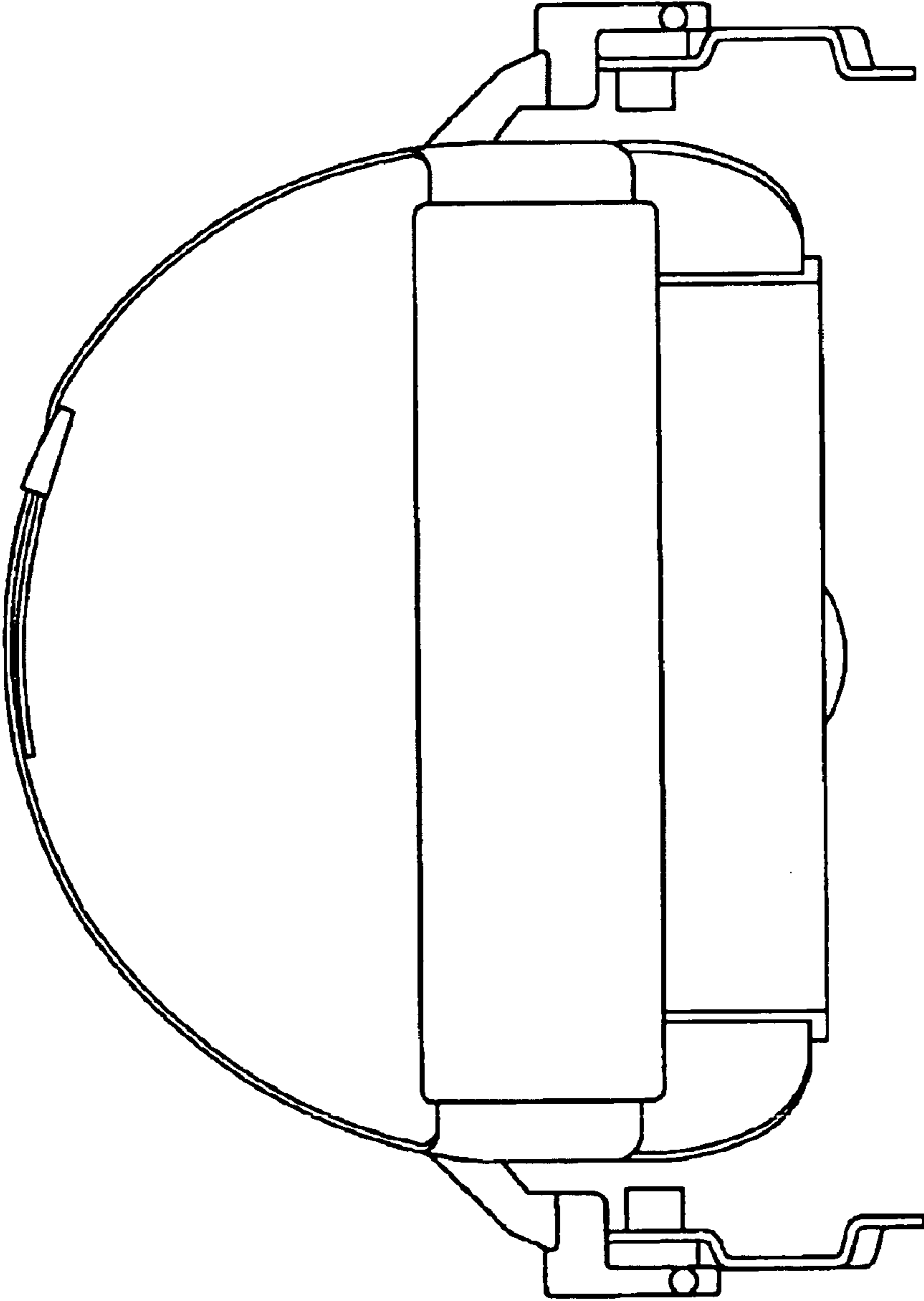


FIG. 3

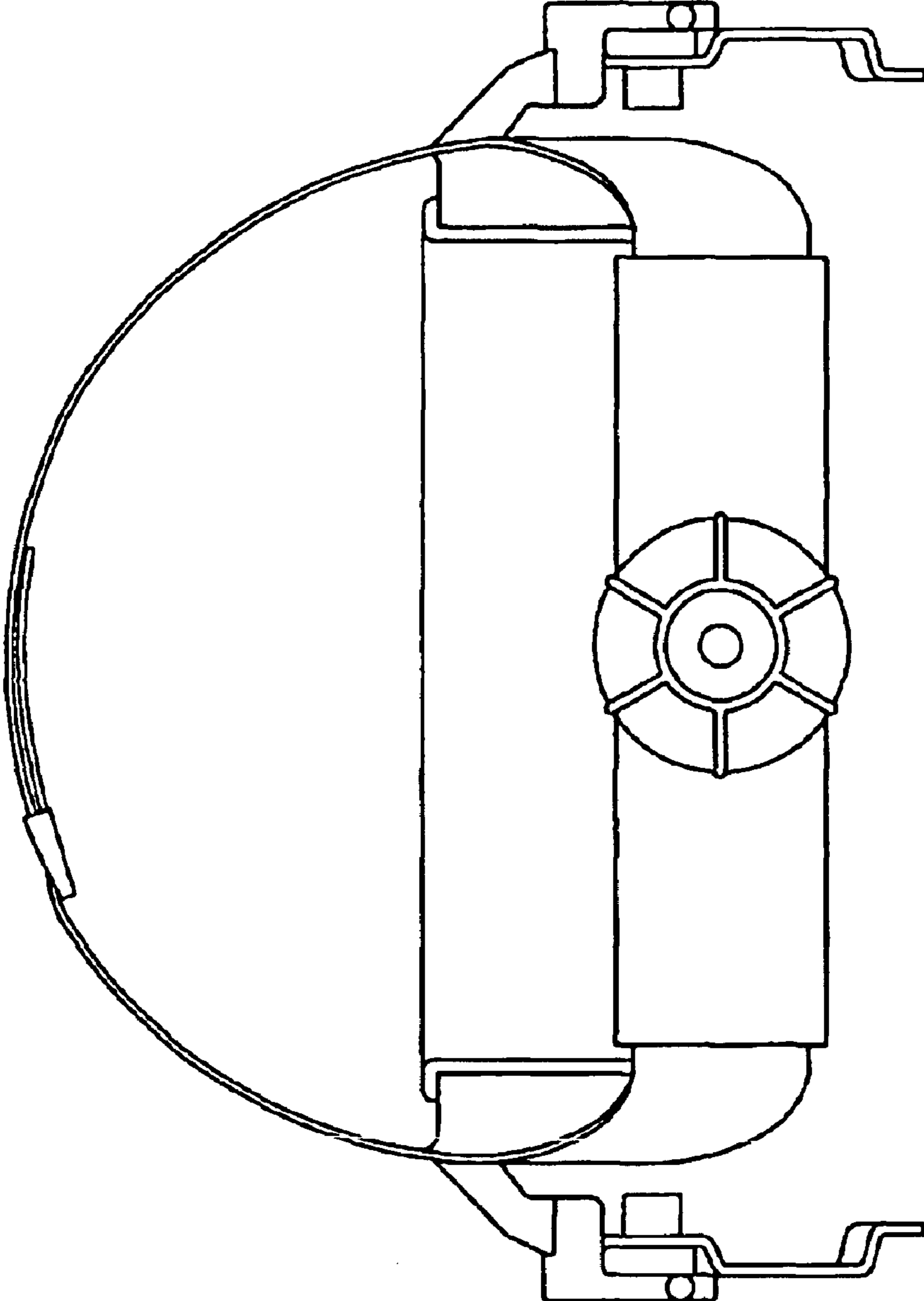


FIG. 4

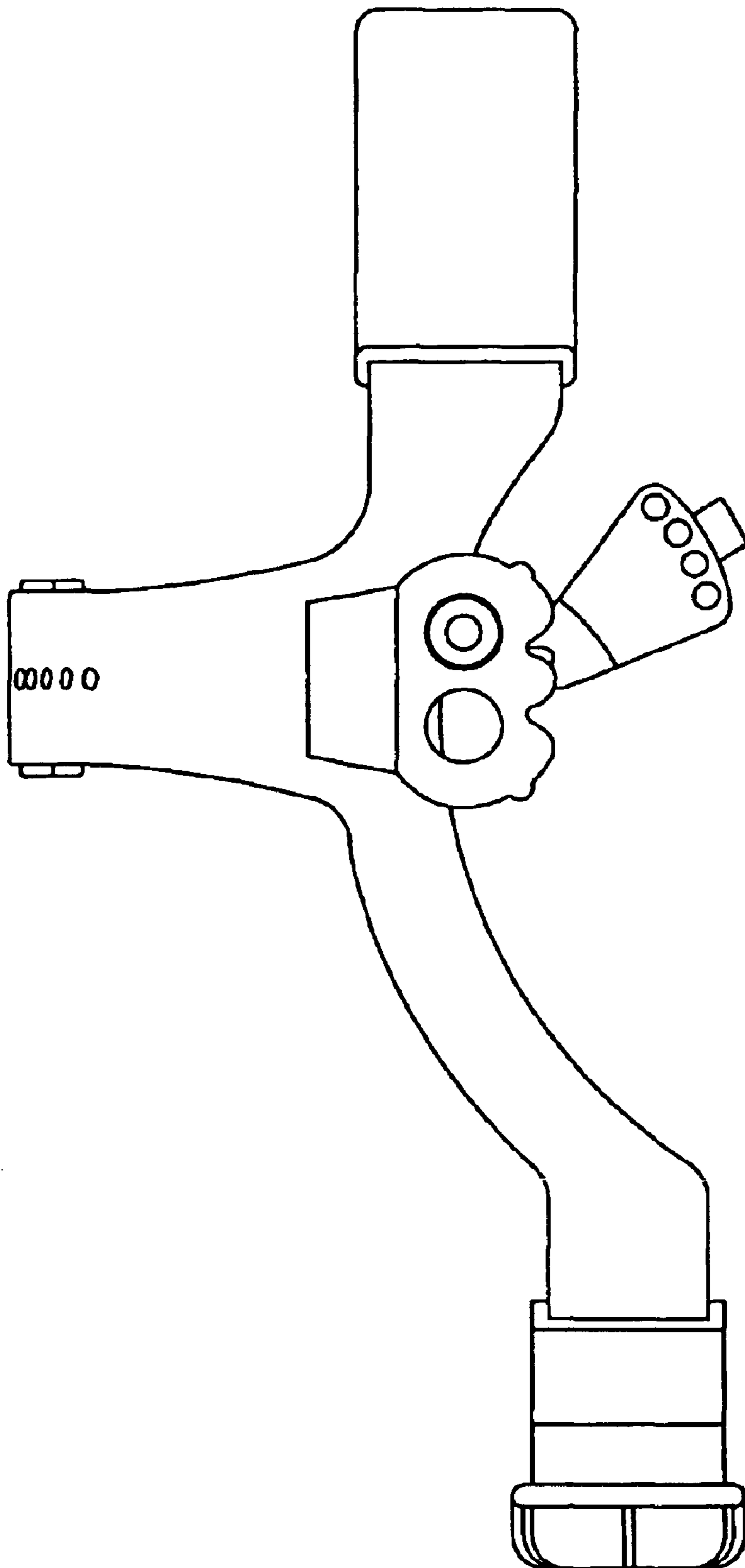


FIG. 5

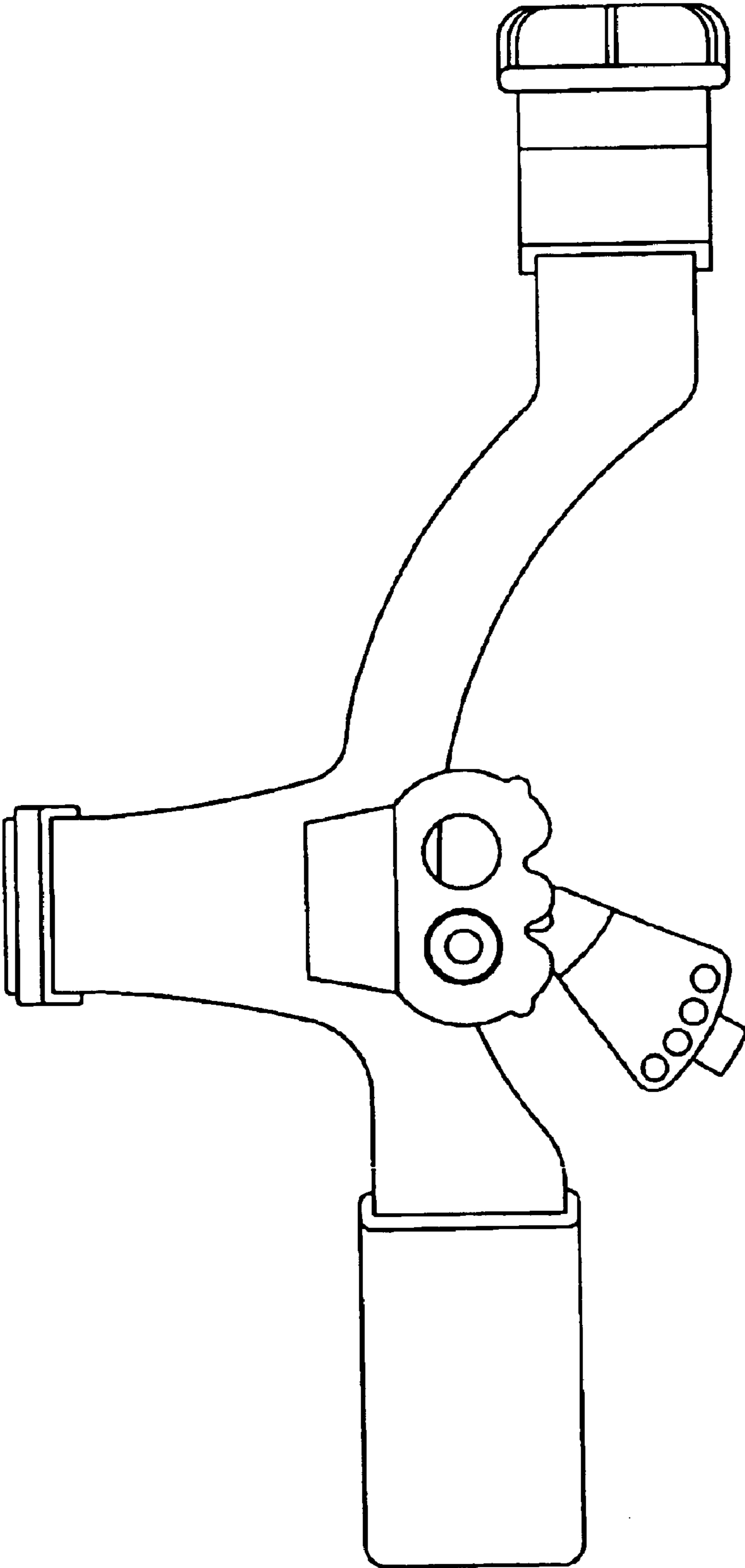


FIG. 6

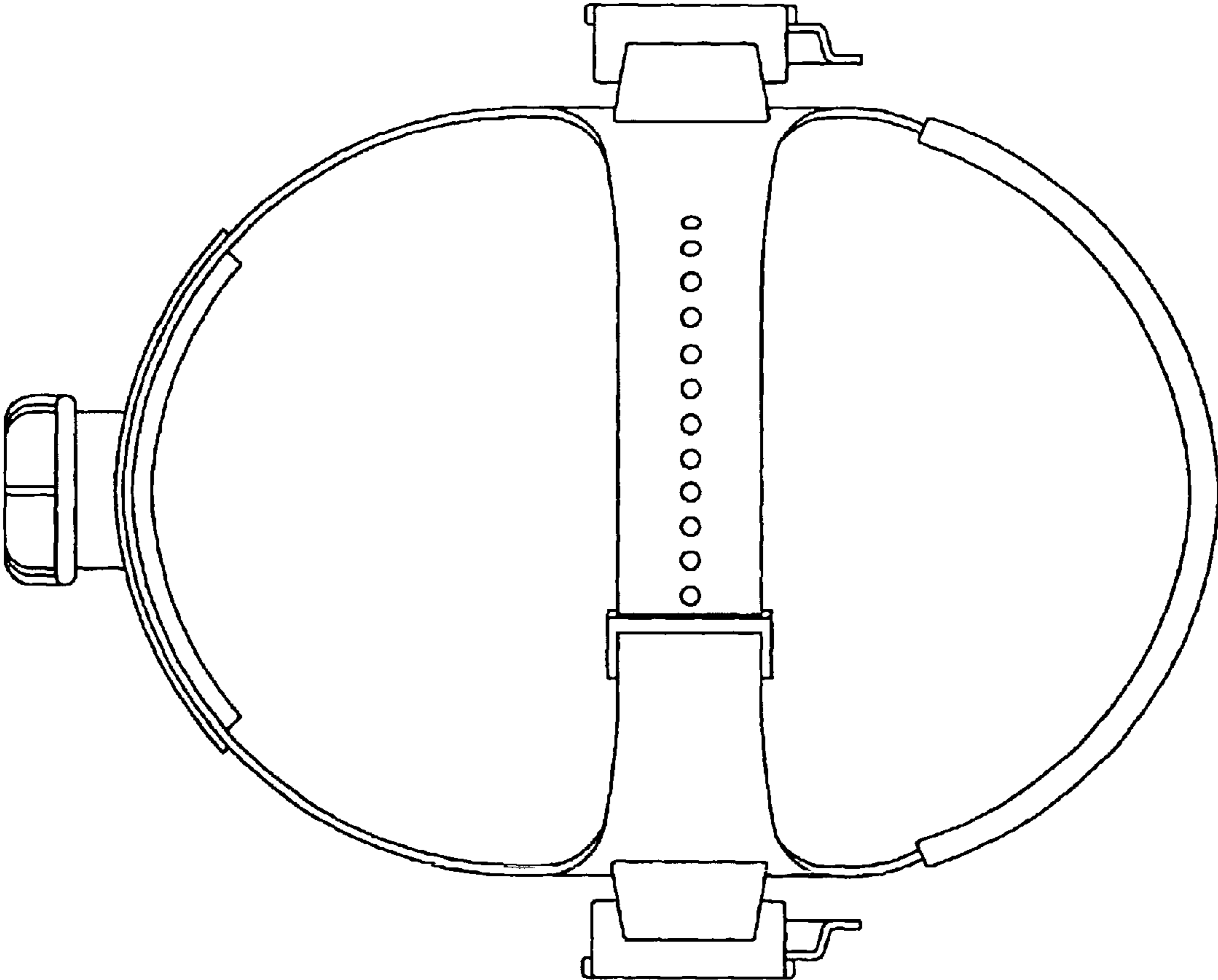


FIG. 7

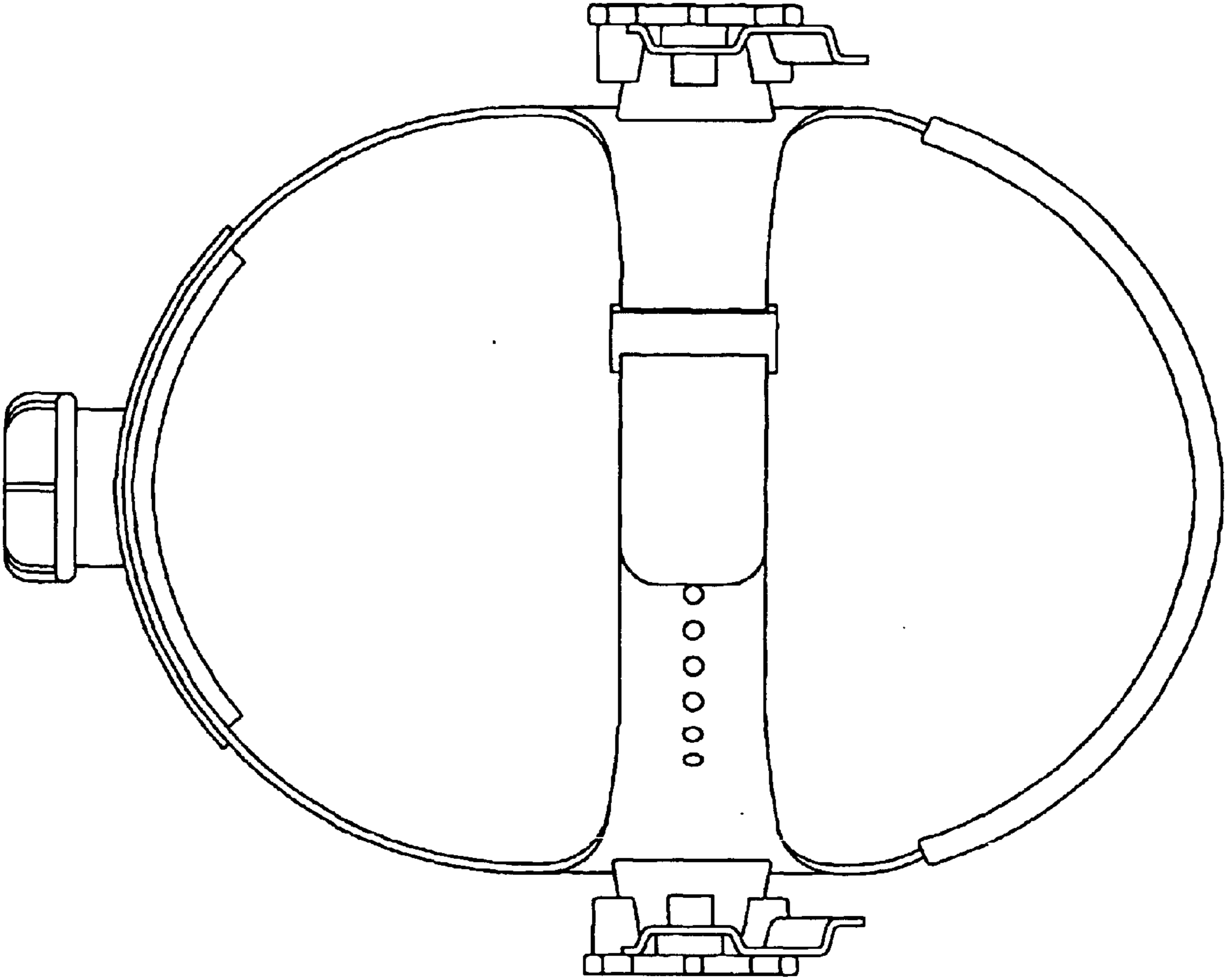


FIG. 8