

US00D503494S

(12) **United States Design Patent**  
**Yamashita**

(10) **Patent No.:** **US D503,494 S**  
(45) **Date of Patent:** **\*\* Mar. 29, 2005**

(54) **EYELASH CURLER**

6,230,715 B1 \* 5/2001 Cho ..... 132/216  
D450,156 S \* 11/2001 Watanabe et al. .... D28/36

(75) Inventor: **Shigeki Yamashita**, Gifu (JP)

\* cited by examiner

(73) Assignee: **Kai R&D Center Co., Ltd.**, Gifu (JP)

*Primary Examiner*—Jennifer Rivard

(\*\*) Term: **14 Years**

(74) *Attorney, Agent, or Firm*—Sughrue Mion, PLLC

(21) Appl. No.: **29/187,393**

(57) **CLAIM**

(22) Filed: **Aug. 1, 2003**

The ornamental design for an eyelash curler, as shown and described.

(30) **Foreign Application Priority Data**

**DESCRIPTION**

Feb. 24, 2003 (JP) ..... 2003-004376

(51) **LOC (7) Cl.** ..... **28-03**

(52) **U.S. Cl.** ..... **D28/36**

(58) **Field of Search** ..... D28/36; 132/216,  
132/217, 218; 219/225

FIG. 1 is a perspective view of the top, front and right side of an eyelash curler showing my new design;

FIG. 2 is a top plan view thereof;

FIG. 3 is a left side elevational view of the top portion of an eyelash curler, the right side being a mirror image thereof;

FIG. 4 is a front elevational view thereof;

FIG. 5 is a rear elevational view thereof; and,

FIG. 6 is a bottom plan view thereof.

The broken lines immediately adjacent the shaded areas represent the bounds of the claim and all other broken lines are for illustrative purposes only. None of the broken lines form a part of the claimed design.

(56) **References Cited**

**U.S. PATENT DOCUMENTS**

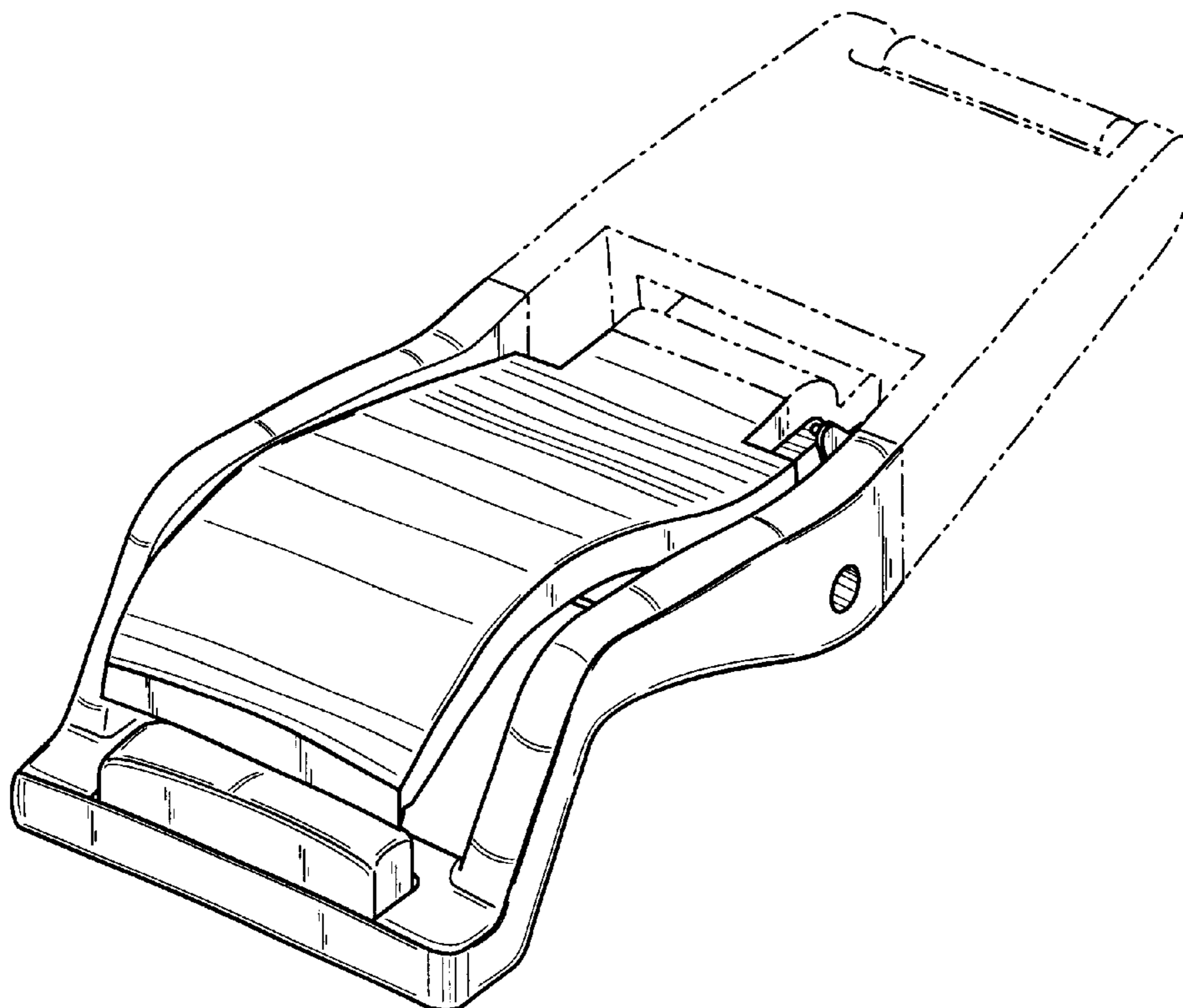
5,960,799 A \* 10/1999 Suh ..... 132/216

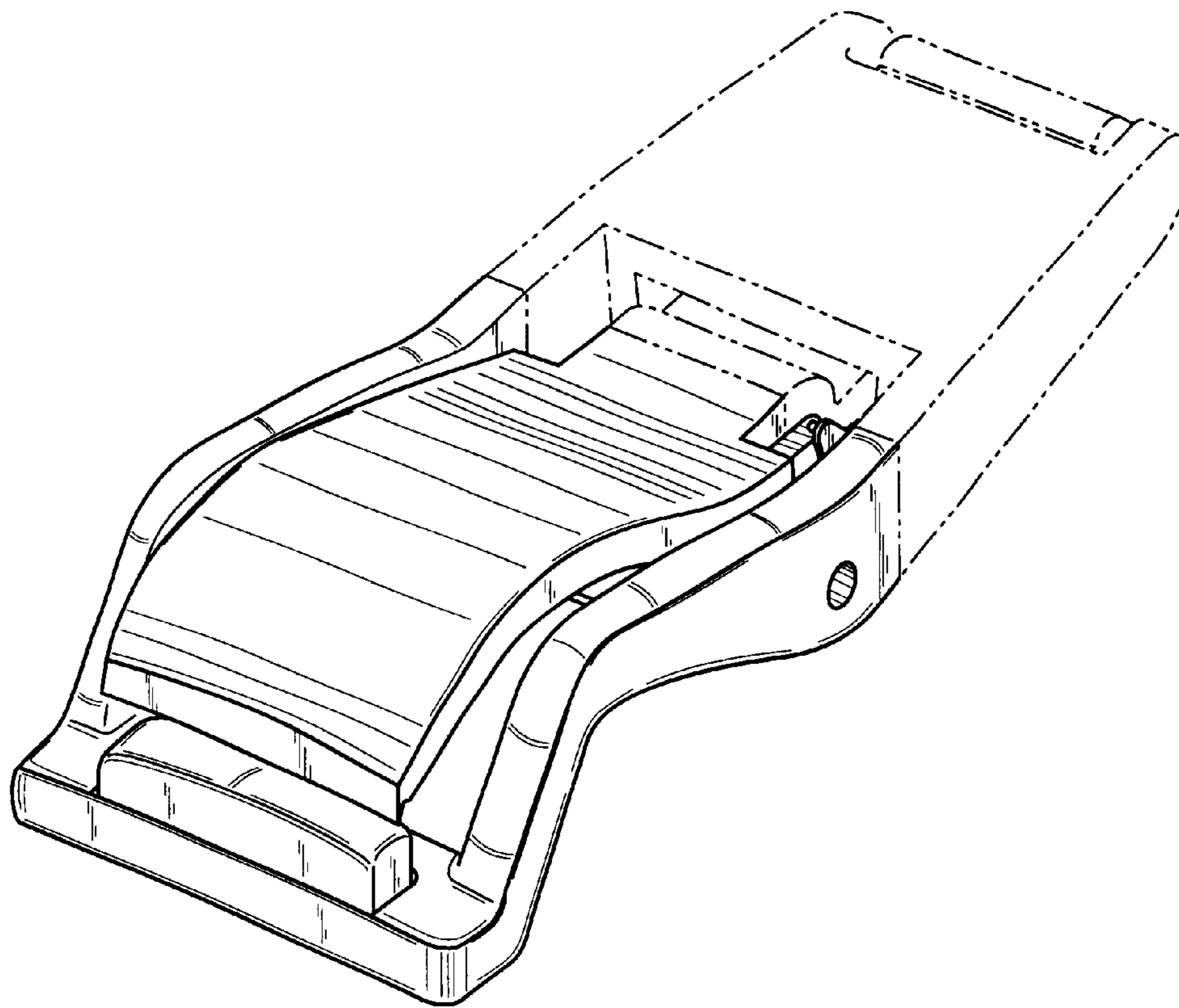
D431,678 S \* 10/2000 Suh ..... D28/36

D439,013 S \* 3/2001 Cho ..... D28/36

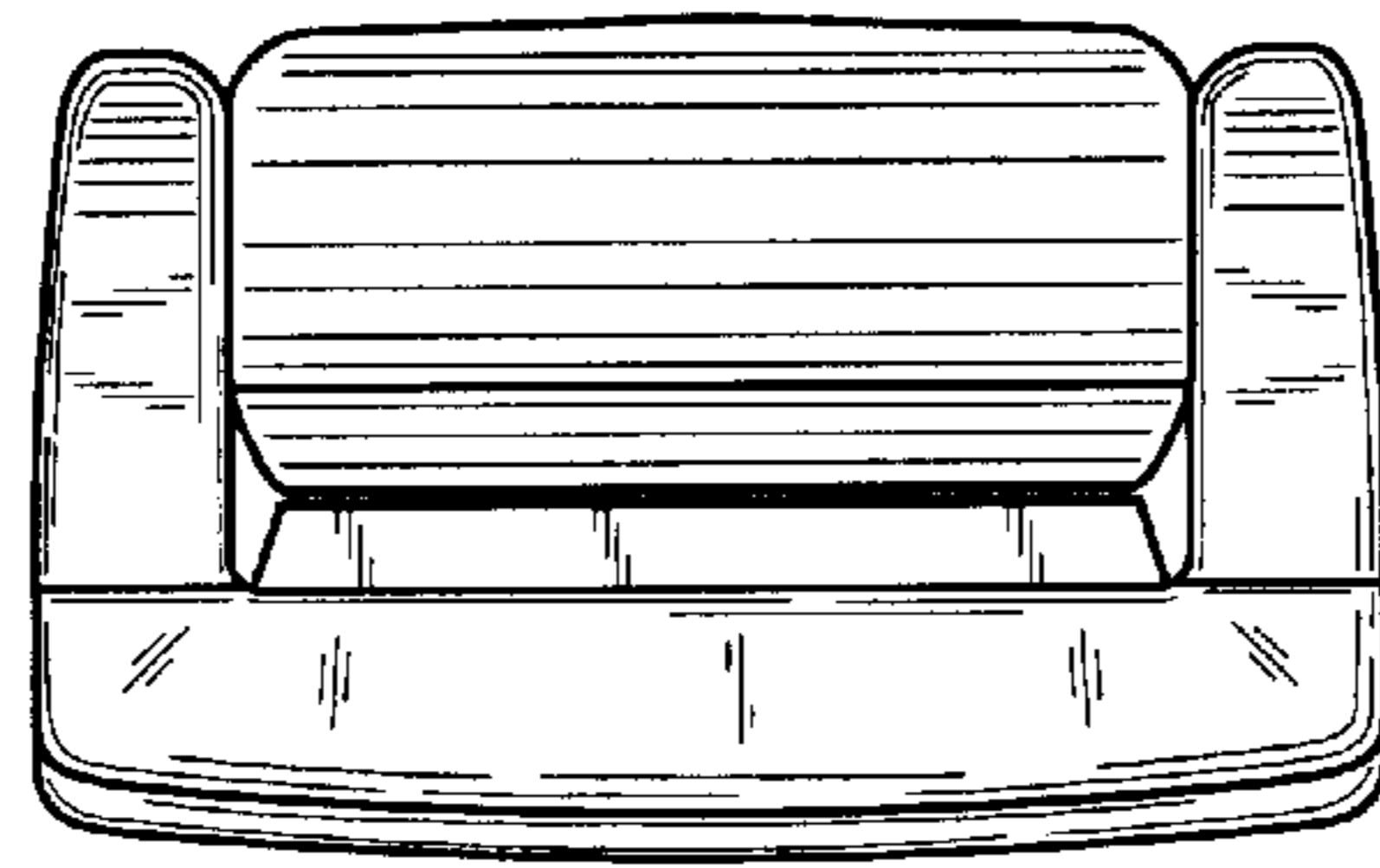
D443,110 S \* 5/2001 Watanabe et al. .... D28/36

**1 Claim, 5 Drawing Sheets**

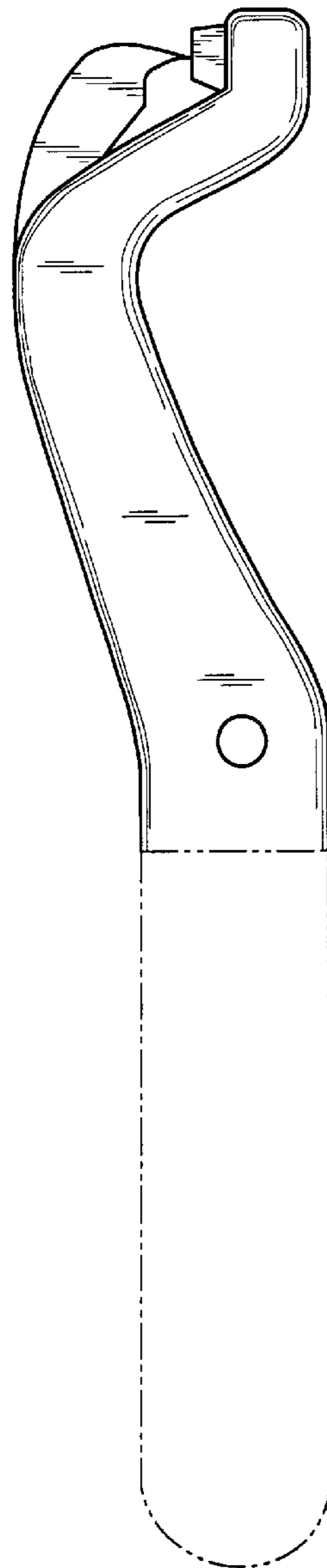




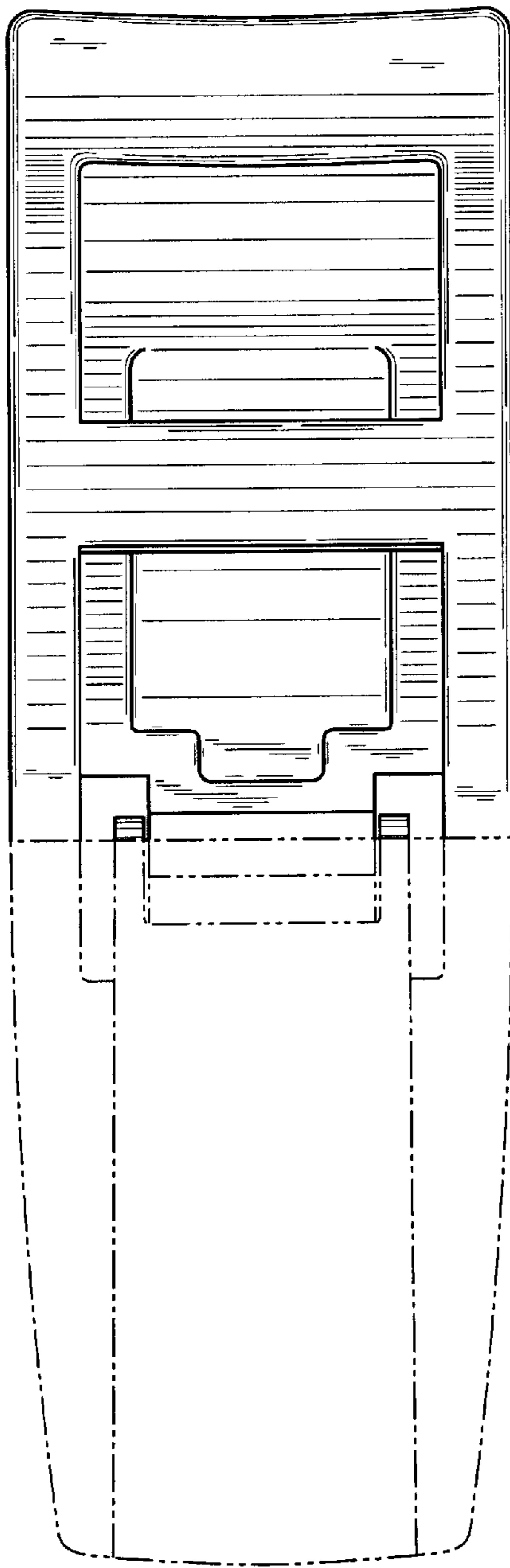
*Fig. 1*



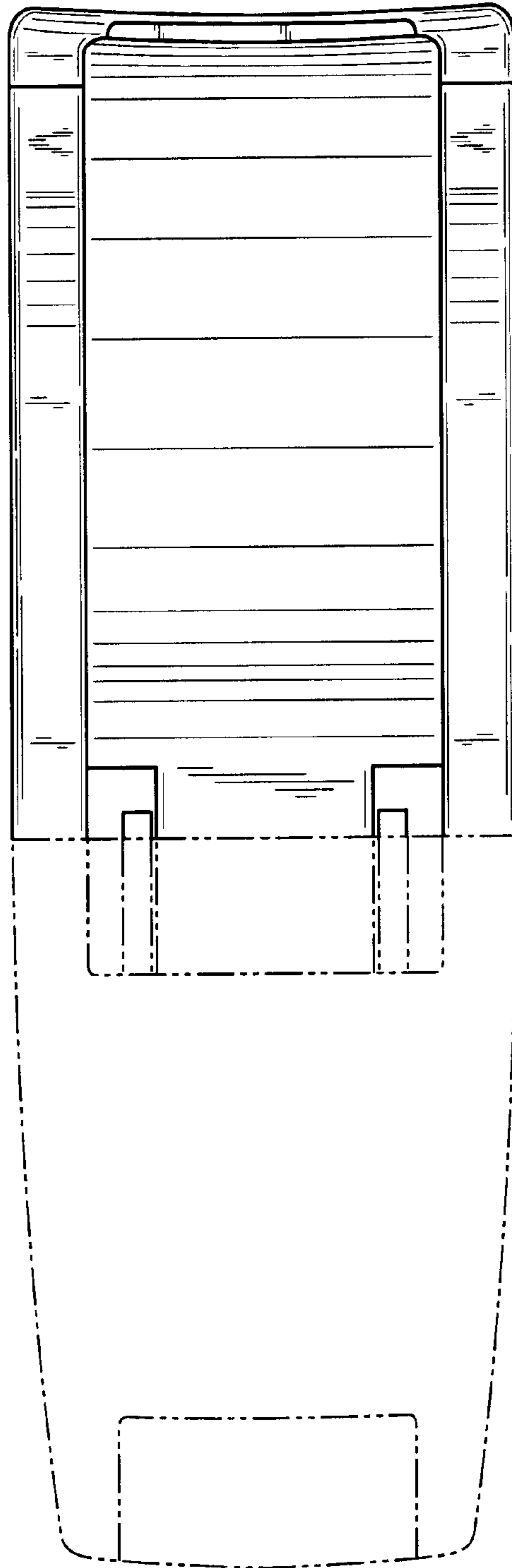
*Fig. 2*



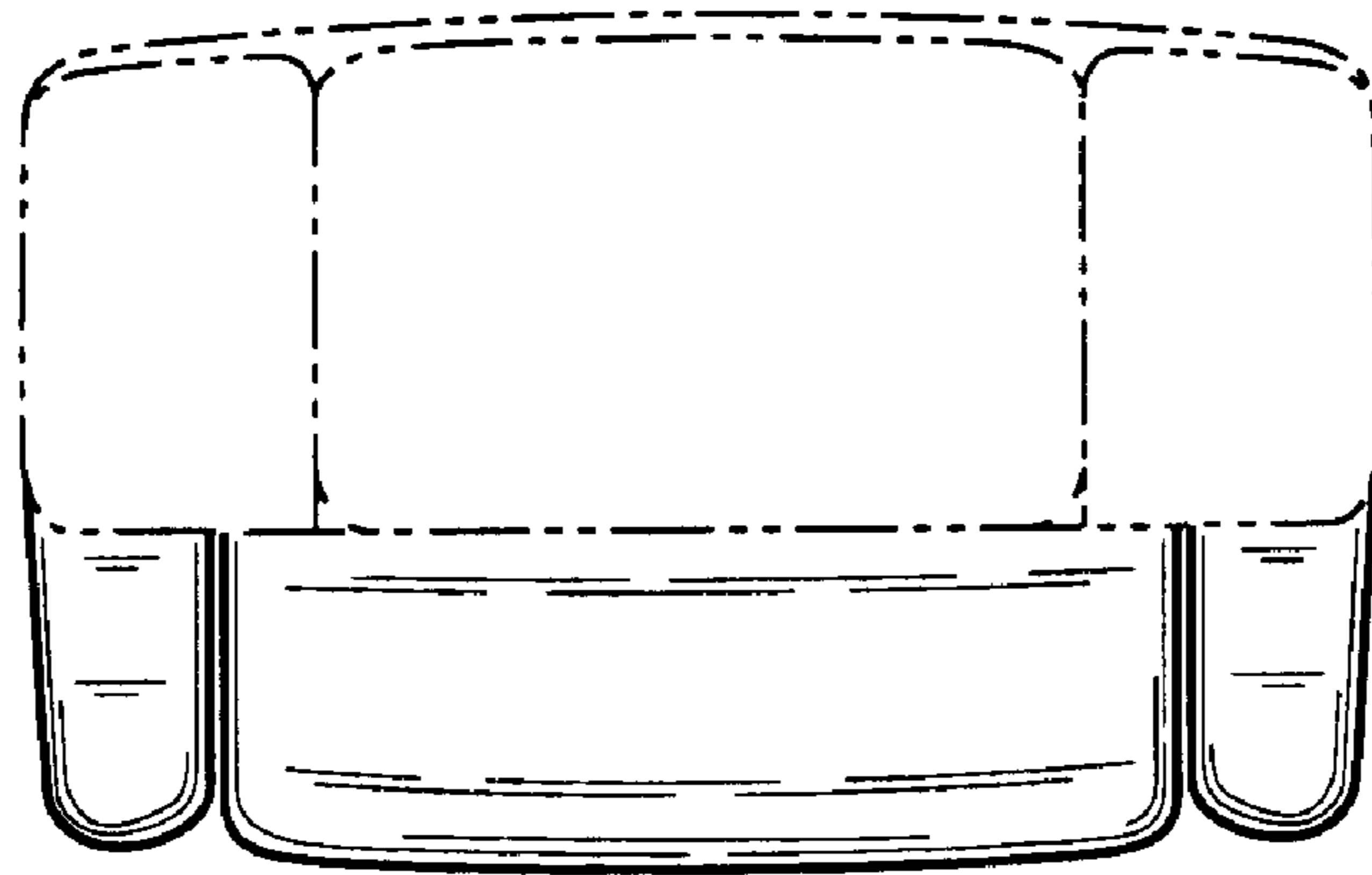
*Fig. 3*



*Fig. 4*



*Fig. 5*



*Fig. 6*