

US00D503485S

(12) **United States Design Patent**
Willman et al.

(10) **Patent No.:** **US D503,485 S**
(45) **Date of Patent:** **** Mar. 29, 2005**

(54) **WINDOW SASH FRAME EXTRUSION**

D379,527 S * 5/1997 DiGiorgio D25/124
D467,013 S 12/2002 Ballard et al.
D471,994 S 3/2003 Chaney et al.

(75) Inventors: **Todd A. Willman**, Germantown, OH (US); **Roger D. Brooks**, Springboro, OH (US); **Philip G. Morton**, Germantown, OH (US); **Jonathan C. Hauberg**, Centerville, OH (US)

* cited by examiner

(73) Assignee: **Dayton Technologies, L.L.C.**, Monroe, OH (US)

Primary Examiner—Doris Clark
(74) *Attorney, Agent, or Firm*—Jacox, Meckstroth & Jenkins

(**) Term: **14 Years**

(57) **CLAIM**

(21) Appl. No.: **29/194,696**

The ornamental design of a window sash frame extrusion, as shown and described.

(22) Filed: **Dec. 1, 2003**

DESCRIPTION

(51) **LOC (7) Cl.** **25-01**

(52) **U.S. Cl.** **D25/124**

(58) **Field of Search** D25/124; 52/204.55, 52/204.5

FIG. 1 is a perspective view of a window sash frame extrusion, showing our new design, with a middle portion broken away to disclose indefinite length; and,

FIG. 2 is an end view thereof, the opposite end view being a mirror image.

(56) **References Cited**

U.S. PATENT DOCUMENTS

D364,473 S * 11/1995 Goss, Jr. D25/124

1 Claim, 1 Drawing Sheet

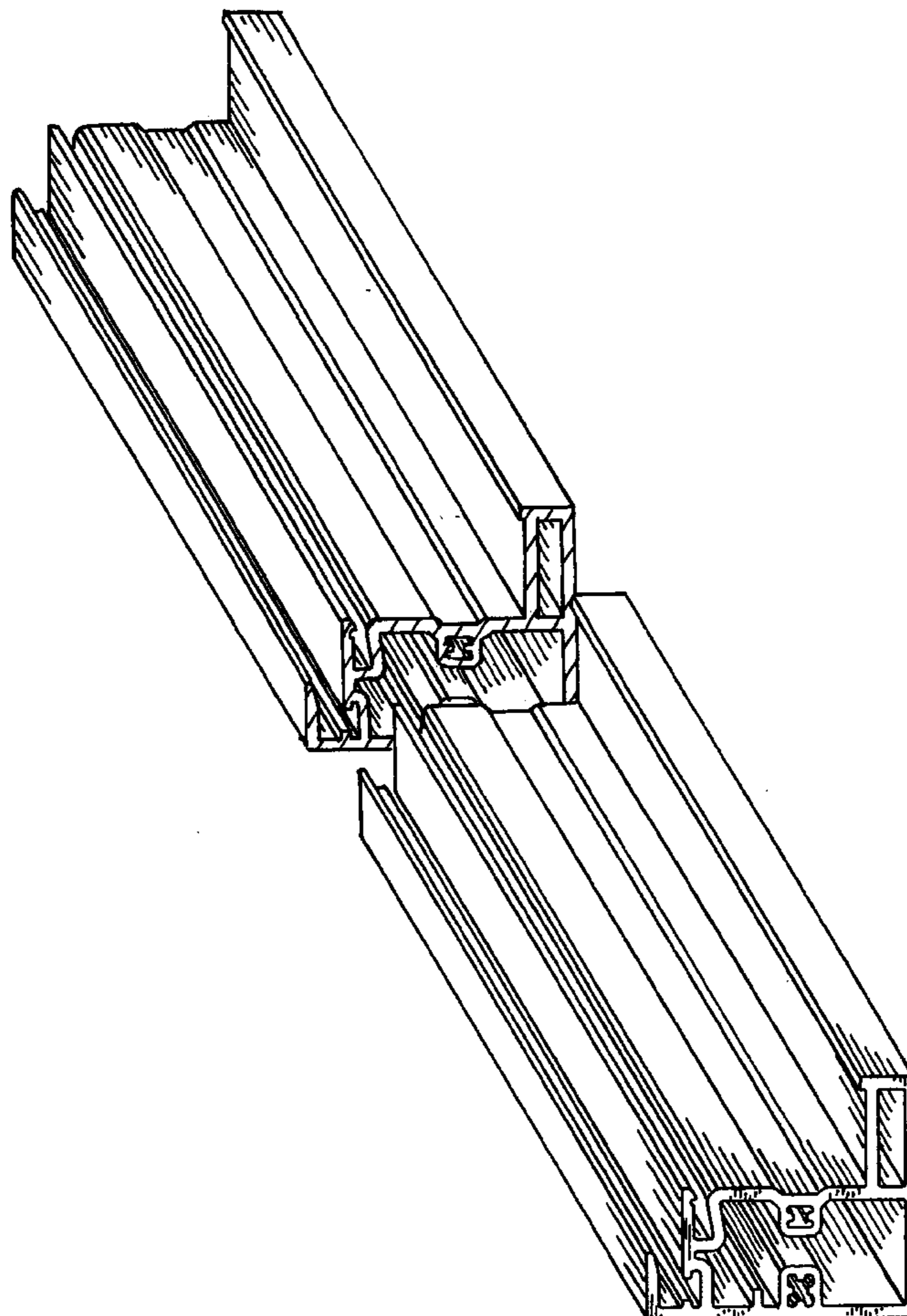


FIG-1

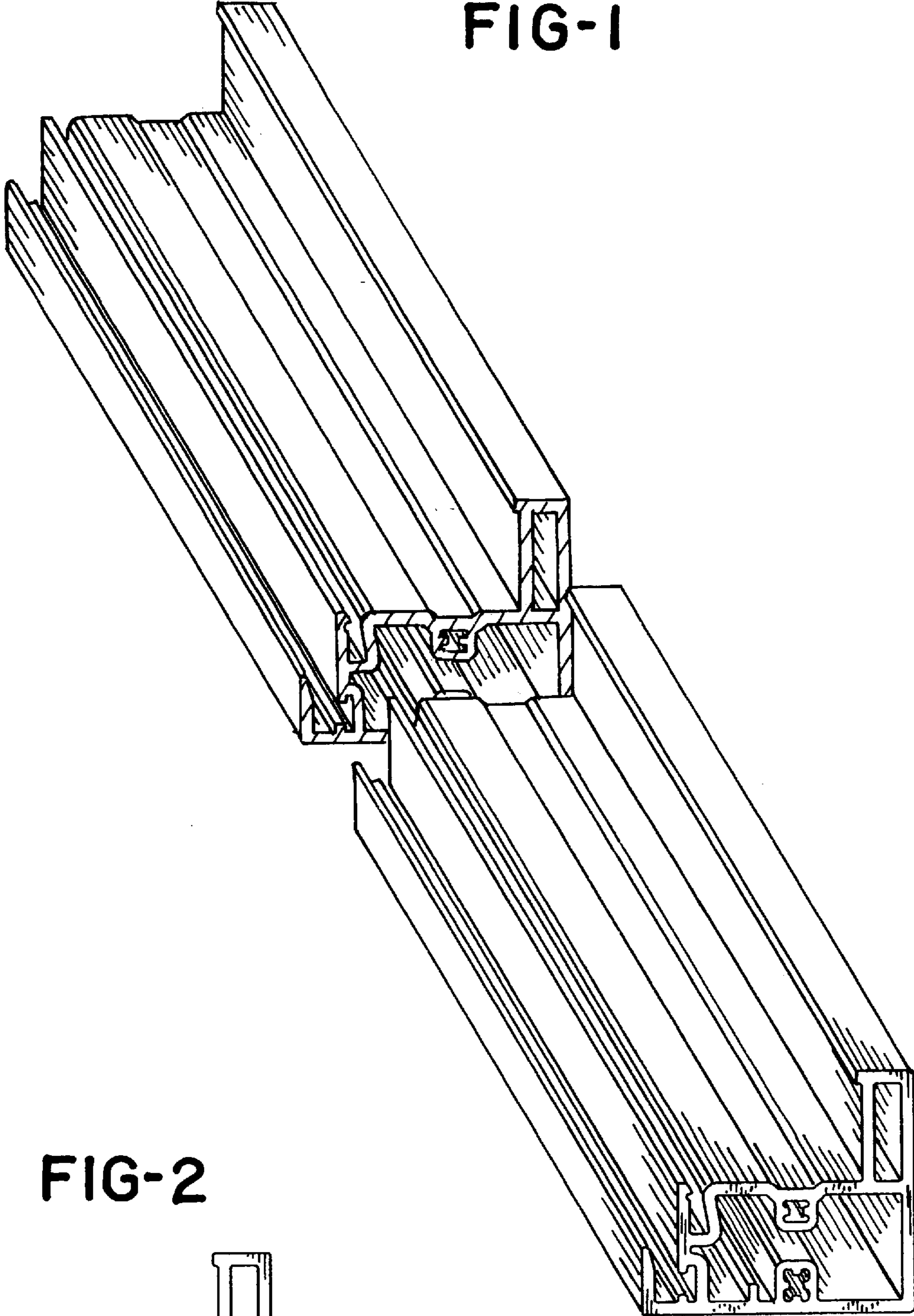


FIG-2

