

US00D503484S

(12) **United States Design Patent**  
**Deleu**

(10) **Patent No.:** **US D503,484 S**  
(45) **Date of Patent:** **\*\* Mar. 29, 2005**

(54) **CONSTRUCTION ELEMENT**

4,423,284 A \* 12/1983 Kaplan ..... 174/101  
6,510,663 B2 \* 1/2003 Jourden et al. .... 52/238.1

(75) Inventor: **Dirk Deleu**, Nazareth (BE)

\* cited by examiner

(73) Assignee: **Aluvision N.V.**, Nazareth (BE)

*Primary Examiner*—Doris Clark

(\*\*) Term: **14 Years**

(74) *Attorney, Agent, or Firm*—Kirschstein, et al.

(21) Appl. No.: **29/193,206**

(57) **CLAIM**

(22) Filed: **Nov. 5, 2003**

The ornamental design for a construction element, as shown and described.

(30) **Foreign Application Priority Data**

**DESCRIPTION**

May 23, 2003 (EM) ..... 25218-003

FIG. 1 is a broken-away, perspective view of a construction element according to my new design;

(51) **LOC (7) Cl.** ..... **25-01**

FIG. 2 is a broken-away, top plan view thereof;

(52) **U.S. Cl.** ..... **D25/122**

FIG. 3 is a broken-away, side elevational view thereof, the opposite side view being a mirror image;

(58) **Field of Search** ..... D25/122; 52/270,  
52/281, 290, 282.1, 287.1, 220.2, 220.3,  
220.7, 220.8

FIG. 4 is a front elevational view thereof, the rear elevational view being a mirror image; and,

(56) **References Cited**

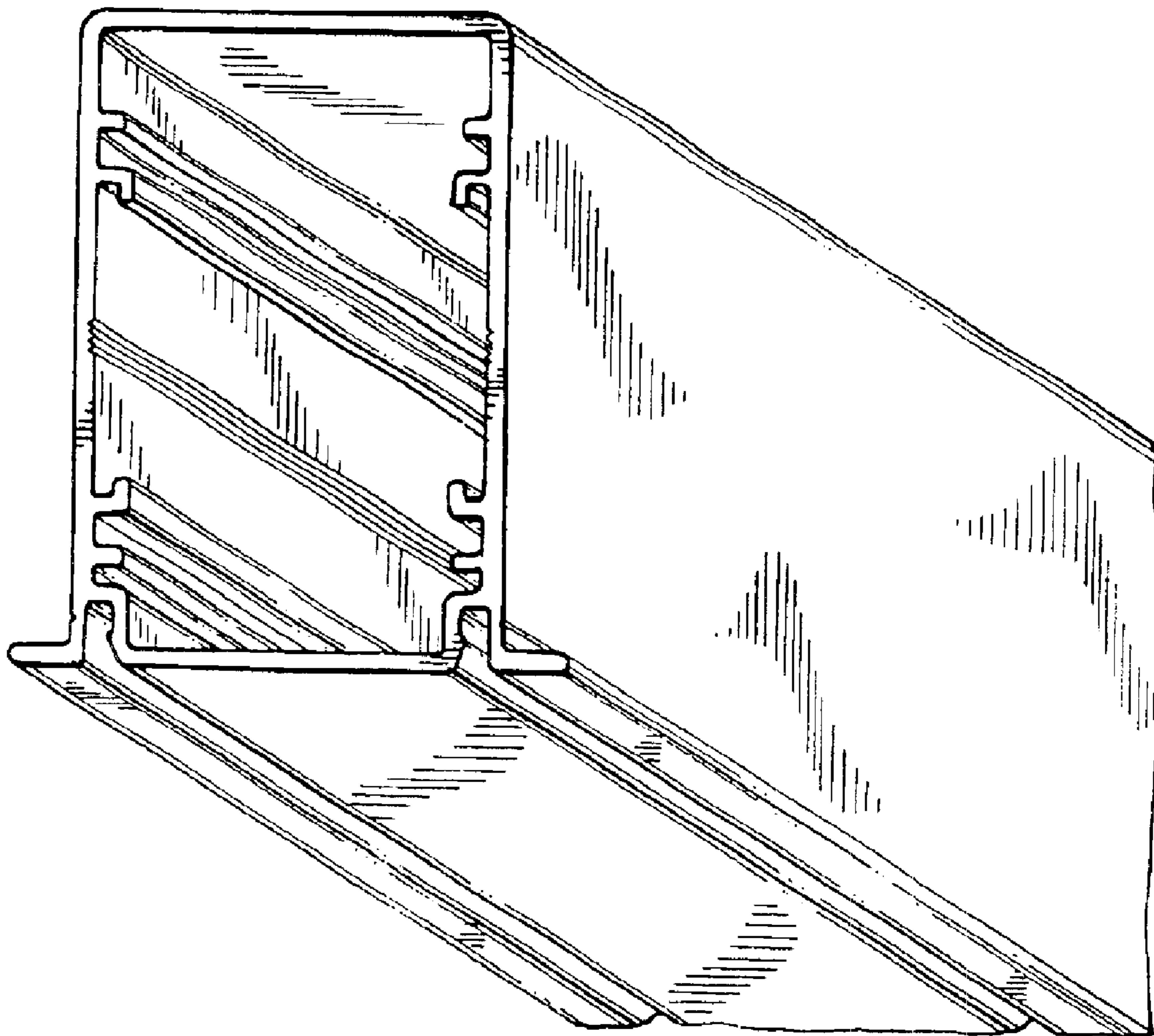
FIG. 5 is a broken-away, bottom plan view thereof.

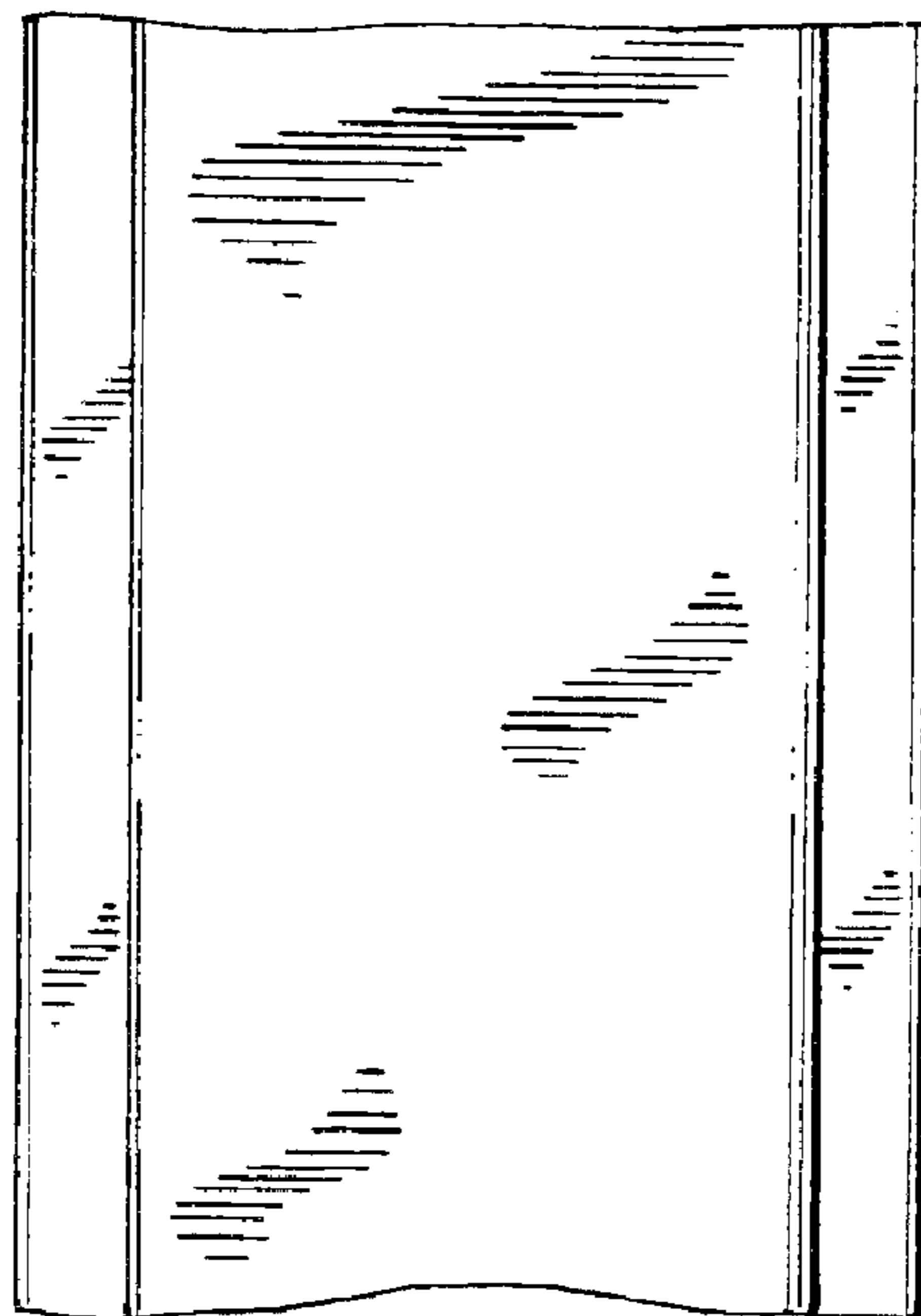
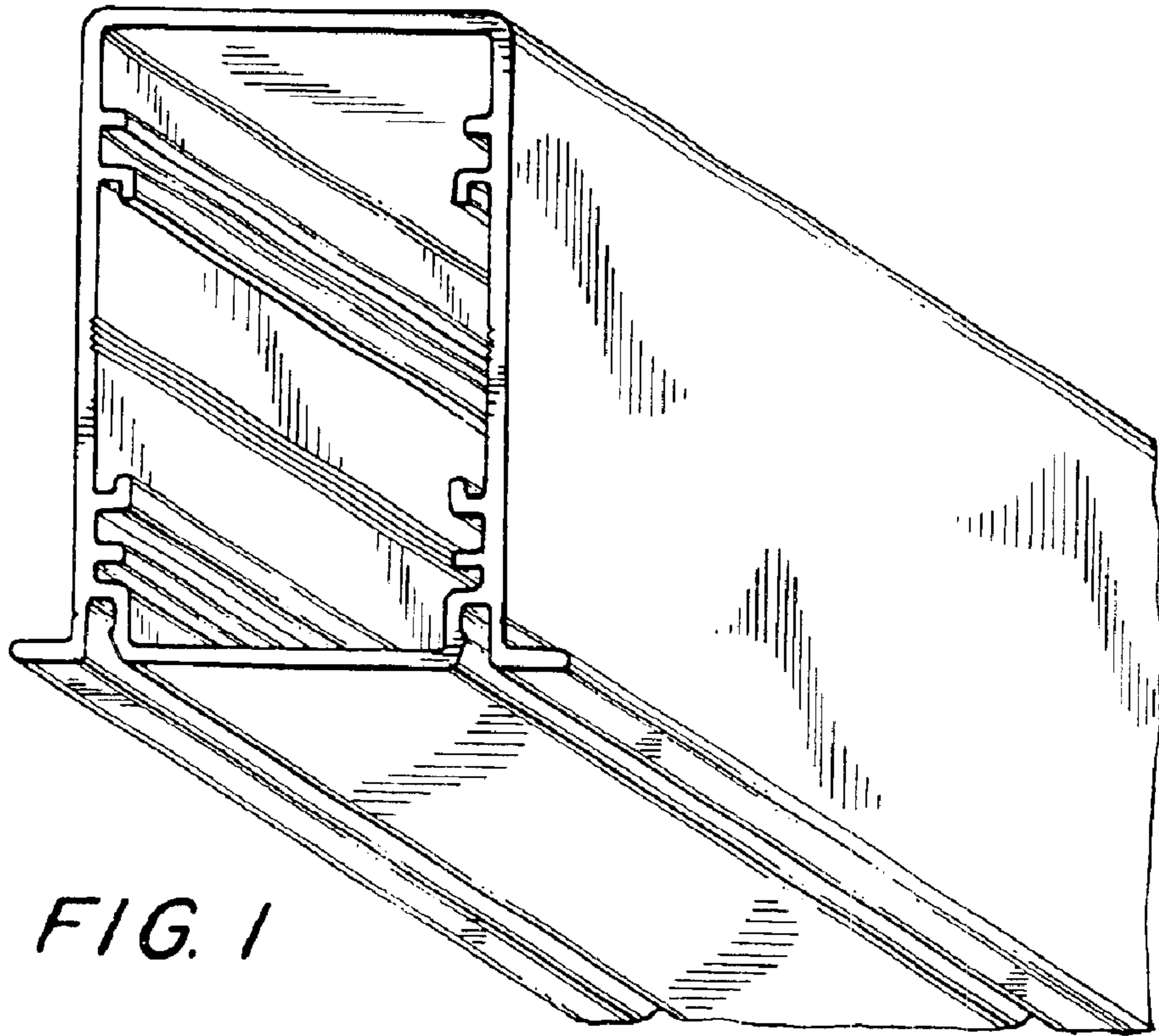
**U.S. PATENT DOCUMENTS**

The construction element has been broken on the end to indicate indefinite length.

D237,264 S \* 10/1975 Edwards ..... D25/122

**1 Claim, 2 Drawing Sheets**





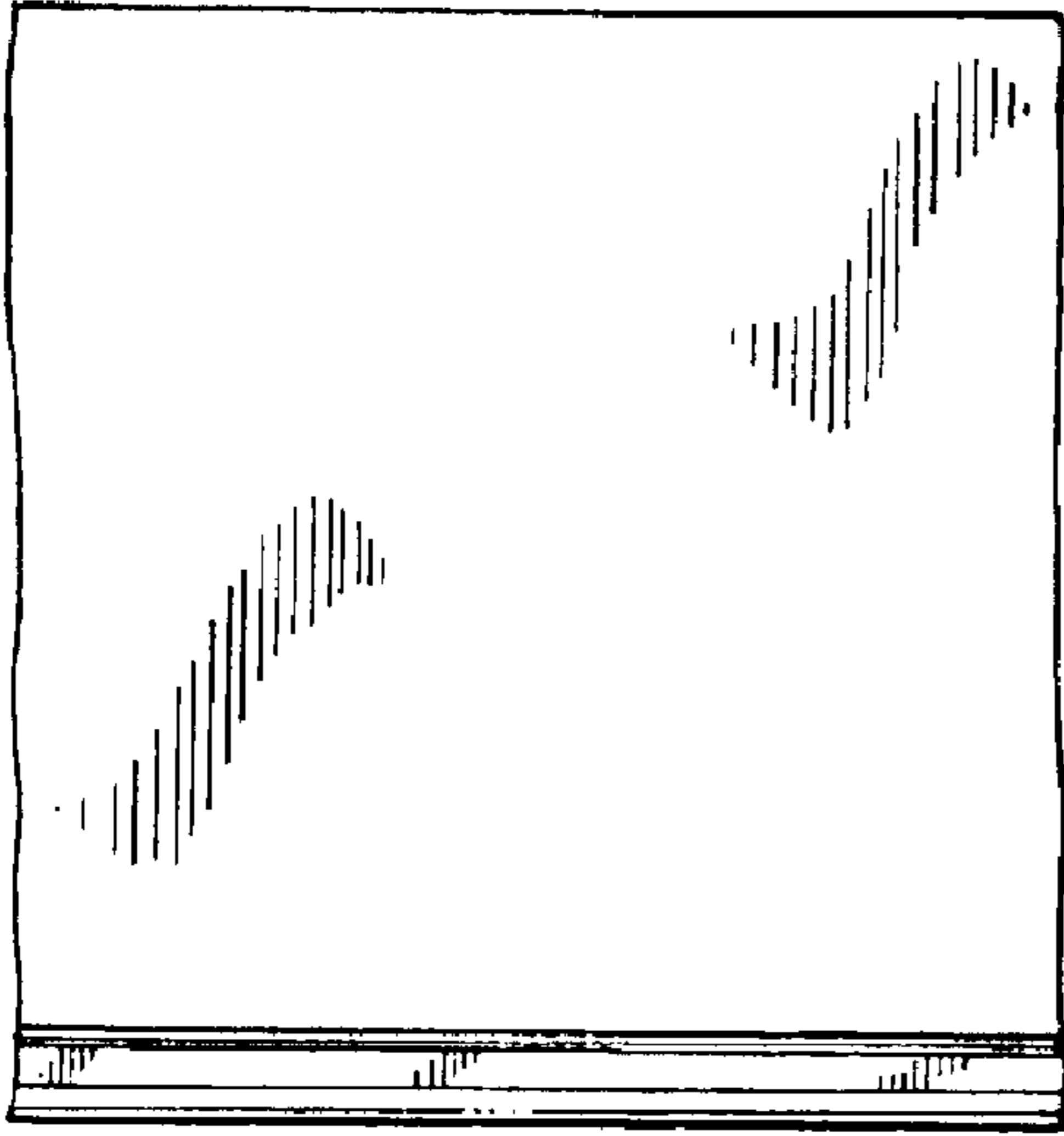


FIG. 3

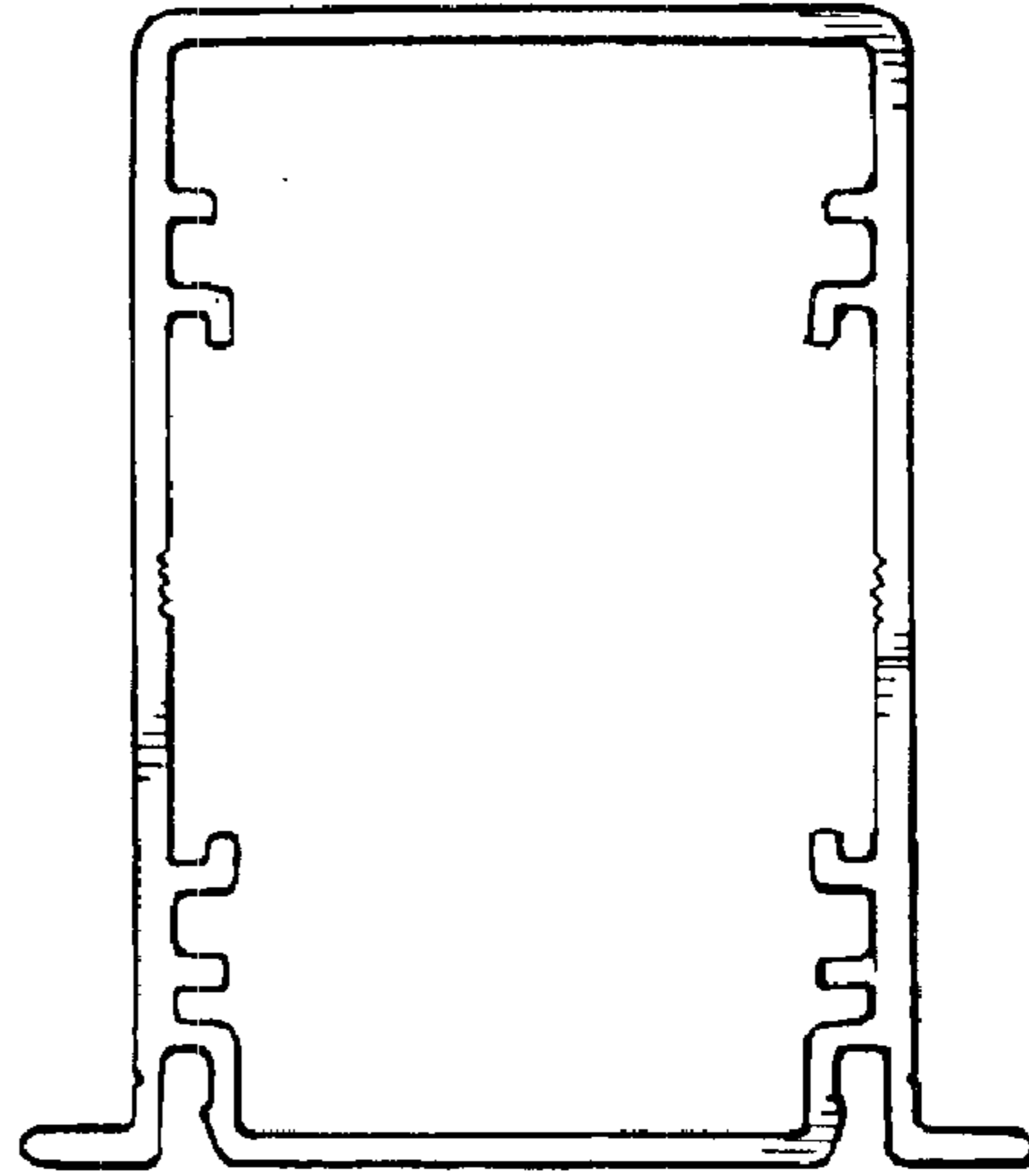


FIG. 4

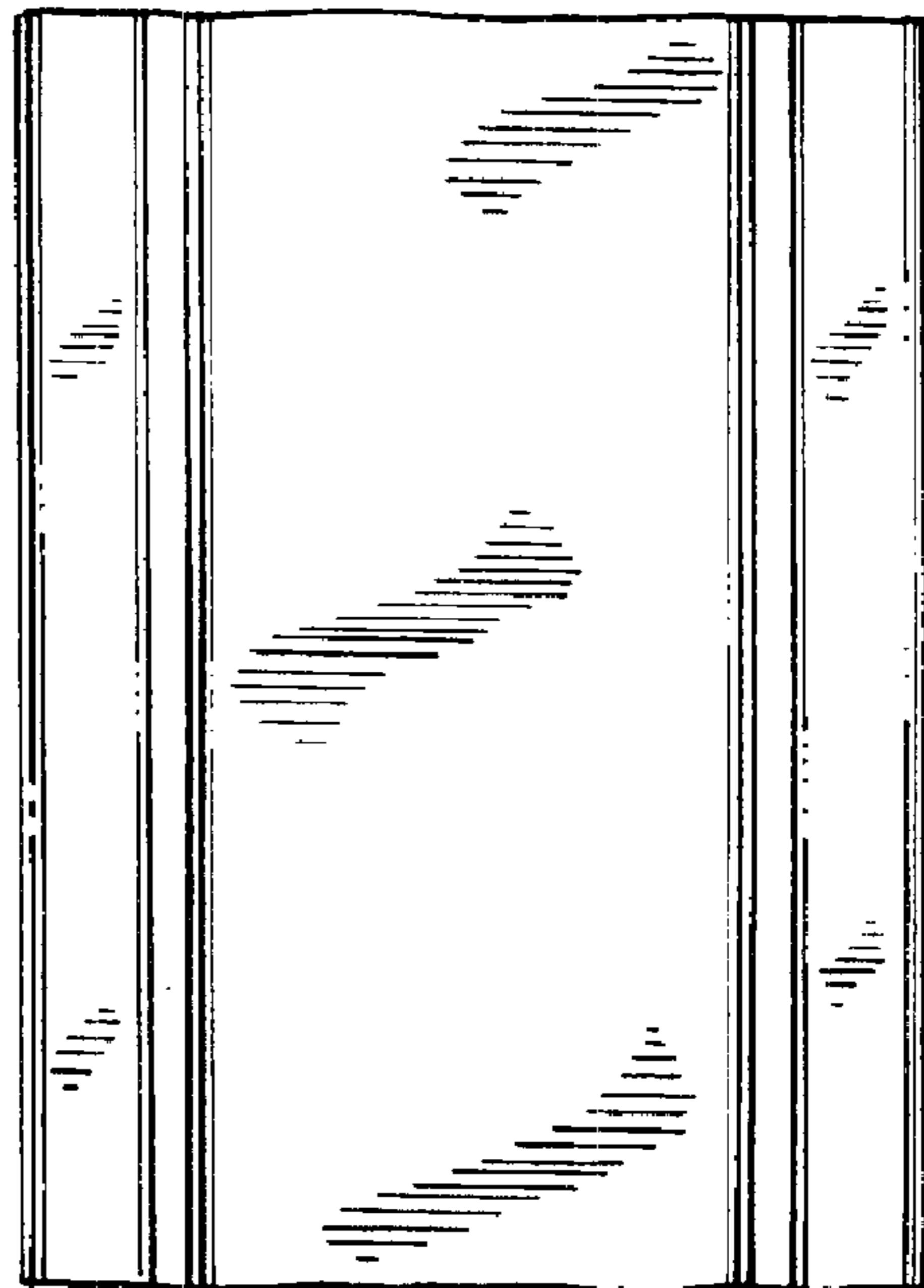


FIG. 5