

US00D503483S

(12) **United States Design Patent**  
**Williams**

(10) **Patent No.:** **US D503,483 S**  
(45) **Date of Patent:** **\*\* Mar. 29, 2005**

(54) **SPLITFACE BLOCK**

(75) **Inventor:** **Raymond F. Williams**, Massillon, OH (US)

(73) **Assignee:** **U.S. Technology Corporation**, Canton, OH (US)

(\*\*) **Term:** **14 Years**

(21) **Appl. No.:** **29/194,294**

(22) **Filed:** **Nov. 21, 2003**

(51) **LOC (7) Cl.** ..... **25-01**

(52) **U.S. Cl.** ..... **D25/113**

(58) **Field of Search** ..... D25/112-115,  
D25/118; 405/273, 284, 286; 52/596-597,  
600-601, 604-609

(56) **References Cited**

**U.S. PATENT DOCUMENTS**

1,317,183	A	*	9/1919	Straight	.....	D25/114
1,334,599	A	*	3/1920	Cusick	.....	D25/114
2,176,805	A	*	10/1939	Scheibl	.....	D25/118
2,313,363	A	*	3/1943	Schmitt	.....	D25/113
2,578,600	A	*	12/1951	Rose	.....	52/605
5,205,090	A	*	4/1993	Lavery	.....	52/102
6,024,516	A	*	2/2000	Taylor et al.	.....	405/284

\* cited by examiner

*Primary Examiner*—Robert A. Delehanty  
(74) *Attorney, Agent, or Firm*—Sand & Sebolt

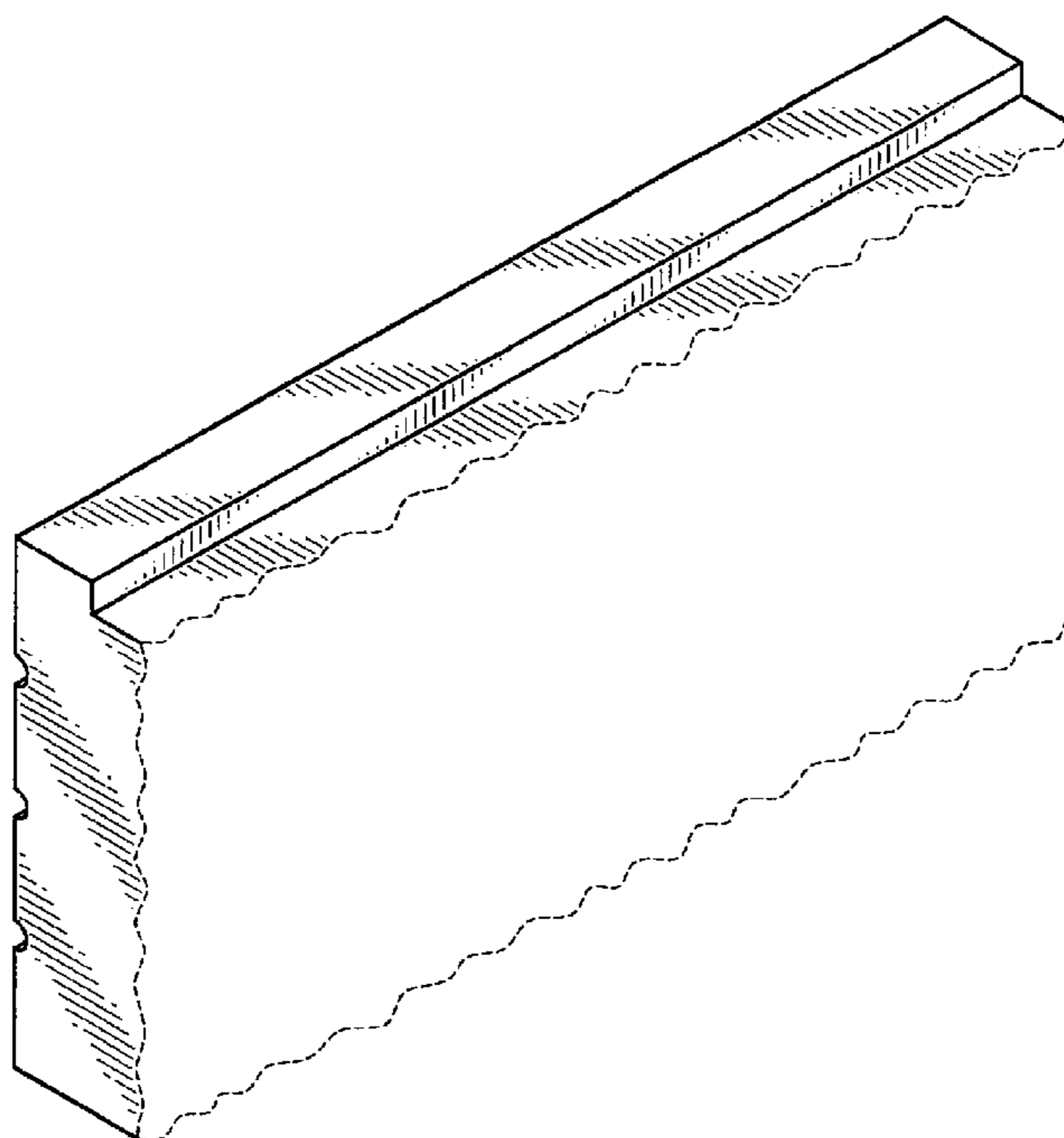
(57) **CLAIM**

The ornamental design for the splitface block, as shown and described.

**DESCRIPTION**

FIG. 1 is a perspective view of a splitface block showing a first embodiment of the present invention;  
 FIG. 2 is a top plan view of the splitface block shown in FIG. 1;  
 FIG. 3 is a bottom plan view of the splitface block shown in FIG. 1;  
 FIG. 4 is a rear elevational view of the splitface block shown in FIG. 1;  
 FIG. 5 is a left side elevational view of the splitface block shown in FIG. 1;  
 FIG. 6 is a perspective view of a splitface block showing a second embodiment of the present invention;  
 FIG. 7 is a perspective view of two splitface blocks shown stacked one upon the other;  
 FIG. 8 is a top plan view of the two splitface blocks shown in FIG. 7;  
 FIG. 9 is a bottom plan view of the two splitface blocks shown in FIG. 7;  
 FIG. 10 is a rear elevational view of the two splitface blocks shown in FIG. 7;  
 FIG. 11 is a left side elevational view of the two splitface blocks shown in FIG. 7; and,  
 FIG. 12 is a right side elevational view of the two splitface blocks shown in FIG. 7.  
 The broken line(s) which define the bounds of the claimed design form no part thereof.

**1 Claim, 5 Drawing Sheets**



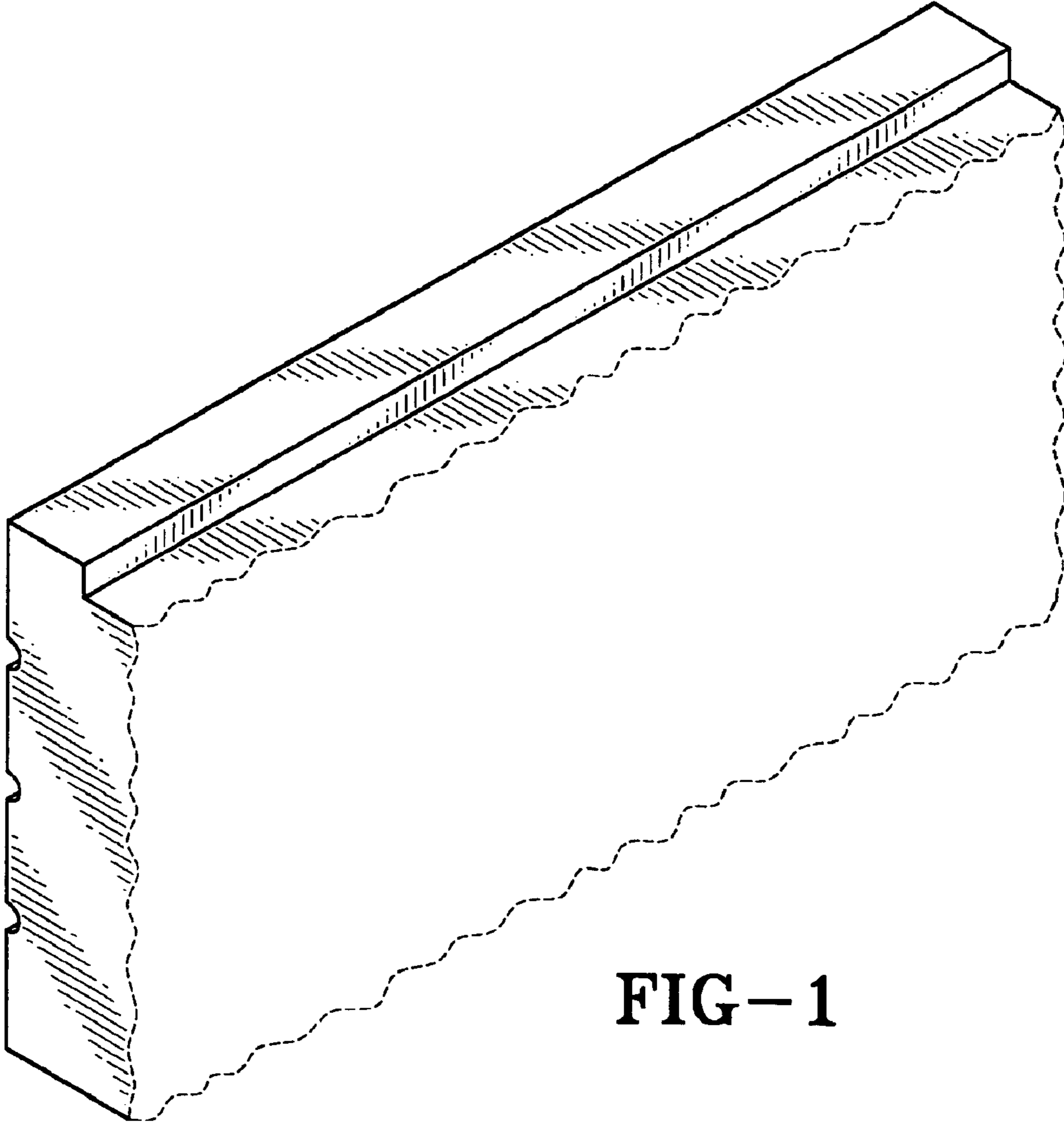


FIG-1

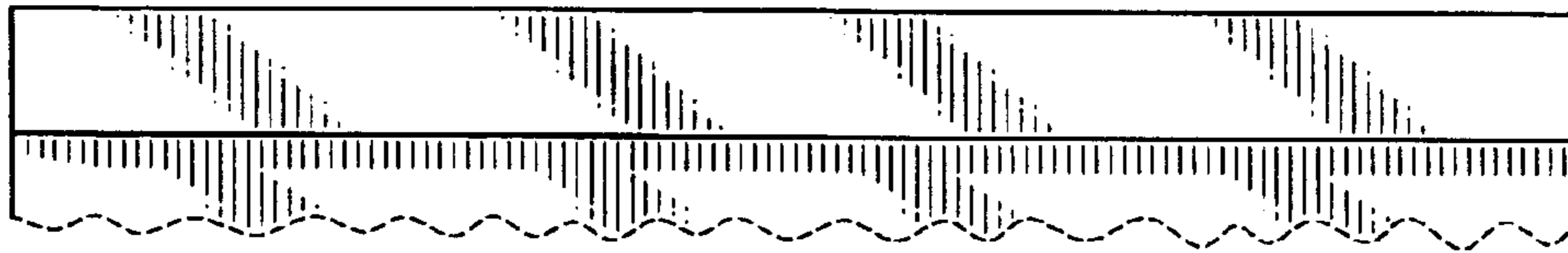


FIG-2

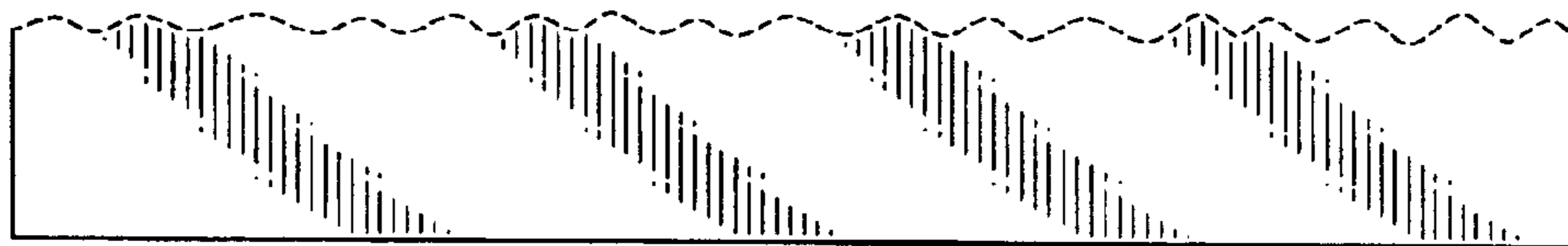


FIG-3

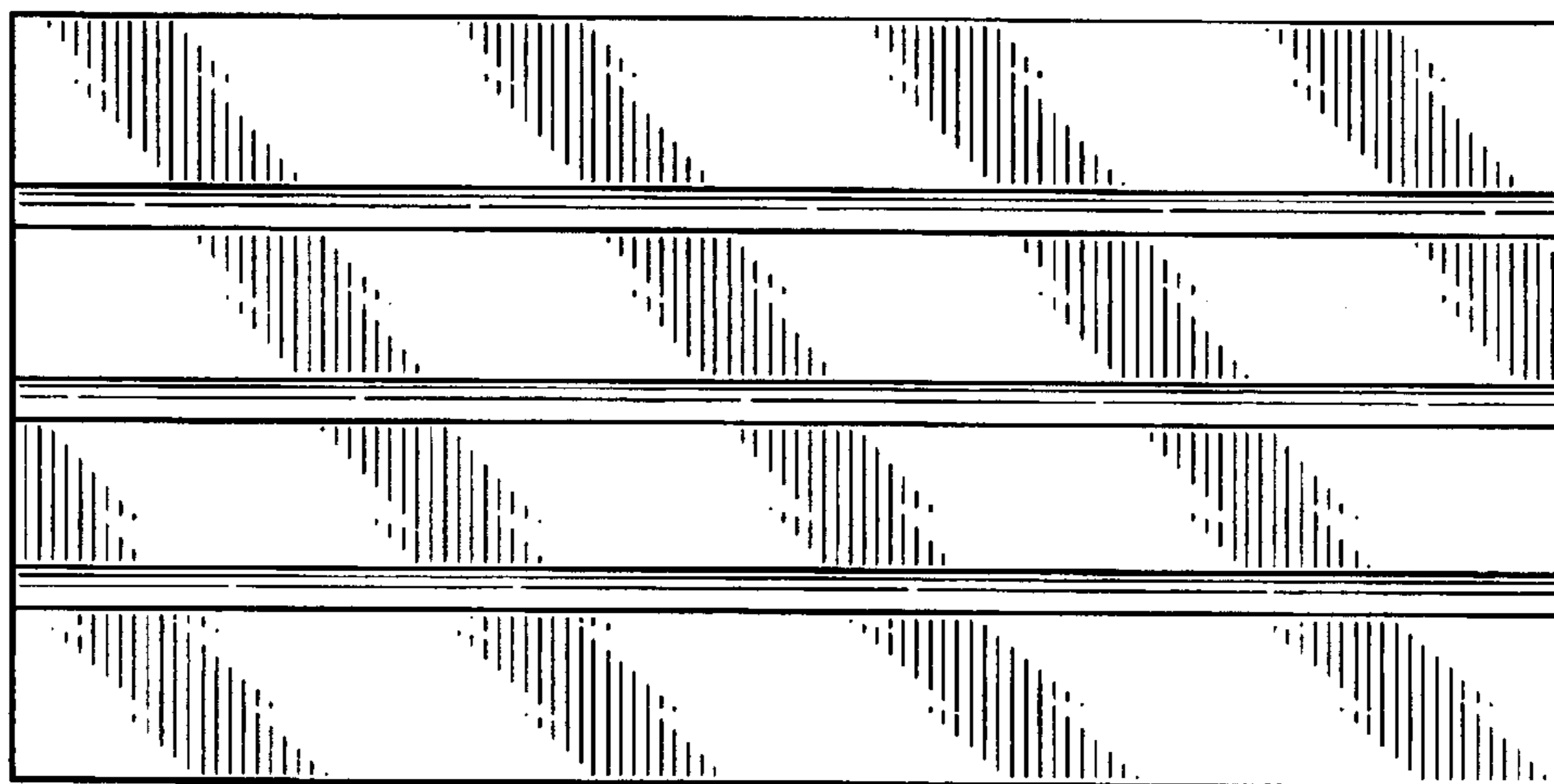


FIG-4

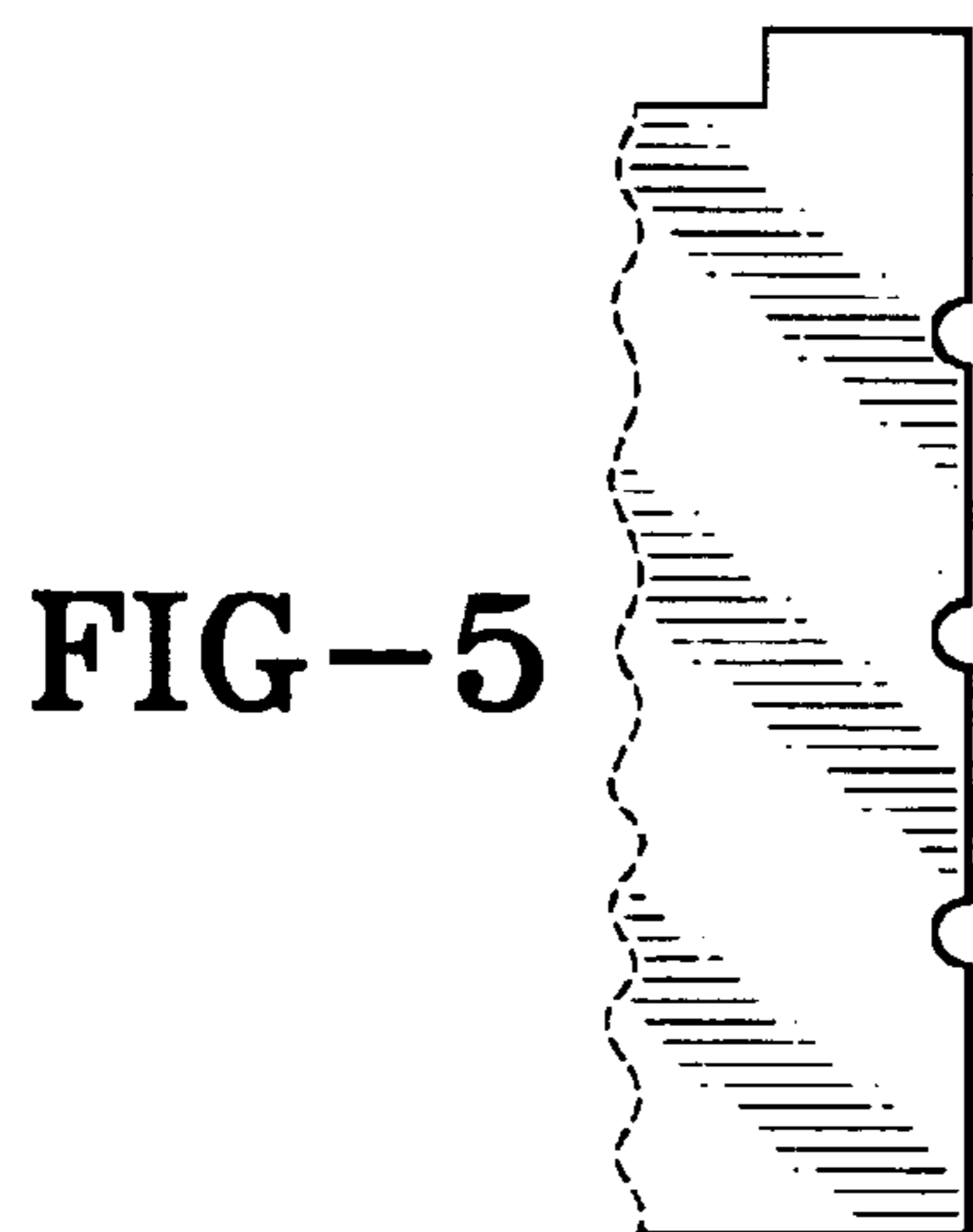


FIG-5



FIG-6

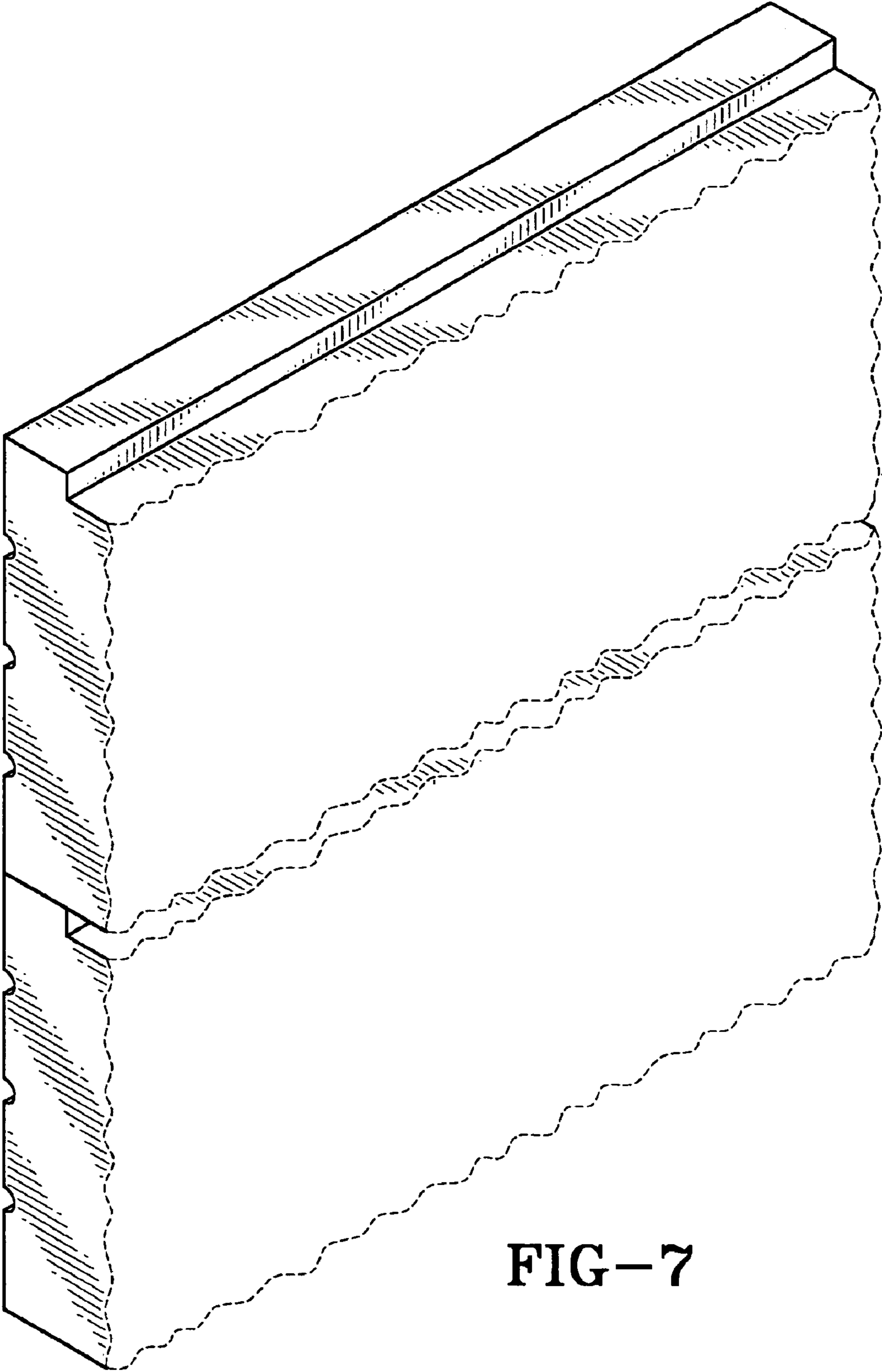


FIG-7

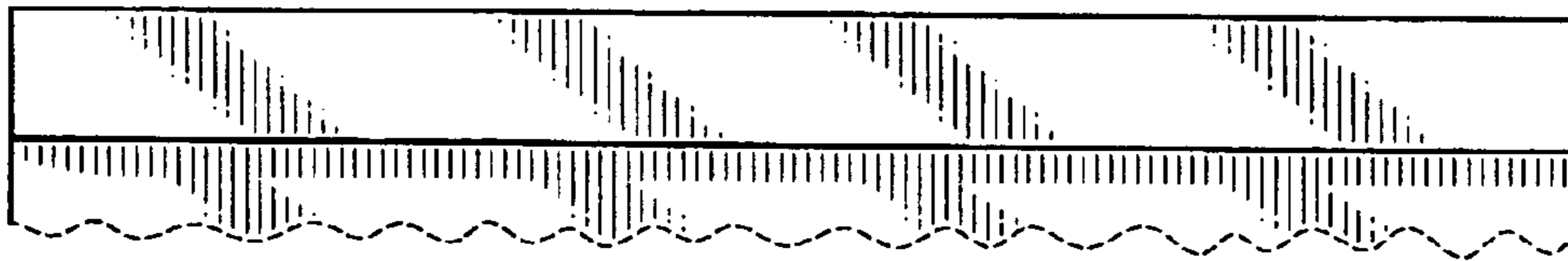


FIG-8



FIG-9

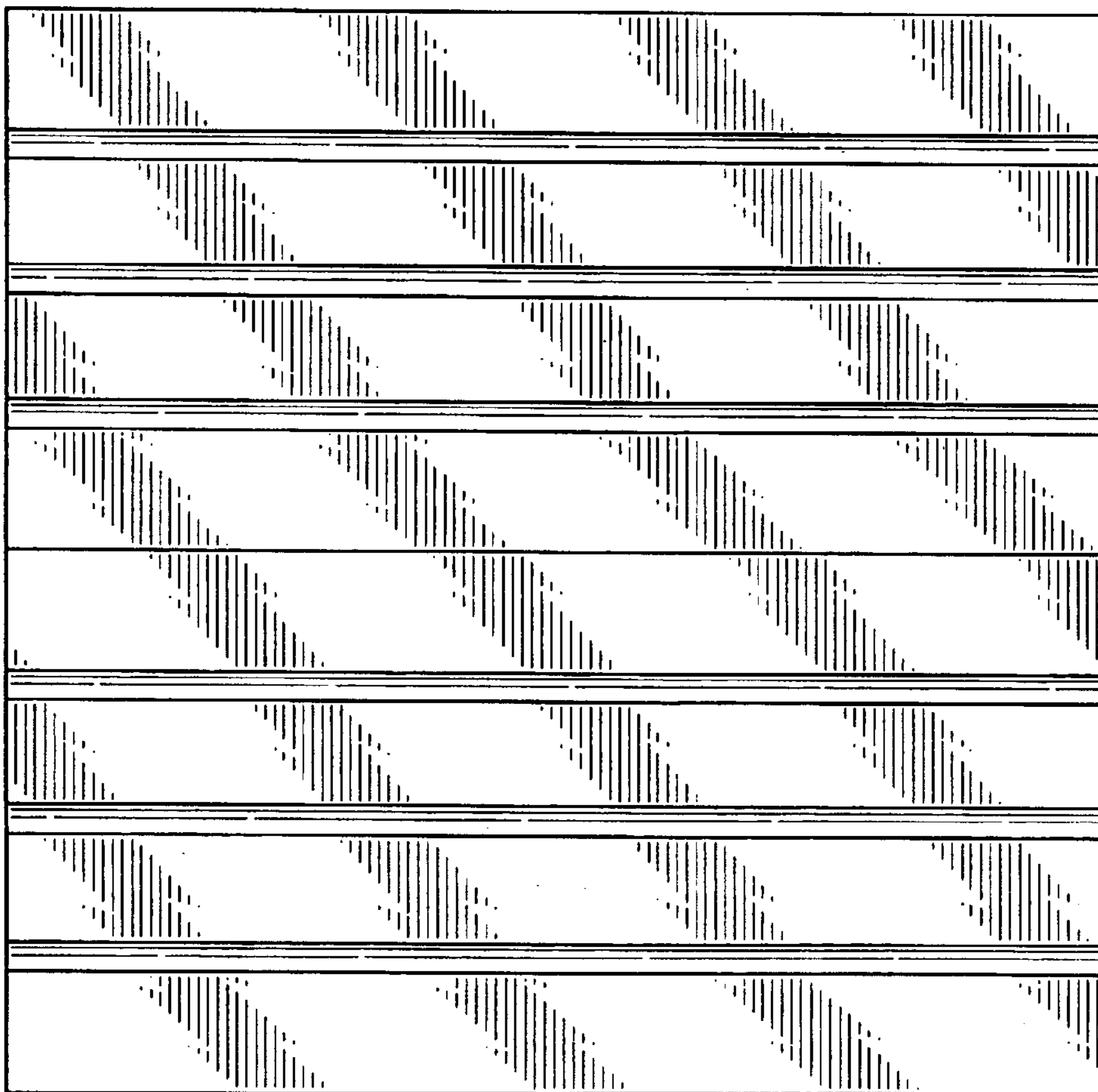


FIG-10



FIG-11



FIG-12