

US00D503479S

(12) **United States Design Patent**  
**Ina et al.**

(10) **Patent No.:** **US D503,479 S**  
(45) **Date of Patent:** **\*\* Mar. 29, 2005**

(54) **DATA CONVERTER FOR MEDICAL USE**

(75) Inventors: **Takao Ina**, Tokyo (JP); **Shozo Kondo**, Tokyo (JP); **Aya Ohkawa**, Tokyo (JP)

(73) Assignee: **Fuji Photo Film Co., Ltd.**, Kanagawa (JP)

(\*\*) Term: **14 Years**

(21) Appl. No.: **29/168,018**

(22) Filed: **Sep. 26, 2002**

(30) **Foreign Application Priority Data**

Mar. 29, 2002 (JP) ..... 2002-008562

(51) **LOC (7) Cl.** ..... **24-01**

(52) **U.S. Cl.** ..... **D24/186; D24/158**

(58) **Field of Search** ..... D24/186, 158, D24/185; D14/368; D10/46; 600/300, 509, 546, 407; 250/370.09, 370.08

(56) **References Cited**

**U.S. PATENT DOCUMENTS**

D300,359 S \* 3/1989 Lee et al. .... D24/186  
D338,658 S \* 8/1993 Suzuki ..... D14/340  
D340,234 S \* 10/1993 Katayama ..... D14/368  
5,272,627 A \* 12/1993 Maschhoff et al. .... 378/4

D443,062 S \* 5/2001 Drew ..... D24/186  
D446,306 S \* 8/2001 Ochi et al. .... D24/186  
D459,813 S \* 7/2002 Ramsey, III ..... D24/186  
D491,179 S \* 6/2004 Wu ..... D14/368  
2003/0065675 A1 \* 4/2003 Gritzbach et al. .... 707/102  
2003/0105389 A1 \* 6/2003 Noonan et al. .... 600/300

\* cited by examiner

*Primary Examiner*—Ian Simmons

(74) *Attorney, Agent, or Firm*—Young & Thompson

(57) **CLAIM**

The ornamental design for a data converter for medical use, as shown.

**DESCRIPTION**

FIG. 1 is a top, front and side perspective view of a data converter for medical use, showing our new design; FIG. 2 is a front elevational view thereof; FIG. 3 is a rear elevational view thereof; FIG. 4 is a top plan view thereof; FIG. 5 is a bottom plan view thereof; FIG. 6 is a side elevational view thereof from the right of FIG. 2; and, FIG. 7 is a side elevational view thereof from the left of FIG. 2.

**1 Claim, 4 Drawing Sheets**

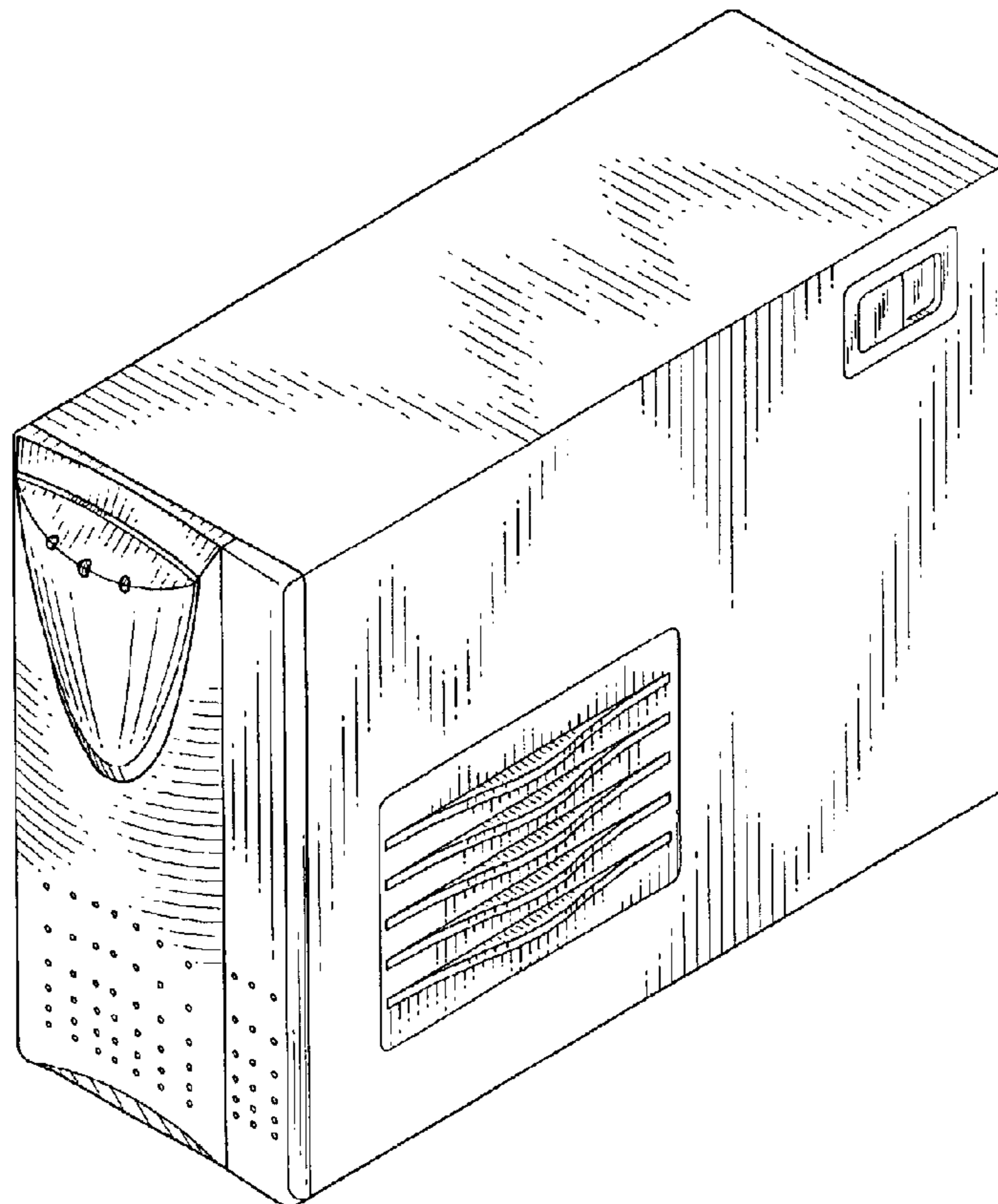


FIG. 1

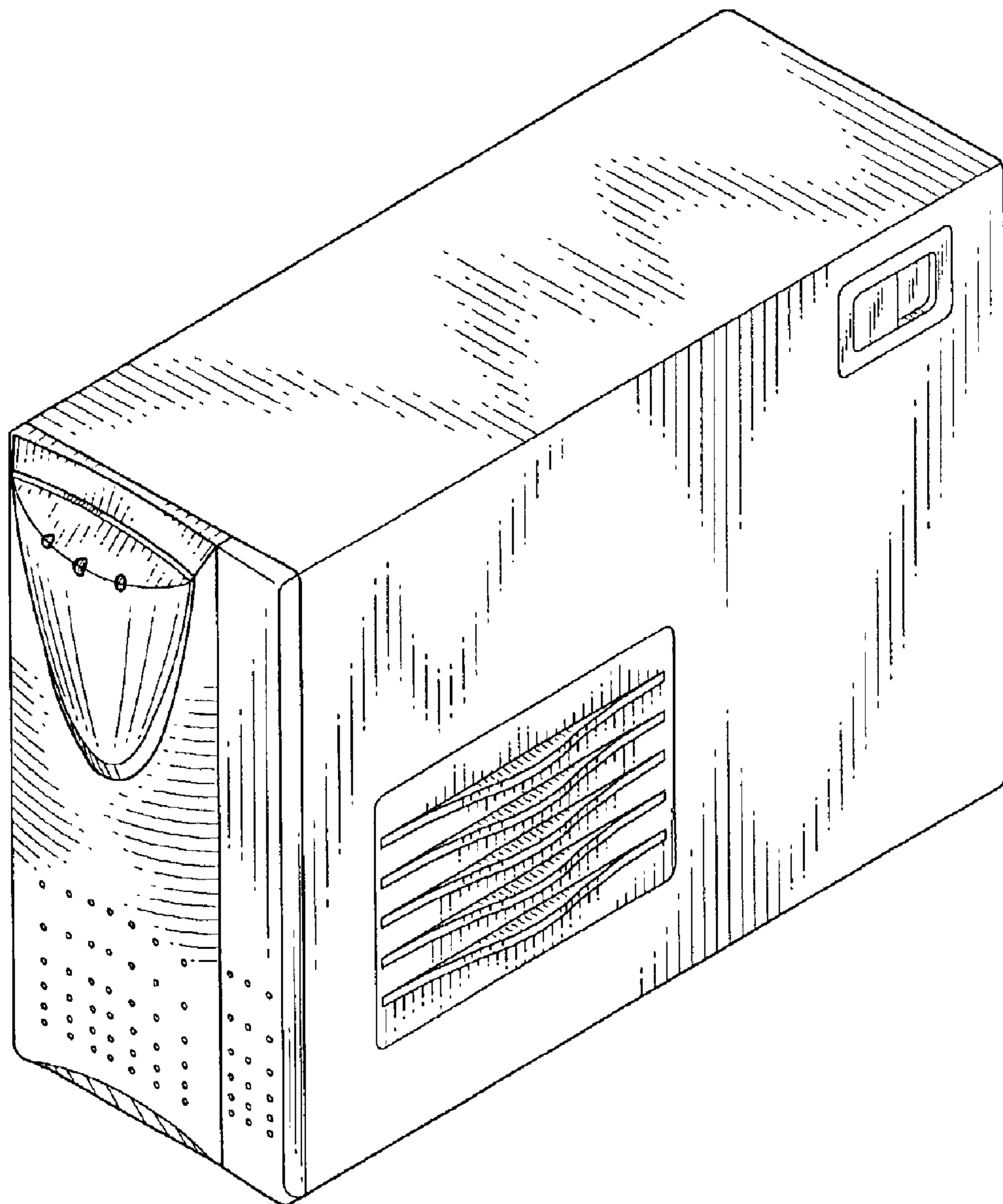


FIG. 2

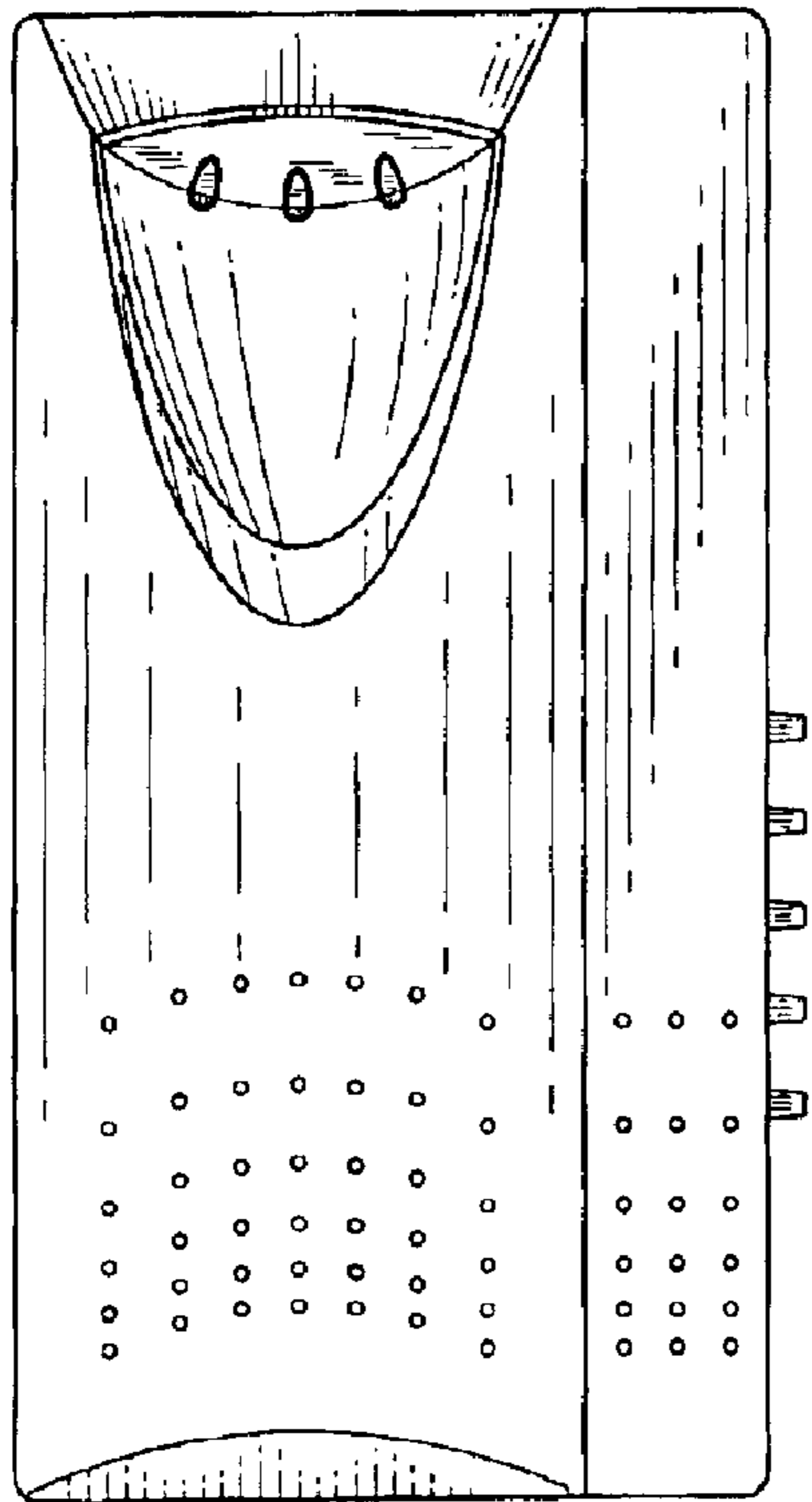


FIG. 3

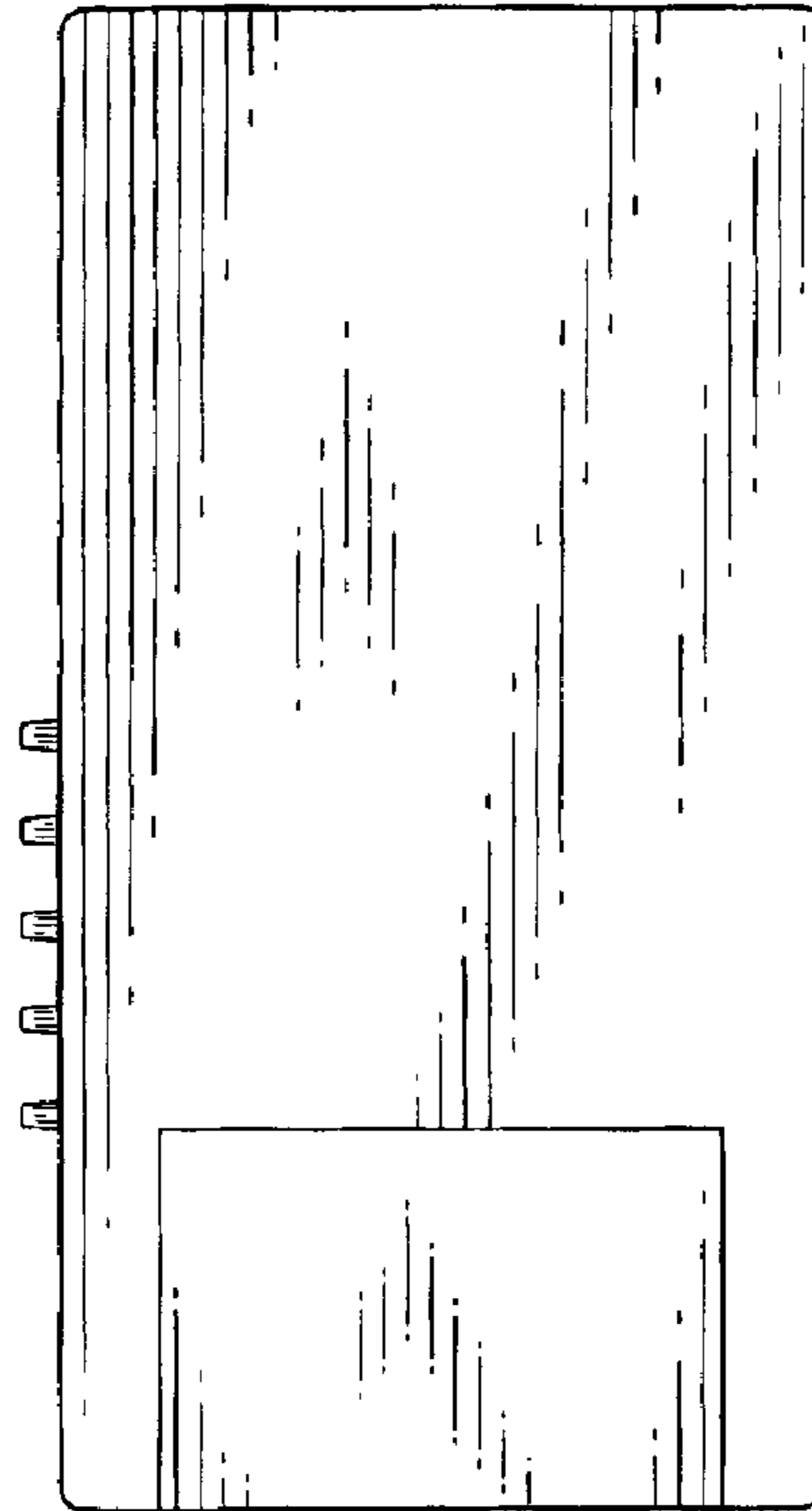


FIG. 4

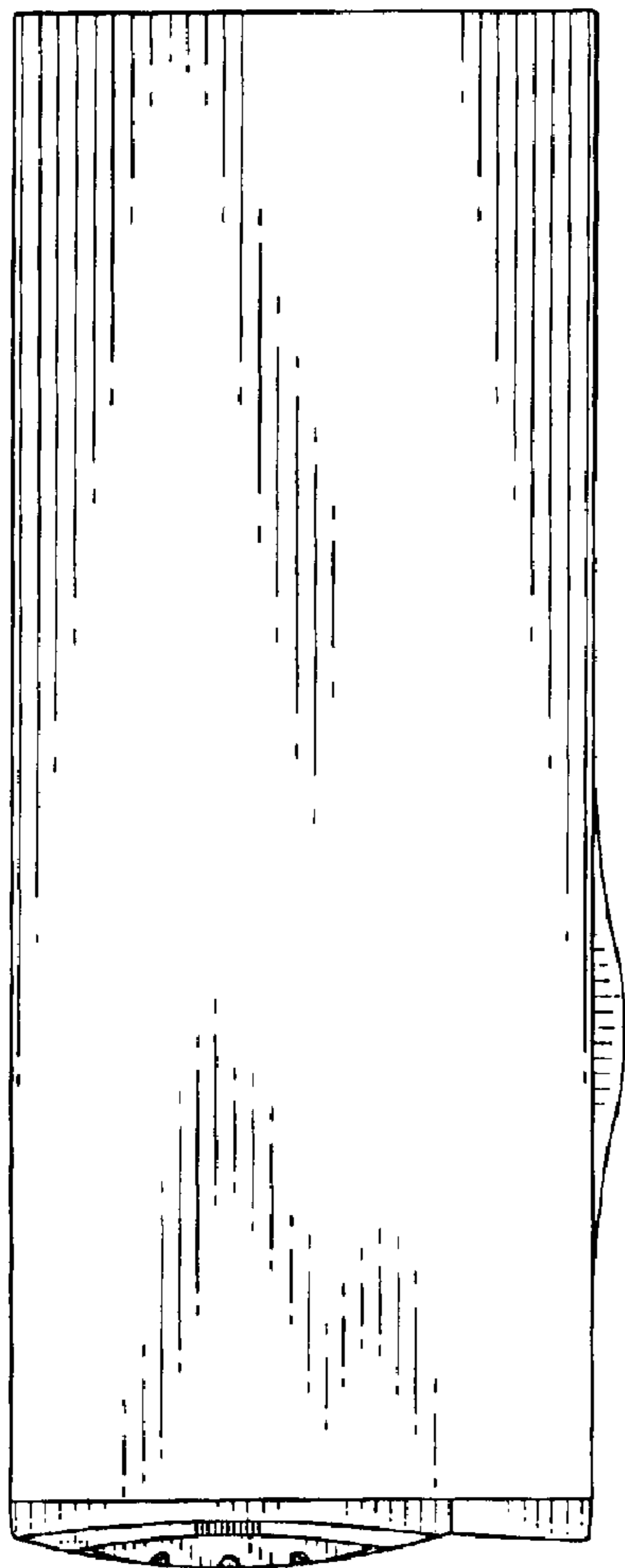


FIG. 5

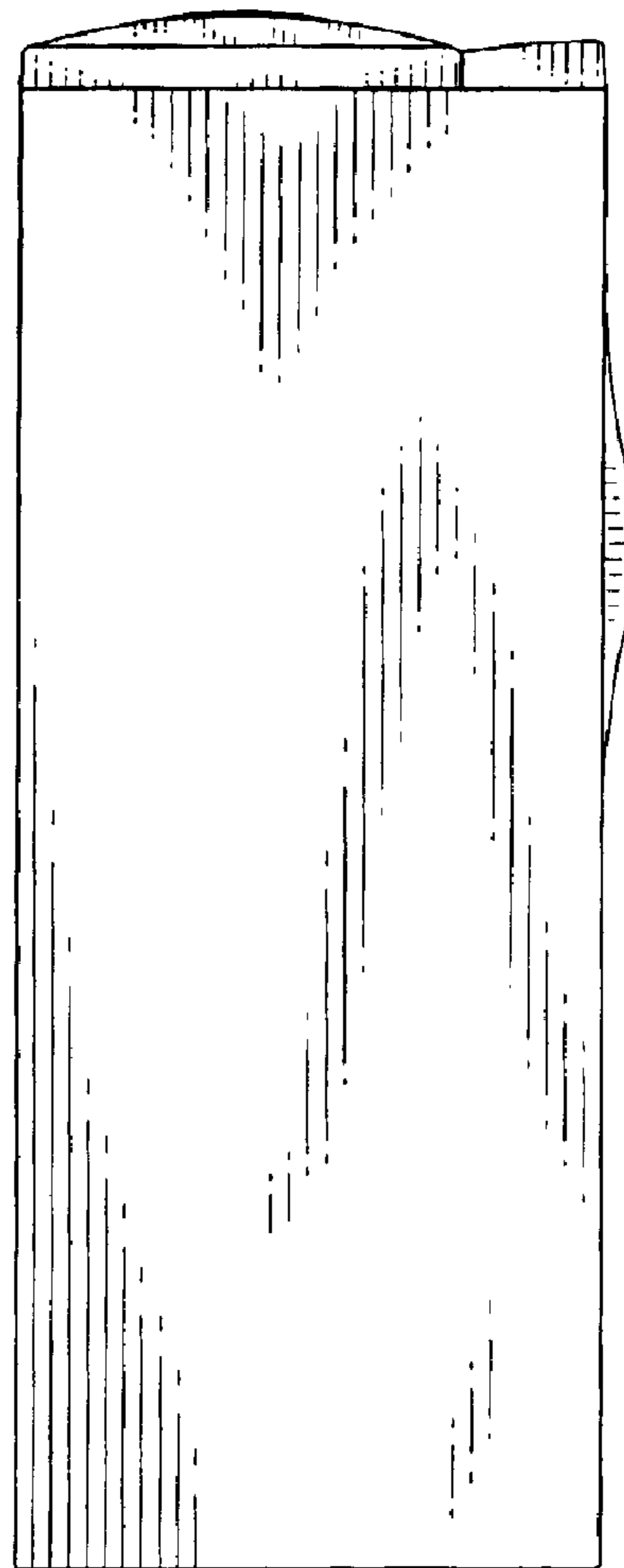


FIG. 6

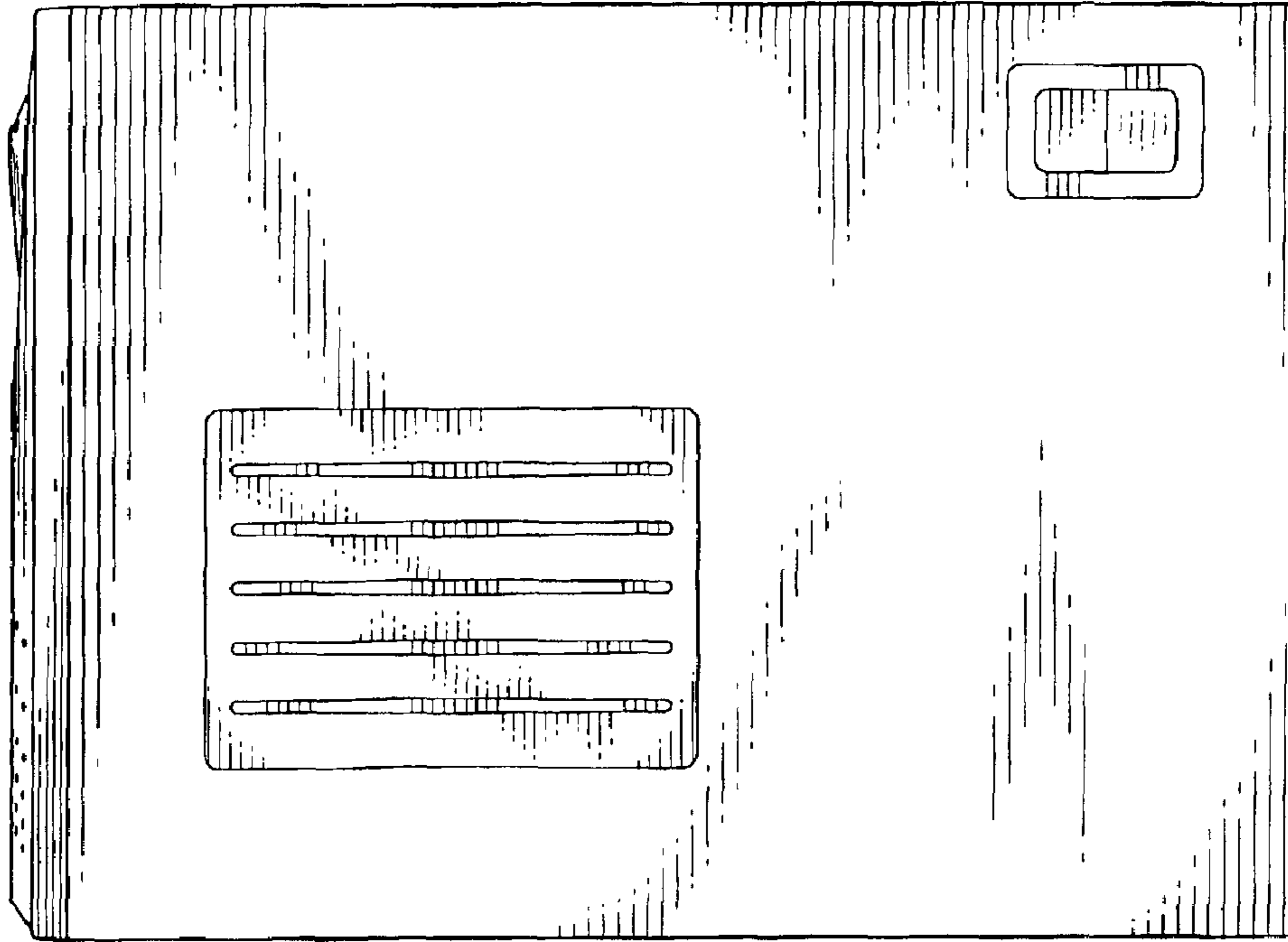


FIG. 7

