

US00D503470S

(12) **United States Design Patent**  
**Rodolfo et al.**

(10) **Patent No.:** **US D503,470 S**  
(45) **Date of Patent:** **\*\* Mar. 29, 2005**

(54) **SOFFIT ACCESSORY STRIP VENT WITH SEMI-HIDDEN VENT**

5,885,153 A \* 3/1999 Bateman ..... 454/260  
6,537,147 B2 \* 3/2003 Smith ..... 454/365

(75) Inventors: **Saul LeGarcia Rodolfo**, Marshall, MI (US); **Thomas Charles Gilbert**, Clarklake, MI (US)

\* cited by examiner

*Primary Examiner*—Louis S. Zarfes  
*Assistant Examiner*—Susan Bennett-Hattan

(73) Assignee: **CertainTeed Corporation**, Valley Forge, PA (US)

(74) *Attorney, Agent, or Firm*—Duane Morris, LLP

(\*\*) Term: **14 Years**

(57) **CLAIM**

The ornamental design for a soffit accessory strip vent with semi-hidden vent, as shown and described in FIGS. 1–4.

(21) Appl. No.: **29/197,348**

**DESCRIPTION**

(22) Filed: **Jan. 14, 2004**

(51) **LOC (7) Cl.** ..... **23-04**

(52) **U.S. Cl.** ..... **D23/393**

(58) **Field of Search** ..... D23/293, 386;  
52/94, 95; D25/119, 55, 19, 164, 61; 454/260, 250

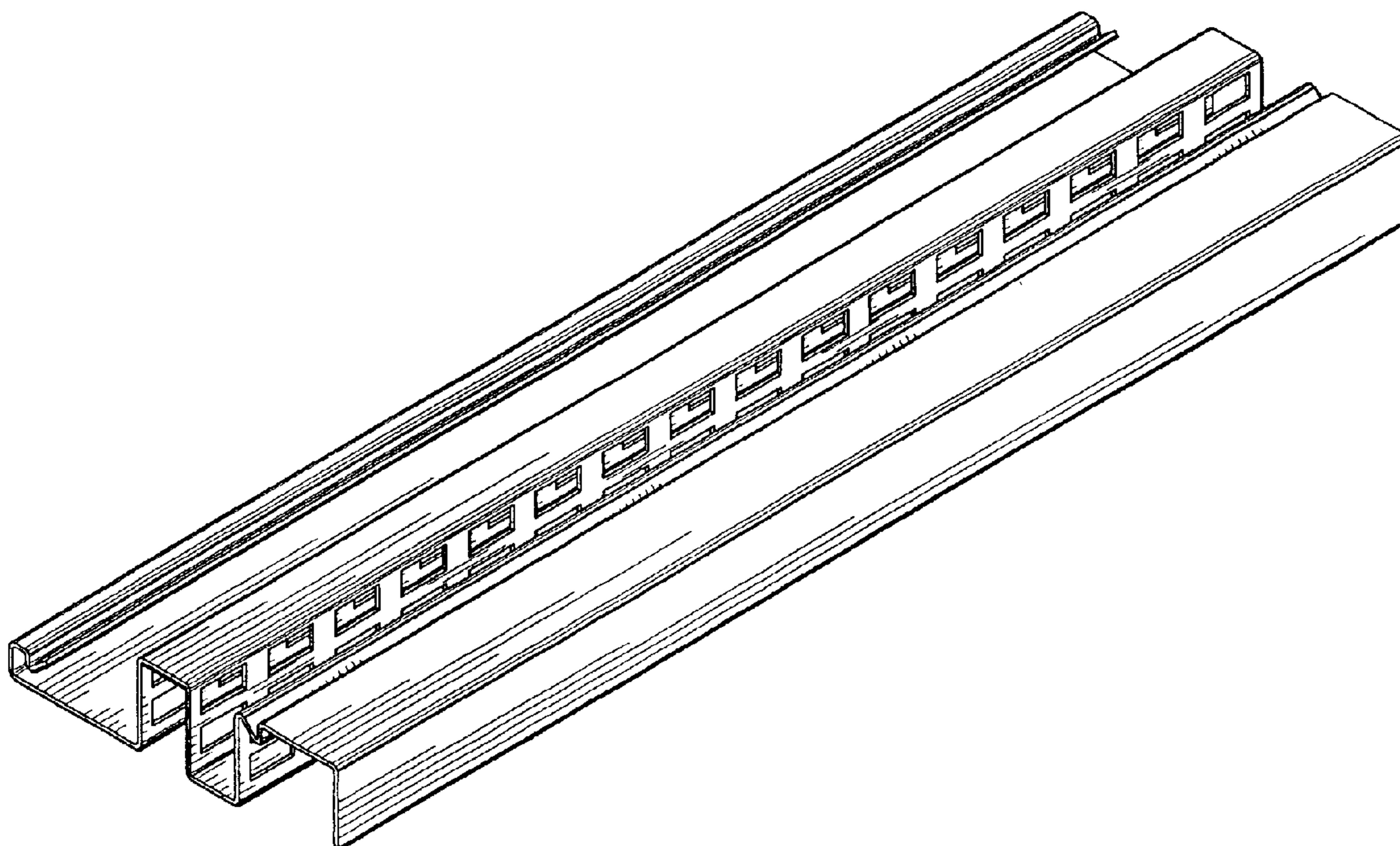
FIG. 1 is a front perspective view of the soffit accessory strip vent with semi-hidden vent, showing our new design;  
FIG. 2 is a top planar view of the soffit accessory strip vent with semi-hidden vent of FIG. 1;  
FIG. 3 is a bottom planar view of the soffit accessory strip vent with semi-hidden vent of FIG. 1; and,  
FIG. 4 is a front elevational view of the soffit accessory strip vent with semi-hidden vent of FIG. 1.

(56) **References Cited**

**U.S. PATENT DOCUMENTS**

D268,703 S \* 4/1983 Lloyd-Jones ..... D25/55

**1 Claim, 2 Drawing Sheets**



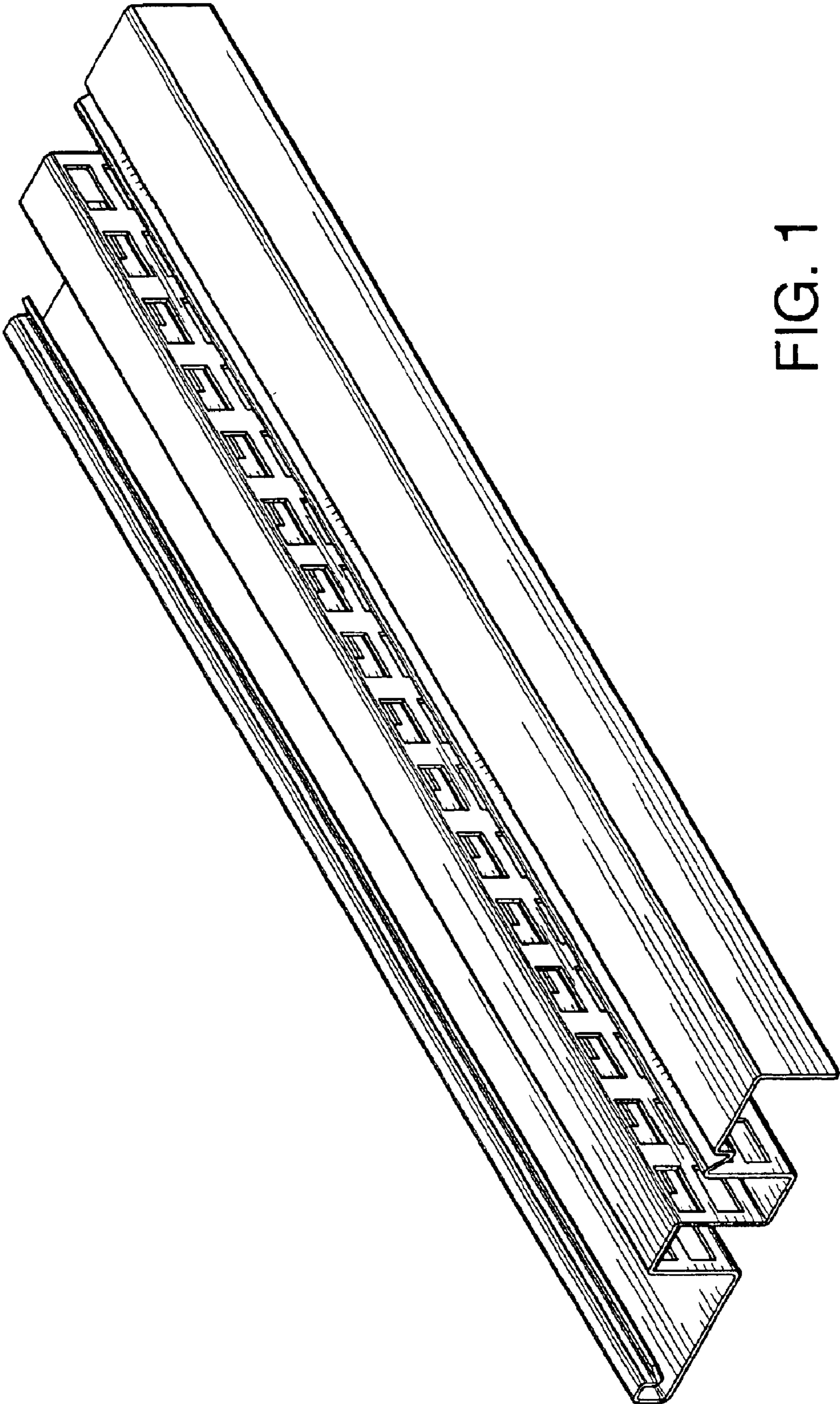


FIG. 1

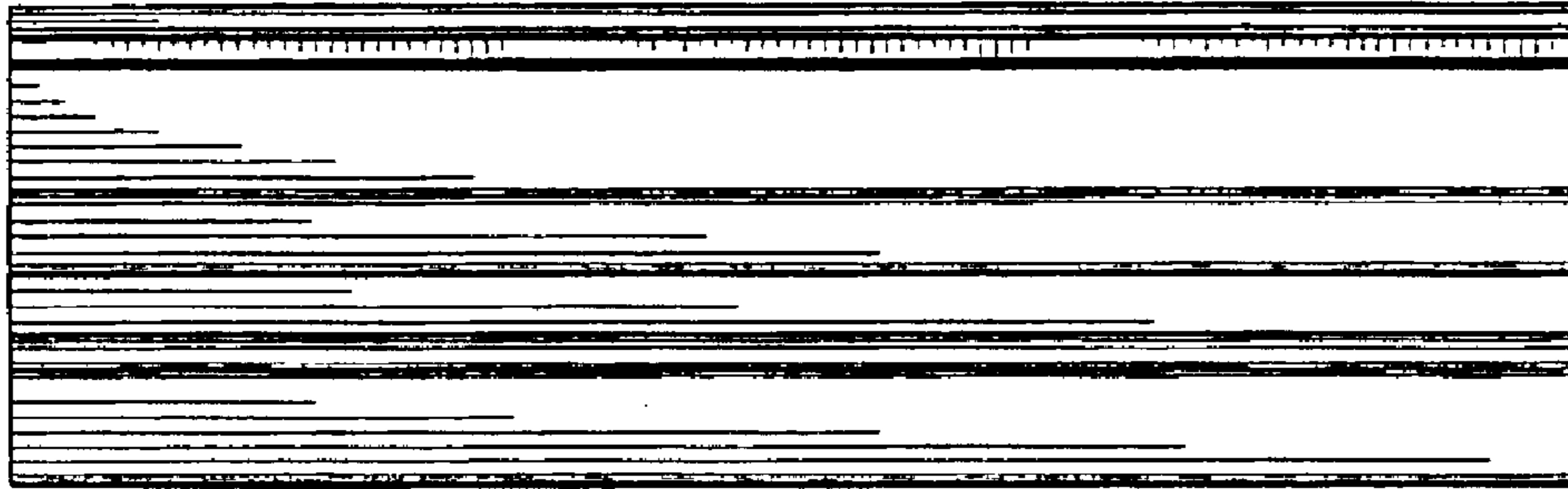


FIG. 2

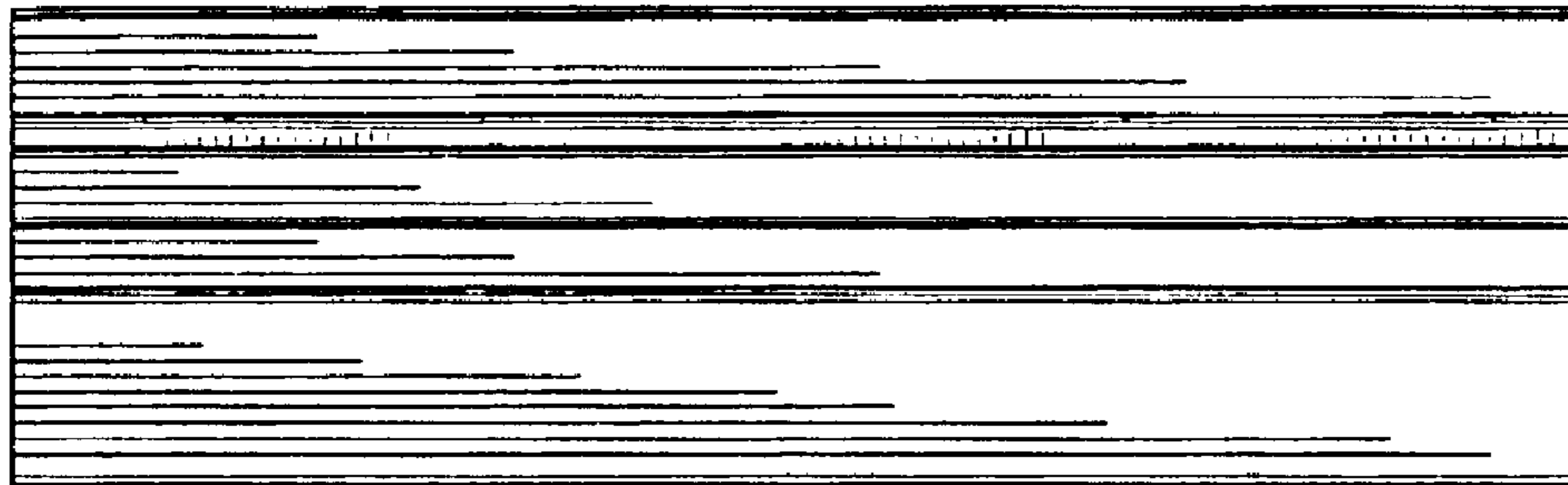


FIG. 3



FIG. 4