

US00D503465S

(12) **United States Design Patent**
Gustafsson

(10) **Patent No.:** **US D503,465 S**

(45) **Date of Patent:** **** Mar. 29, 2005**

(54) **TOILET**

(76) **Inventor:** **Maria Gustafsson**, 72 Sveavagen, 182
62 Djursholm (SE)

(**) **Term:** **14 Years**

(21) **Appl. No.:** **29/195,444**

(22) **Filed:** **Dec. 11, 2003**

(51) **LOC (7) Cl.** **23-02**

(52) **U.S. Cl.** **D23/301**

(58) **Field of Search** D23/270-271,
D23/273-274, 295, 299, 301, 303, 309;
4/663-664, 300, 329, 420, 449, DIG. 15,
443-446

(56) **References Cited**

U.S. PATENT DOCUMENTS

D455,202 S * 4/2002 Soulier D23/301

* cited by examiner

Primary Examiner—Robert A. Delehanty

(74) *Attorney, Agent, or Firm*—Thomas M. Small

(57) **CLAIM**

The ornamental design for a toilet, as shown and described.

DESCRIPTION

FIG. 1 is a front and right side perspective view of a toilet in accordance with the invention;

FIG. 2 is a top plan view thereof;

FIG. 3 is a left side elevational view thereof;

FIG. 4 is a front elevational view thereof;

FIG. 5 is a rear elevational view thereof;

FIG. 6 is a front and right side perspective view of a first alternative embodiment of the toilet in accordance with the invention;

FIG. 7 is a top plan view thereof;

FIG. 8 is a left side elevational view thereof;

FIG. 9 is a front elevational view thereof; and,

FIG. 10 is a rear elevational view thereof.

1 Claim, 6 Drawing Sheets

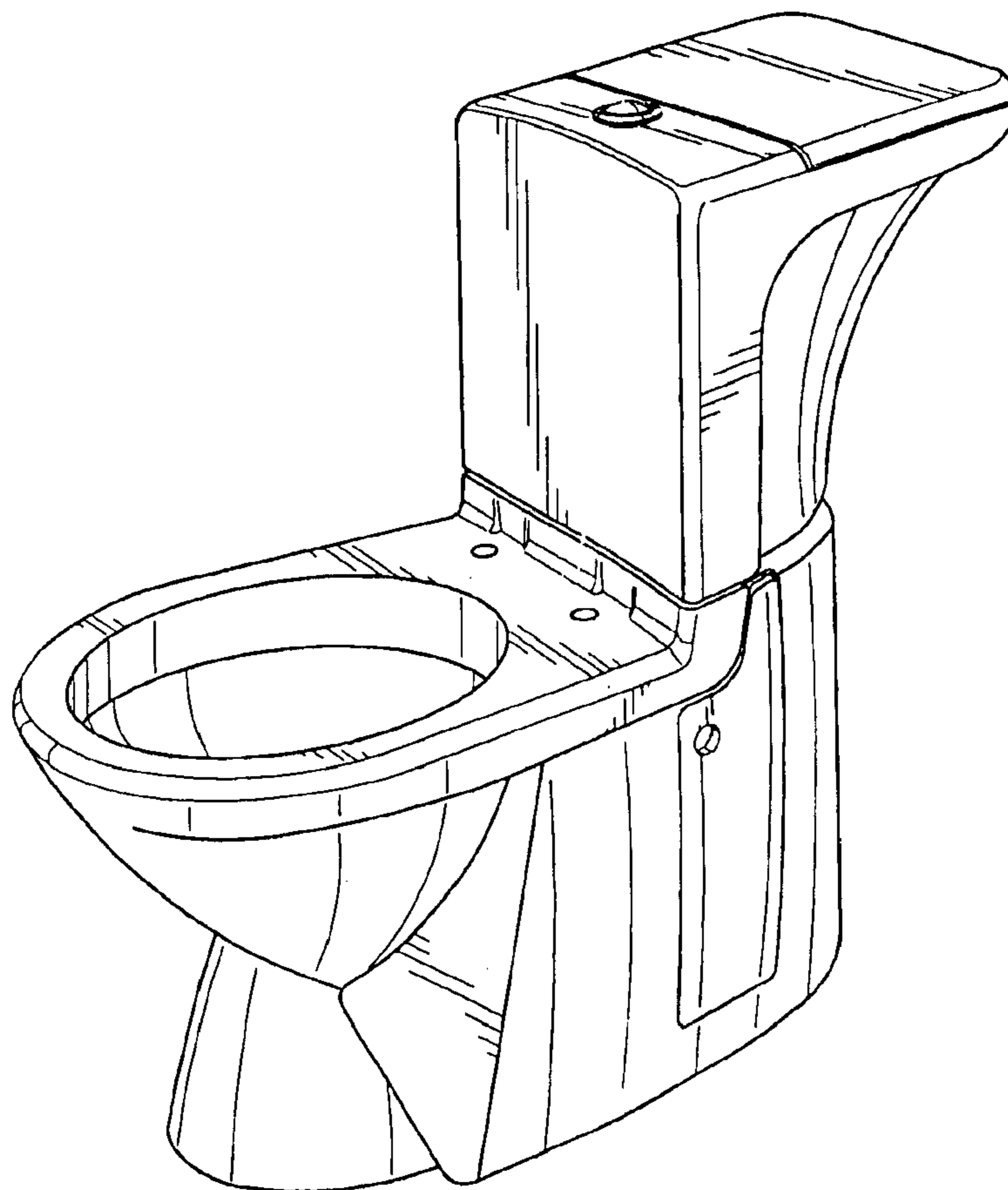


FIG. 1

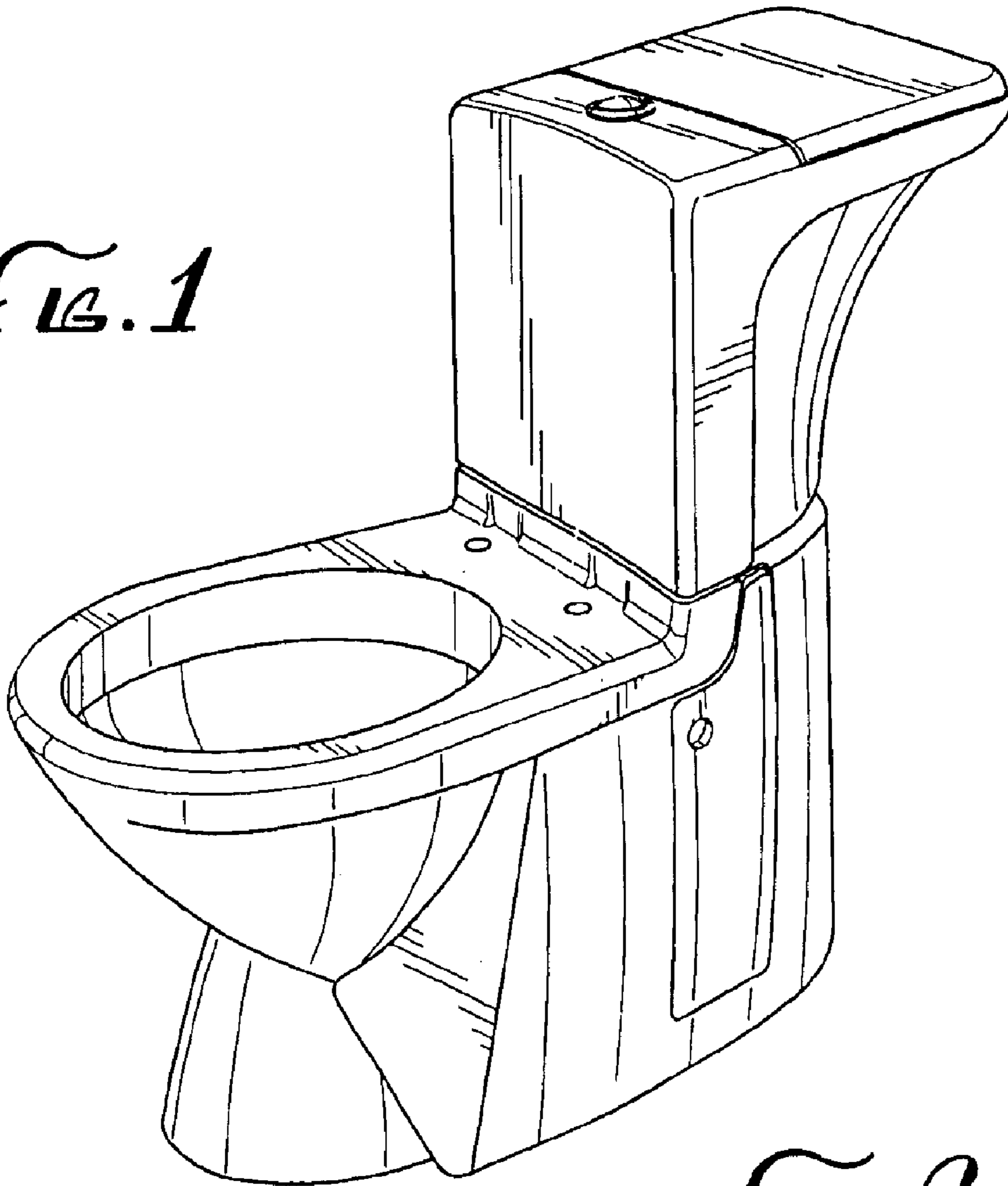
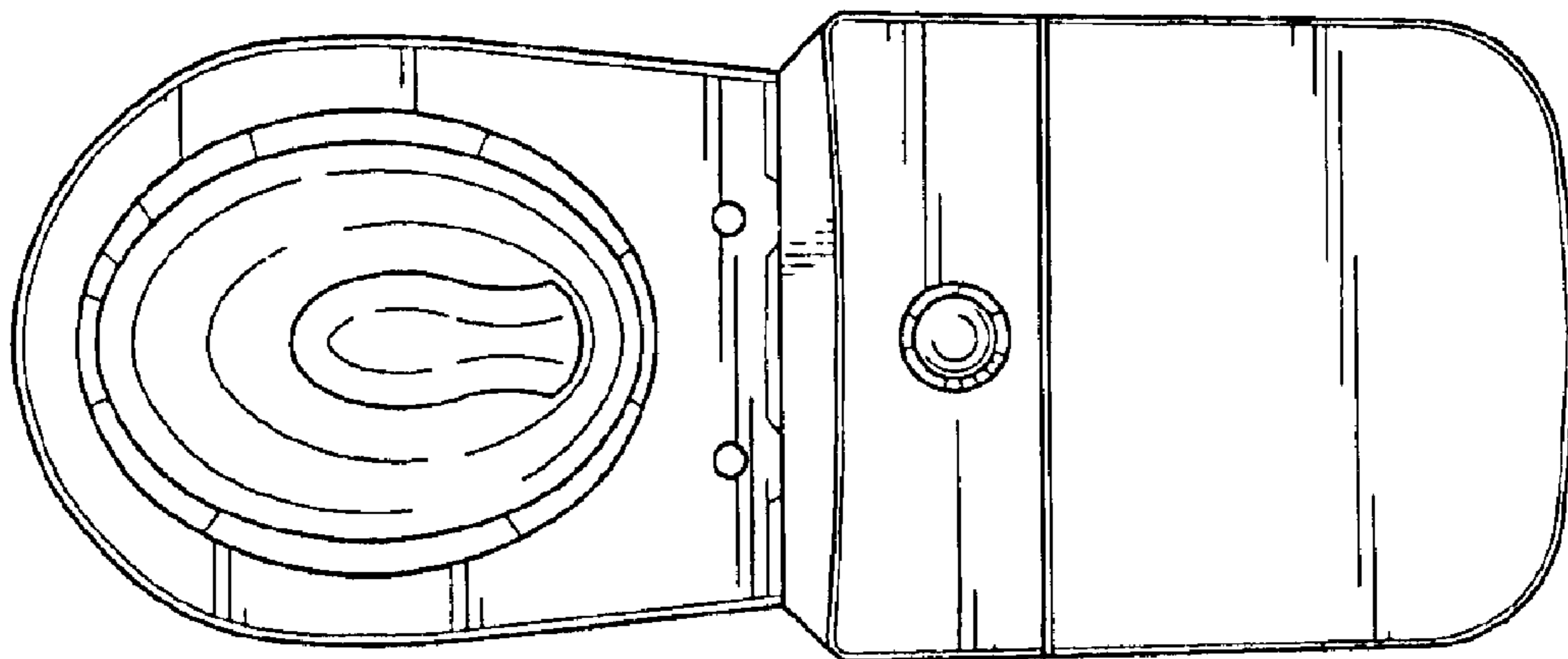


FIG. 2



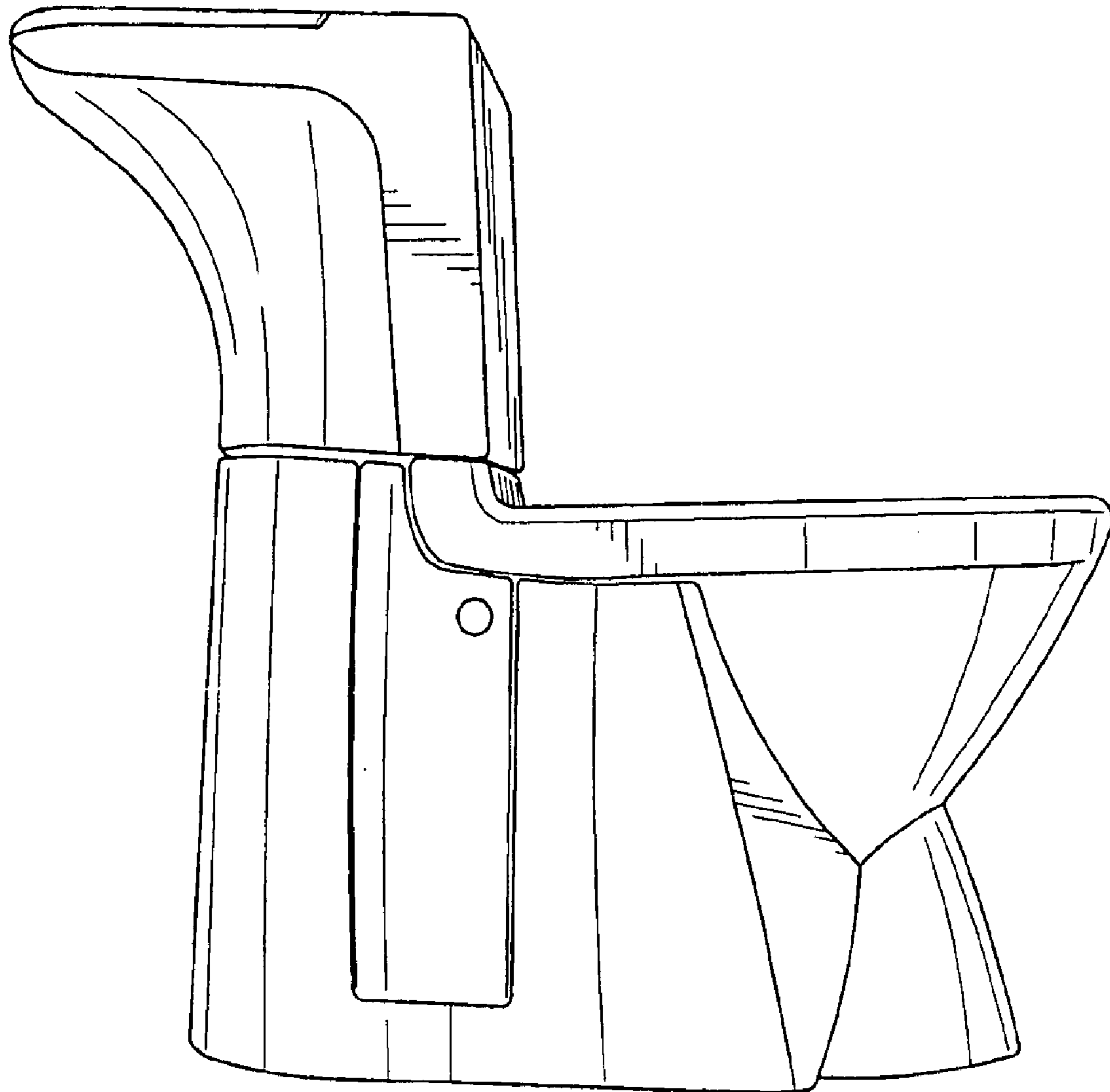


FIG. 3

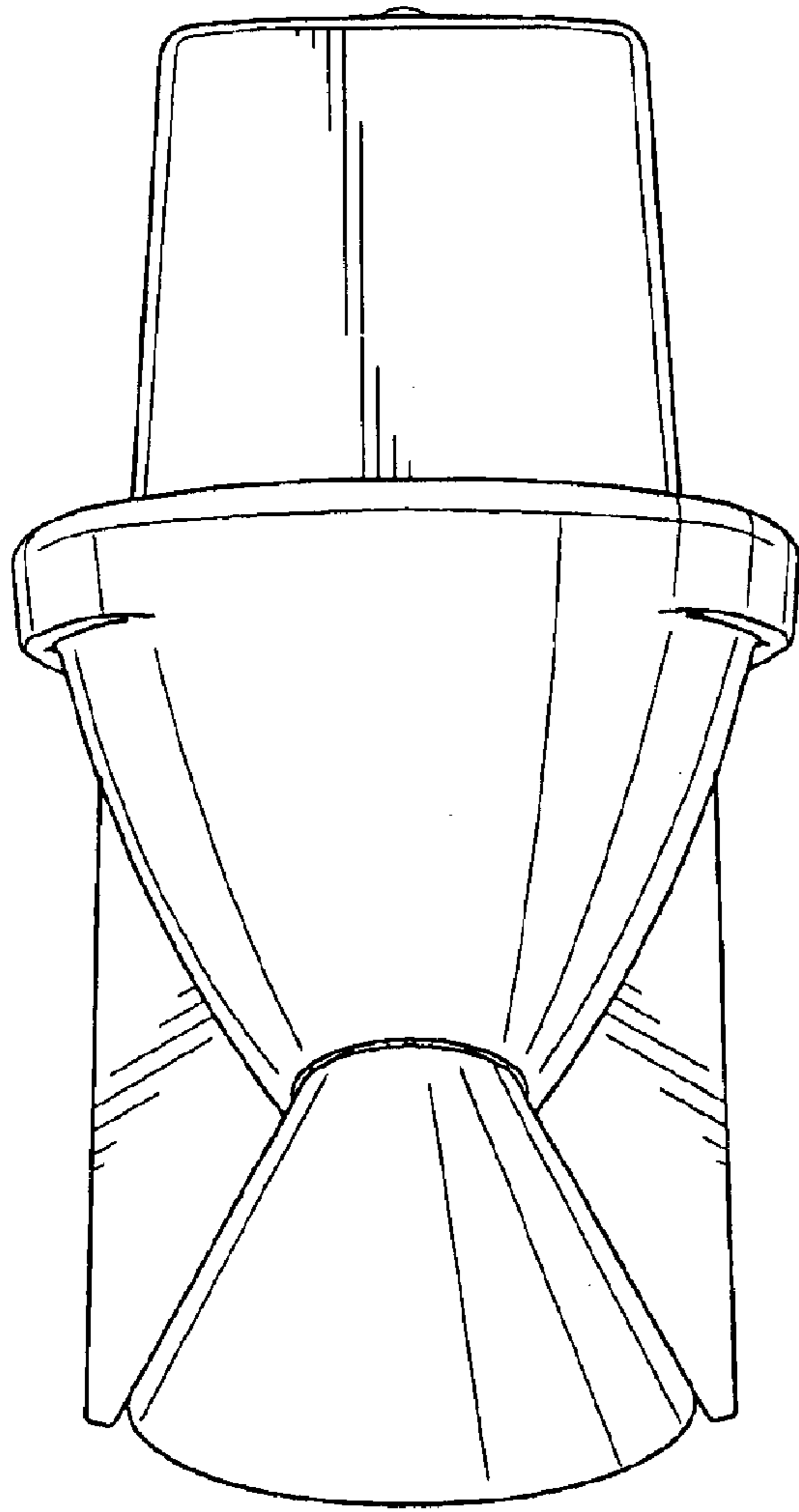


FIG. 4

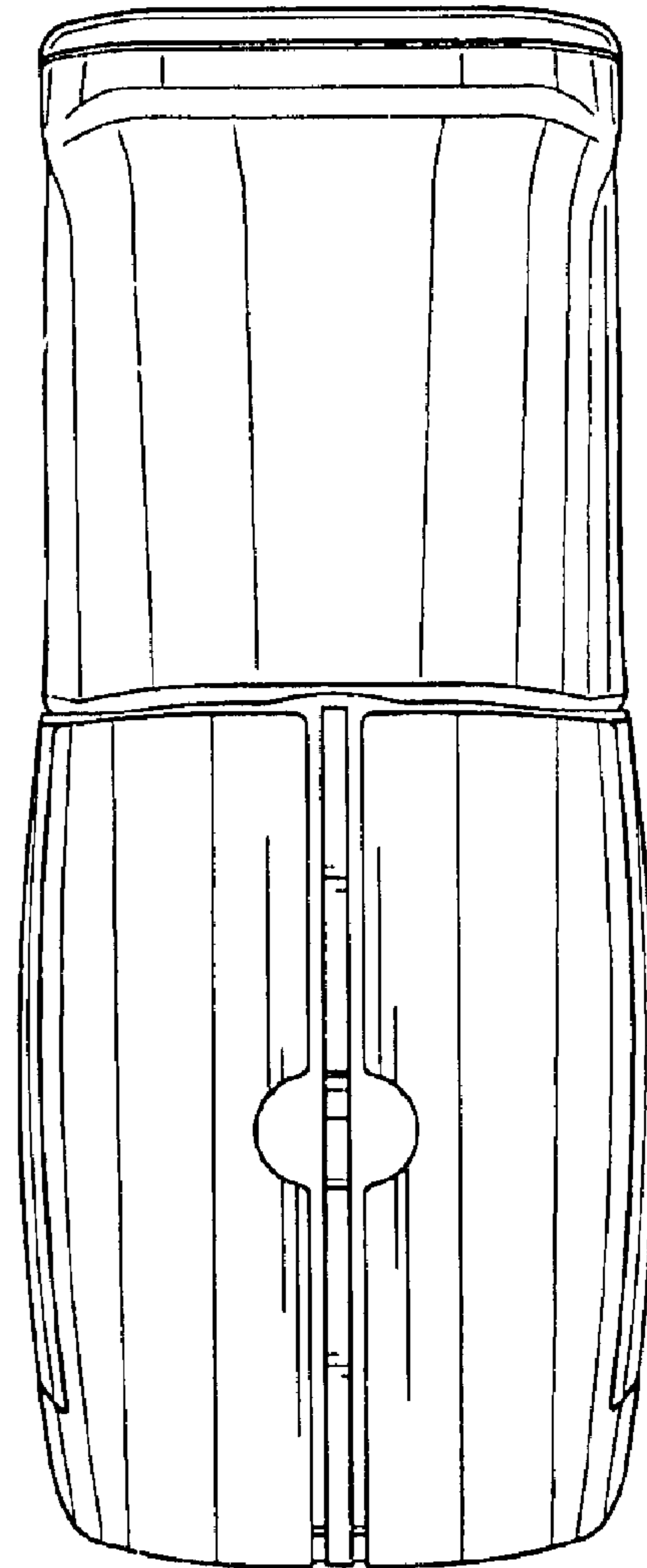


FIG. 5

FIG. 6

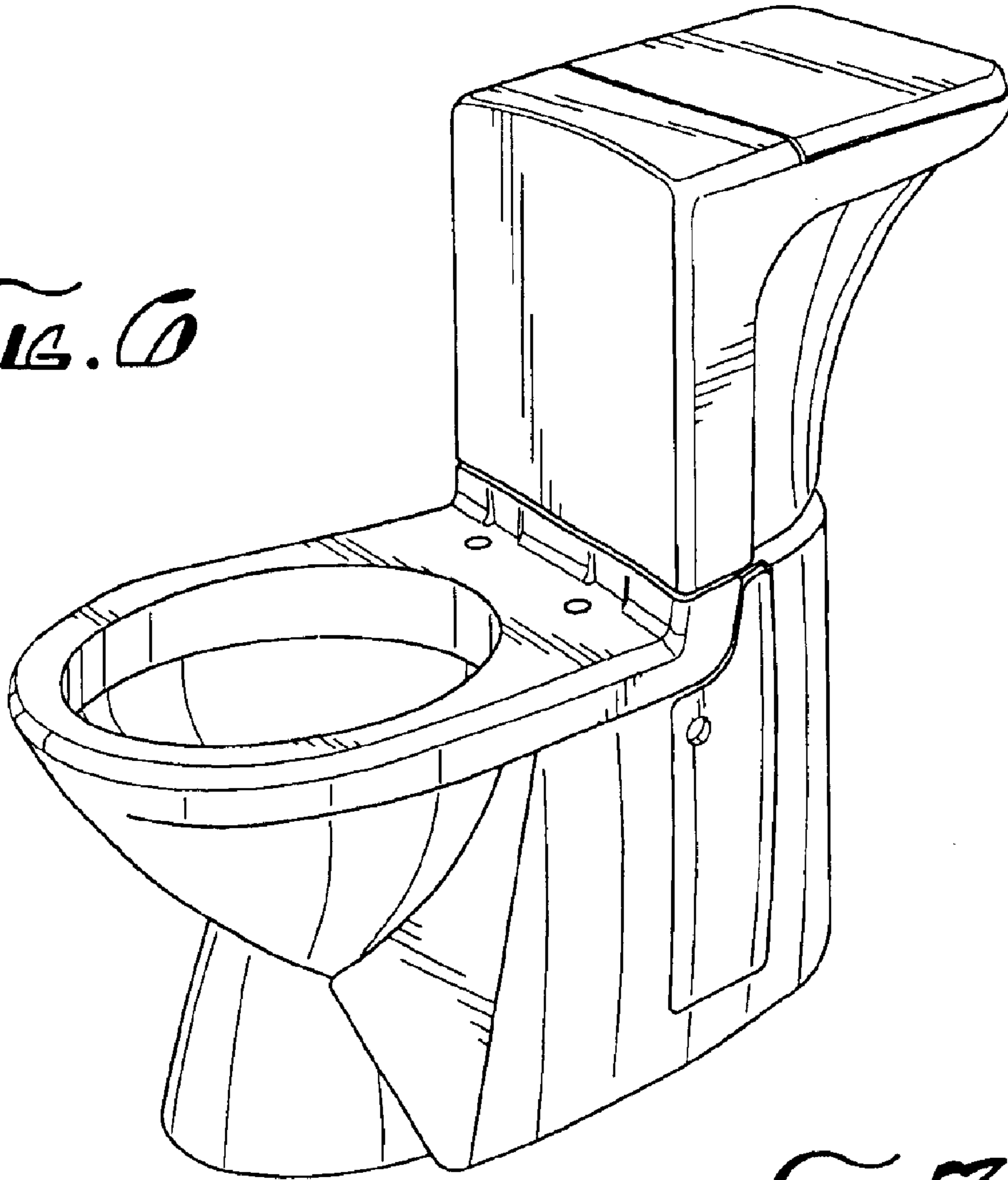
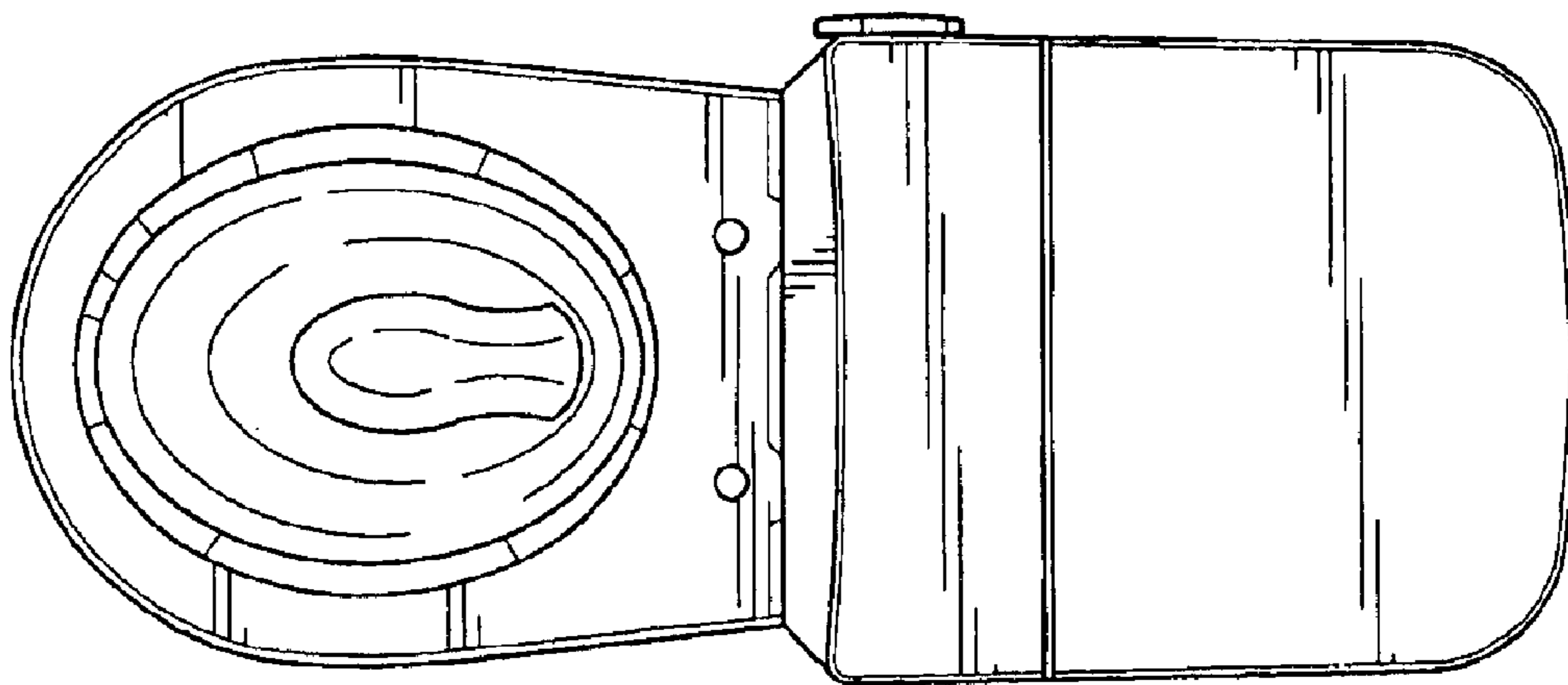


FIG. 7



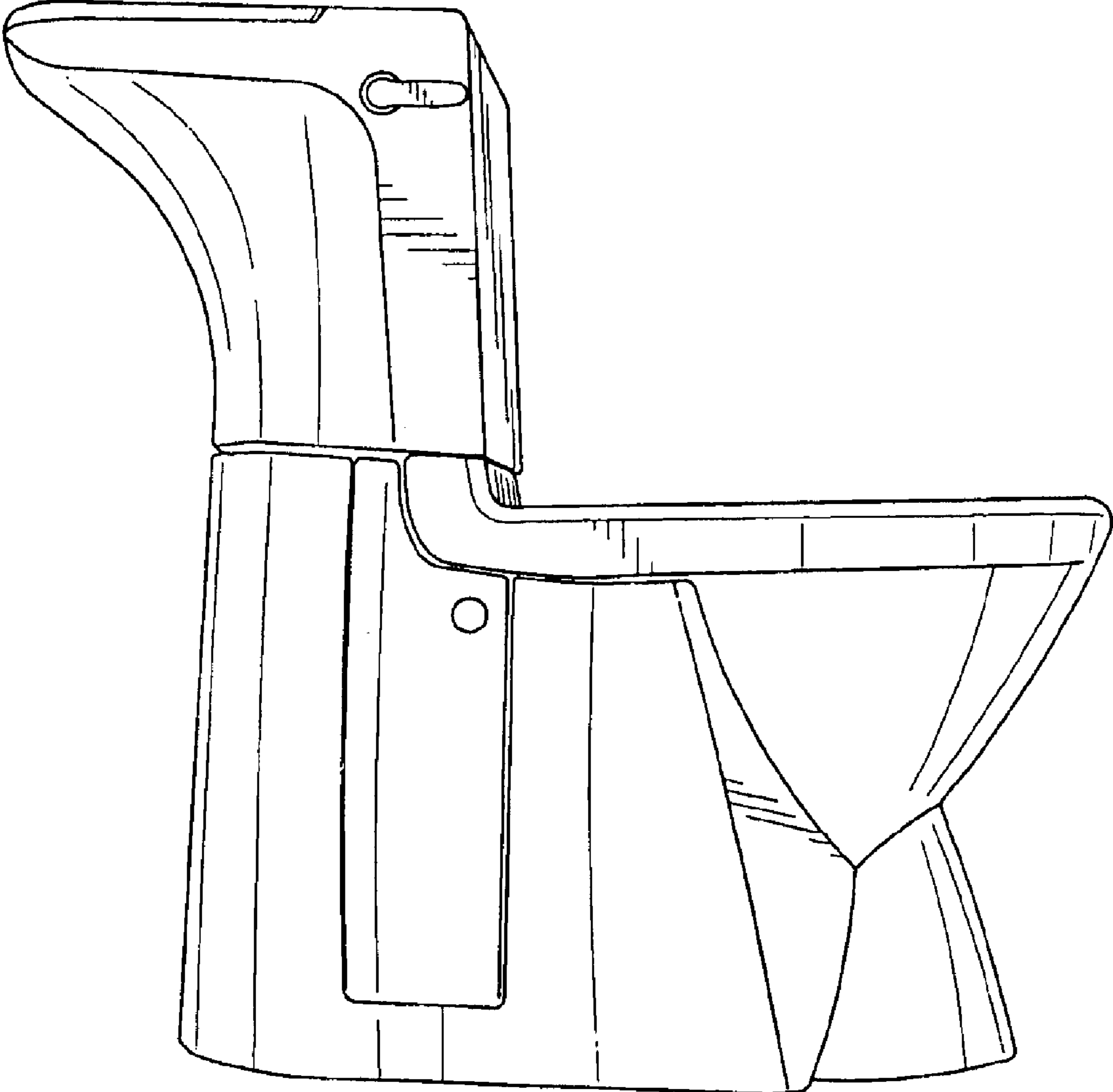


FIG. 8

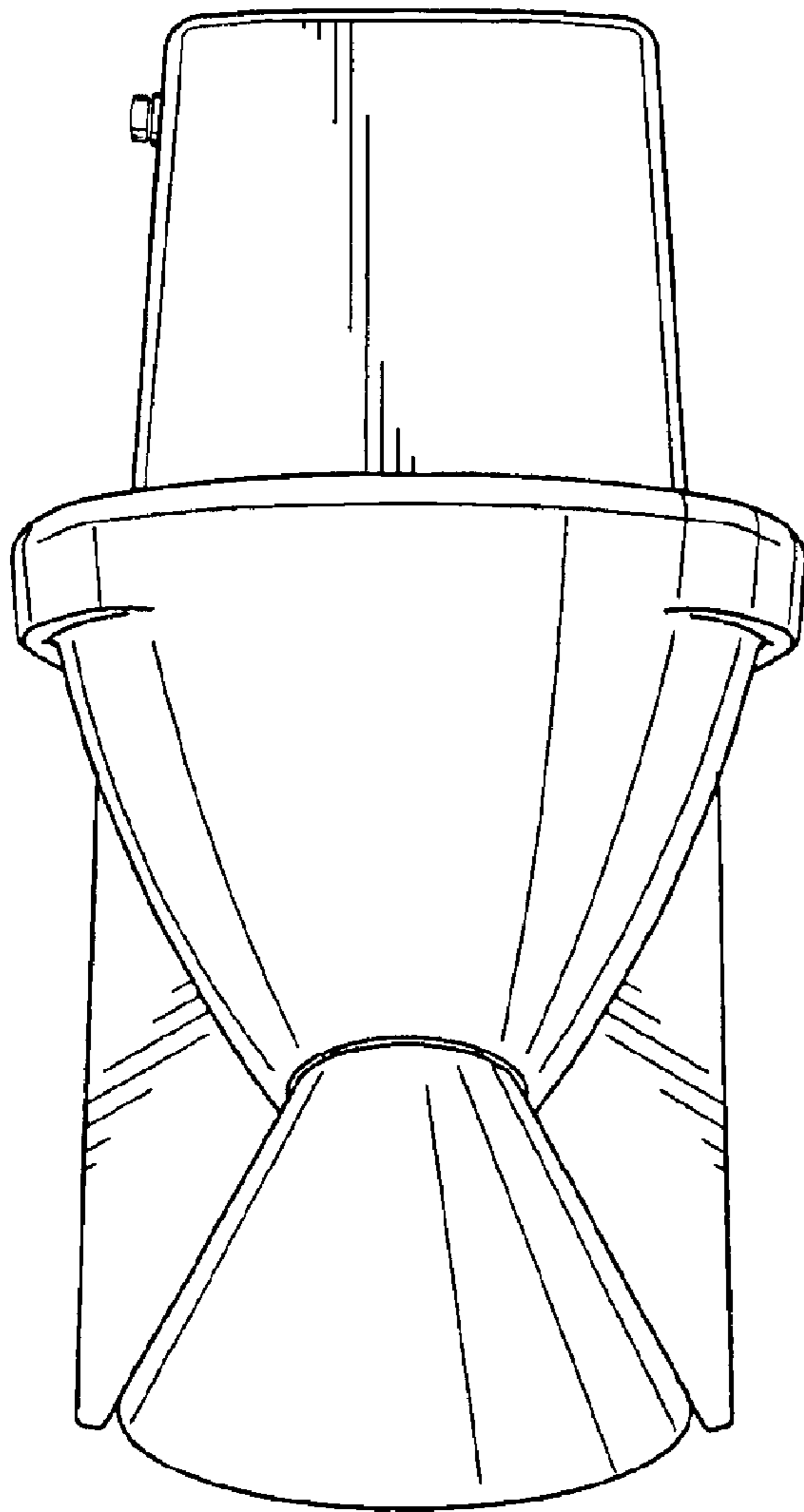


FIG. 9

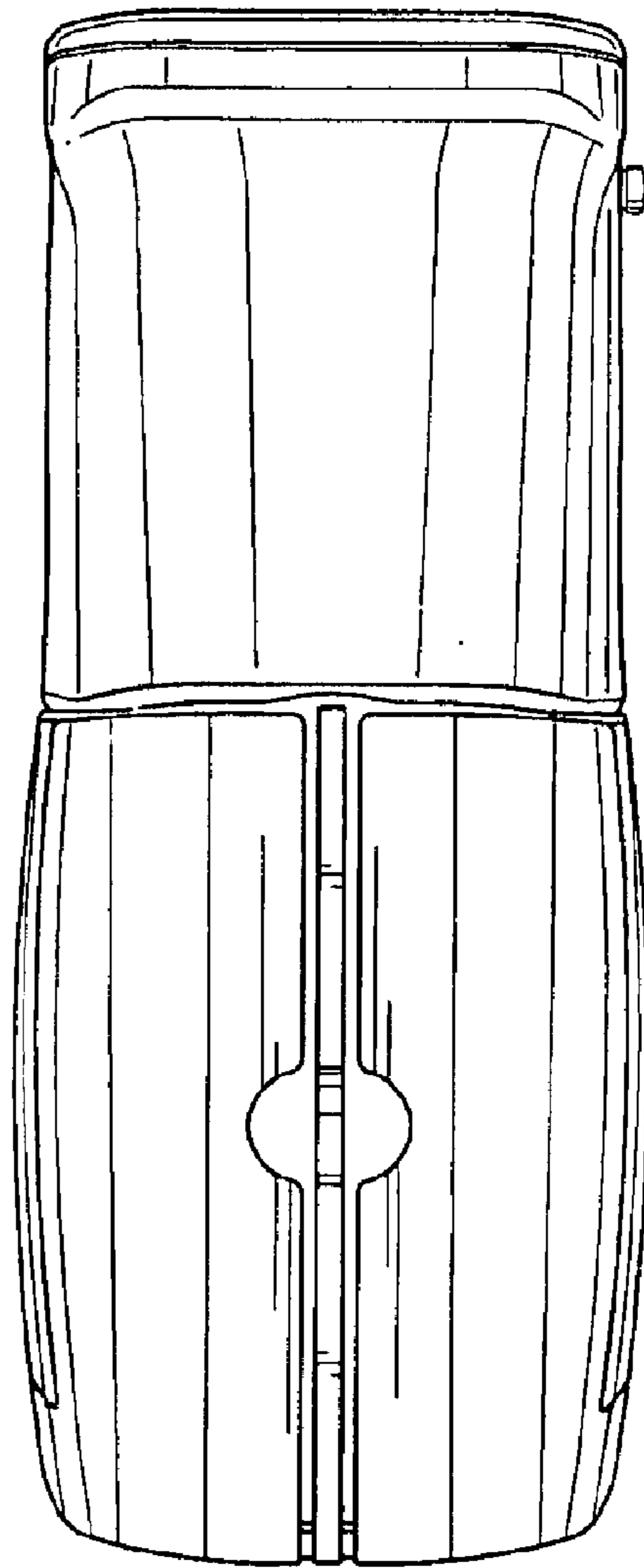


FIG. 10