

US00D503463S

(12) **United States Design Patent**
Hughes et al.

(10) **Patent No.:** **US D503,463 S**
(45) **Date of Patent:** **** Mar. 29, 2005**

(54) **SHOWER WAND**

(75) Inventors: **Aaron Hughes**, Fort Lauderdale, FL (US); **Jeff DeBoer**, Ann Arbor, MI (US); **Curt Bailey**, Birmingham, MI (US); **Noah Dangler**, Waterford, MI (US); **Dominic Daunter**, Howell, MI (US)

(73) Assignee: **Alsons Corporation**, Hillsdale, MI (US)

(**) Term: **14 Years**

(21) Appl. No.: **29/197,057**

(22) Filed: **Jan. 9, 2004**

(51) **LOC (7) Cl.** **23-01**

(52) **U.S. Cl.** **D23/229; D23/213**

(58) **Field of Search** **D23/213, 223, D23/226, 229, 230; 239/282, 283**

(56) **References Cited**

U.S. PATENT DOCUMENTS

5,499,767 A * 3/1996 Morand 239/383

D405,158 S * 2/1999 Hagen D23/213
D484,569 S * 12/2003 Douglas D23/213
D496,712 S * 9/2004 Schiller et al. D23/229

* cited by examiner

Primary Examiner—Robin V. Taylor

(74) *Attorney, Agent, or Firm*—Edgar A. Zarins; Lloyd D. Doigan

(57) **CLAIM**

The ornamental design for a shower wand, as shown and described.

DESCRIPTION

FIG. 1 is a perspective view of a shower wand showing our new design;

FIG. 2 is a right side view thereof, the opposite side being a mirror image of the side shown;

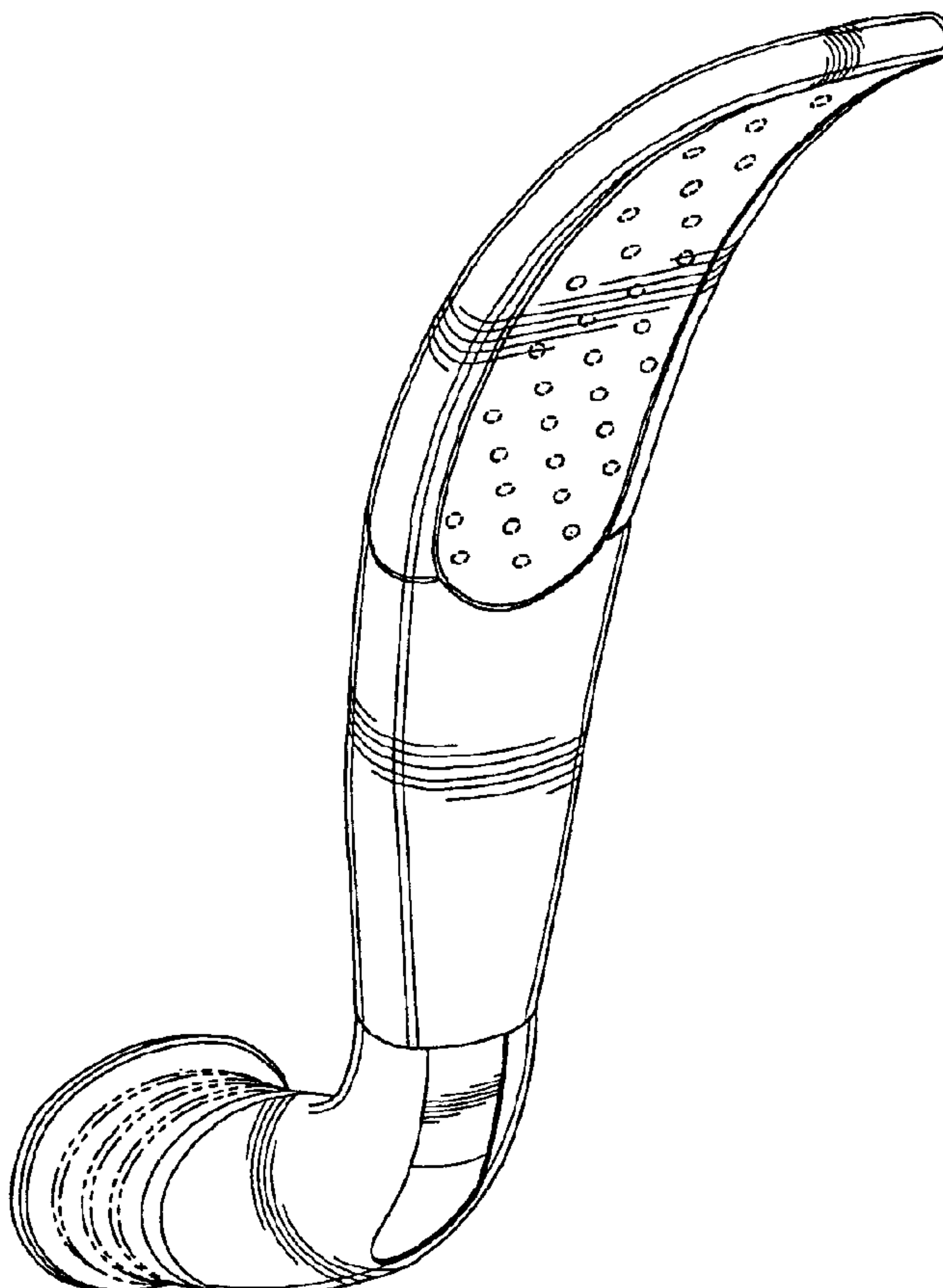
FIG. 3 is a top plan view thereof;

FIG. 4 is a front elevational view thereof; and,

FIG. 5 is a rear view thereof.

The broken line showing is for illustrative purposes only and forms no part of the claimed design.

1 Claim, 2 Drawing Sheets



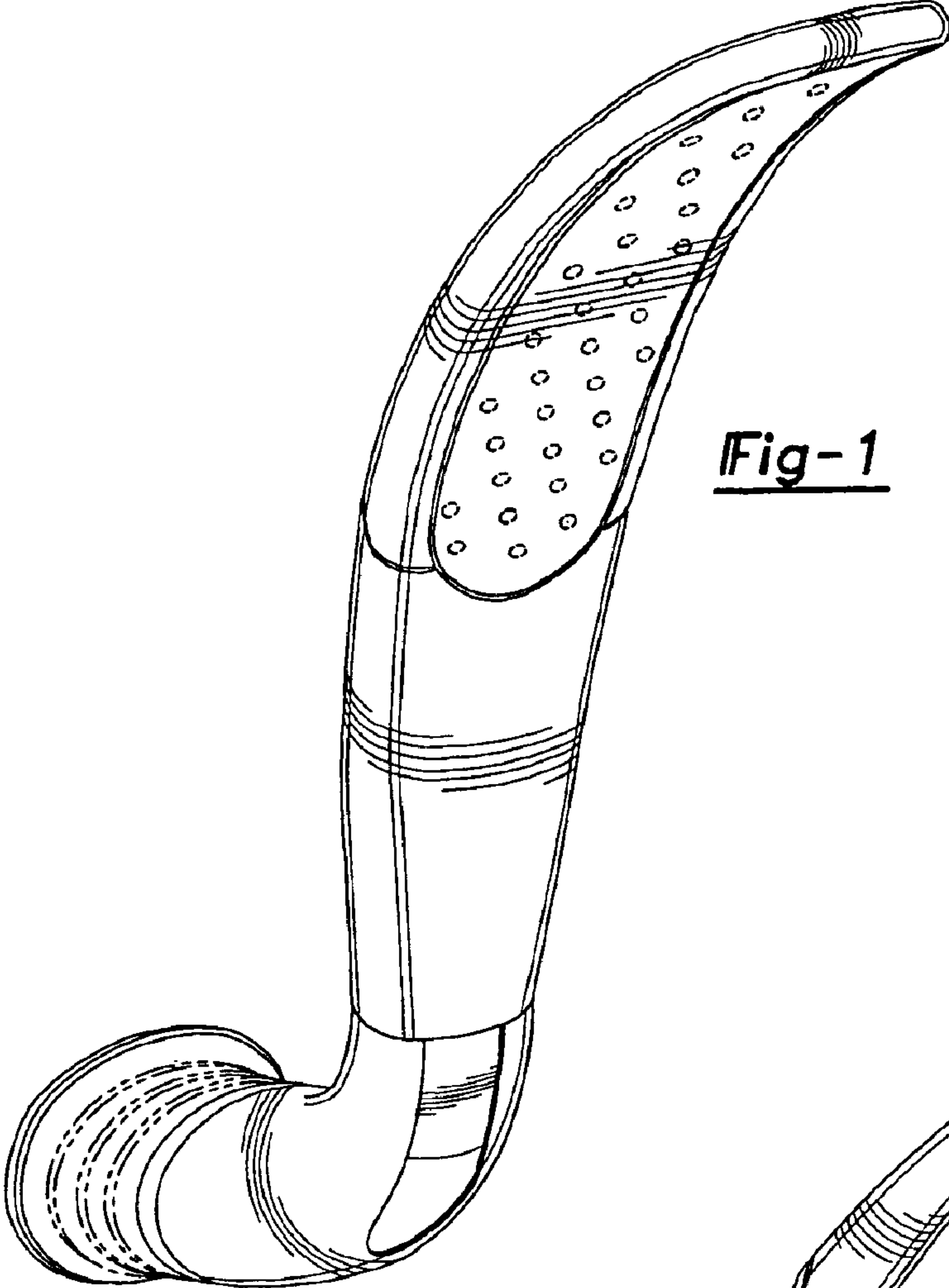


Fig-1

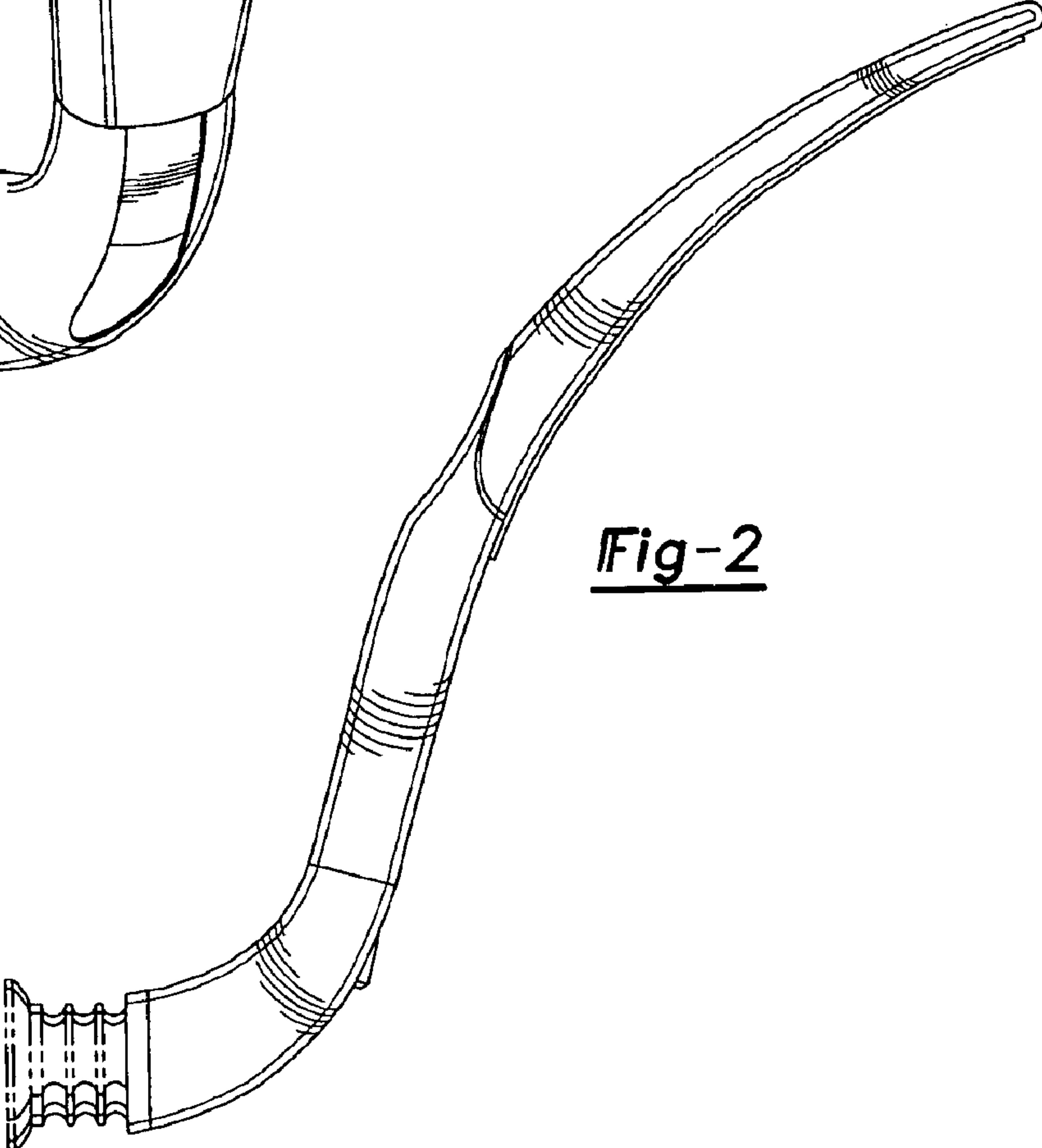


Fig-2

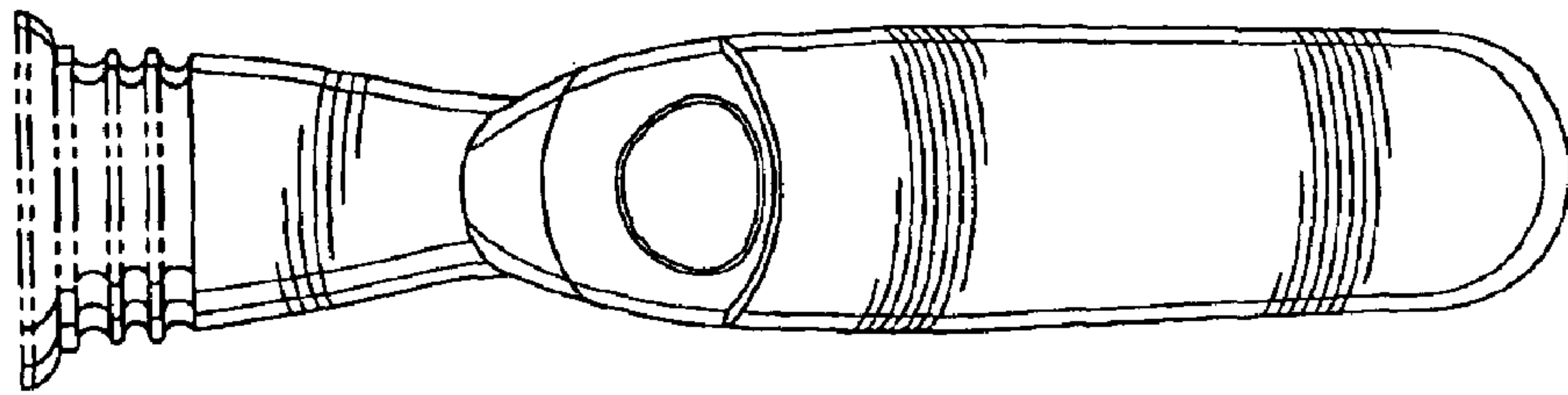


Fig-3

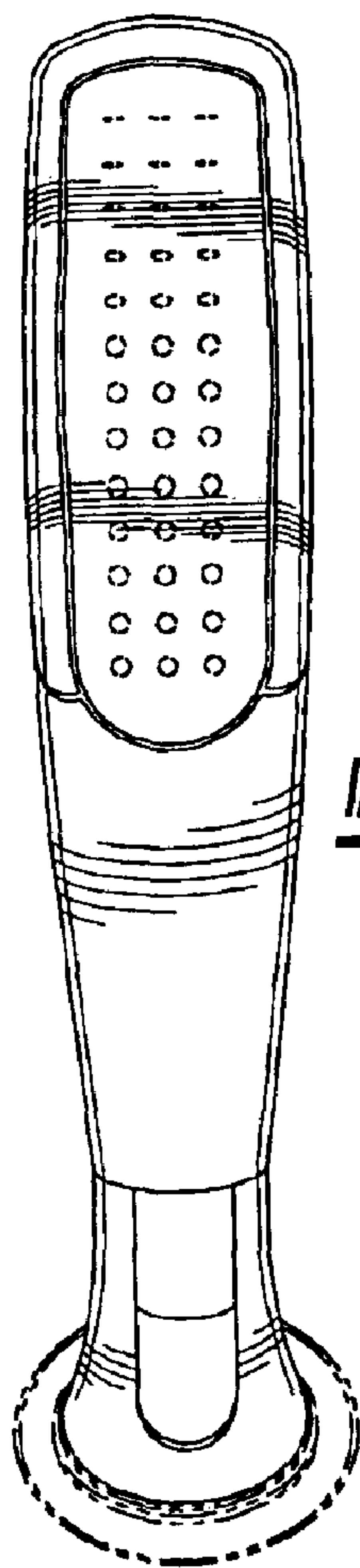


Fig-4

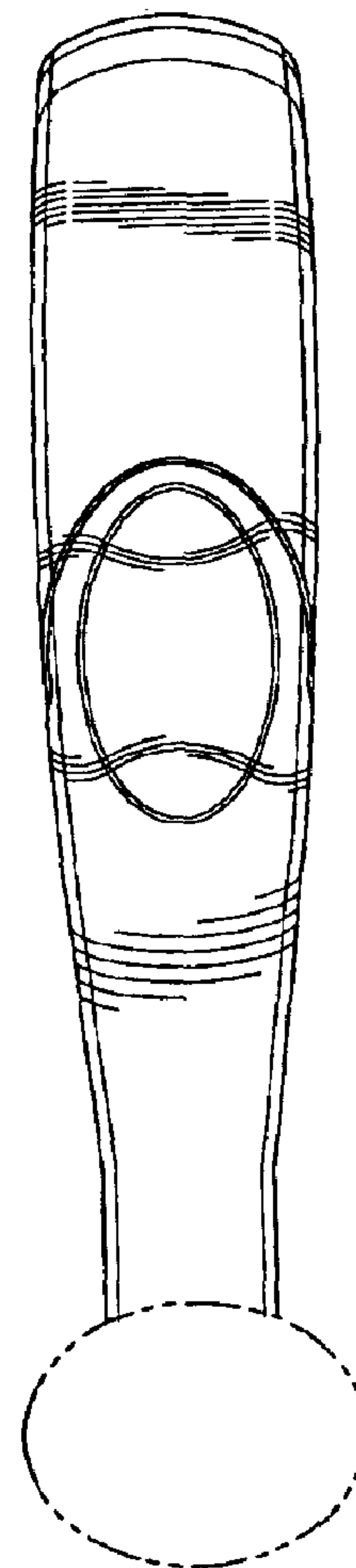


Fig-5