

US00D503460S

(12) **United States Design Patent**  
**Colligan et al.**

(10) **Patent No.:** **US D503,460 S**  
(45) **Date of Patent:** **\*\* Mar. 29, 2005**

(54) **SHOWERHEAD**

D366,307 S \* 1/1996 Doughty et al. .... D23/213

(75) Inventors: **Fran Colligan**, New Haven, CT (US);  
**Michael Wales**, Riverside, CT (US)

\* cited by examiner

(73) Assignee: **Alsons Corporation**, Hillsdale, MI  
(US)

*Primary Examiner*—Robin V. Taylor

(74) *Attorney, Agent, or Firm*—Edgar A. Zarins; Lloyd D. Doigan

(\*\*) Term: **14 Years**

(57) **CLAIM**

The ornamental design for a showerhead, as shown and described.

(21) Appl. No.: **29/194,860**

(22) Filed: **Dec. 2, 2003**

**DESCRIPTION**

(51) **LOC (7) Cl.** ..... **23-01**

FIG. 1 is a perspective view of a showerhead showing our new design;

(52) **U.S. Cl.** ..... **D23/229**

FIG. 2 is a right side view thereof;

(58) **Field of Search** ..... D23/213, 229,

FIG. 3 is a bottom plan view thereof;

D23/230; 239/282, 283, 587.1; 4/615

FIG. 4 is a top plan view thereof;

FIG. 5 is a left side view thereof;

(56) **References Cited**

FIG. 6 is a front elevational view thereof; and,

**U.S. PATENT DOCUMENTS**

FIG. 7 is a rear view thereof.

D217,606 S \* 5/1970 Young ..... D23/229

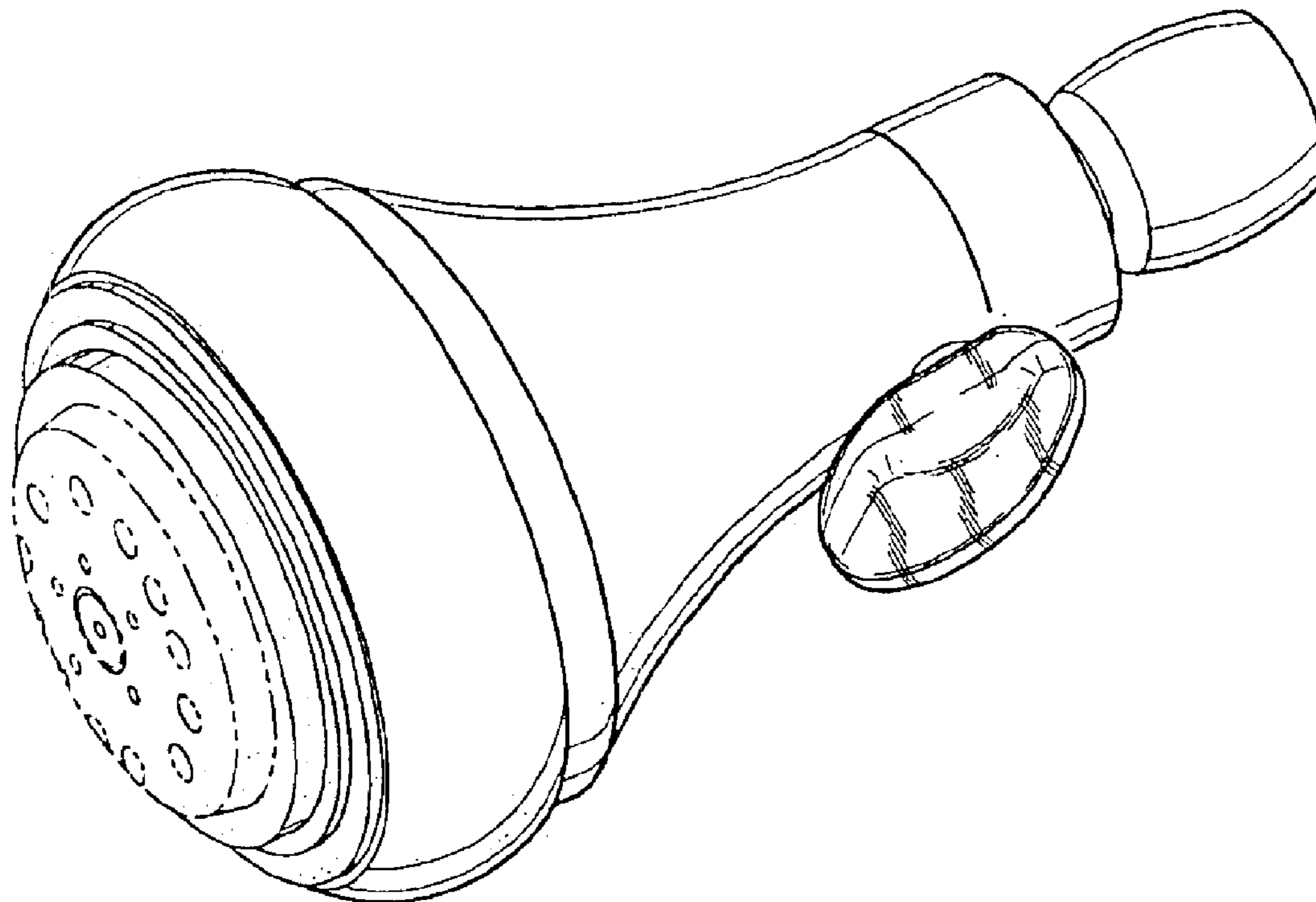
The broken line showing is for illustrative purposes only and forms no part of the claimed design.

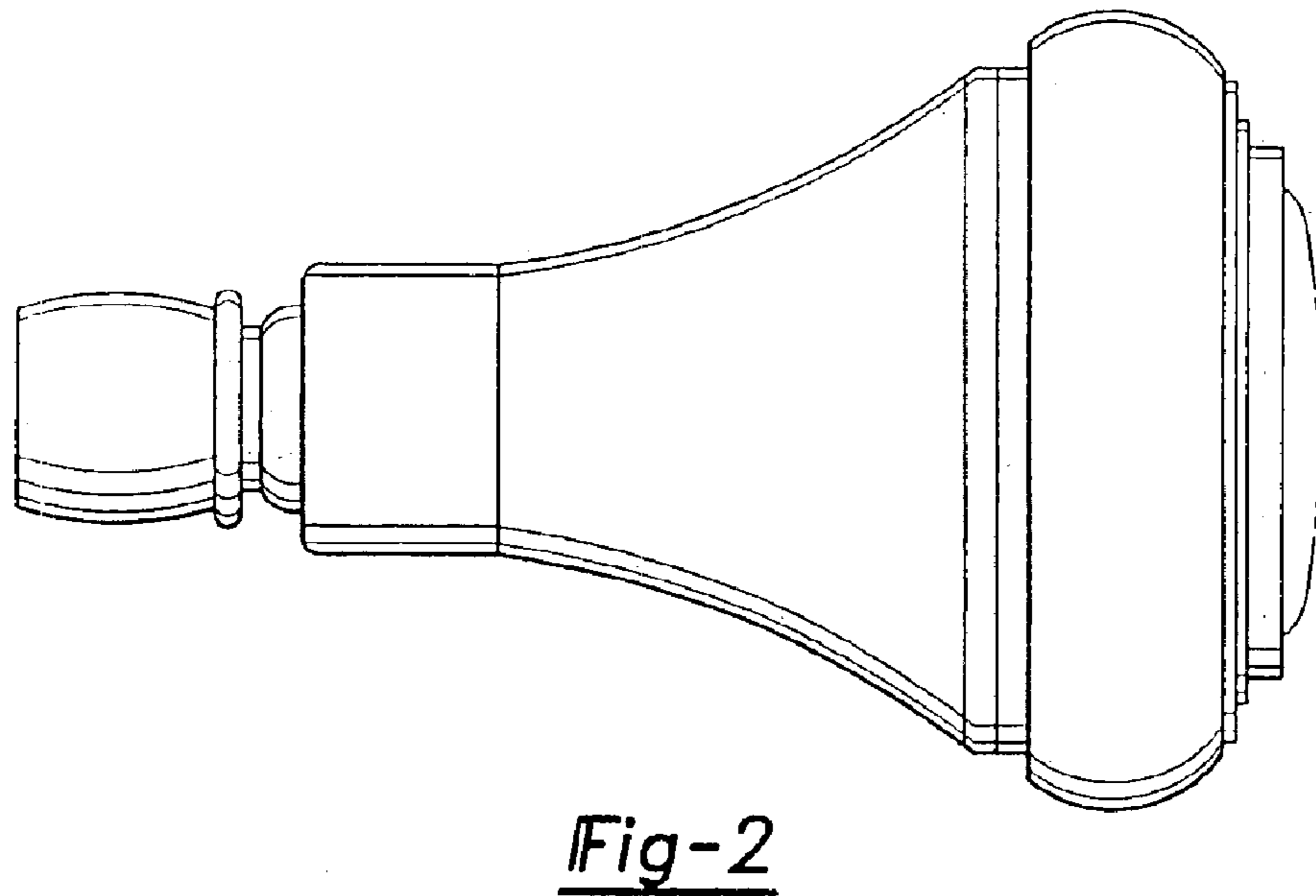
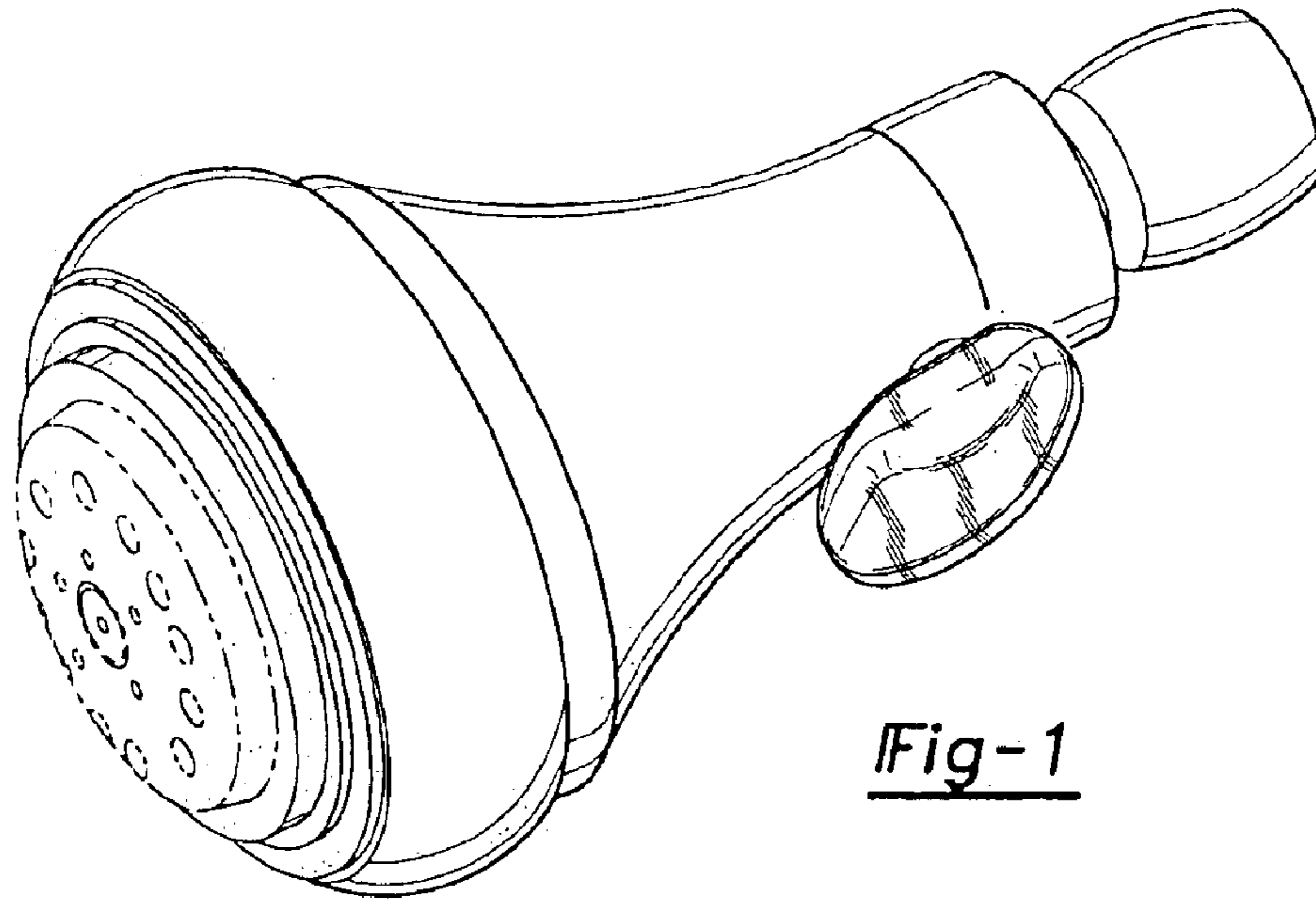
D282,198 S \* 1/1986 Shames et al. .... D23/229

D295,889 S \* 5/1988 Haug et al. .... D23/229

D348,718 S \* 7/1994 Garrison ..... D23/213

**1 Claim, 3 Drawing Sheets**





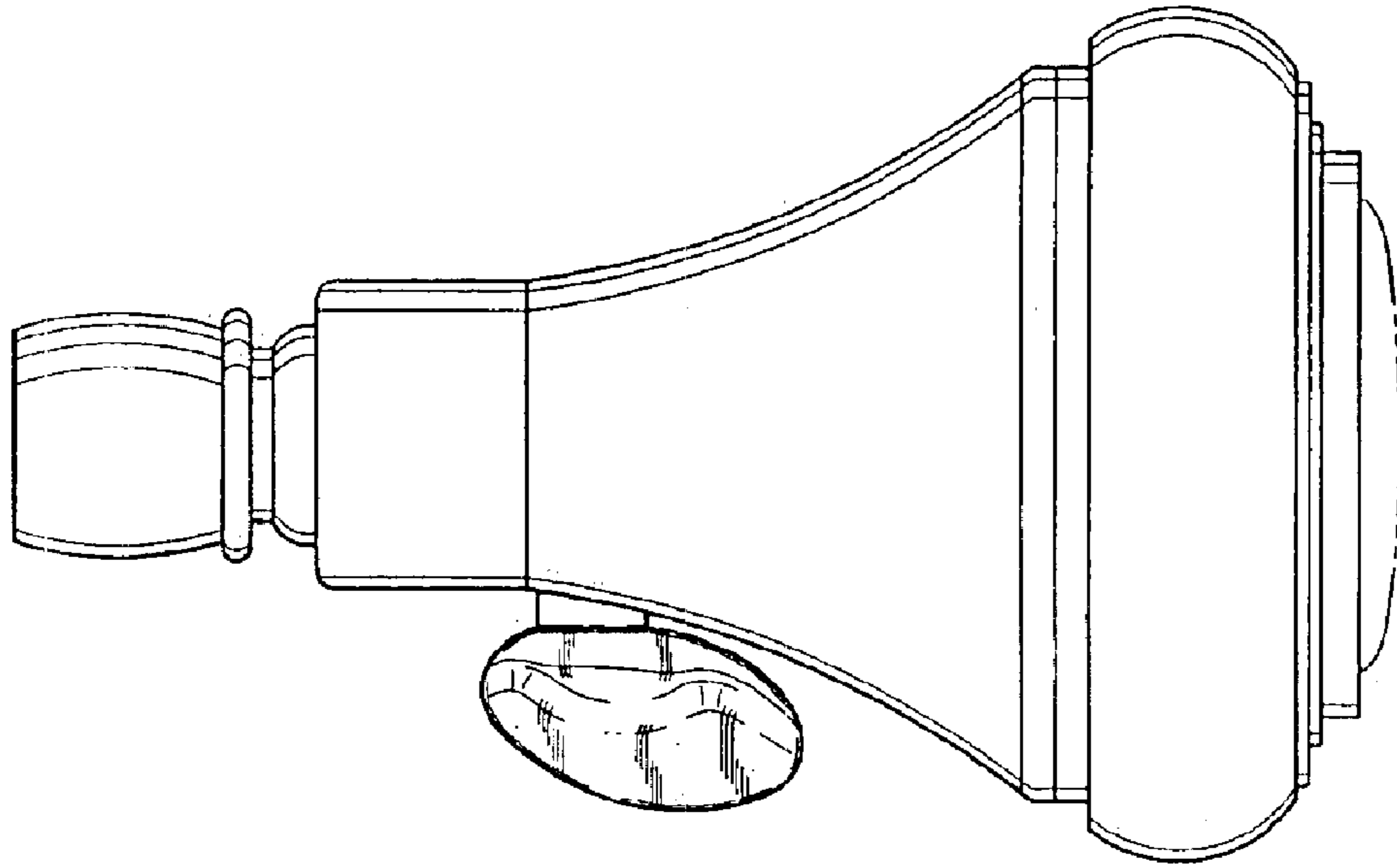


Fig-3

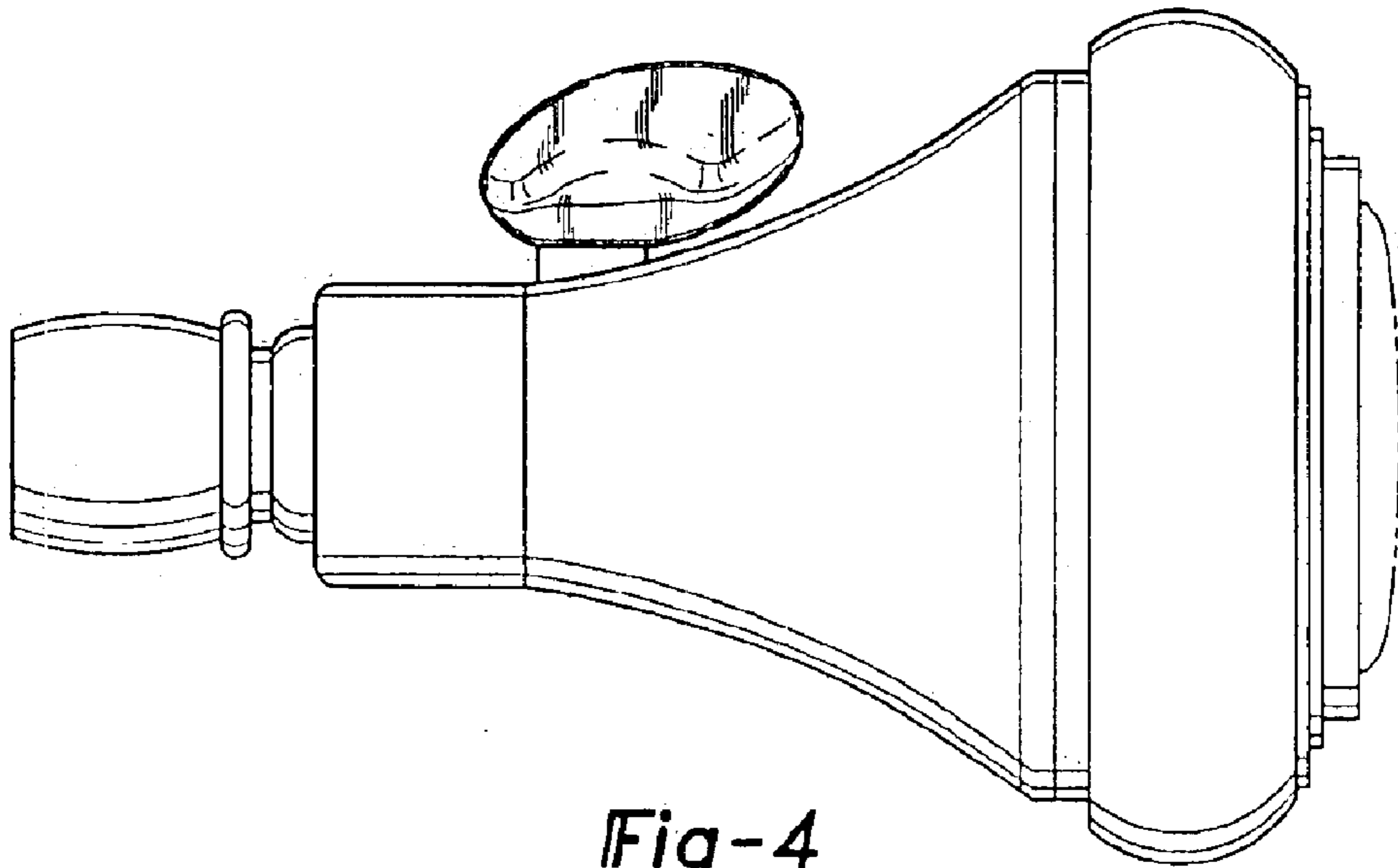


Fig-4

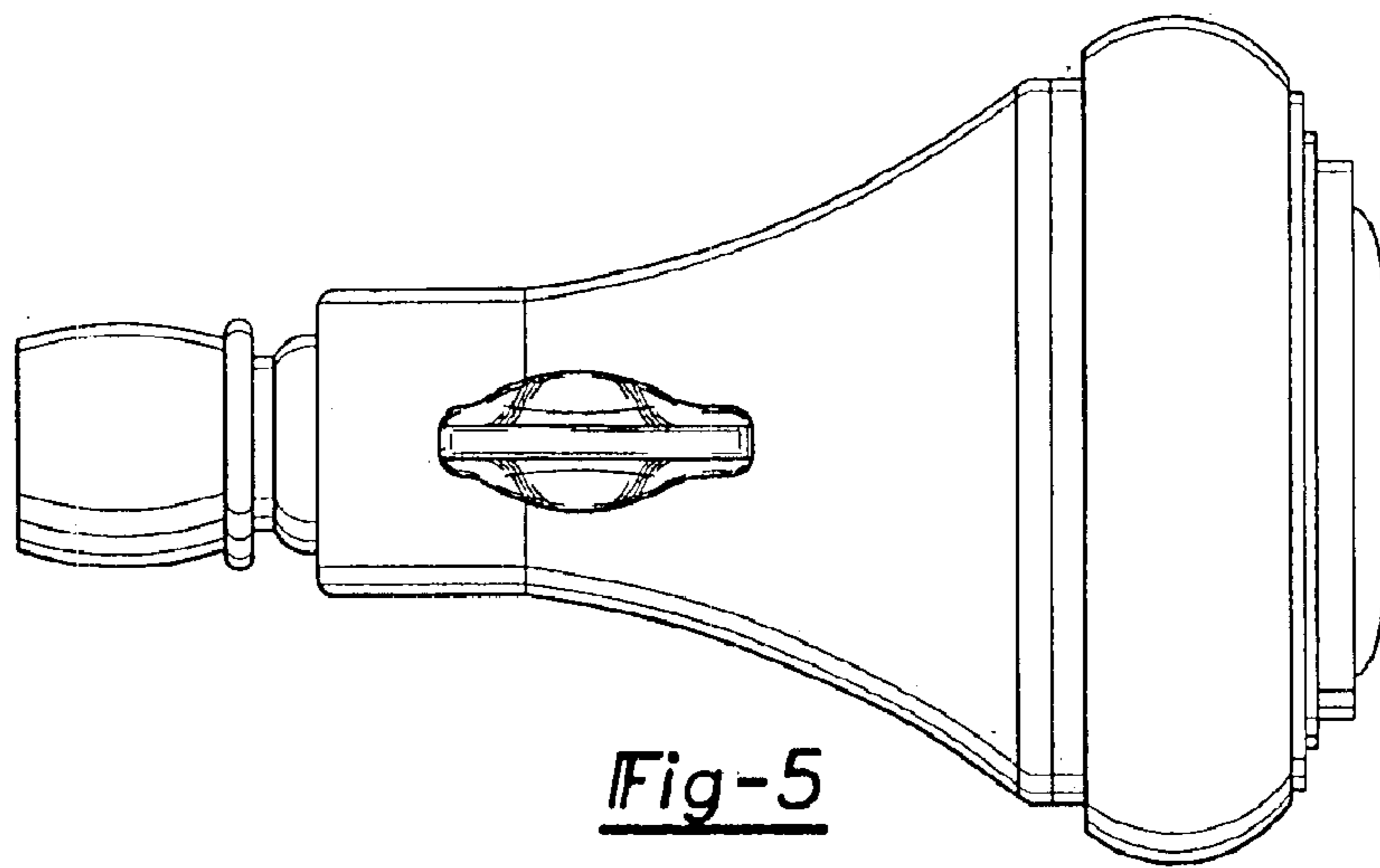


Fig-5

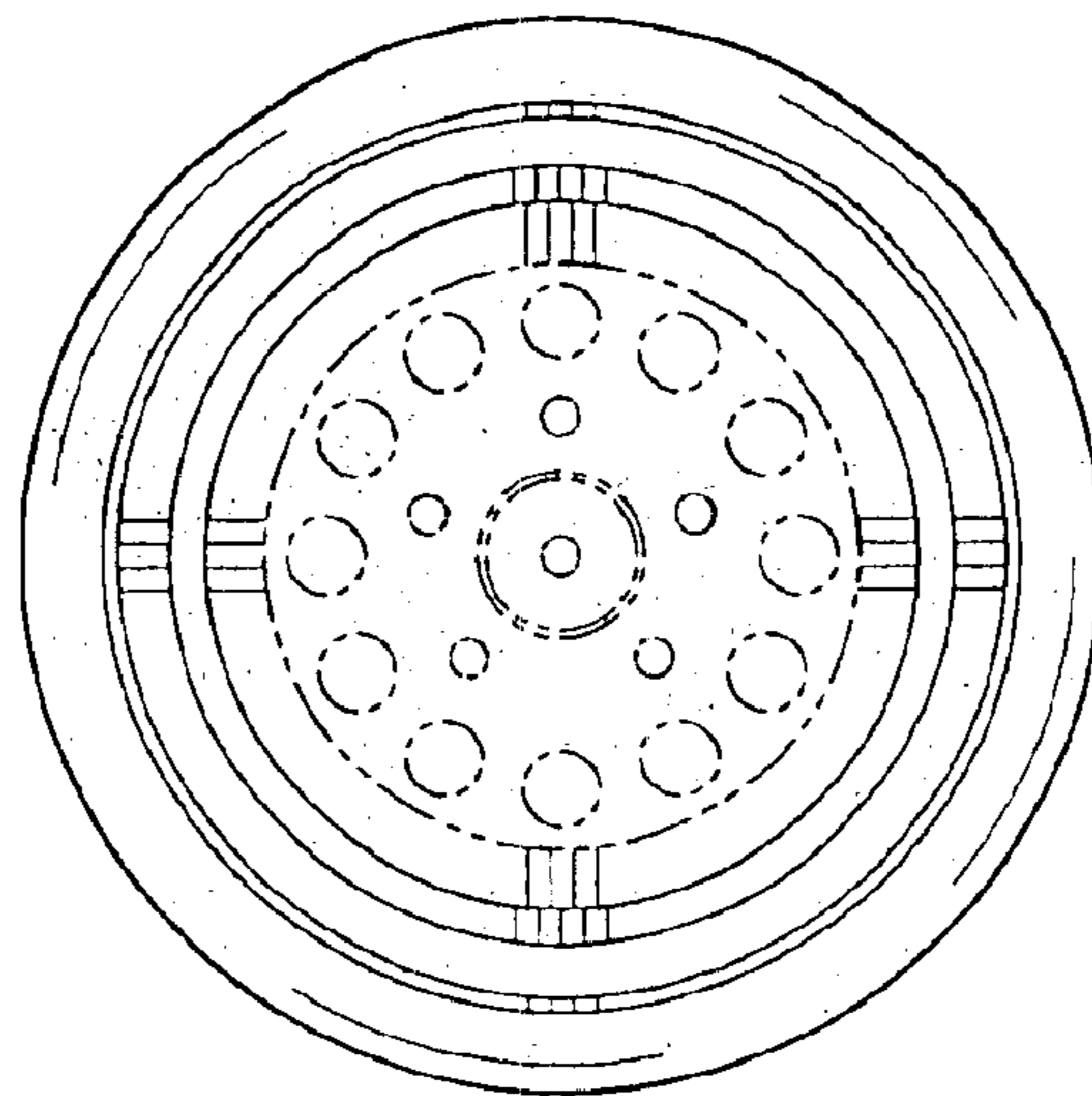


Fig-6

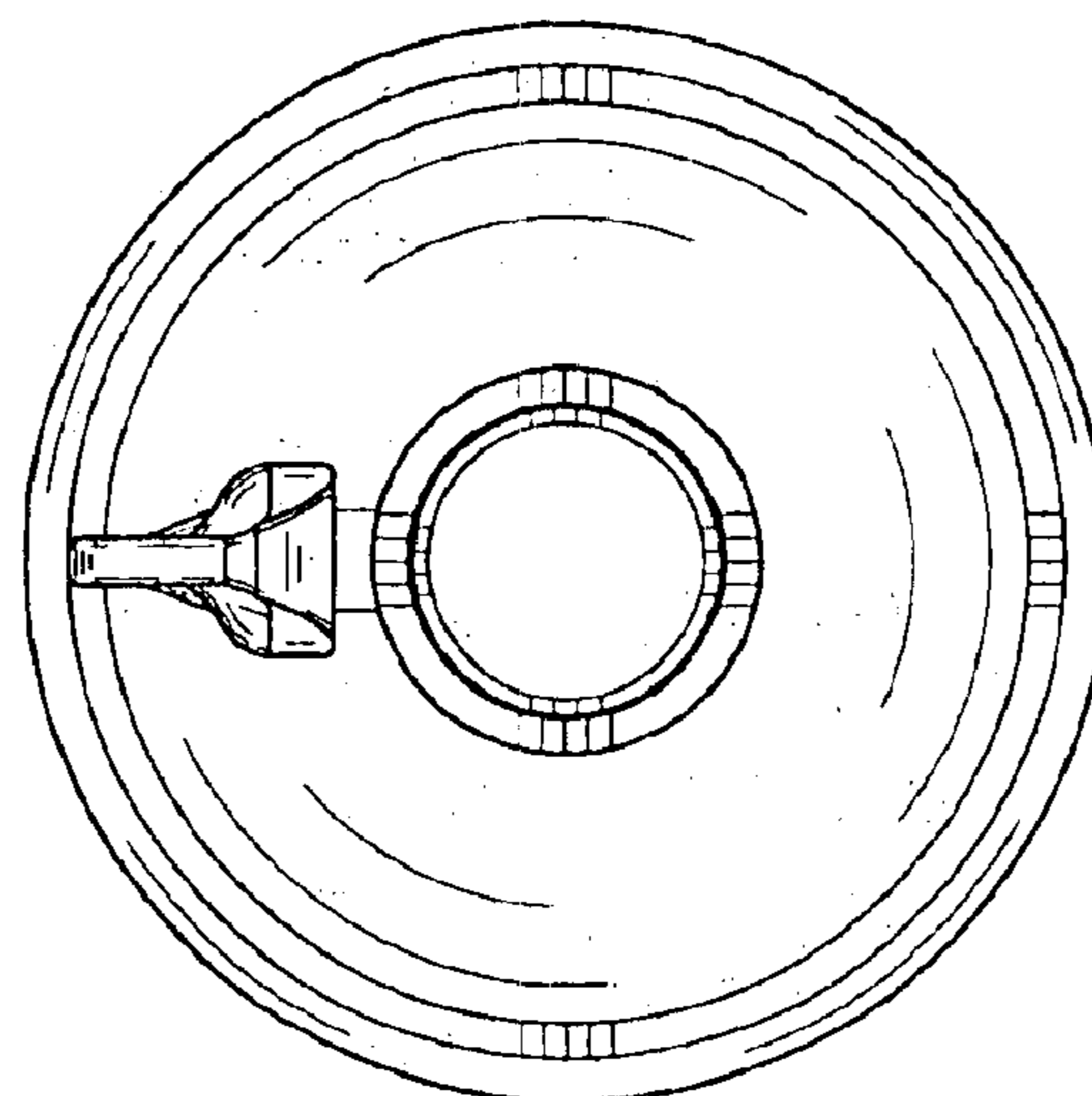


Fig-7