

US00D503455S

(12) **United States Design Patent**
Otero

(10) **Patent No.:** **US D503,455 S**
(45) **Date of Patent:** **** Mar. 29, 2005**

(54) **HAND SHOWER**

(75) Inventor: **Federico G. Otero**, Carmel, IN (US)

(73) Assignee: **Masco Corporation of Indiana**,
Indianapolis, IN (US)

(**) Term: **14 Years**

(21) Appl. No.: **29/195,516**

(22) Filed: **Dec. 12, 2003**

(51) **LOC (7) Cl.** **23-01**

(52) **U.S. Cl.** **D23/223**

(58) **Field of Search** D23/213, 223,
D23/226, 229, 230; 239/394, 282, 283

(56) **References Cited**

U.S. PATENT DOCUMENTS

D457,598 S	*	5/2002	Storti et al.	D23/223
D470,219 S	*	2/2003	Schweitzer	D23/223
D489,793 S	*	5/2004	Haug et al.	D23/223

* cited by examiner

Primary Examiner—Robin V. Taylor
(74) *Attorney, Agent, or Firm*—Kwadjo Adusei-Poku;
Lloyd D. Doigan

(57) **CLAIM**

The ornamental design for a hand shower, as shown and described.

DESCRIPTION

FIG. 1 is a rear perspective view of a hand shower showing my design;

FIG. 2 is a front perspective view thereof;

FIG. 3 is a left side elevational view thereof;

FIG. 4 is a rear elevational view thereof;

FIG. 5 is a front elevational view thereof;

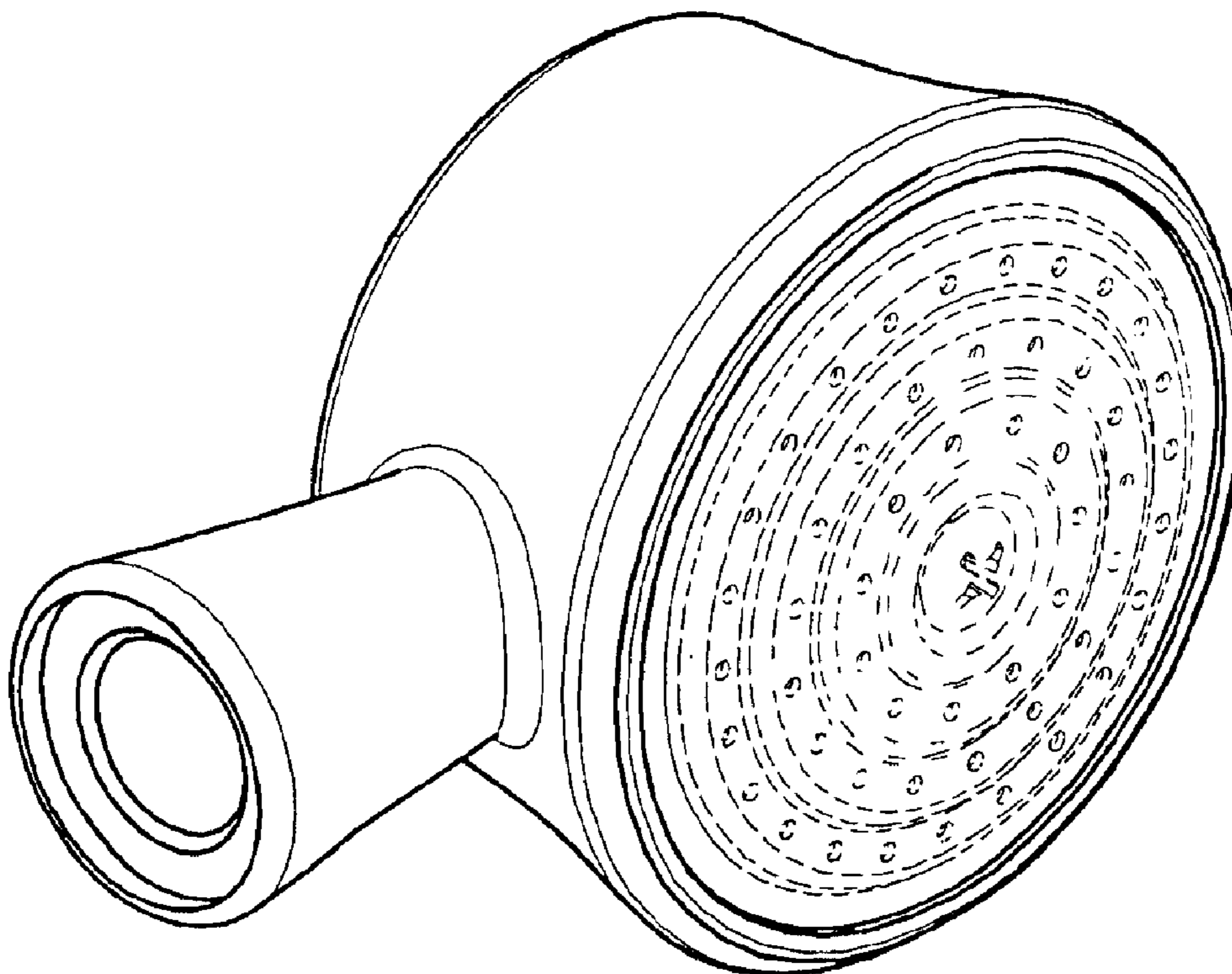
FIG. 6 is a top plan view thereof;

FIG. 7 is a right side elevational view thereof; and,

FIG. 8 is a bottom plan view thereof.

The broken line showing is for illustrative purposes only and forms no part of the claimed design.

1 Claim, 4 Drawing Sheets



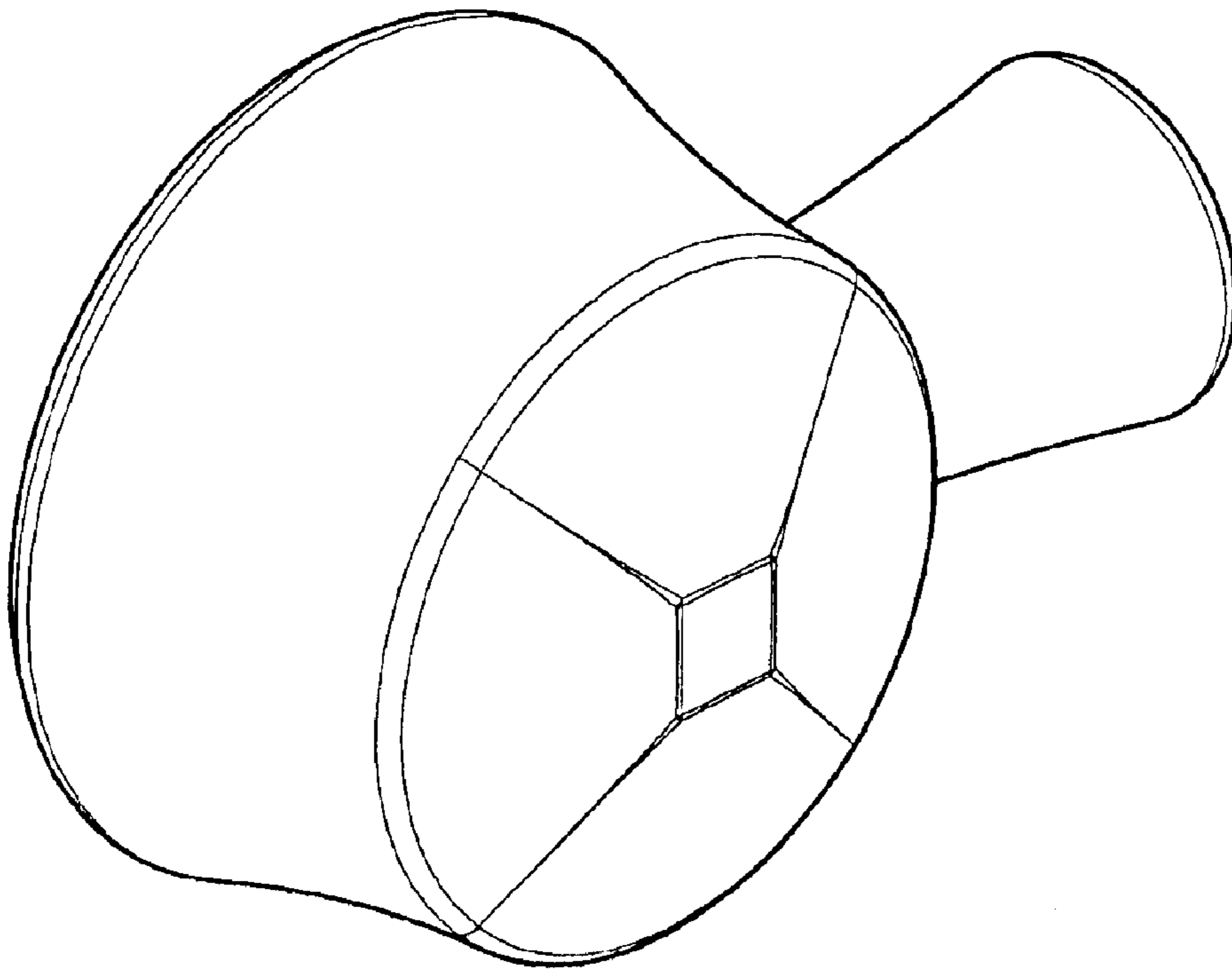


FIG - 1

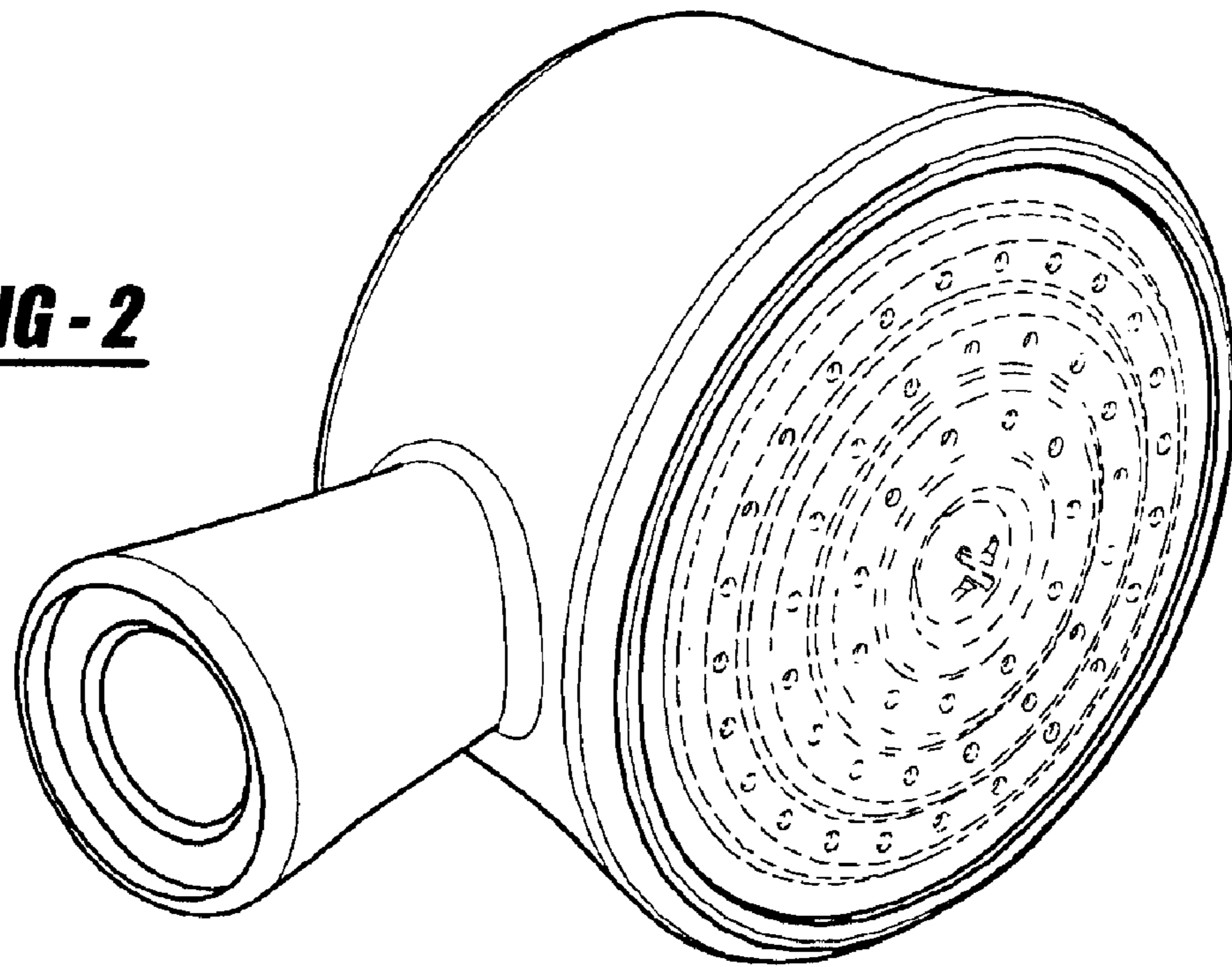


FIG - 2

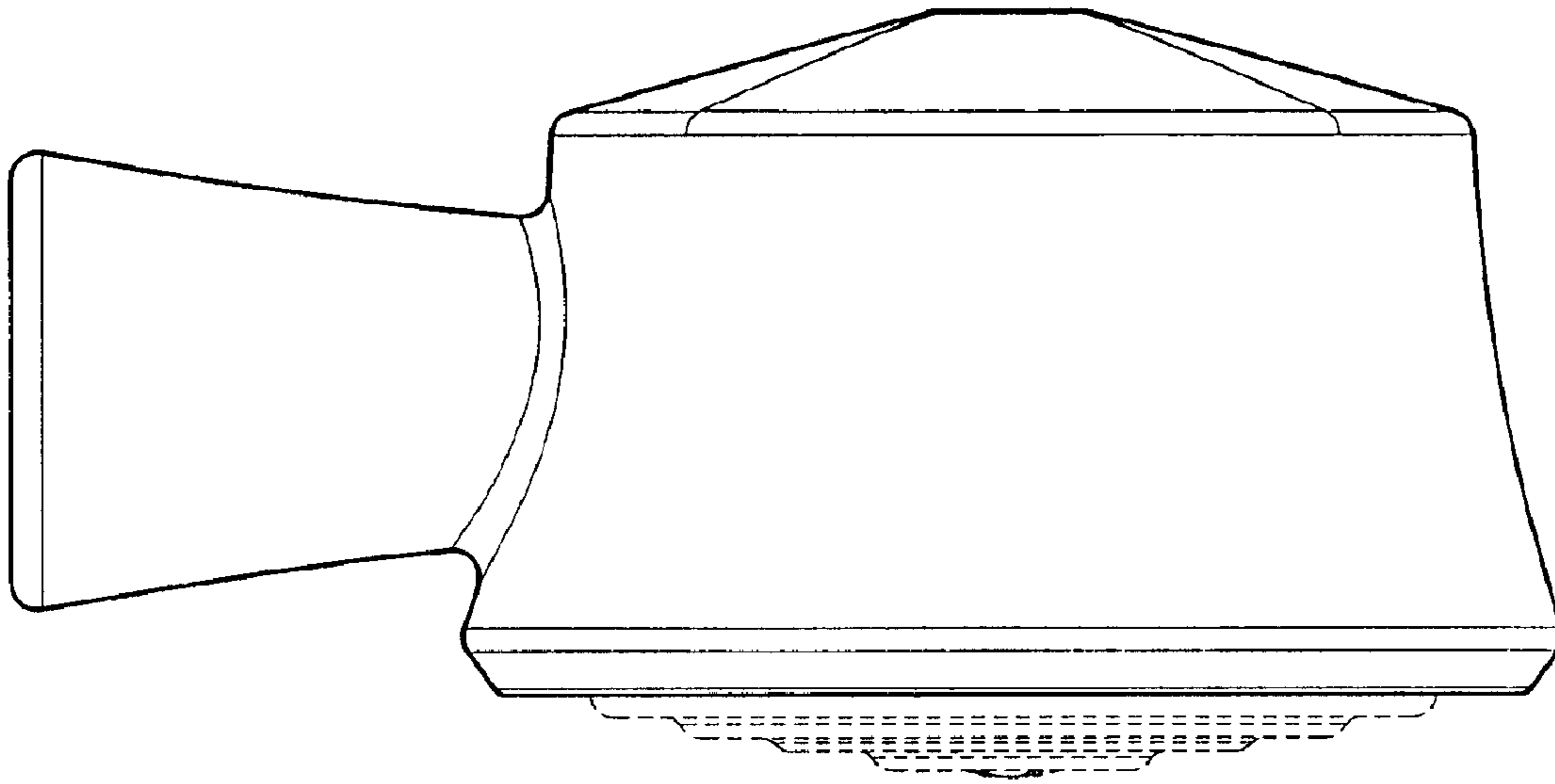


FIG - 3

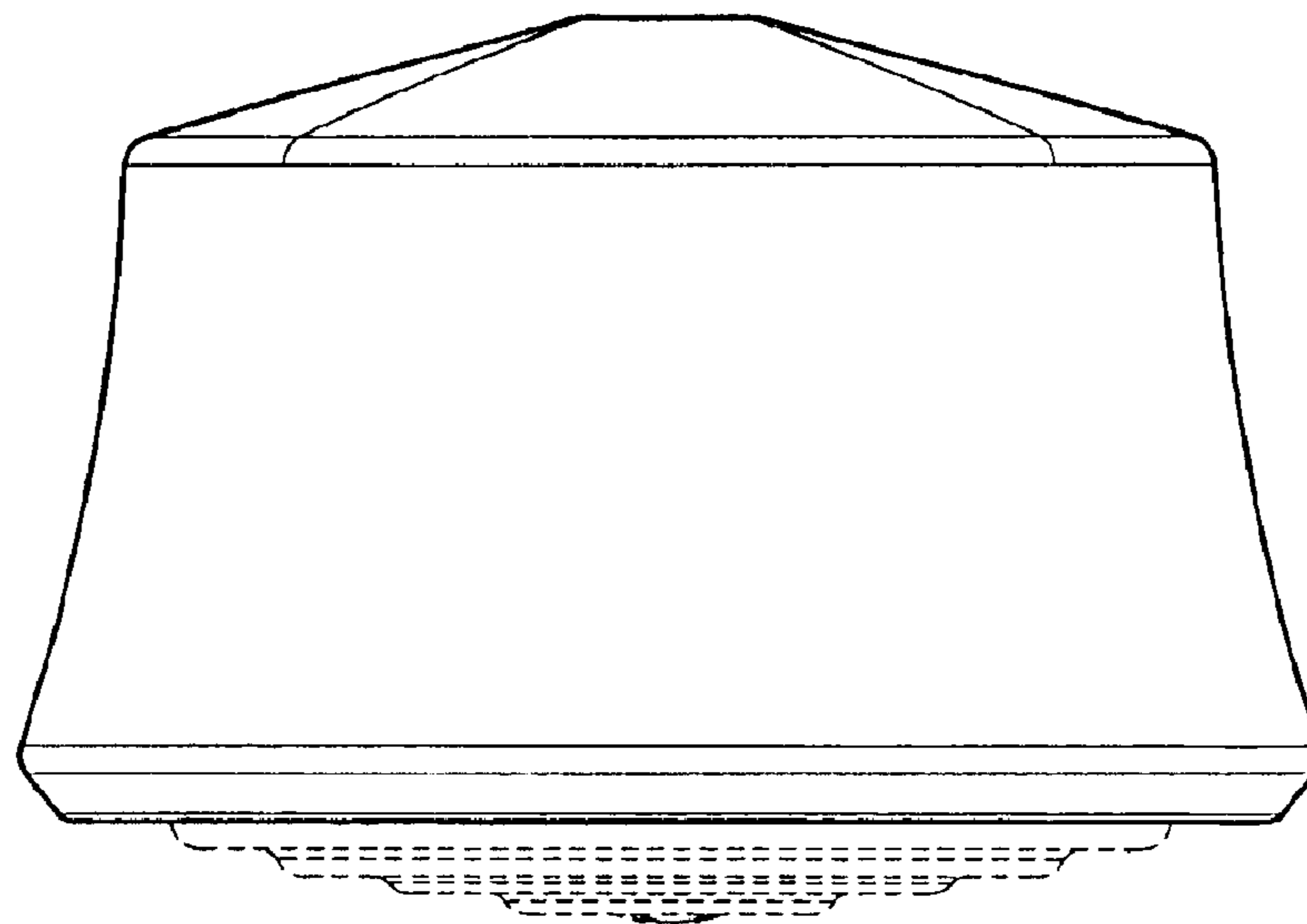


FIG - 4

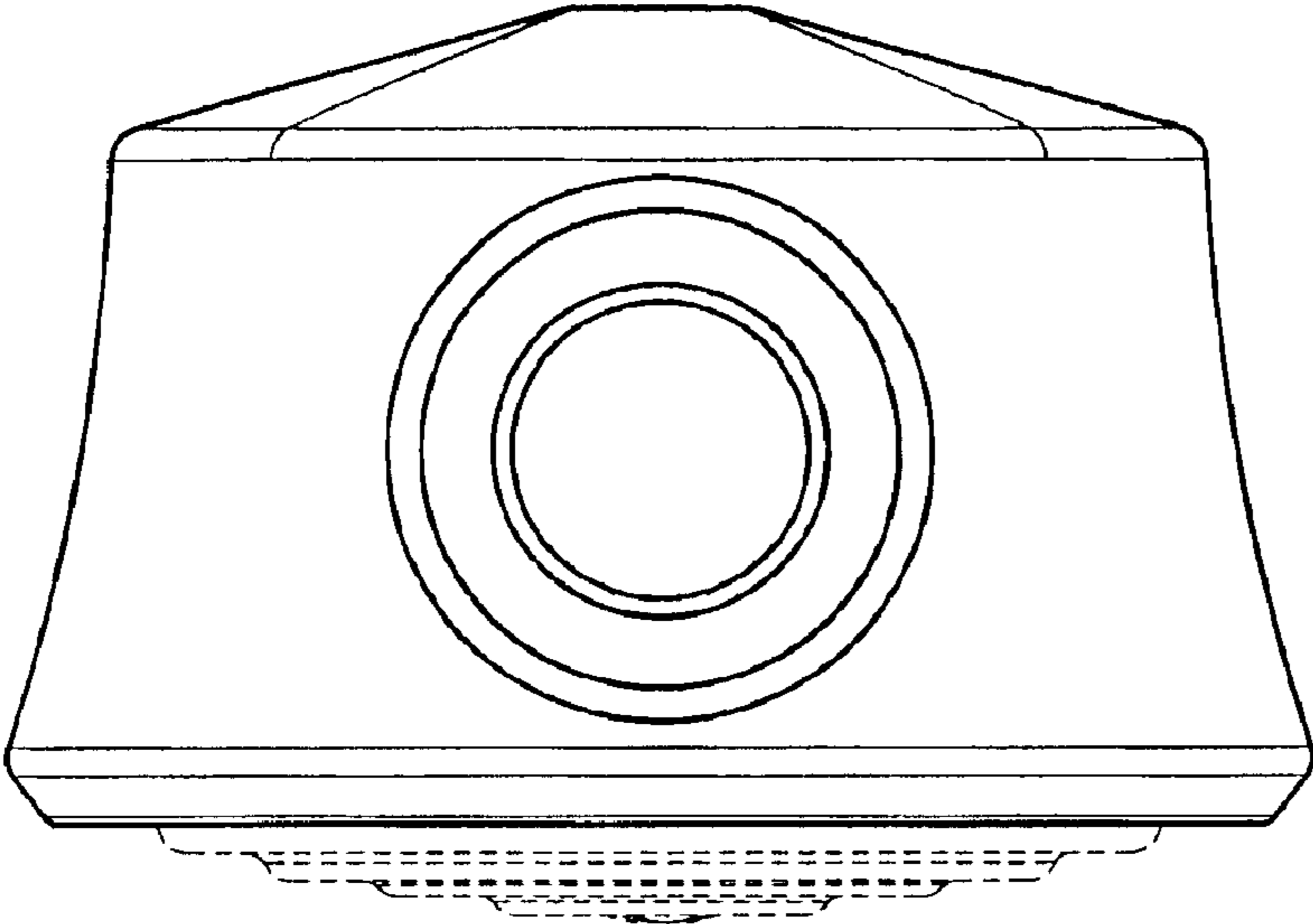


FIG - 5

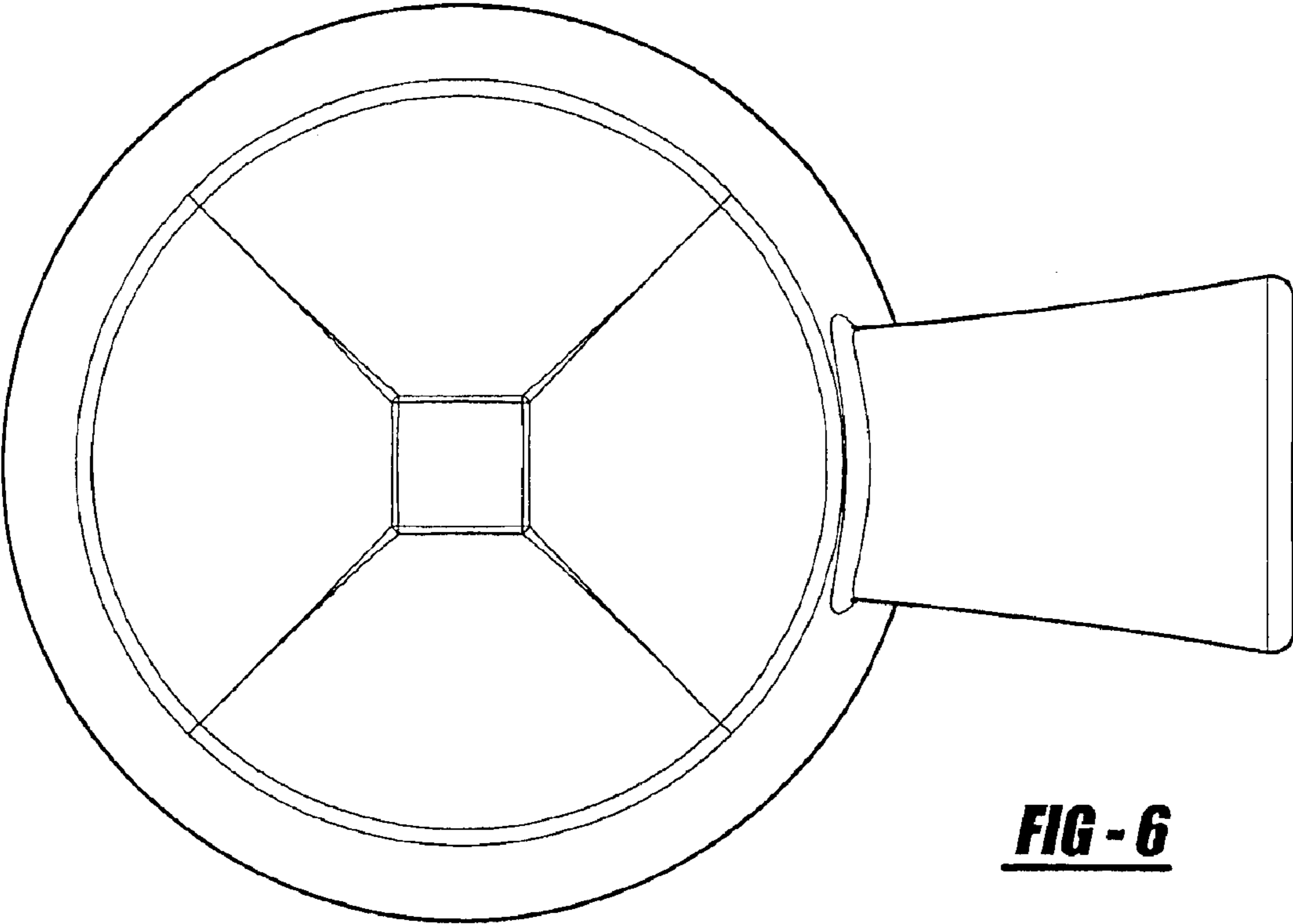


FIG - 6

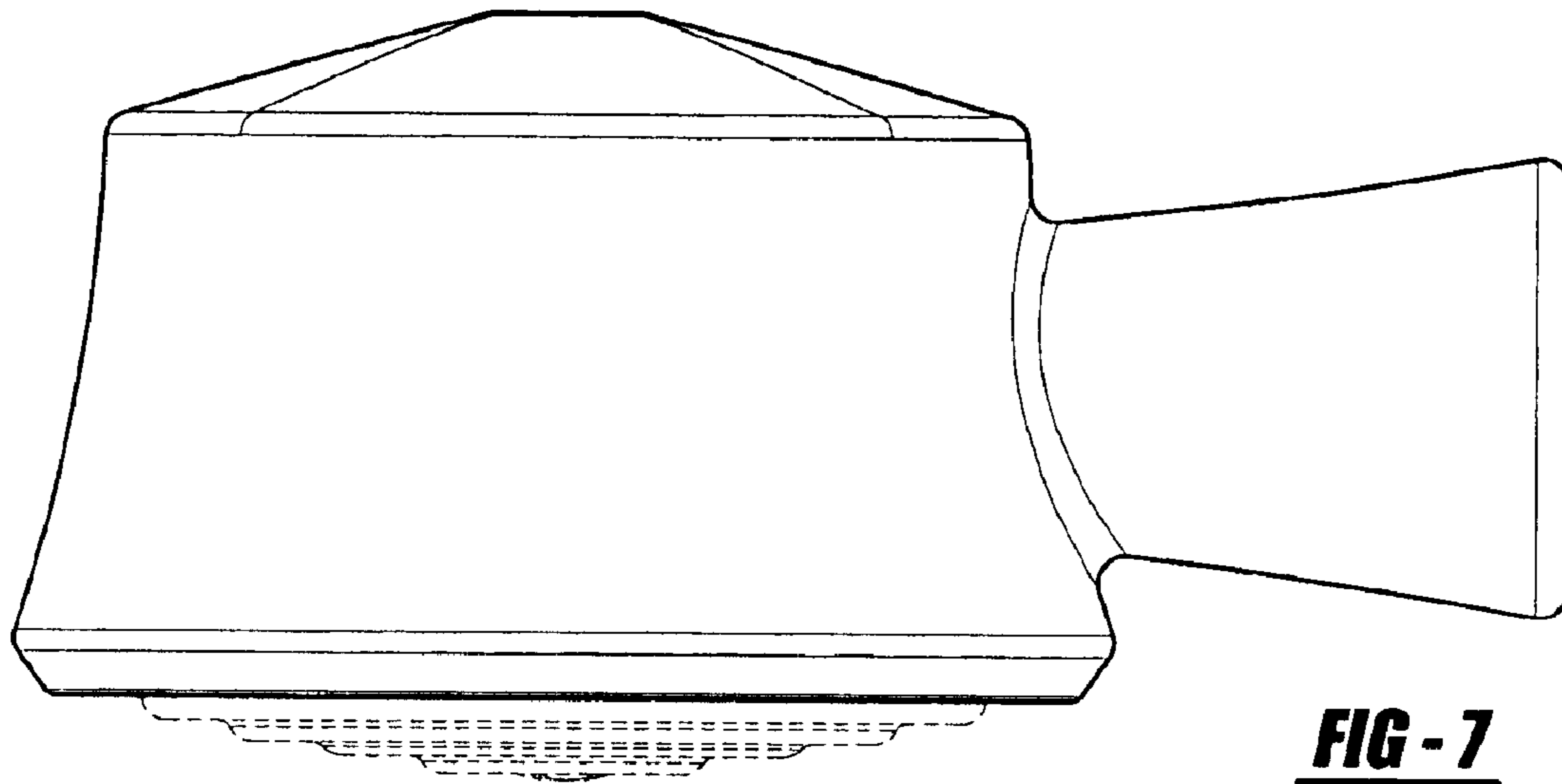


FIG - 7

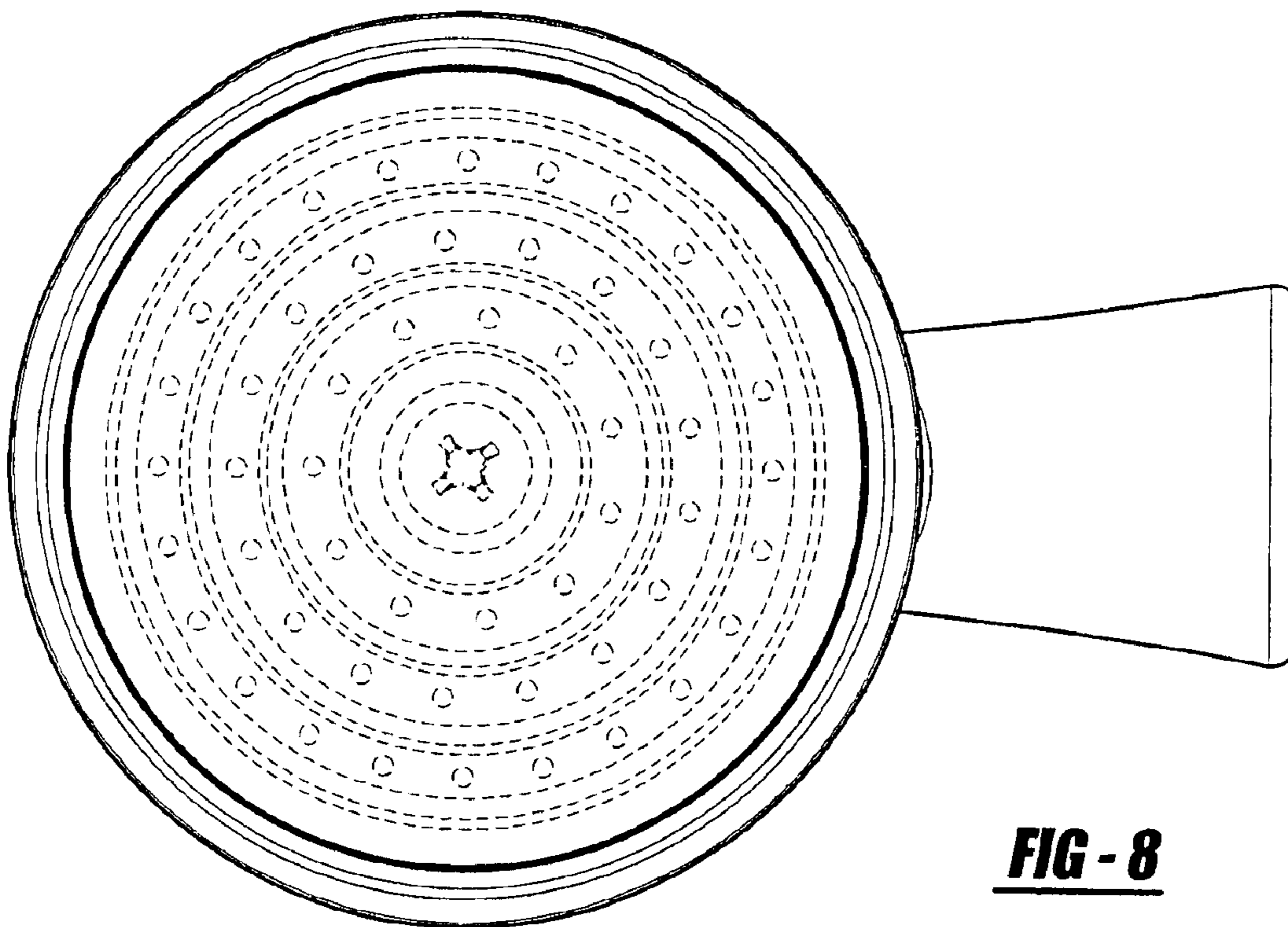


FIG - 8