

US00D503453S

(12) **United States Design Patent**  
**Lin**

(10) **Patent No.:** **US D503,453 S**  
(45) **Date of Patent:** **\*\* Mar. 29, 2005**

(54) **FISHING ROD ROLLER GUIDE**

(76) Inventor: **Ming-Yi Lin**, No. 60, Hsin-Le Rd.,  
An-Ping Industrial Dist., Tainan (TW)

(\*\*) Term: **14 Years**

(21) Appl. No.: **29/189,996**

(22) Filed: **Sep. 12, 2003**

(51) **LOC (7) Cl.** ..... **22-05**

(52) **U.S. Cl.** ..... **D22/143**

(58) **Field of Search** ..... D22/143, 139,  
D22/138; 43/18, 24

(56) **References Cited**

**U.S. PATENT DOCUMENTS**

D292,115 S	*	9/1987	Ziemelis	.....	D22/143
D368,296 S	*	3/1996	Takizawa et al.	.....	D22/143
5,802,759 A	*	9/1998	Ohmura	.....	43/24
6,067,743 A	*	5/2000	Ohmura	.....	43/24
D439,301 S	*	3/2001	Lin	.....	D22/143
D483,435 S	*	12/2003	Lin	.....	D22/143

\* cited by examiner

*Primary Examiner*—Catherine R. Oliver

(74) *Attorney, Agent, or Firm*—Alan D. Kamrath; Nikolai & Mersereau, P.A.

(57) **CLAIM**

The ornamental design for a fishing rod roller guide, as shown and described.

**DESCRIPTION**

FIG. 1 is a perspective view of a fishing rod roller guide showing my new design;

FIG. 2 is a front side elevational view thereof;

FIG. 3 is a rear side elevational view thereof;

FIG. 4 is a left side elevational view thereof;

FIG. 5 is a right side elevational view thereof;

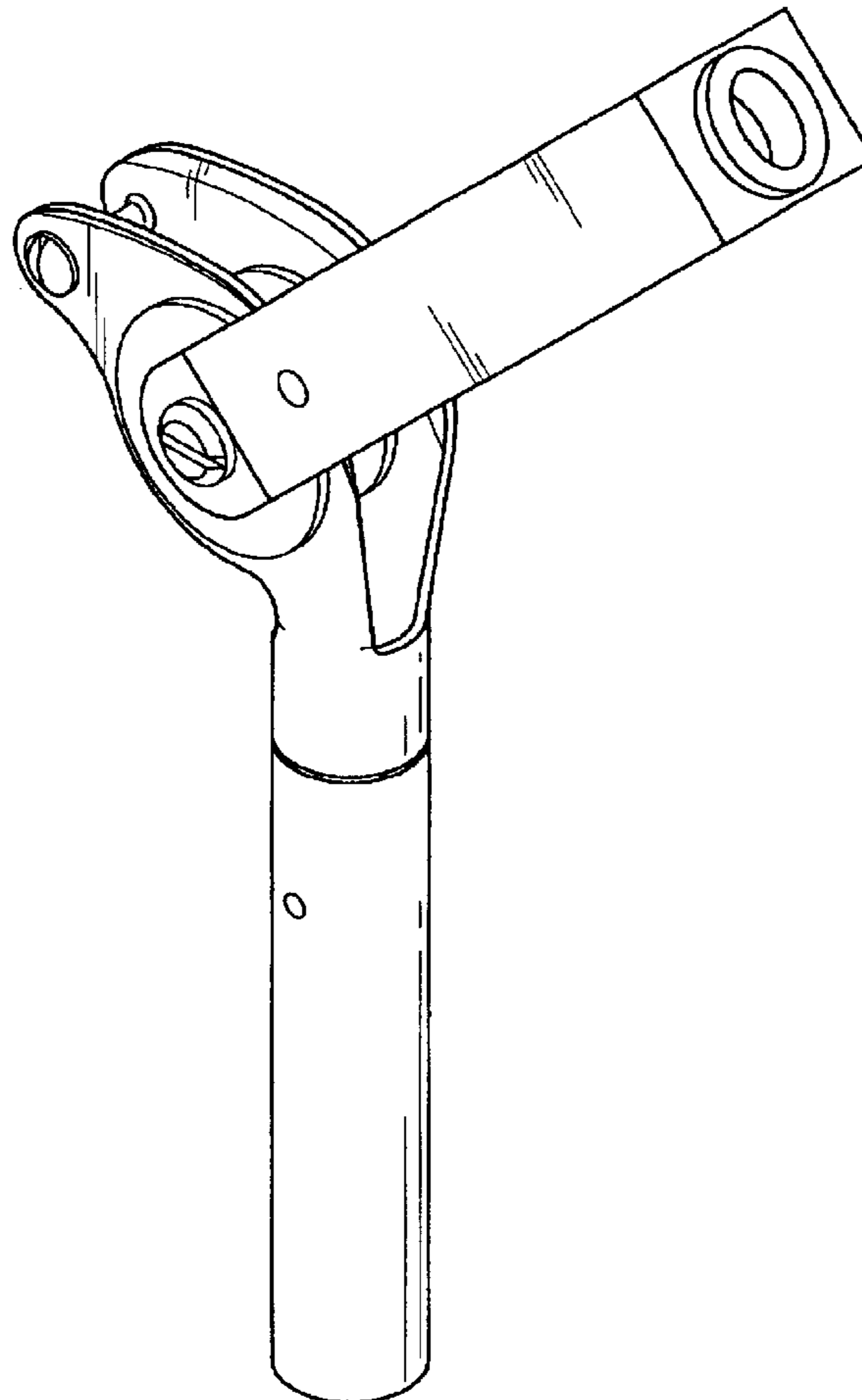
FIG. 6 is a top plan view thereof;

FIG. 7 is a bottom plan view thereof; and,

FIG. 8 is a front perspective view of the fishing rod roller guide of the present invention.

The broken line in FIG. 8 is shown for illustrative purposes only and forms no part of the claimed design.

**1 Claim, 4 Drawing Sheets**



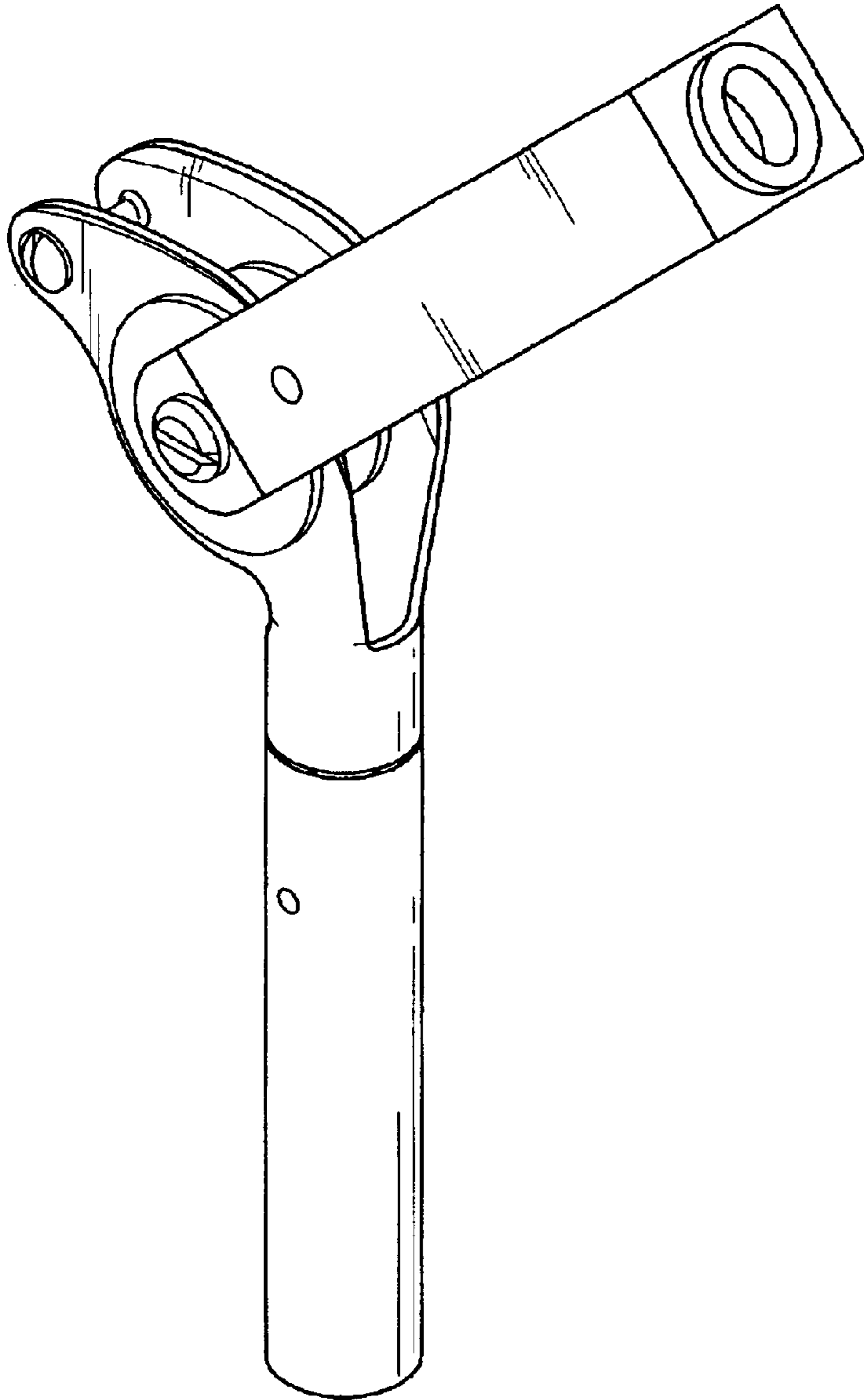


FIG. 1

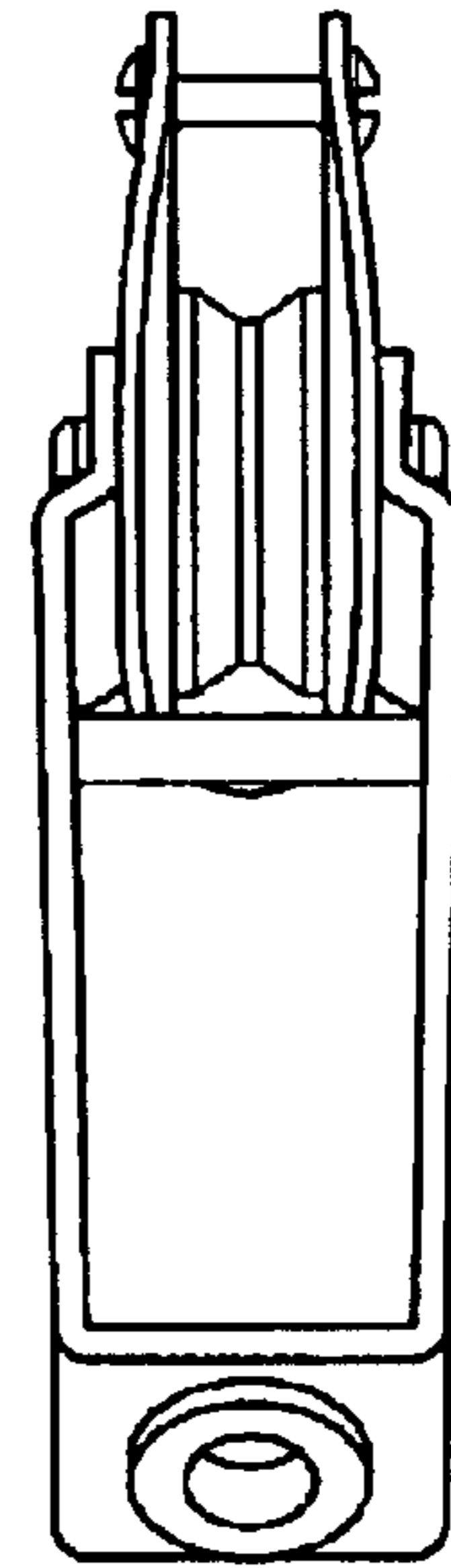


FIG. 6

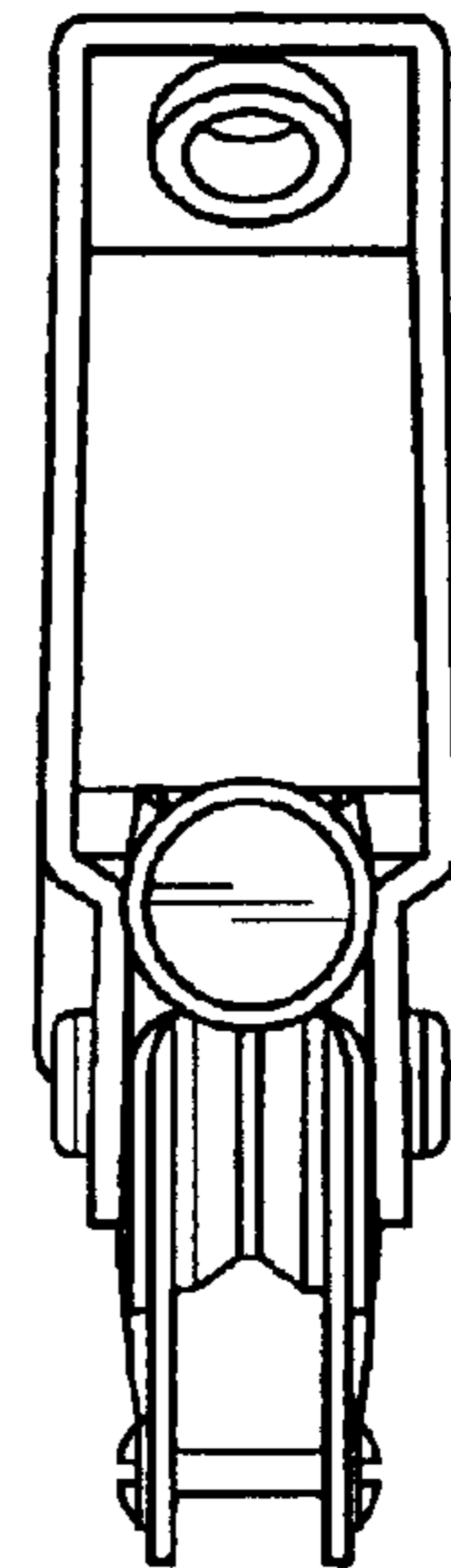


FIG. 7

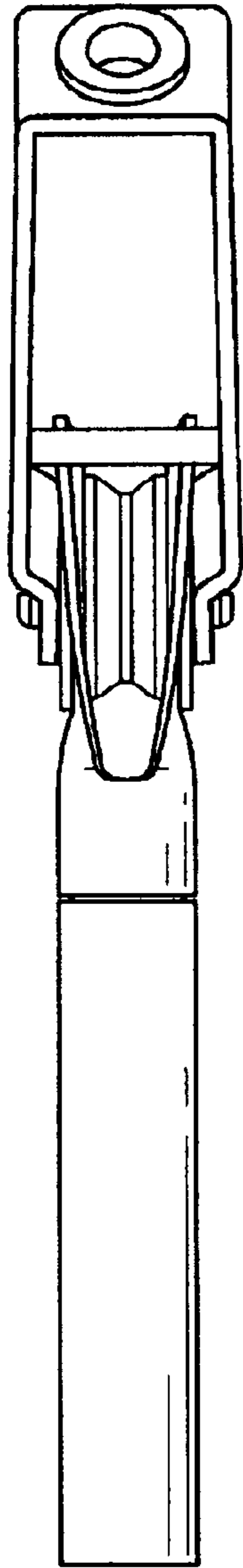


FIG. 2

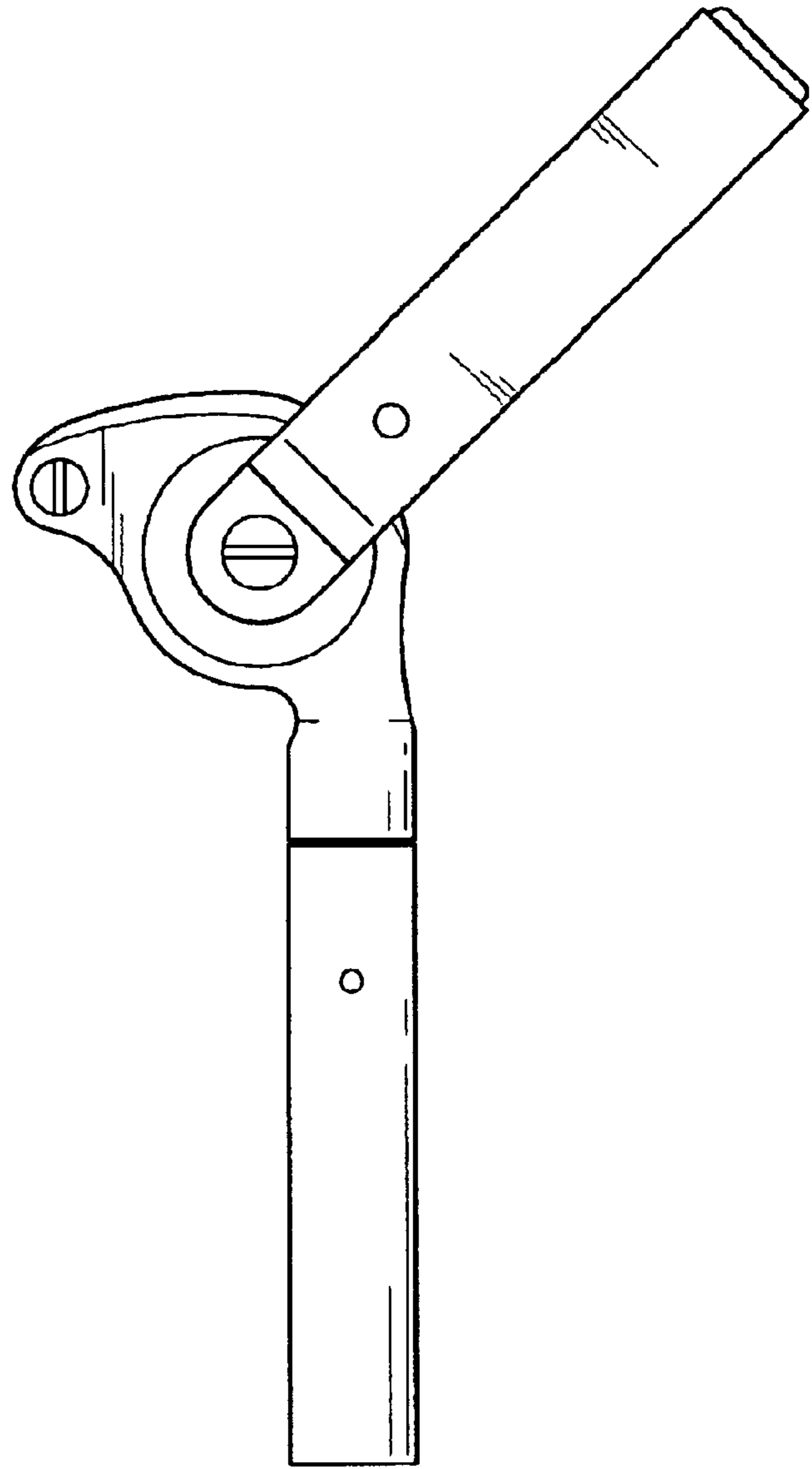


FIG. 4

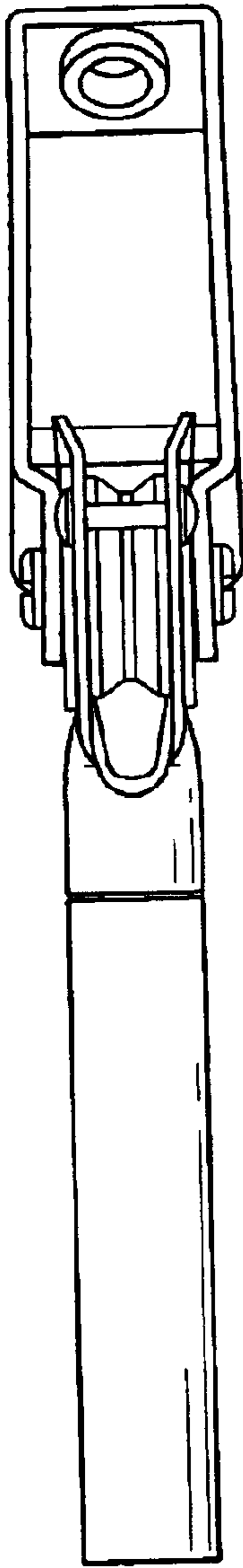


FIG. 3

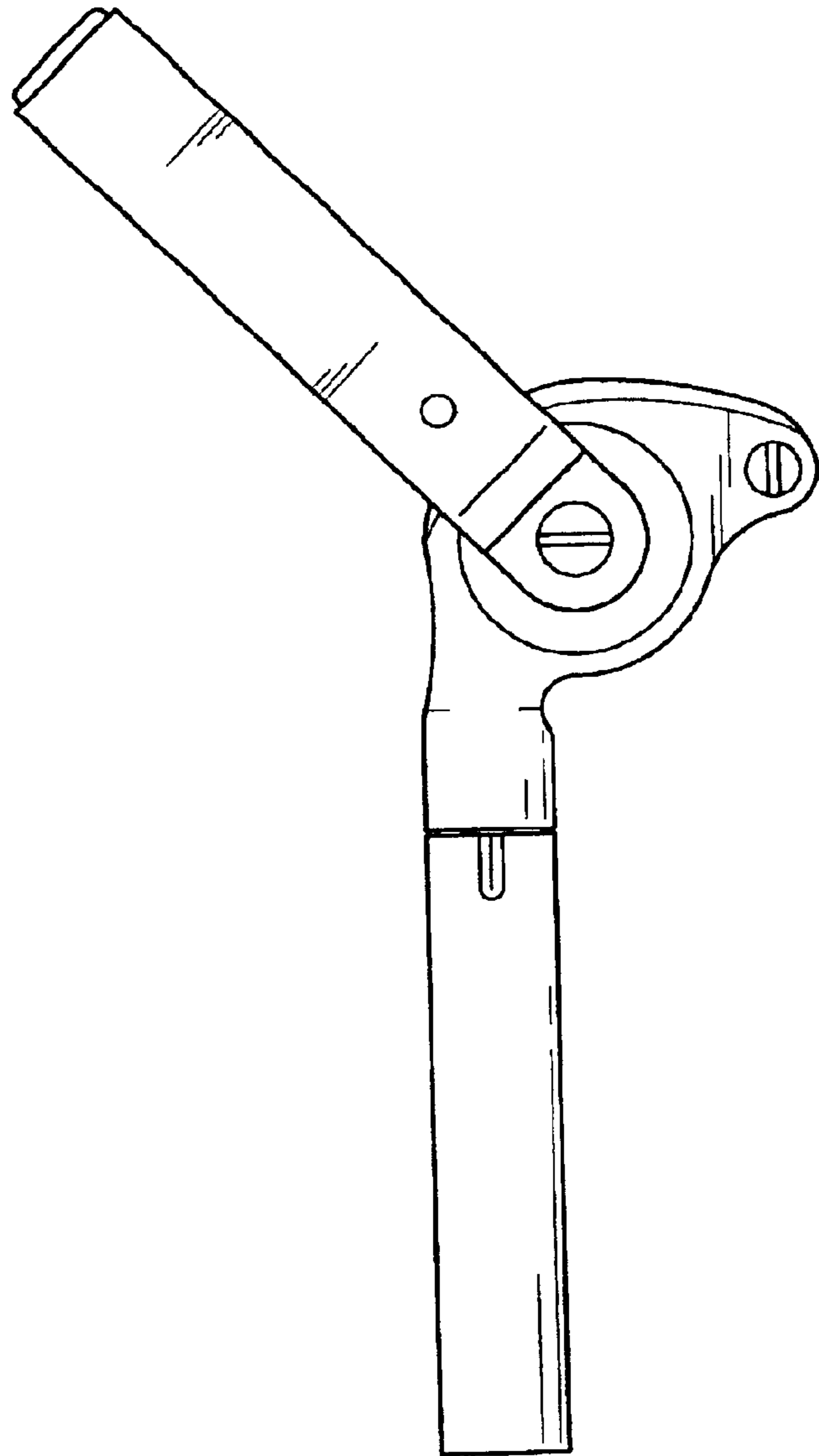


FIG. 5

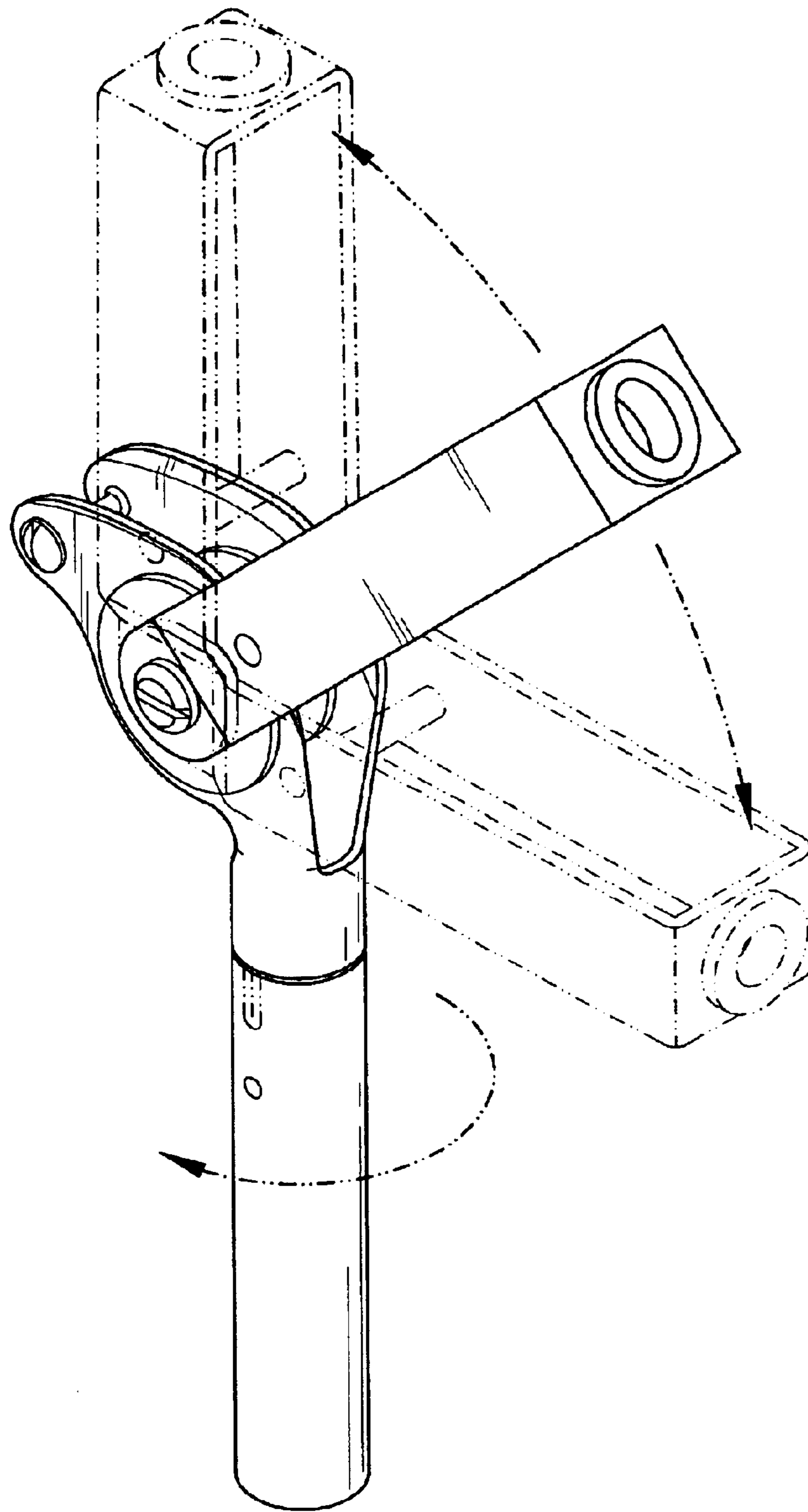


FIG. 8