

US00D503449S

(12) **United States Design Patent**
Dastice

(10) **Patent No.:** **US D503,449 S**
(45) **Date of Patent:** **** Mar. 29, 2005**

(54) **GOLF BALL HOLDER CLIP**

6,168,061 B1 * 1/2001 Harrison 224/666

(75) Inventor: **Joseph Dastice**, Brookfield, IL (US)

* cited by examiner

(73) Assignee: **ZDA Corporation**, South Elgin, IL (US)

Primary Examiner—Mitchell Siegel

(74) *Attorney, Agent, or Firm*—Basil E. Demeur; Alan B. Samlan; David J. Hurley

(**) Term: **14 Years**

(57) **CLAIM**

(21) Appl. No.: **29/194,711**

I claim the ornamental design for a golf ball holder clip, as shown and described.

(22) Filed: **Dec. 1, 2003**

DESCRIPTION

(51) **LOC (7) Cl.** **21-02**

(52) **U.S. Cl.** **D21/796; D3/257; D6/552**

(58) **Field of Search** D21/789, 796;
D3/257; D6/552; 473/283–286, 387; 224/918,
919, 666, 670; 206/315.9, 315.5, 315.6

FIG. 1 is a front elevational perspective view;
FIG. 2 is a side elevational perspective view;
FIG. 3 is a top view;
FIG. 4 is a front elevational view;
FIG. 5 is a side elevational view of the right side of the holder clip;
FIG. 6 is a side elevational view of the left side of the golf ball holder clip; and,
FIG. 7 is a elevational view of the back side of the golf ball holder clip.

(56) **References Cited**

U.S. PATENT DOCUMENTS

D403,391 S	*	12/1998	Wu	D21/796
D405,860 S	*	2/1999	Hargrove	D21/796
D411,603 S	*	6/1999	Duran	D21/796
D430,252 S	*	8/2000	Grove	D21/796

1 Claim, 4 Drawing Sheets

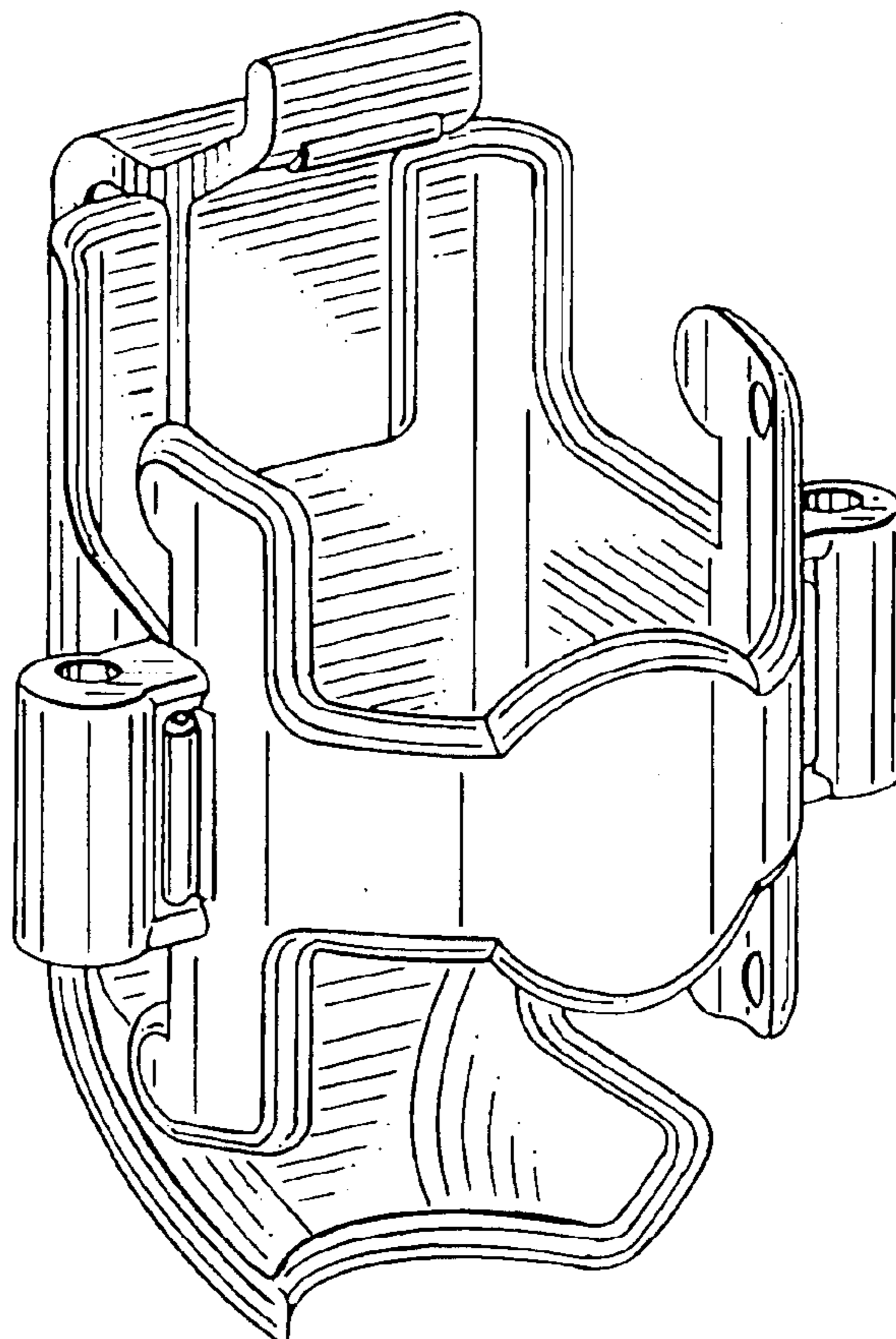


FIG. 1

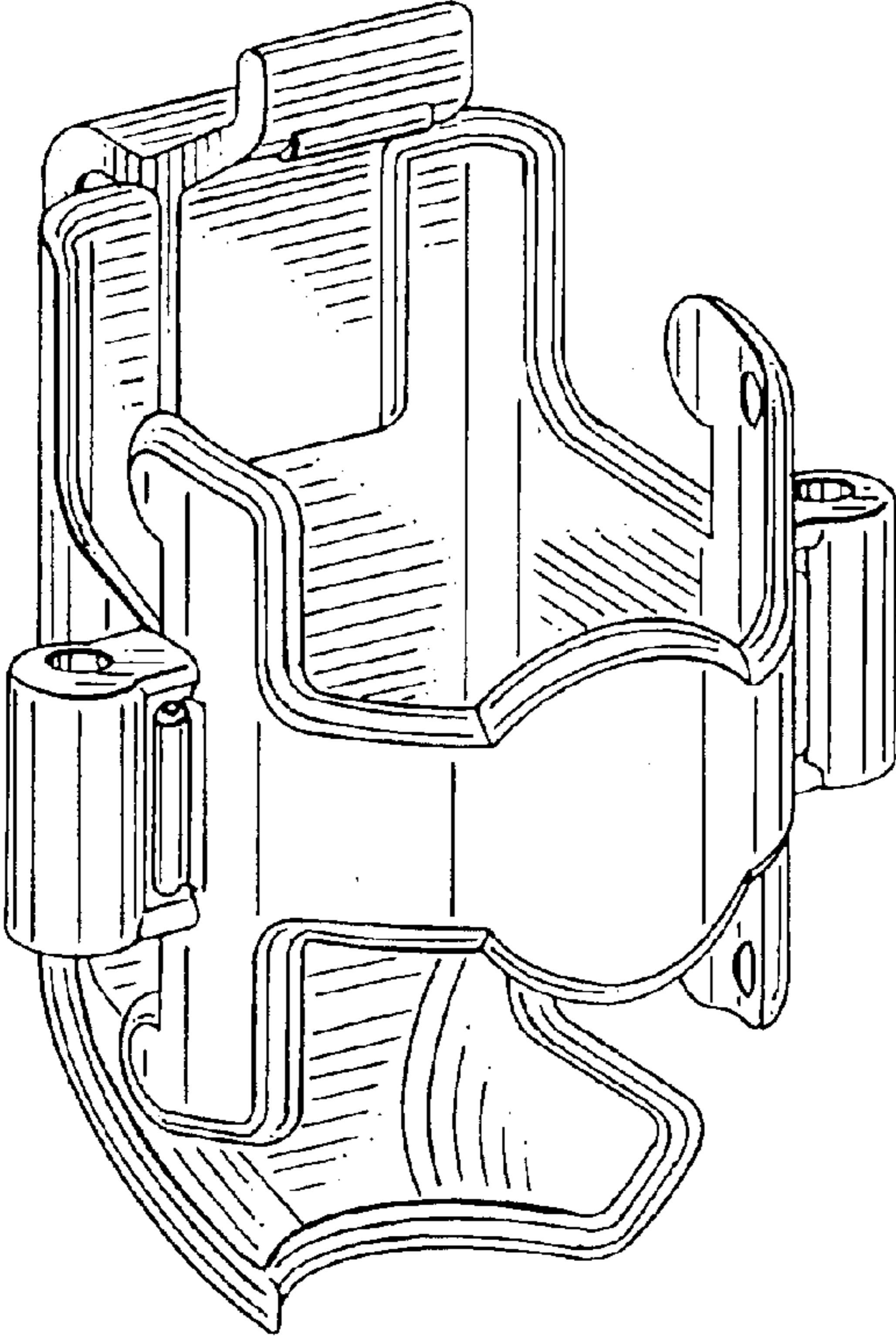


FIG. 2

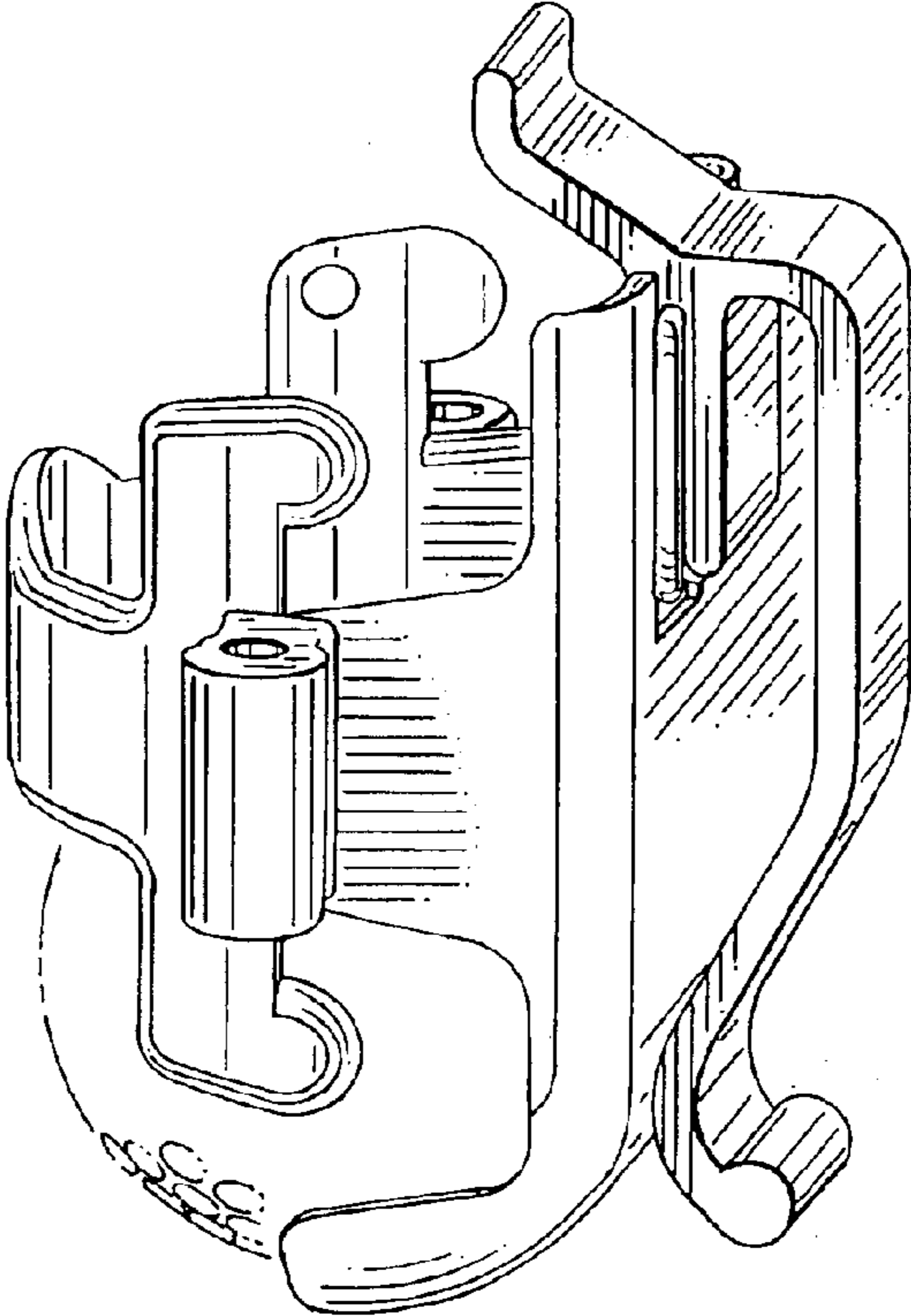


FIG. 3

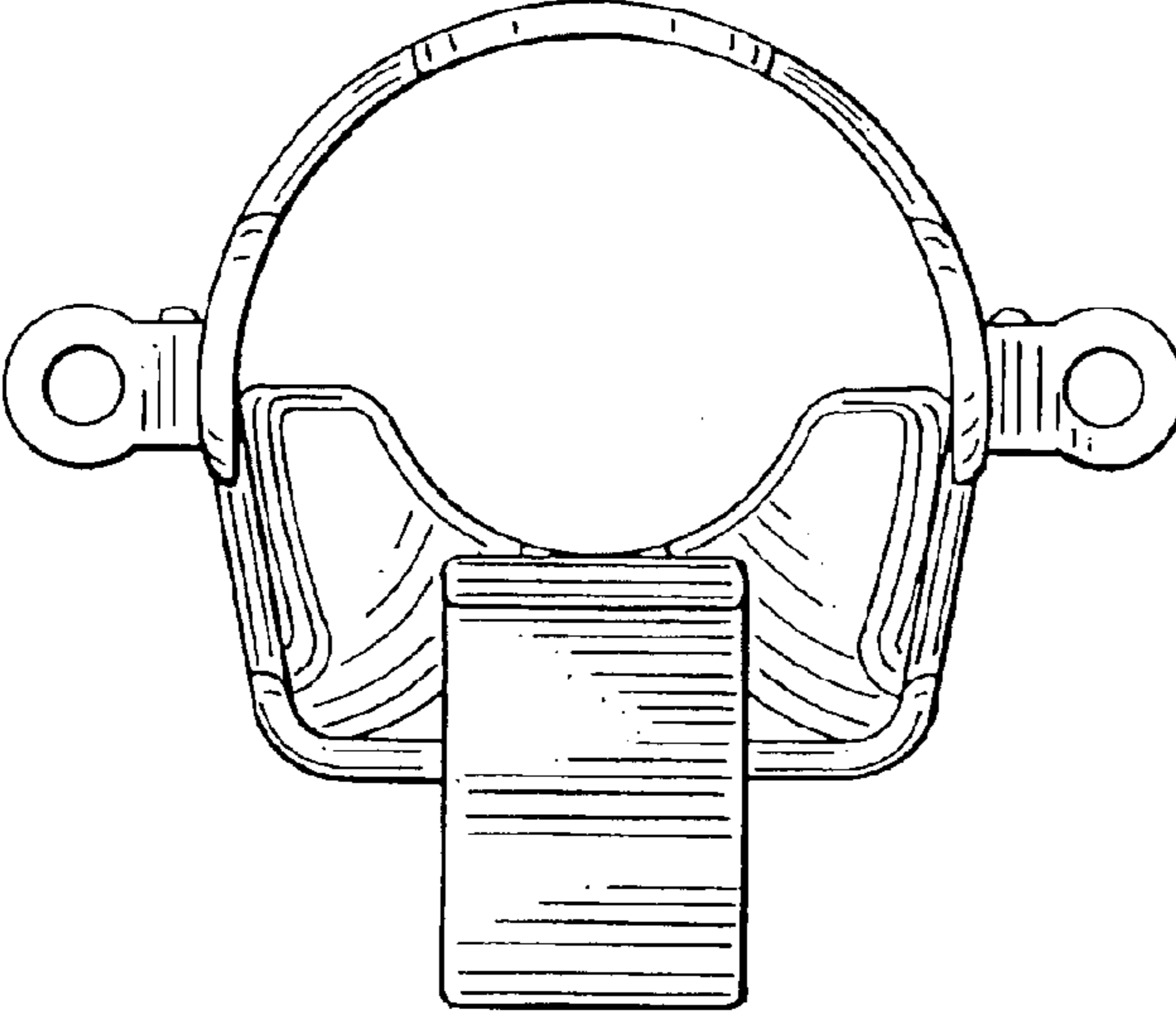


FIG. 4

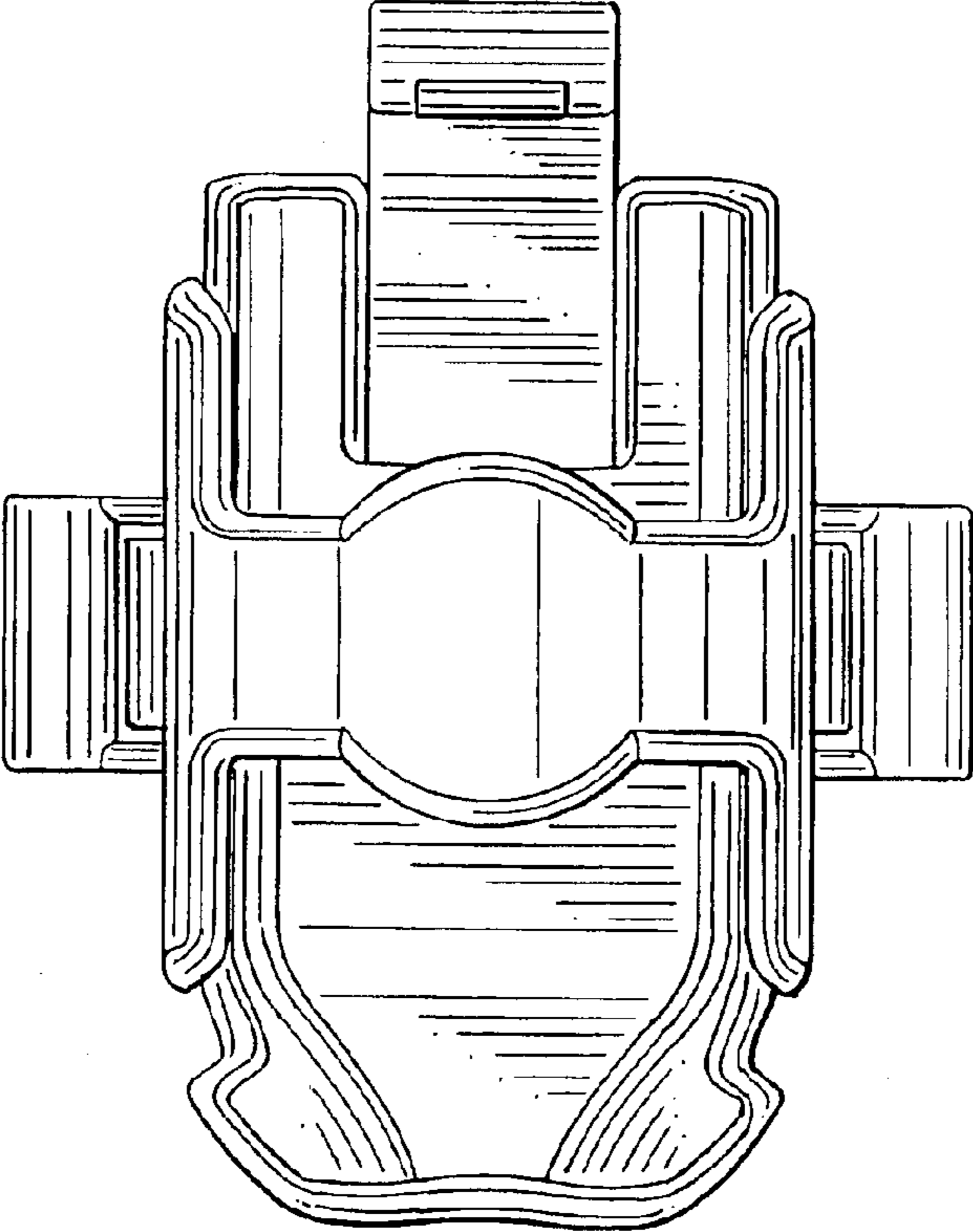


FIG. 5

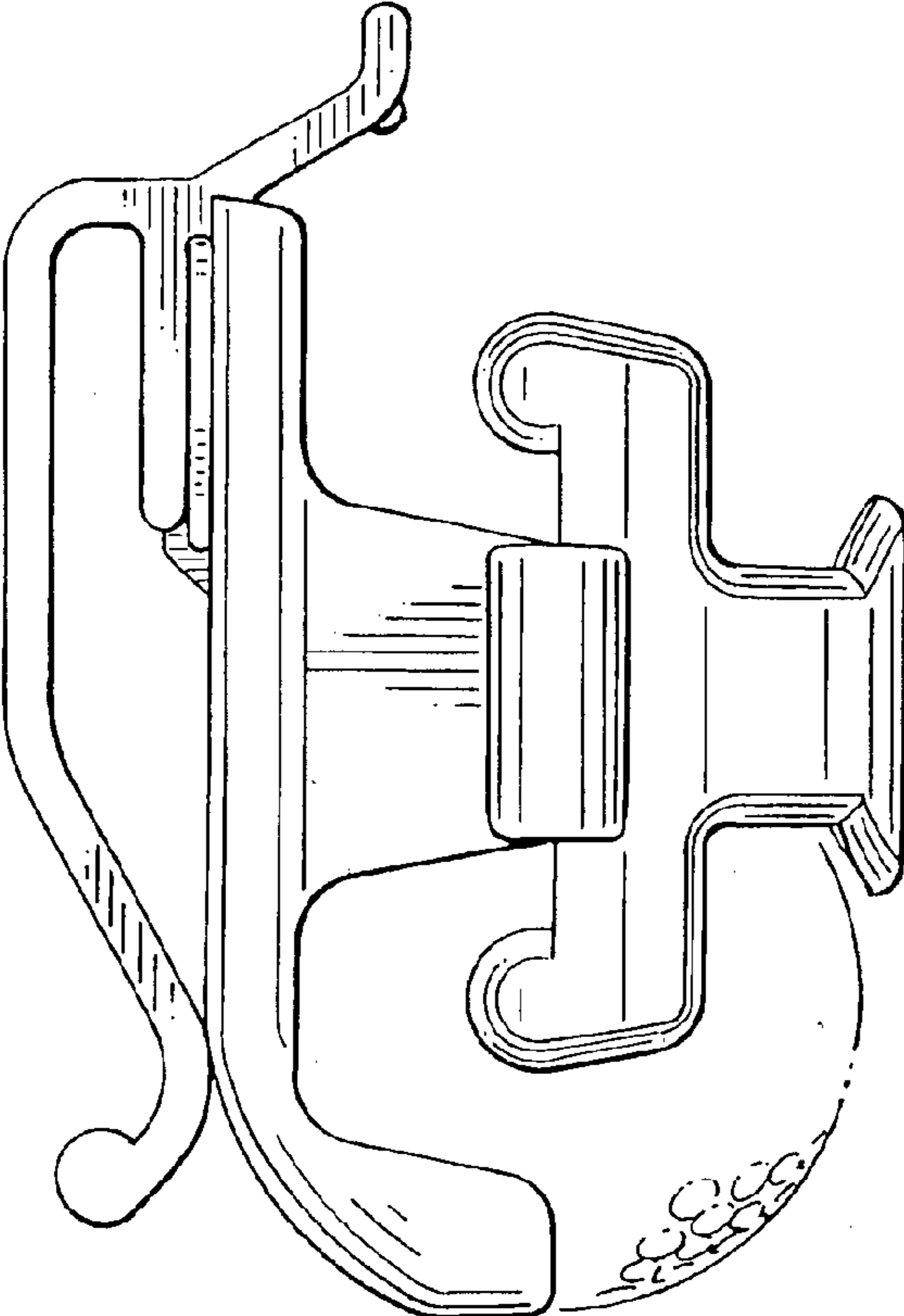


FIG. 6

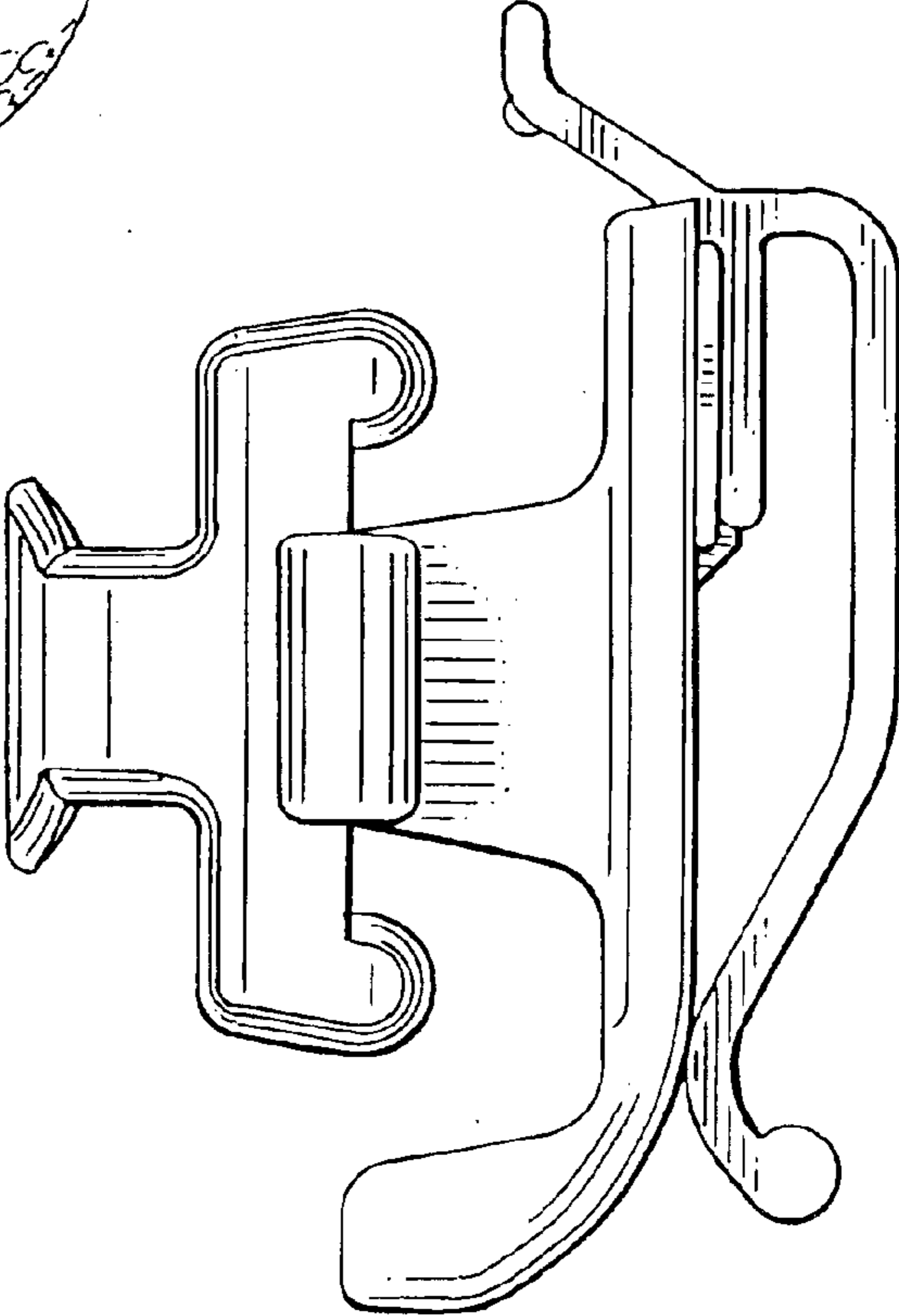


FIG. 7

