

US00D503448S

(12) **United States Design Patent**  
**Isom**

(10) **Patent No.:** **US D503,448 S**  
(45) **Date of Patent:** **\*\* Mar. 29, 2005**

(54) **GOLF PRACTICE NET**  
(75) **Inventor:** **Michael D'Andrea Isom**, 225 St. Louis Ave., Ferguson, MO (US) 63135  
(73) **Assignee:** **Michael D'Andrea Isom**, St. Louis, MO (US)  
(\*\*) **Term:** **14 Years**

4,184,707 A \* 1/1980 Nelson et al. .... 294/19.2  
4,258,923 A \* 3/1981 Senoh ..... 473/478  
D271,507 S \* 11/1983 Phillips et al. .... D21/705  
4,523,760 A \* 6/1985 Bednarczuk ..... 473/197  
5,346,227 A \* 9/1994 Amram et al. .... 273/400  
D356,353 S \* 3/1995 Broyles et al. .... D21/705  
D441,040 S \* 4/2001 Cho ..... D21/705

\* cited by examiner

*Primary Examiner*—Mitchell Siegel

(21) **Appl. No.:** **29/196,829**  
(22) **Filed:** **Jan. 7, 2004**

(57) **CLAIM**

The ornamental design for a golf practice net, as shown.

(51) **LOC (7) Cl.** ..... **21-02**  
(52) **U.S. Cl.** ..... **D21/790; D21/705; D21/791**  
(58) **Field of Search** ..... **D21/789-791, D21/705; 473/172, 195, 197, 439, 478**

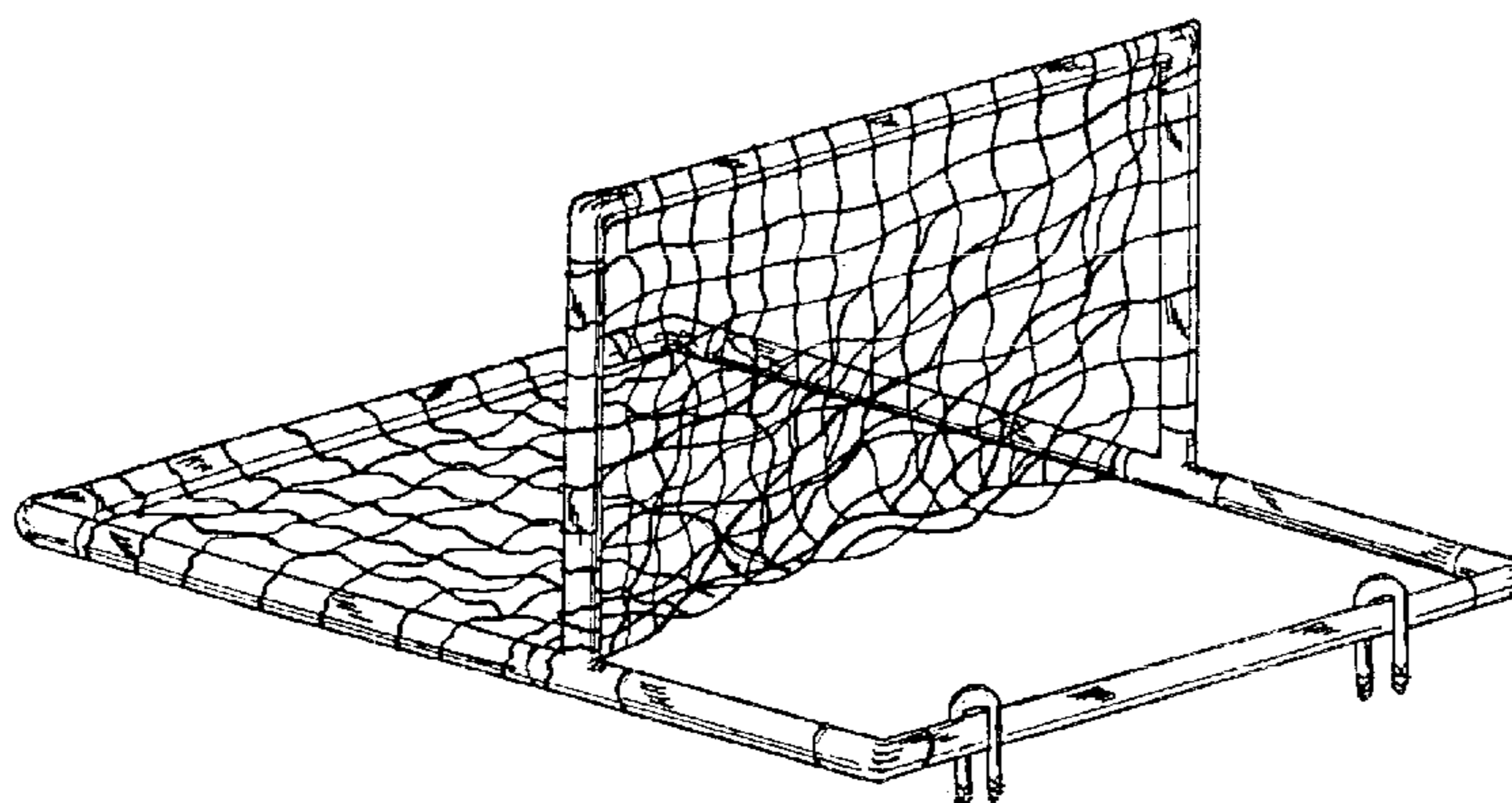
**DESCRIPTION**

**FIG. 1** Top View  
**FIG. 2** Front View  
**FIG. 3** Isometric View; and,  
**FIG. 4** Right Side View.

(56) **References Cited**  
U.S. PATENT DOCUMENTS

3,013,801 A \* 12/1961 Kirkconnell, Jr. .... 473/197

**1 Claim, 1 Drawing Sheet**



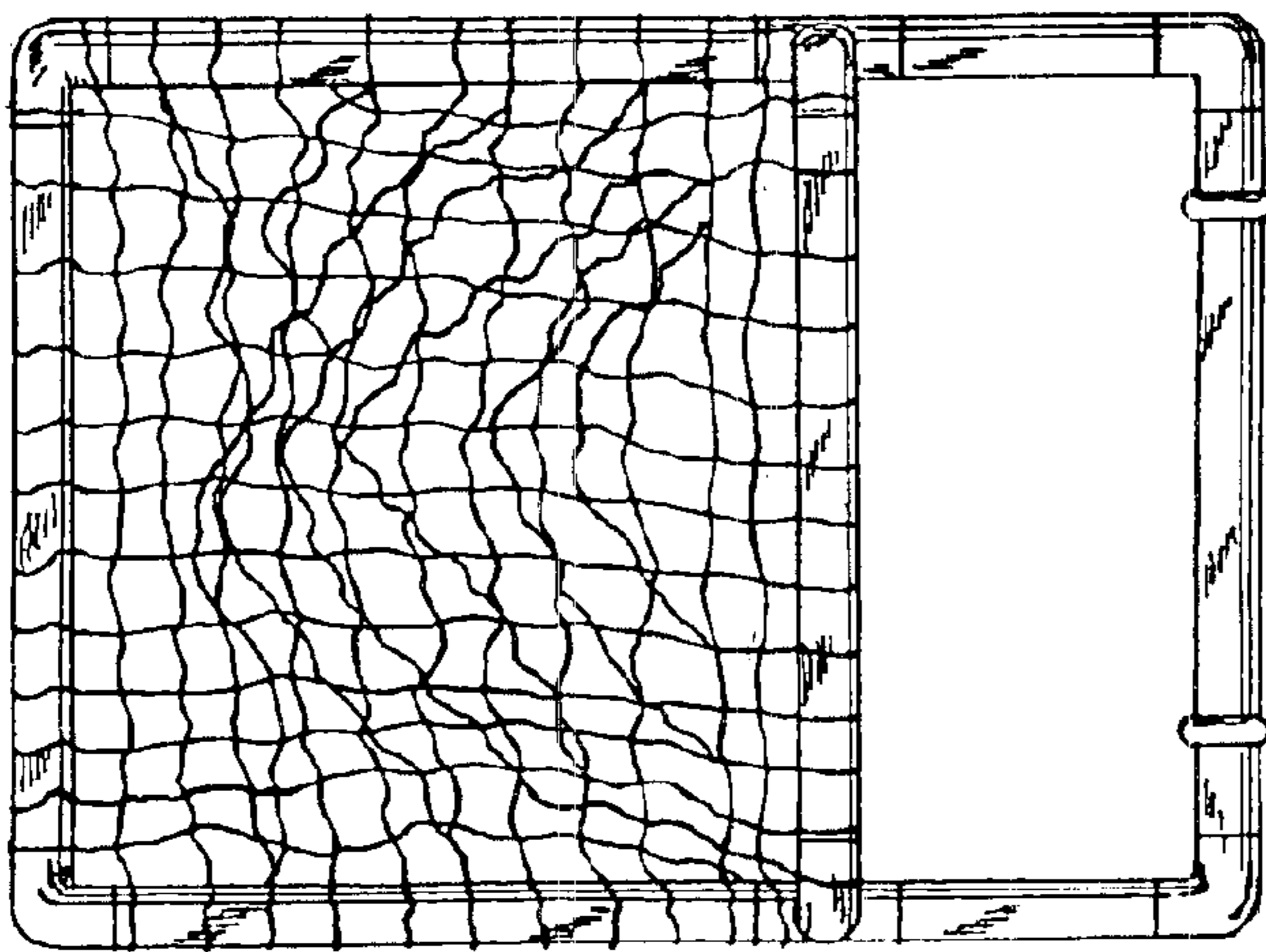


Fig. 1

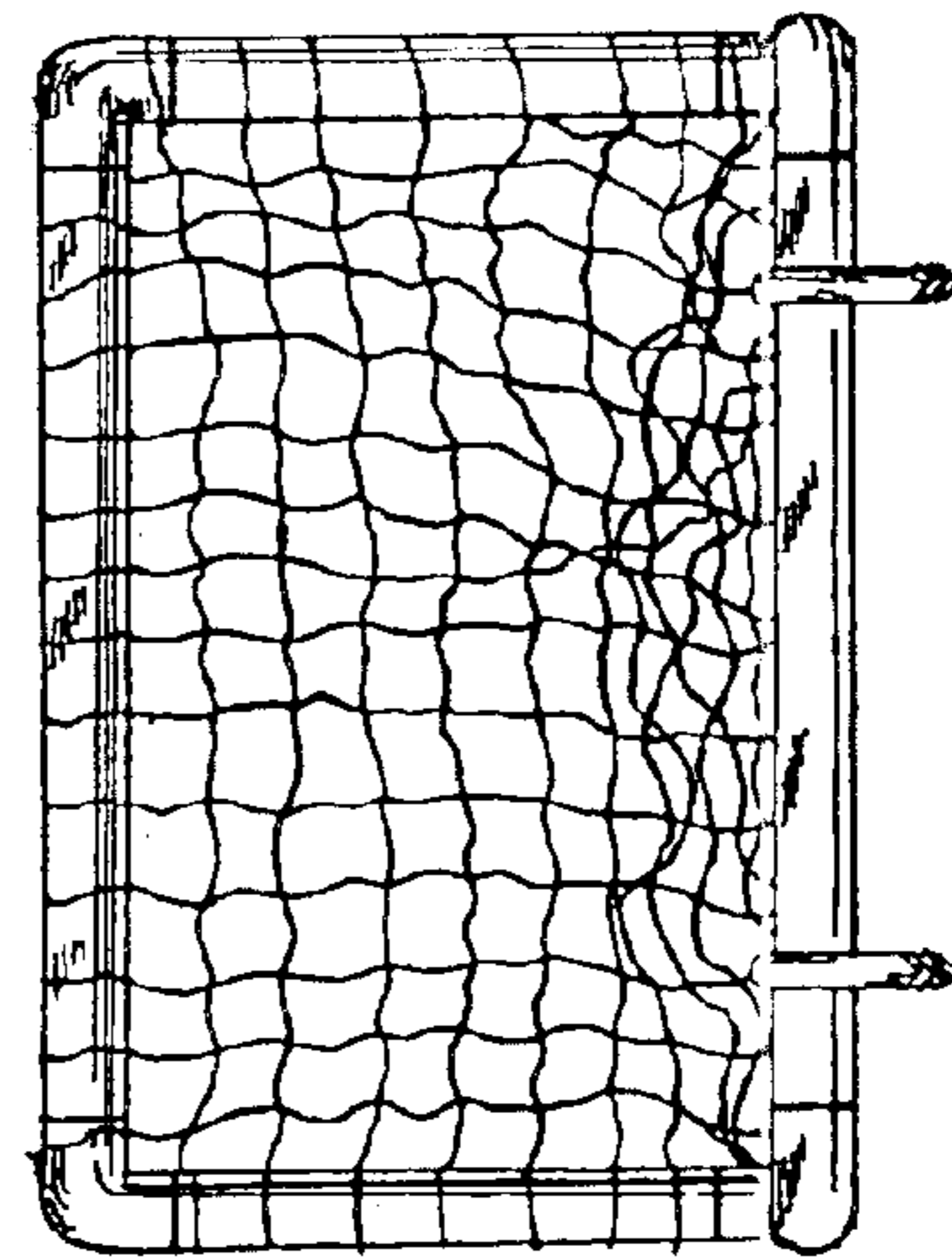


Fig. 2

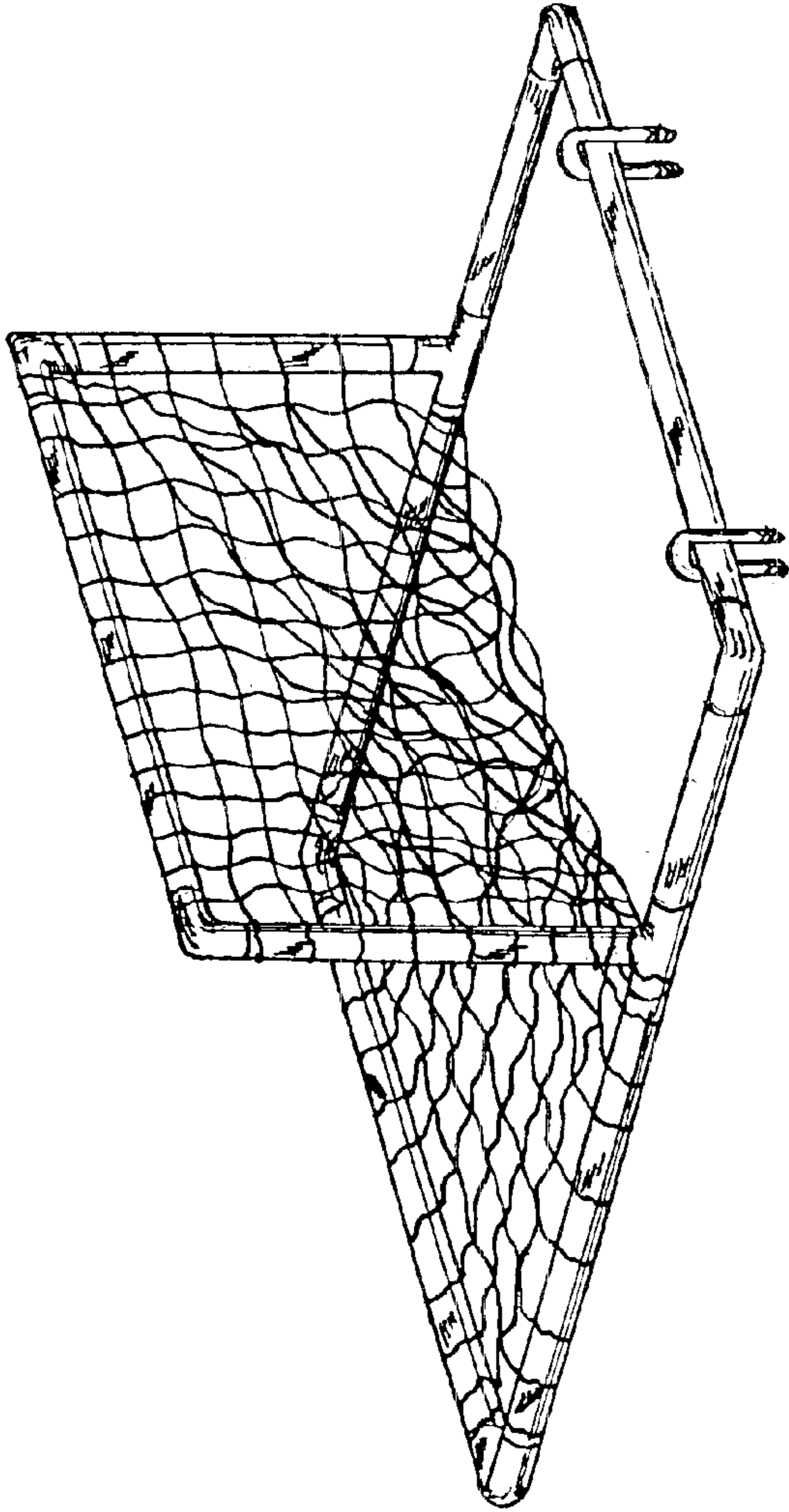


Fig. 3

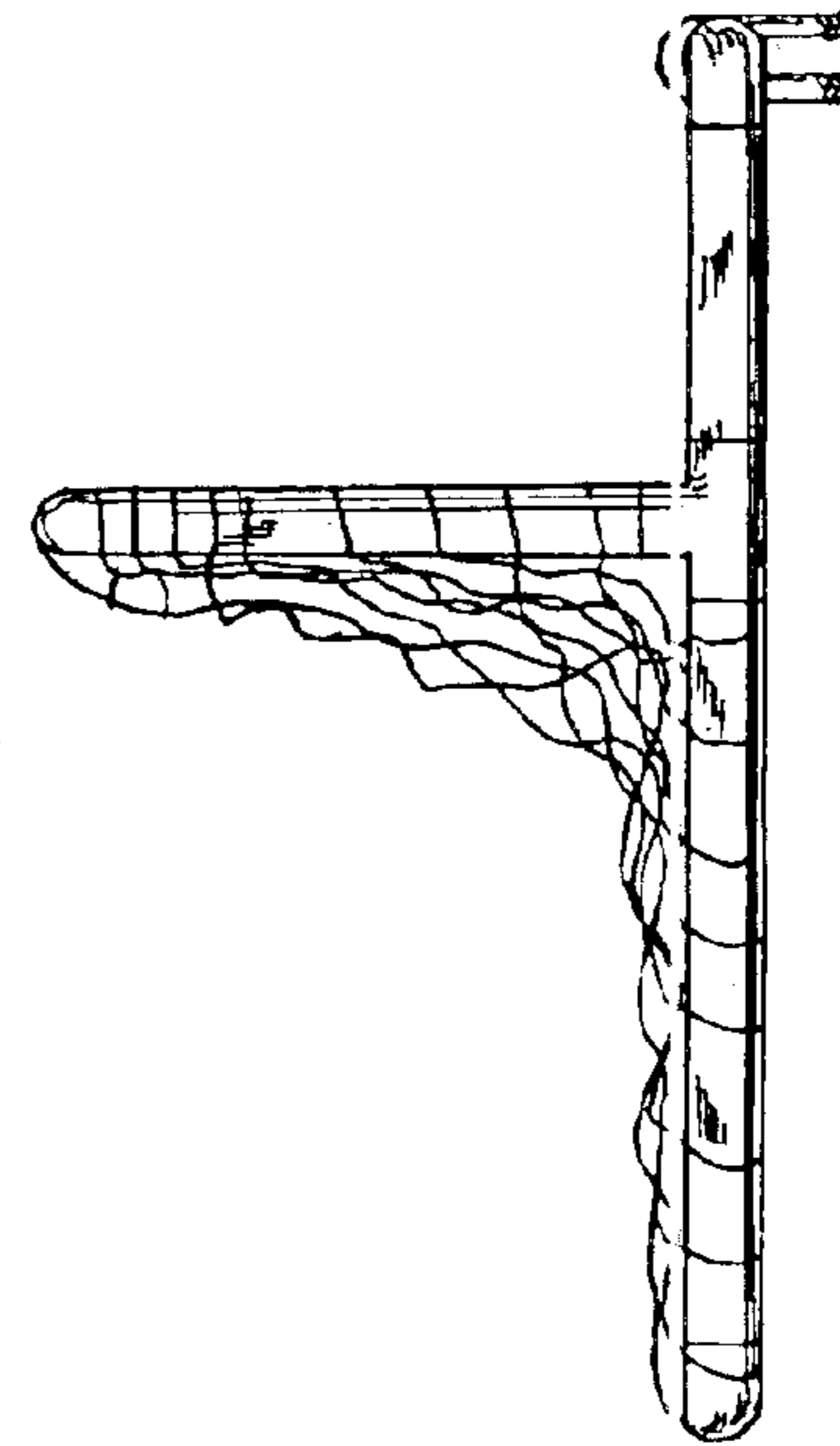


Fig. 4

UNITED STATES PATENT AND TRADEMARK OFFICE  
**CERTIFICATE OF CORRECTION**

PATENT NO. : Des. 503,448 S  
DATED : March 29, 2005  
INVENTOR(S) : Michael D'Andrea Isom

Page 1 of 1

It is certified that error appears in the above-identified patent and that said Letters Patent is hereby corrected as shown below:

Title page,

Item [75], Inventor, should read -- **Michael D'Andrea Isom**, 321 Gage Drive, St. Louis, MO 63135 --.

Signed and Sealed this

Twenty-fourth Day of January, 2006

A handwritten signature in black ink on a dotted background. The signature reads "Jon W. Dudas" in a cursive style.

JON W. DUDAS

*Director of the United States Patent and Trademark Office*