



US00D503446S

(12) **United States Design Patent**
Toroussian

(10) **Patent No.:** **US D503,446 S**
(45) **Date of Patent:** **** Mar. 29, 2005**

(54) **PUTTING HEAD**

(75) Inventor: **Vartan Toroussian**, Montreal (CA)

(73) Assignee: **Daito Precision, Inc**, St. Laurent (CA)

(**) Term: **14 Years**

(21) Appl. No.: **29/198,454**

(22) Filed: **Jan. 29, 2004**

(51) **LOC (7) Cl.** **21-02**

(52) **U.S. Cl.** **D21/736**

(58) **Field of Search** D21/736-746;
473/324-331, 340, 341, 251-256

(56) **References Cited**

U.S. PATENT DOCUMENTS

D368,751 S	*	4/1996	Rife	D21/745
D369,393 S	*	4/1996	Takahashi et al.	D21/745
D378,392 S	*	3/1997	Shumway	D21/743
5,685,784 A	*	11/1997	Butler	473/340
D395,692 S	*	6/1998	Butler	D21/742
D447,201 S	*	8/2001	Boyd	D21/752
D458,656 S	*	6/2002	Tang et al.	D21/738
6,471,600 B2		10/2002	Tang et al.		
6,506,125 B2		1/2003	Helmstetter et al.		
D479,291 S	*	9/2003	Murray	D21/742
D483,824 S	*	12/2003	Tang et al.	D21/738
D485,323 S	*	1/2004	Wagner et al.	D21/744
6,679,782 B2		1/2004	Tang et al.		

* cited by examiner

Primary Examiner—Mitchell Siegel

(74) *Attorney, Agent, or Firm*—Woodard, Emhardt, Moriarty, McNett & Henry LLP

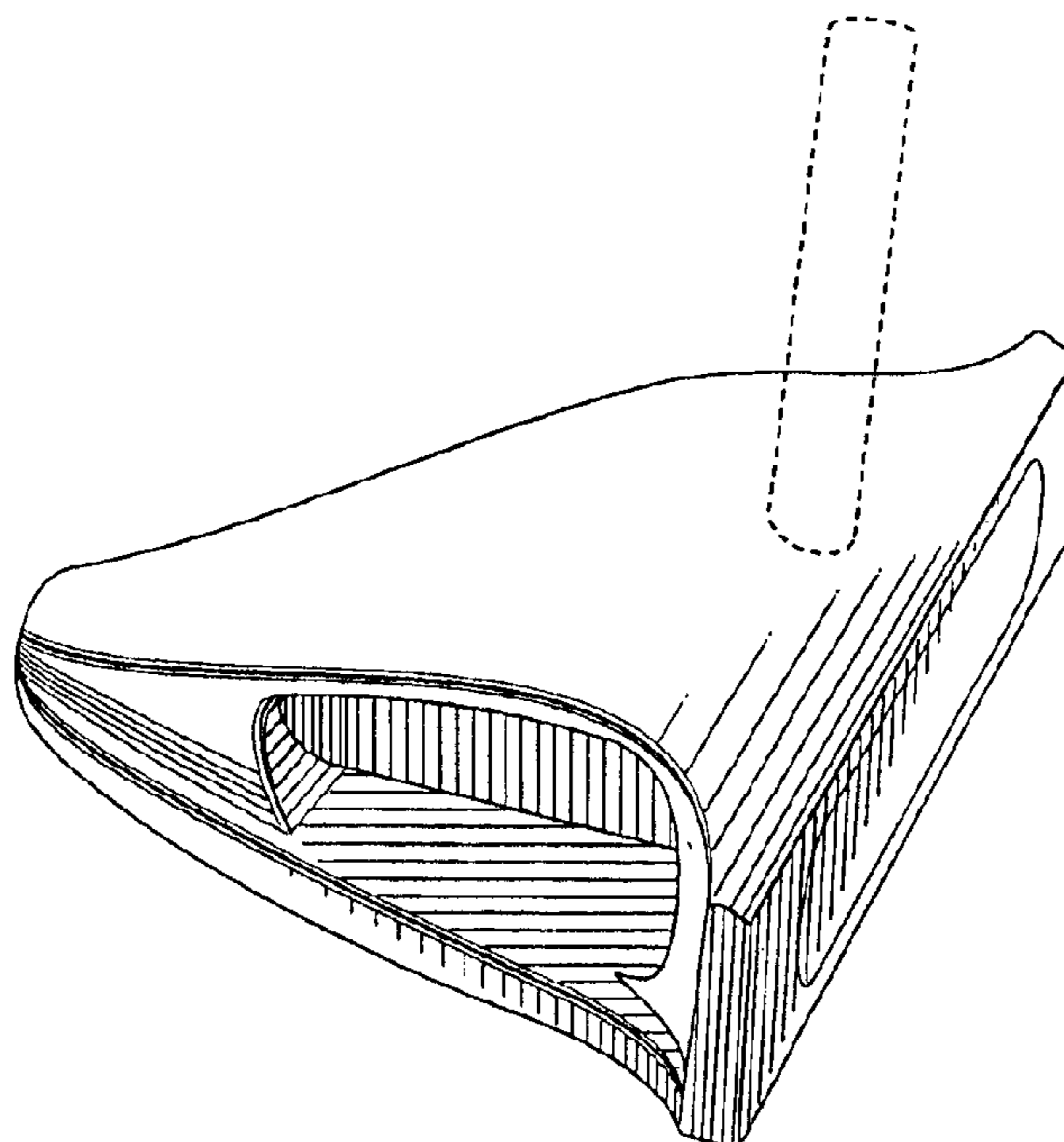
(57) **CLAIM**

I claim the ornamental design of a putting head, as shown and described.

DESCRIPTION

FIG. 1 is a perspective view of a putting head according to the present design;
 FIG. 2 is a front view of the putting head of FIG. 1;
 FIG. 3 is a left side view of the putting head of FIG. 1;
 FIG. 4 is a right side view of the putting head of FIG. 1;
 FIG. 5 is a back view of the putting head of FIG. 1;
 FIG. 6 is a top plan view of the putting head of FIG. 1;
 FIG. 7 is a bottom plan view of the putting head of FIG. 1;
 FIG. 8 is a perspective view of a putting head according to a variant of the present design;
 FIG. 9 is a front view of the putting head of FIG. 8;
 FIG. 10 is a left side view of the putting head of FIG. 8;
 FIG. 11 is a right side view of the putting head of FIG. 8;
 FIG. 12 is a back view of the putting head of FIG. 8;
 FIG. 13 is a top plan view of the putting head of FIG. 8; and,
 FIG. 14 is a bottom plan view of the putting head of FIG. 8.
 The broken lines in the figures are for illustrative purposes only and form no part of the claimed design.

1 Claim, 4 Drawing Sheets



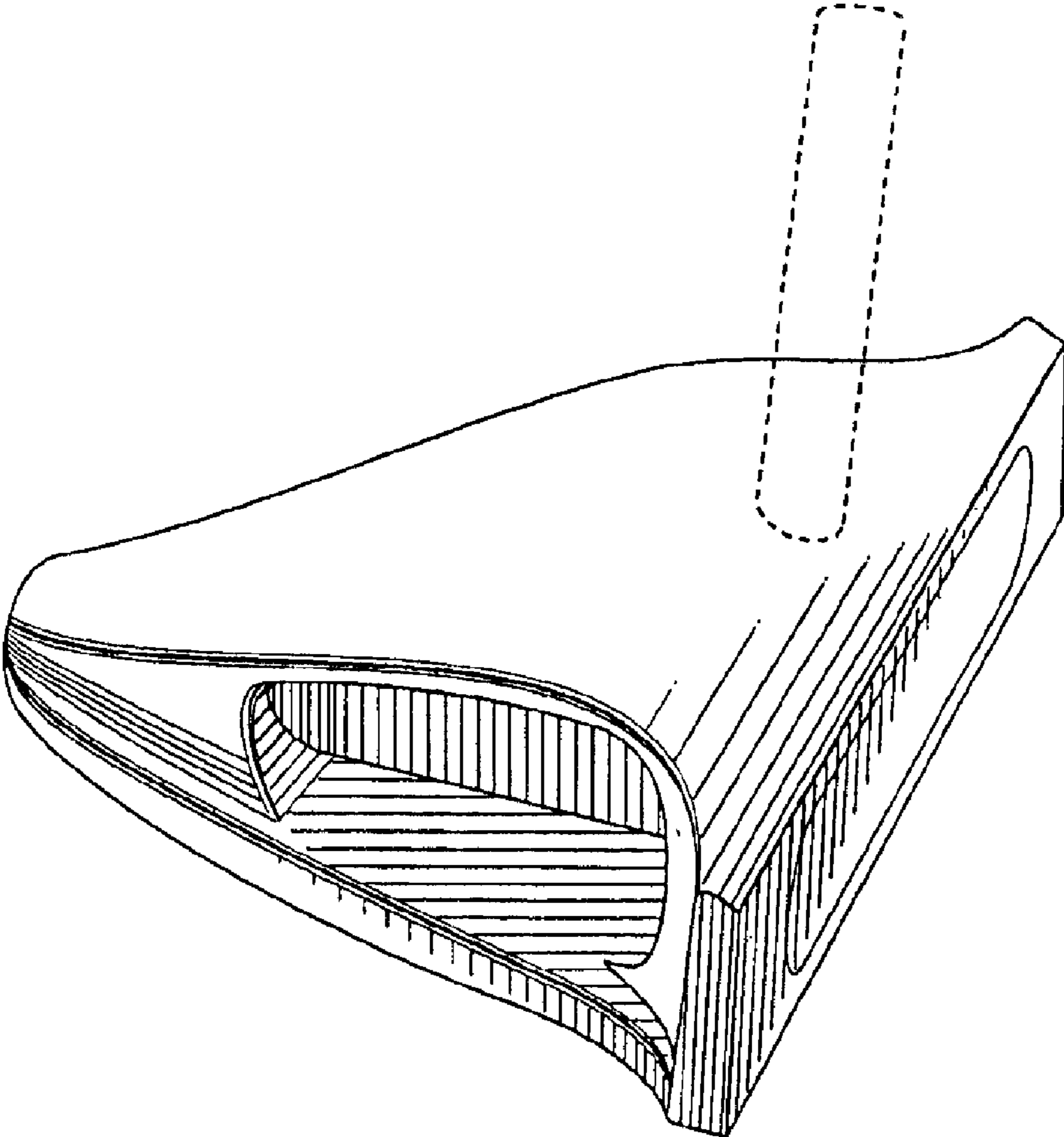


Fig-1

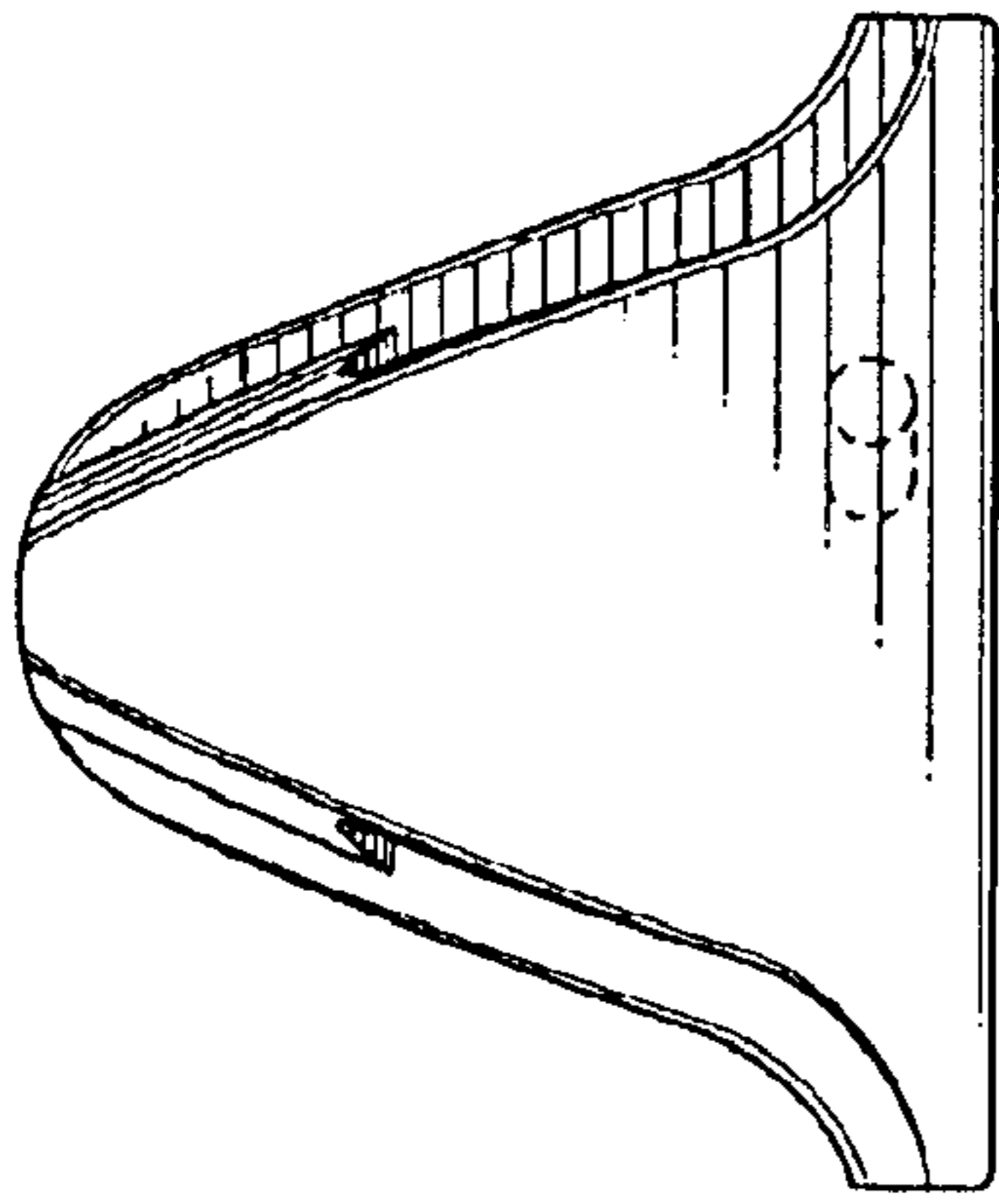


Fig-6

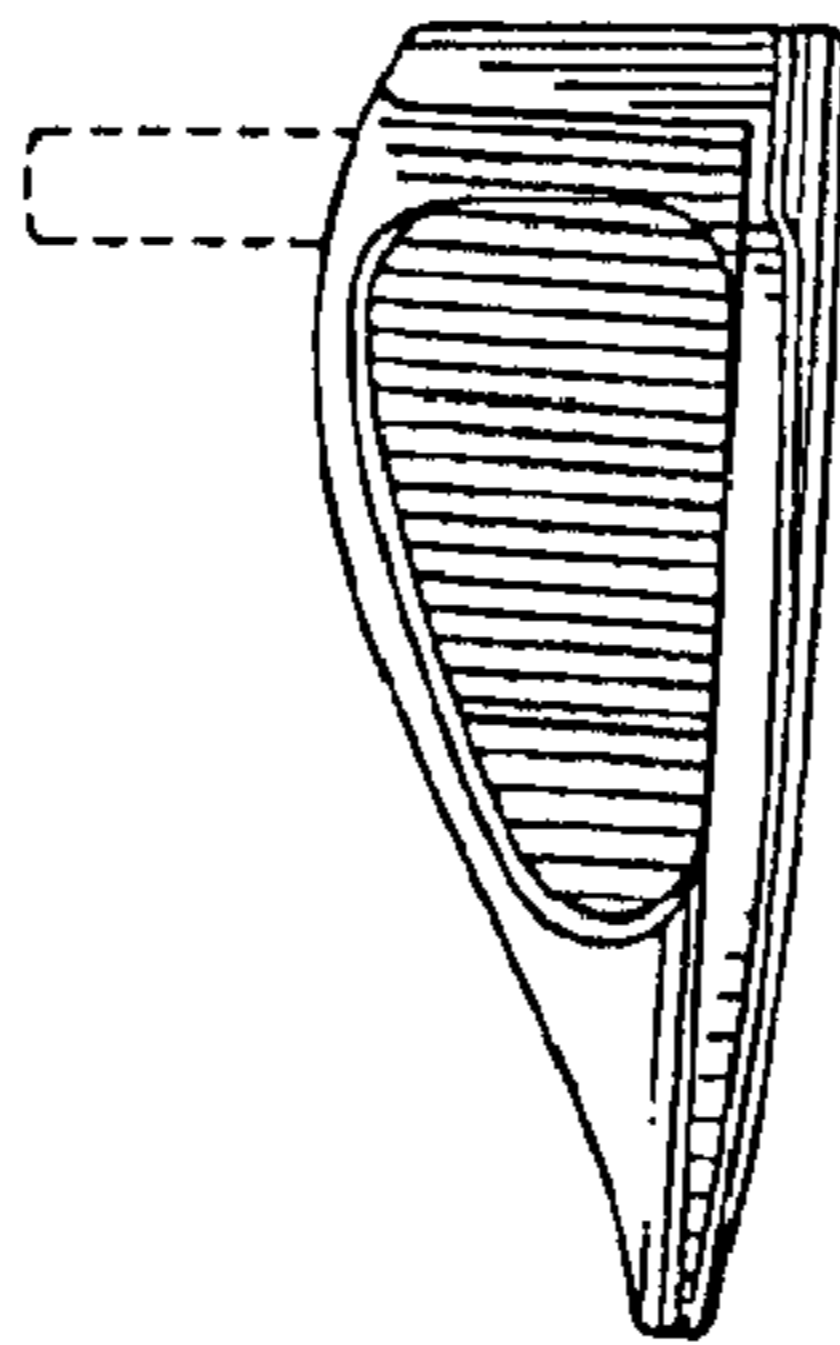


Fig-3

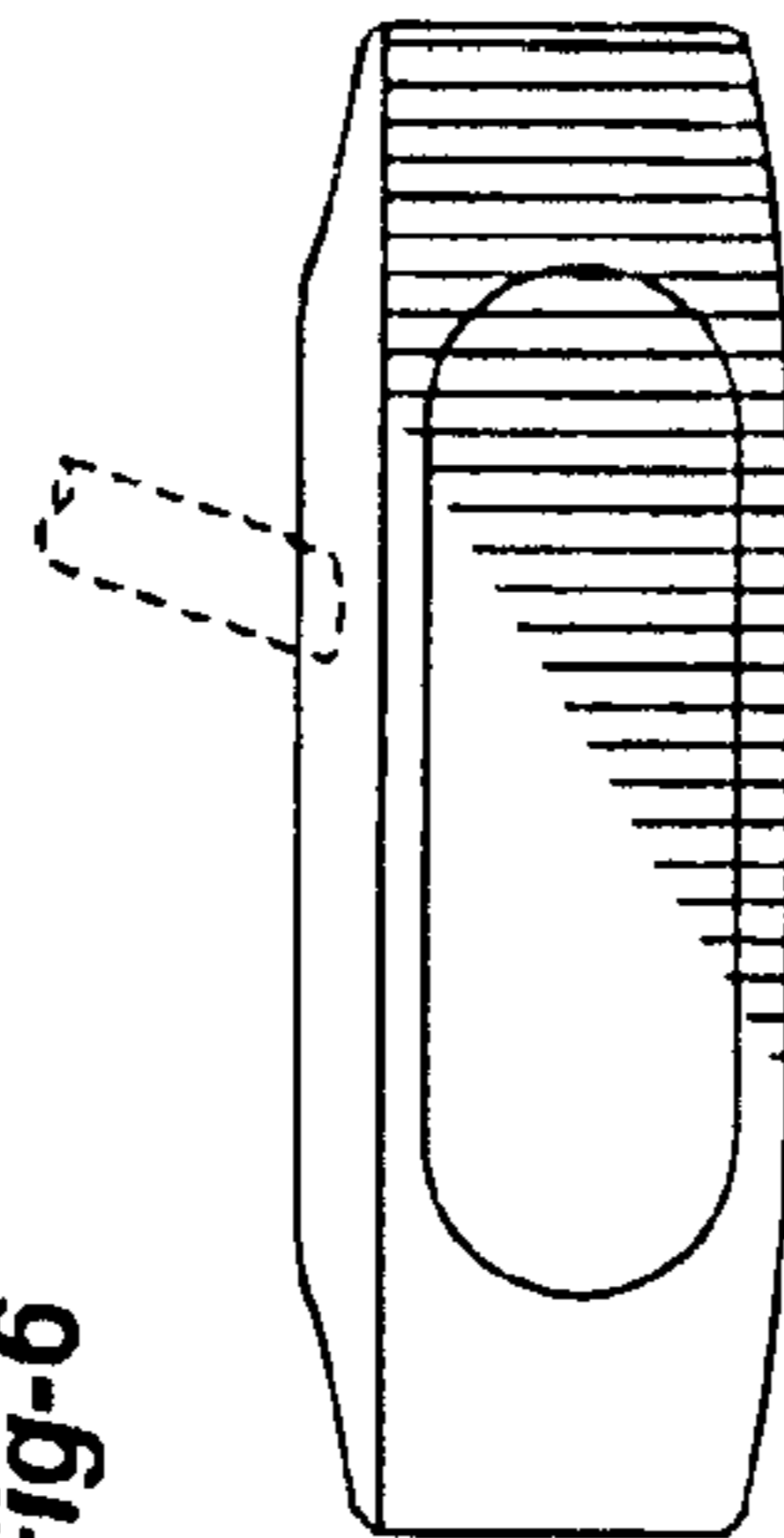


Fig-2

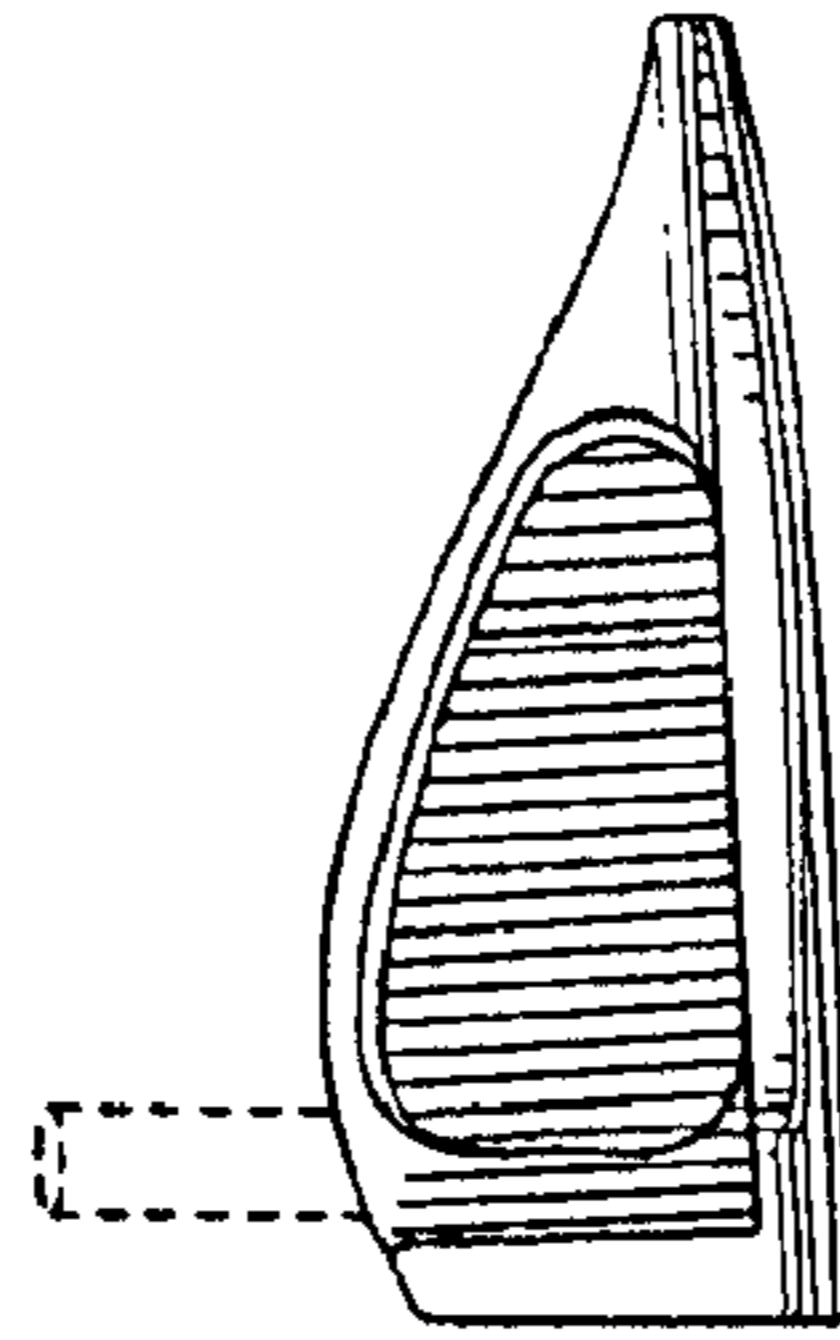


Fig-4

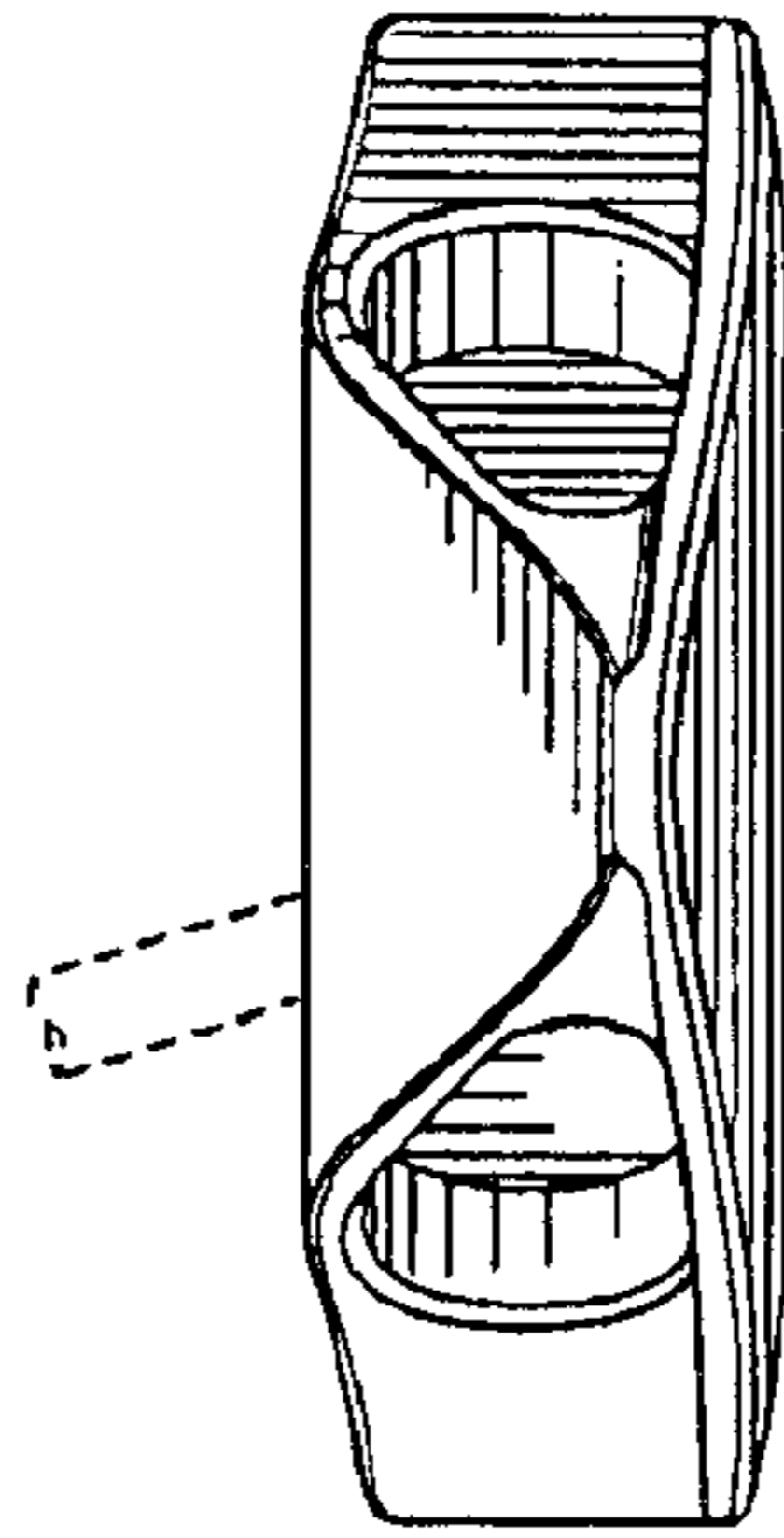


Fig-5

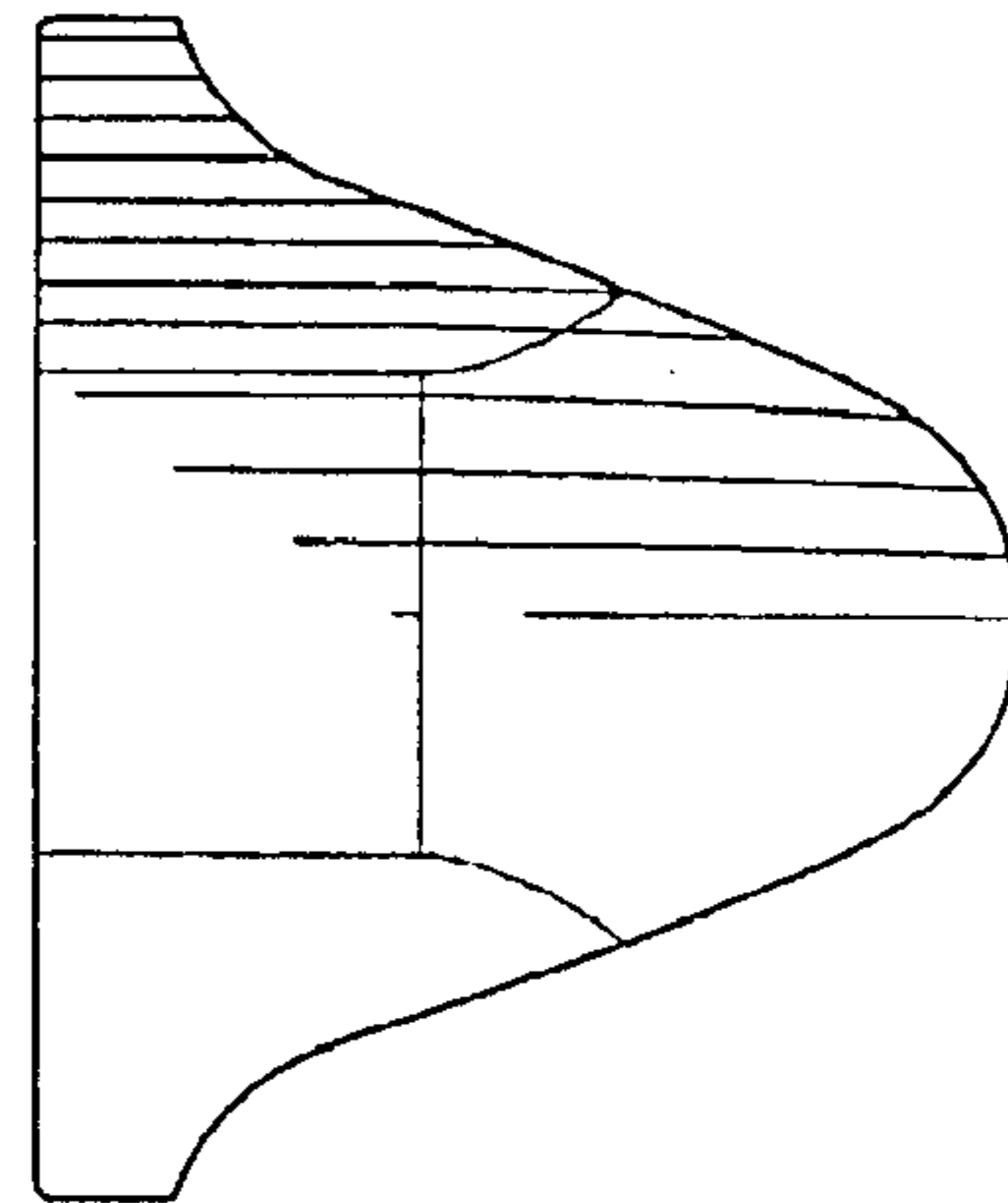


Fig-7

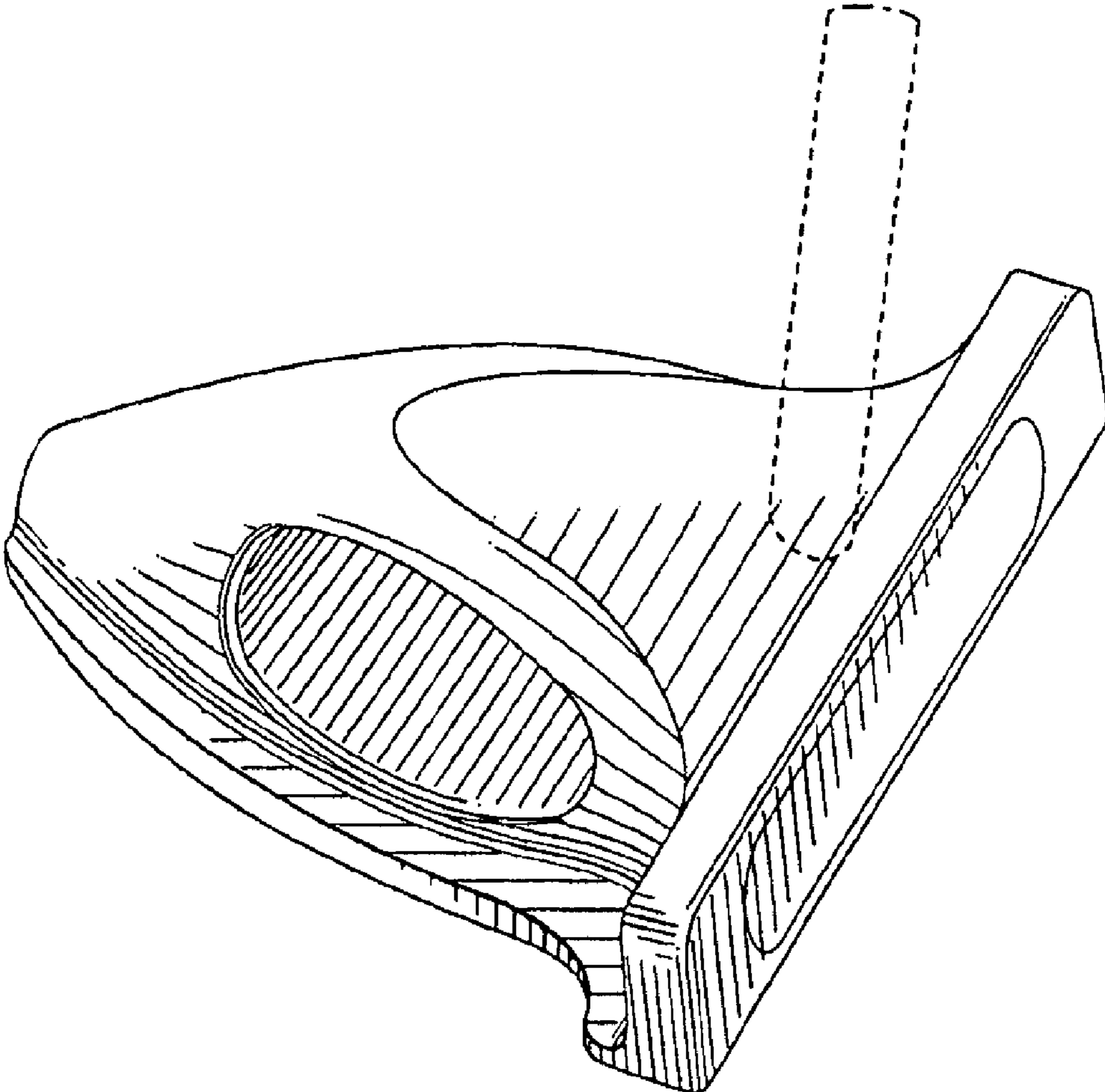


Fig-8

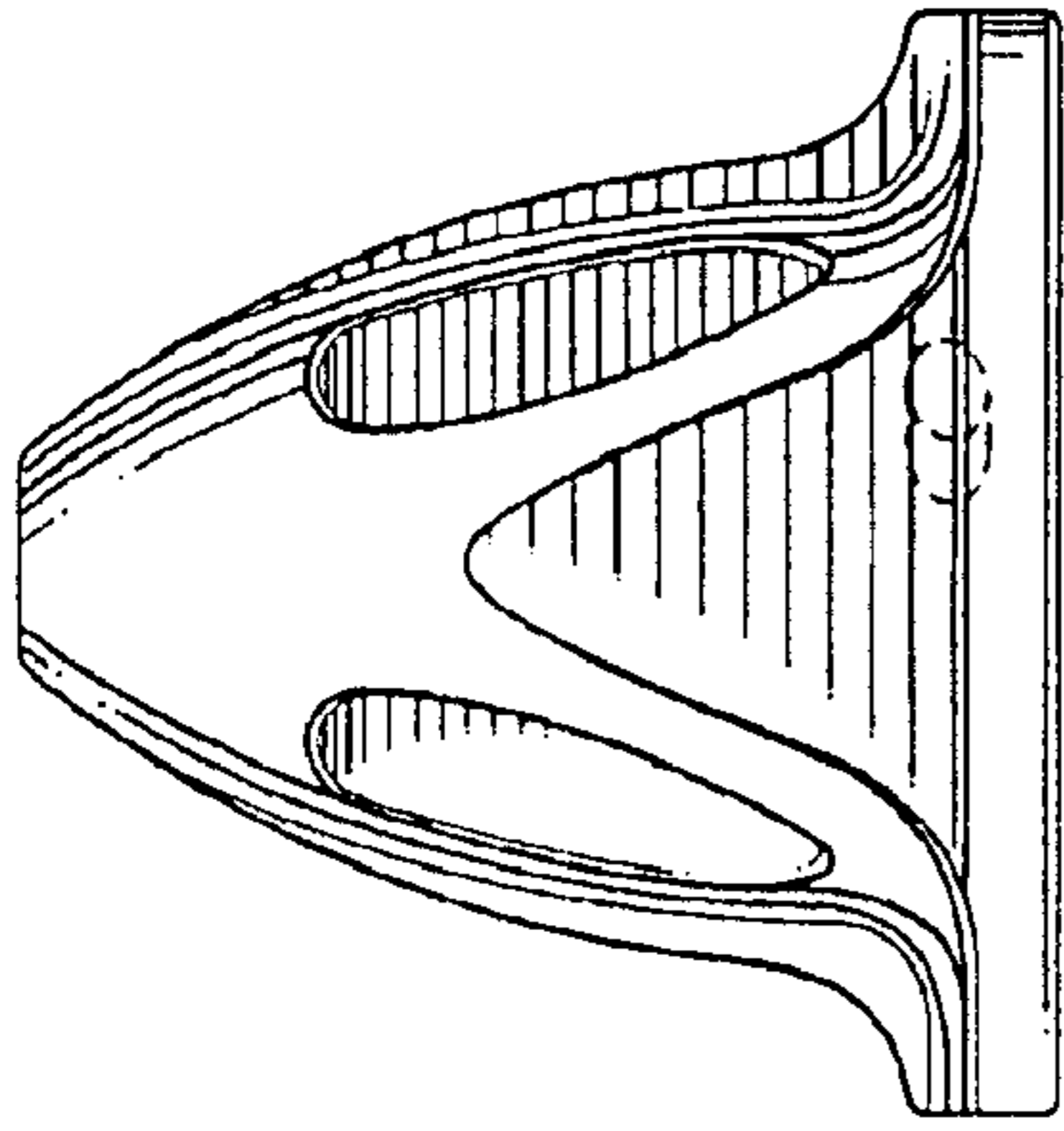


Fig-13

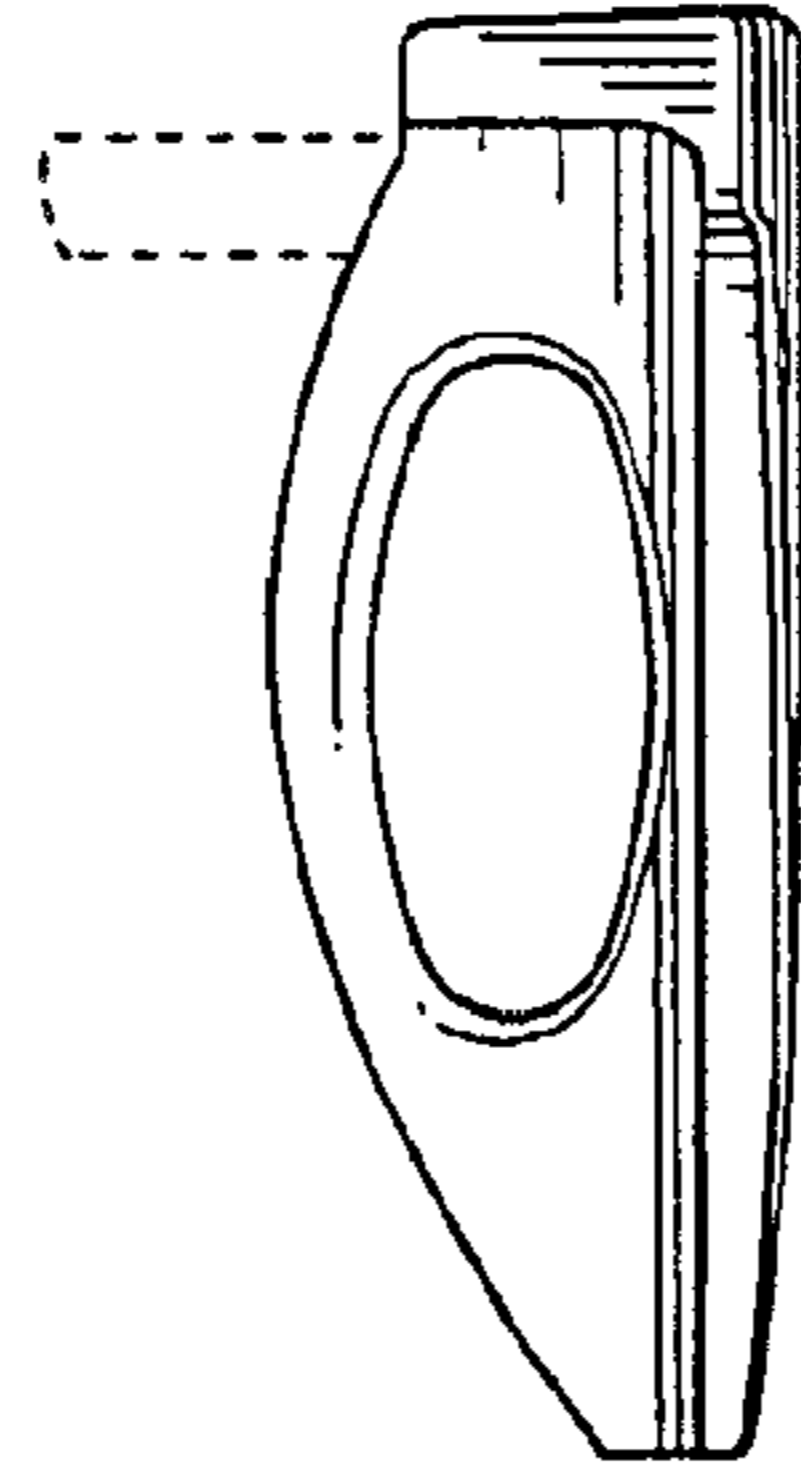


Fig-10

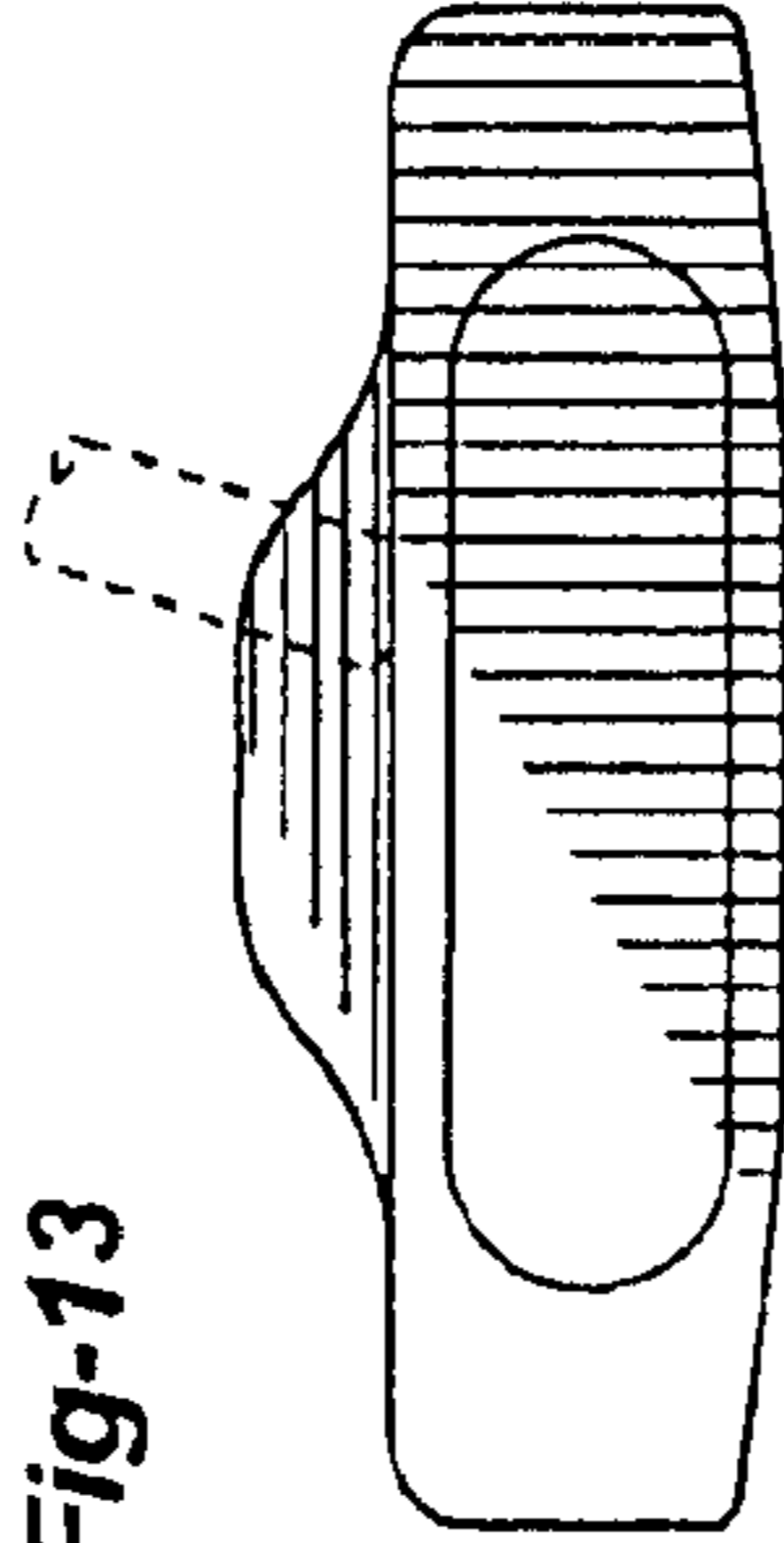


Fig-9

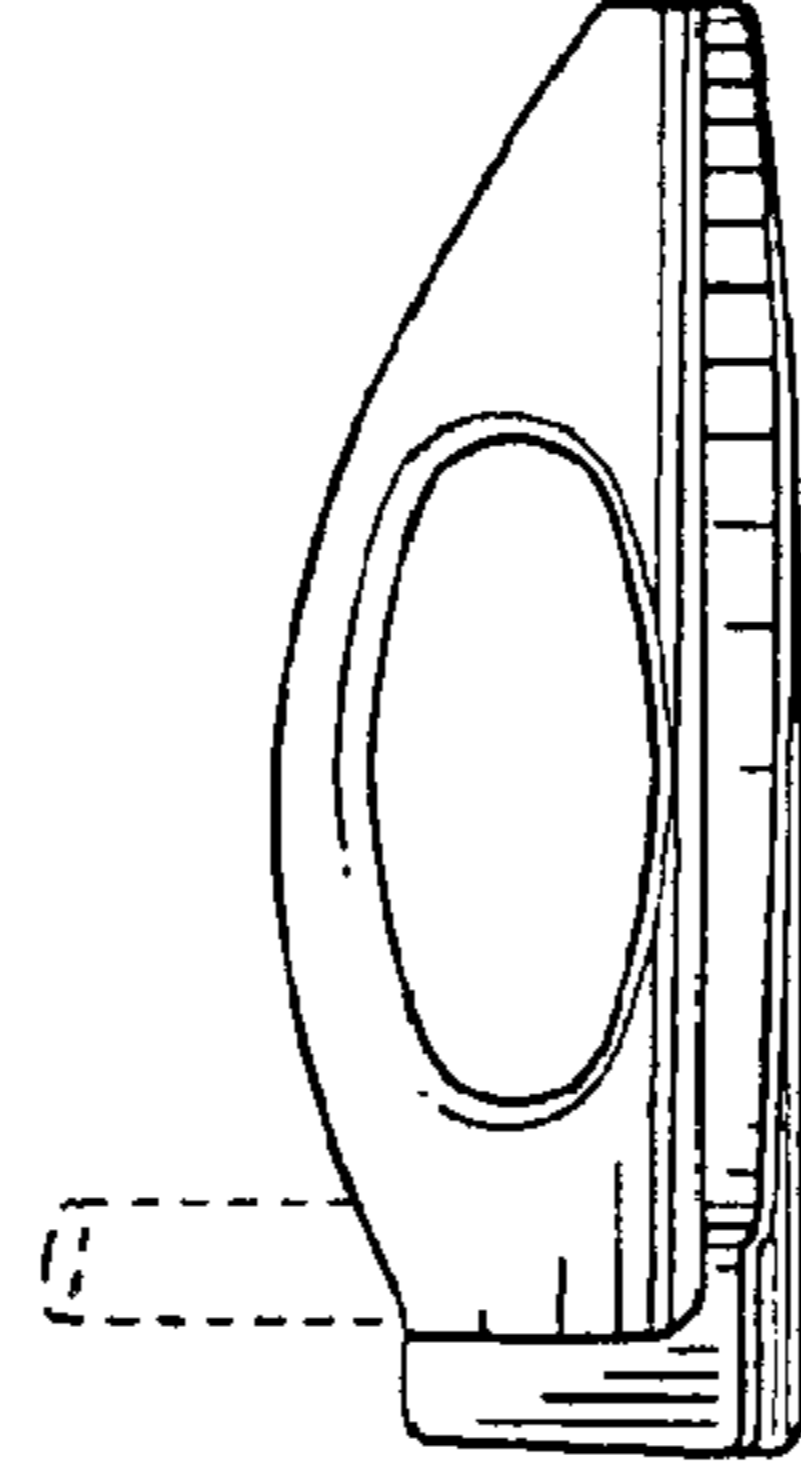


Fig-11

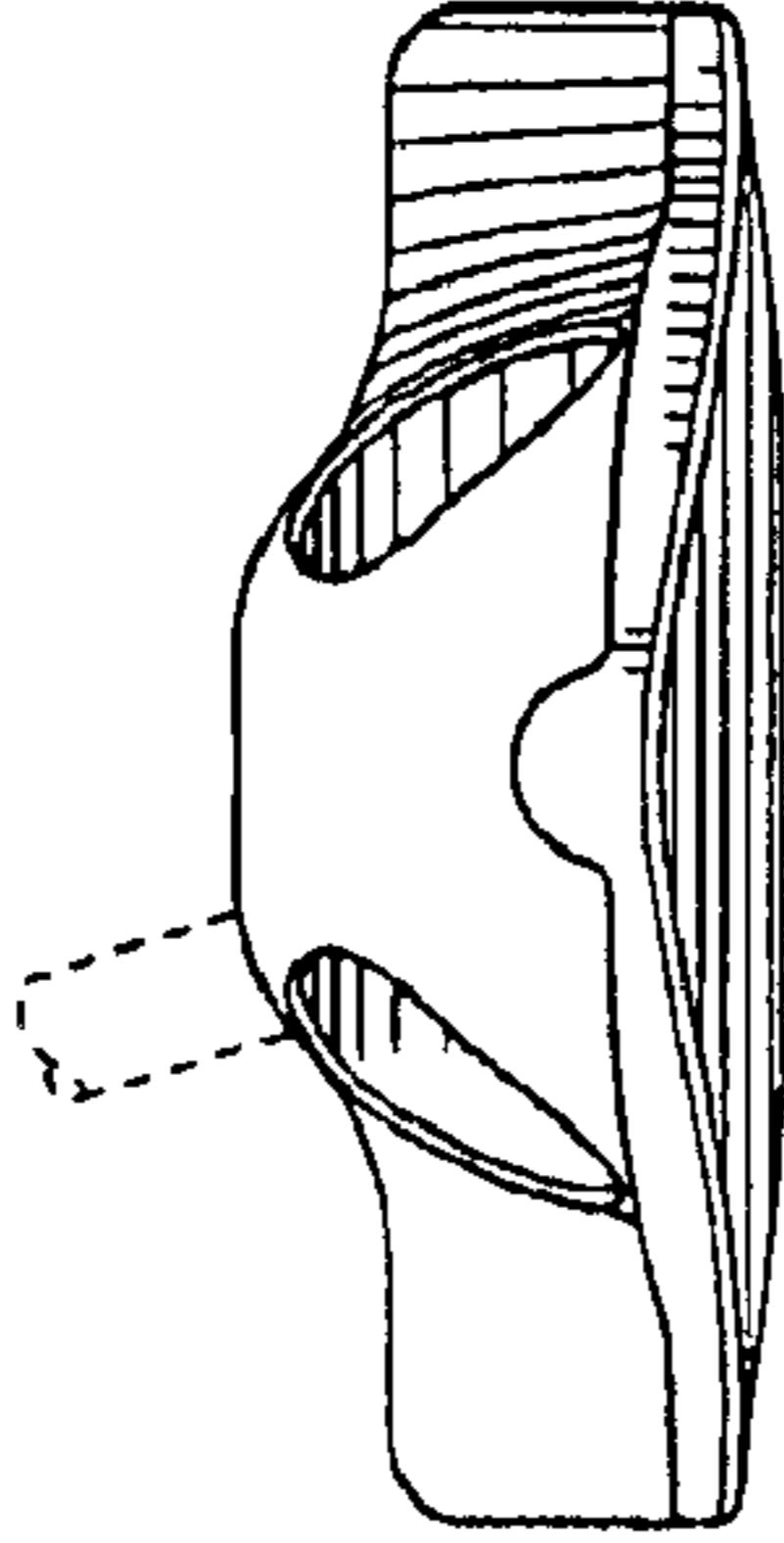


Fig-12

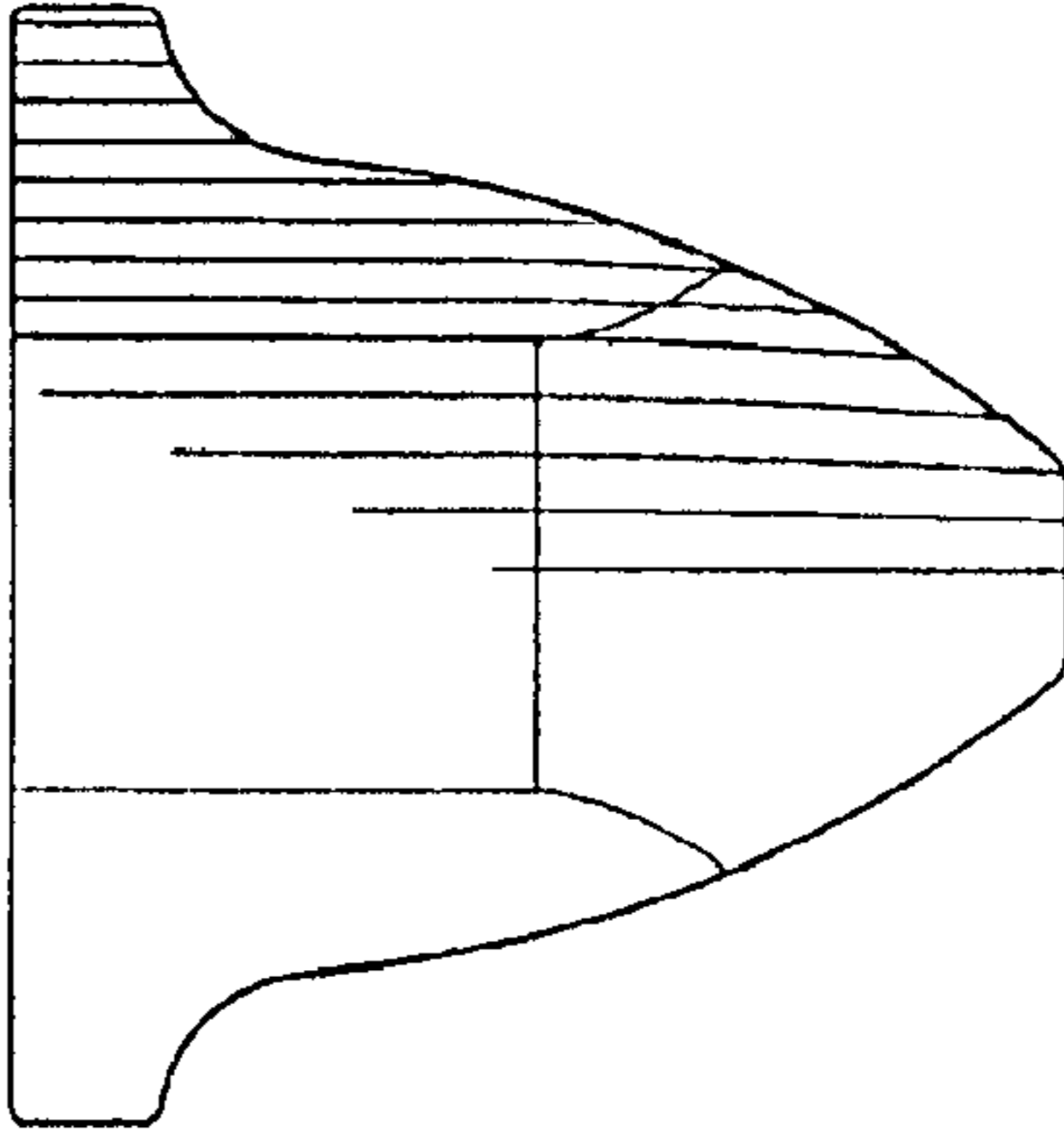


Fig-14