

US00D503445S

(12) **United States Design Patent**
Toroussian

(10) **Patent No.:** **US D503,445 S**
(45) **Date of Patent:** **** Mar. 29, 2005**

(54) **PUTTING HEAD**

(75) **Inventor:** **Vartan Toroussian, Montreal (CA)**

(73) **Assignee:** **Daito Precision, Inc., St. Laurent (CA)**

(**) **Term:** **14 Years**

(21) **Appl. No.:** **29/198,453**

(22) **Filed:** **Jan. 29, 2004**

(51) **LOC (7) Cl. 21-02**

(52) **U.S. Cl. D21/736**

(58) **Field of Search D21/736-746;**
473/324-331, 340, 341, 251-256

(56) **References Cited**

U.S. PATENT DOCUMENTS

D368,751 S	*	4/1996	Rife	D21/745
D369,393 S	*	4/1996	Takahashi et al.	D21/745
D378,392 S	*	3/1997	Shumway	D21/743
5,685,784 A	*	11/1997	Butler	473/340
D395,692 S	*	6/1998	Butler	D21/742
D447,201 S	*	8/2001	Boyd	D21/752
D458,656 S	*	6/2002	Tang et al.	D21/738
6,471,600 B2		10/2002	Tang et al.		
6,506,125 B2		1/2003	Helmstetter et al.		

D479,291 S	*	9/2003	Murray	D21/742
D483,824 S	*	12/2003	Tang et al.	D21/738
D485,323 S	*	1/2004	Wagner et al.	D21/744
6,679,782 B2		1/2004	Tang et al.		

* cited by examiner

Primary Examiner—Mitchell Siegel

(74) *Attorney, Agent, or Firm*—Woodard, Emhardt, Moriarty, McNett & Henry LLP

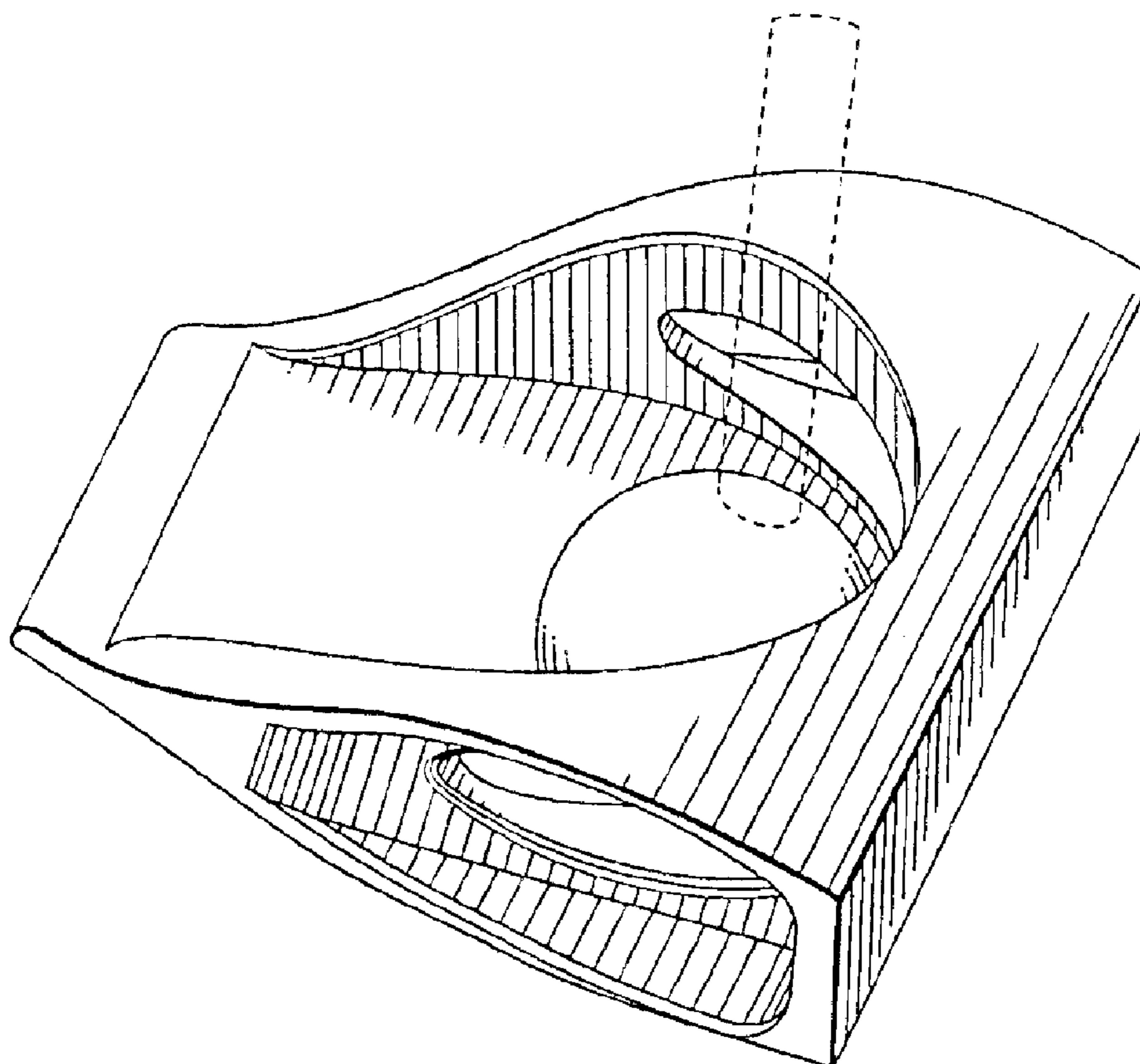
(57) **CLAIM**

I claim the ornamental design of a putting head, as shown and described.

DESCRIPTION

FIG. 1 is a perspective view of a putting head according to the present design;
FIG. 2 is a front view of the putting head of FIG. 1;
FIG. 3 is a left side of the putting head of FIG. 1;
FIG. 4 is a right side view of the putting head of FIG. 1;
FIG. 5 is a back view of the putting head of FIG. 1;
FIG. 6 is a top plan view of the putting head of FIG. 1; and,
FIG. 7 is a bottom plan view of the putting head of FIG. 1.
The broken lines in the figures are for illustrative purposes only and form no part of the claimed design.

1 Claim, 2 Drawing Sheets



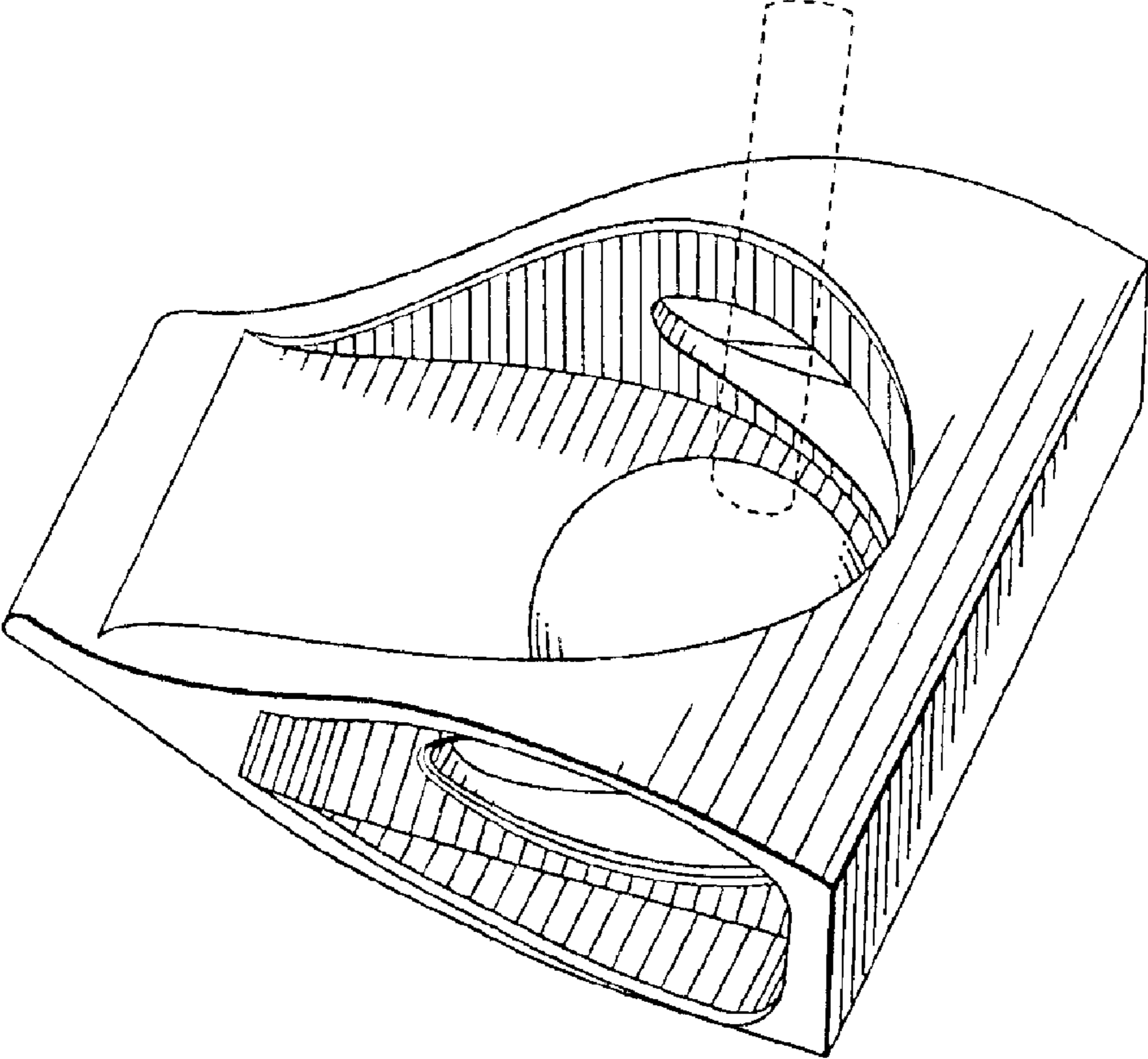


Fig-1

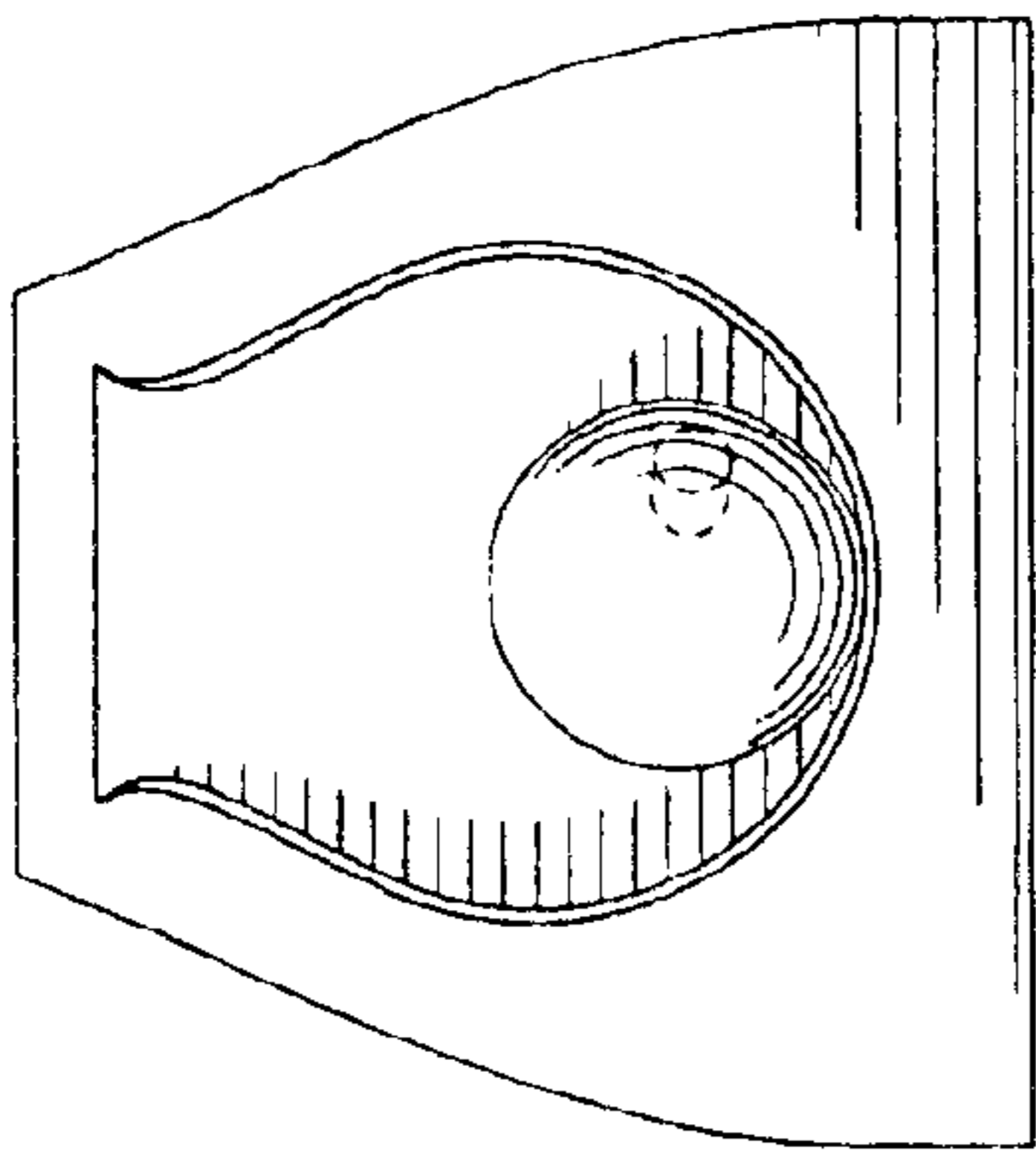


Fig-6

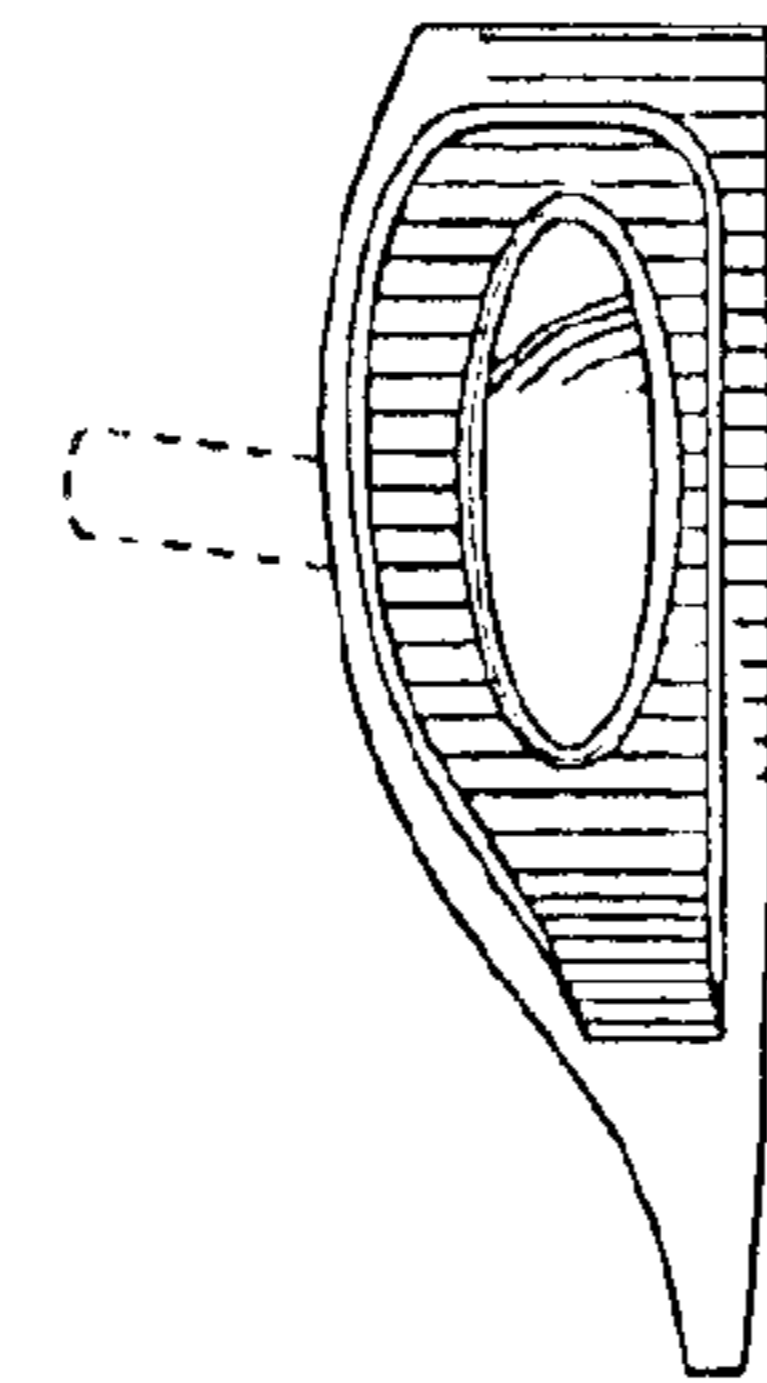


Fig-3

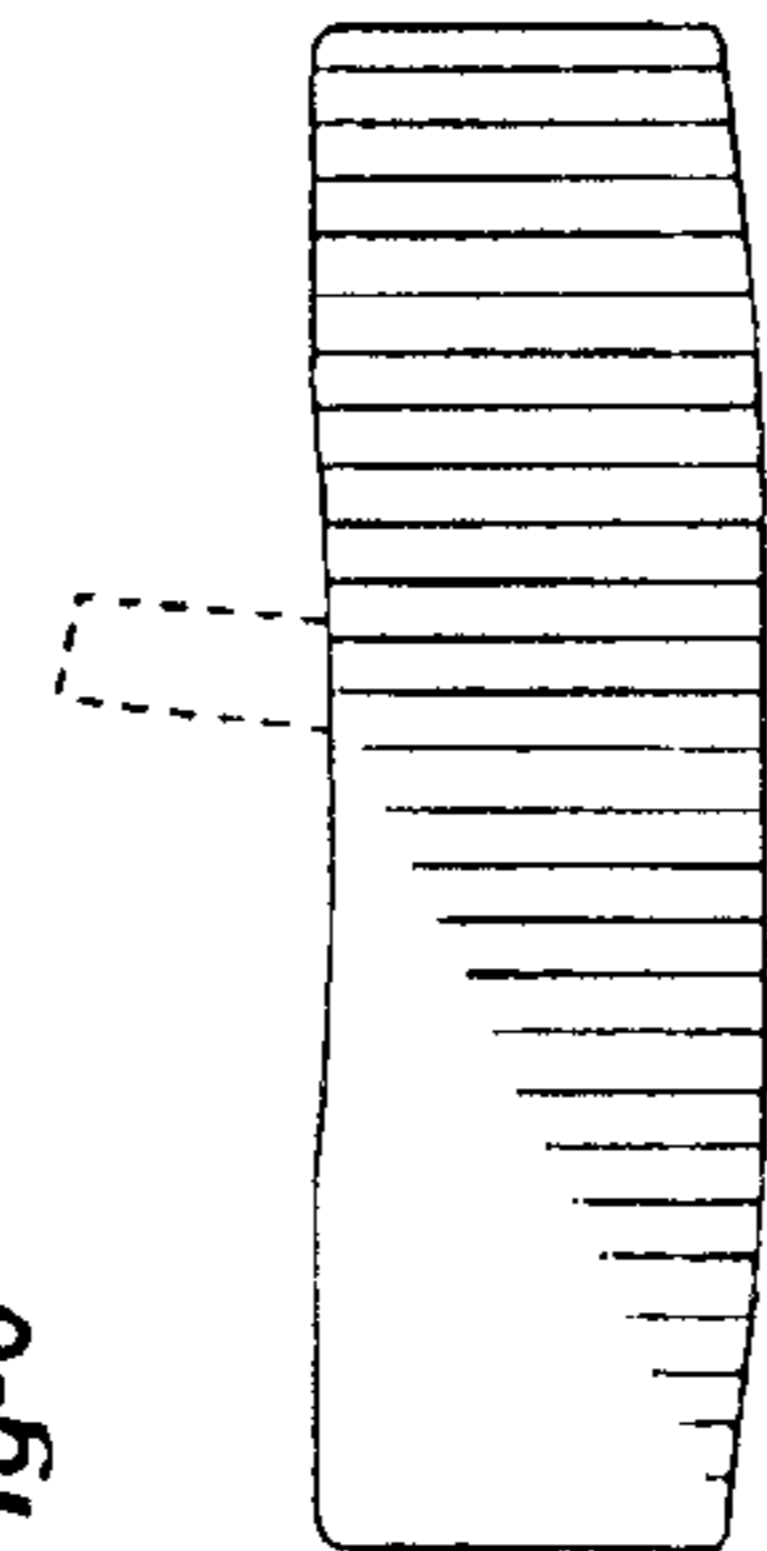


Fig-2

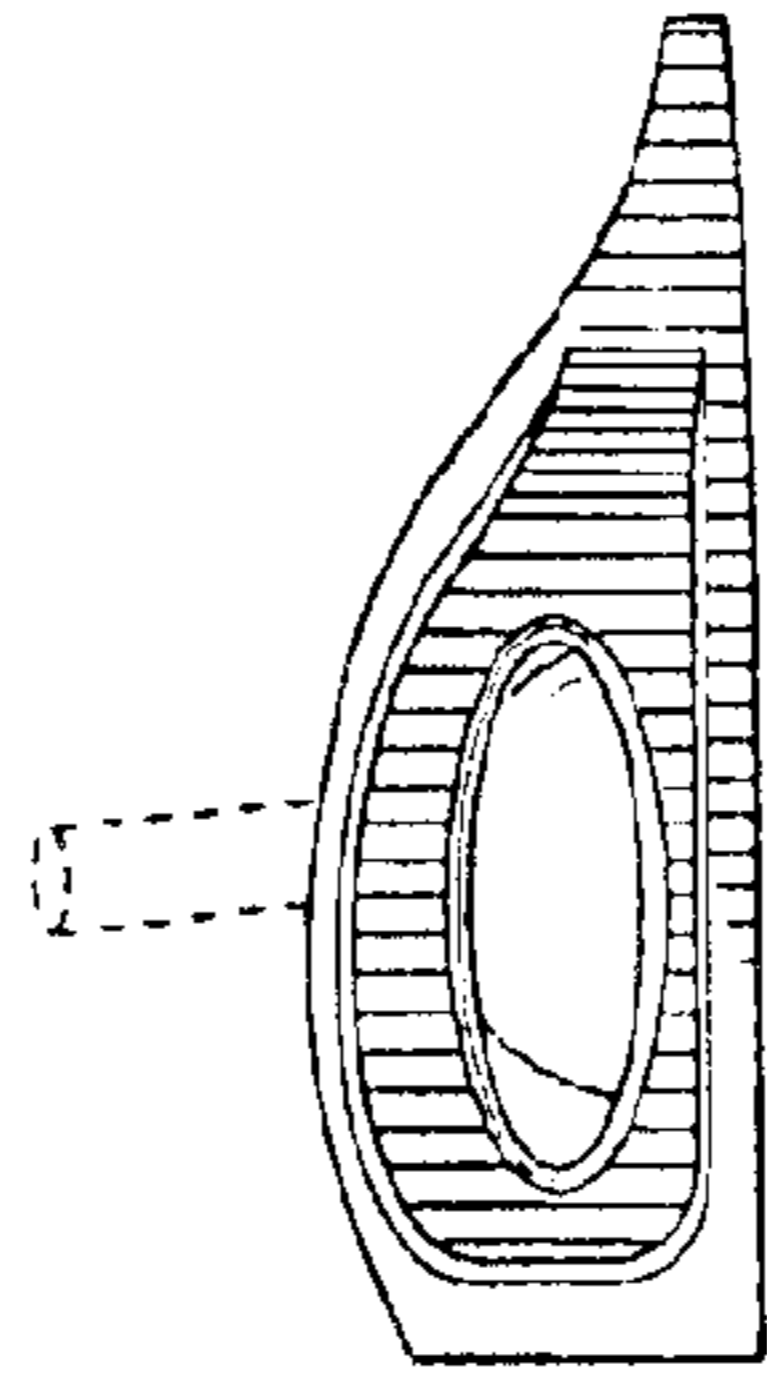


Fig-4

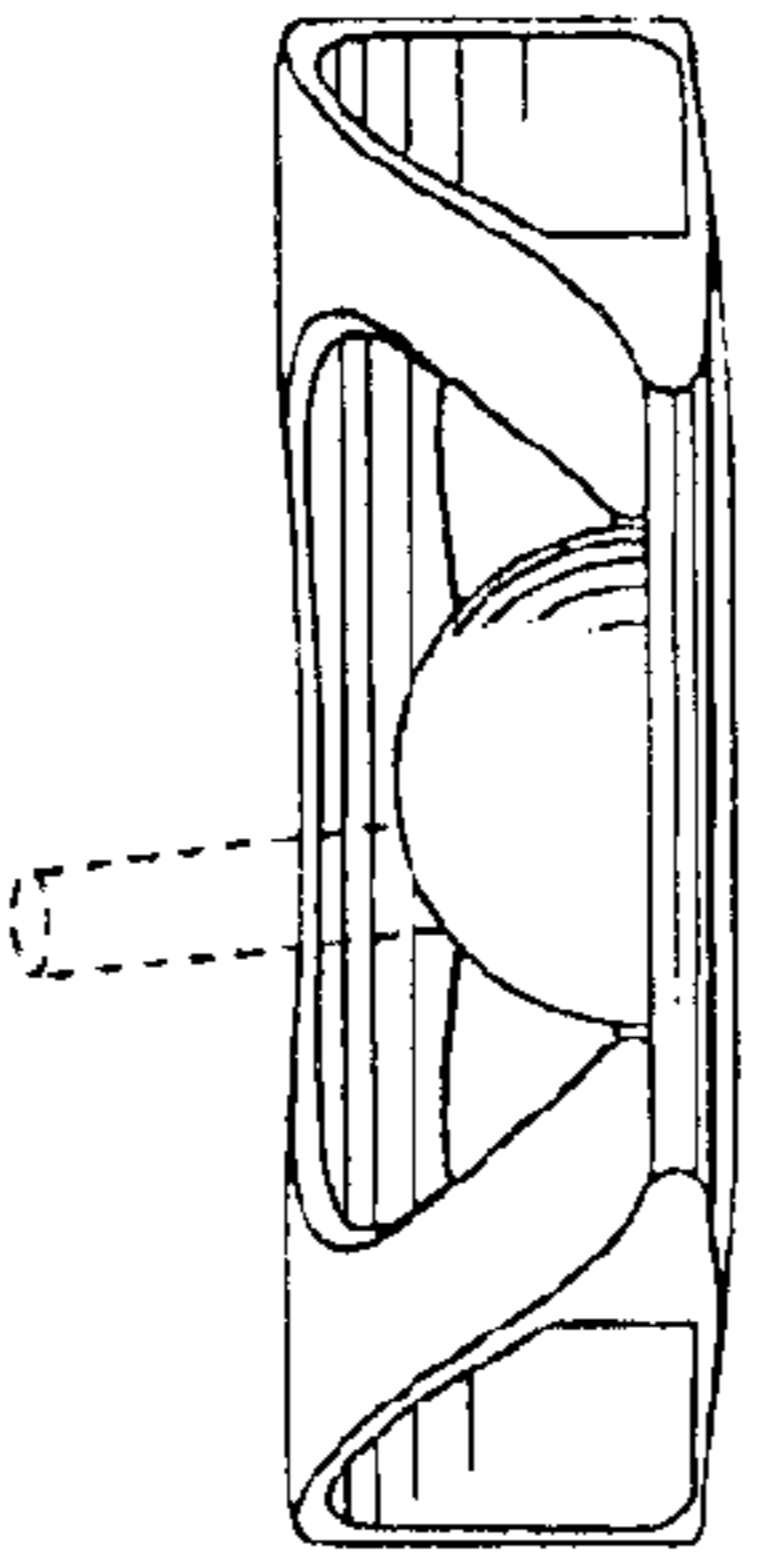


Fig-5

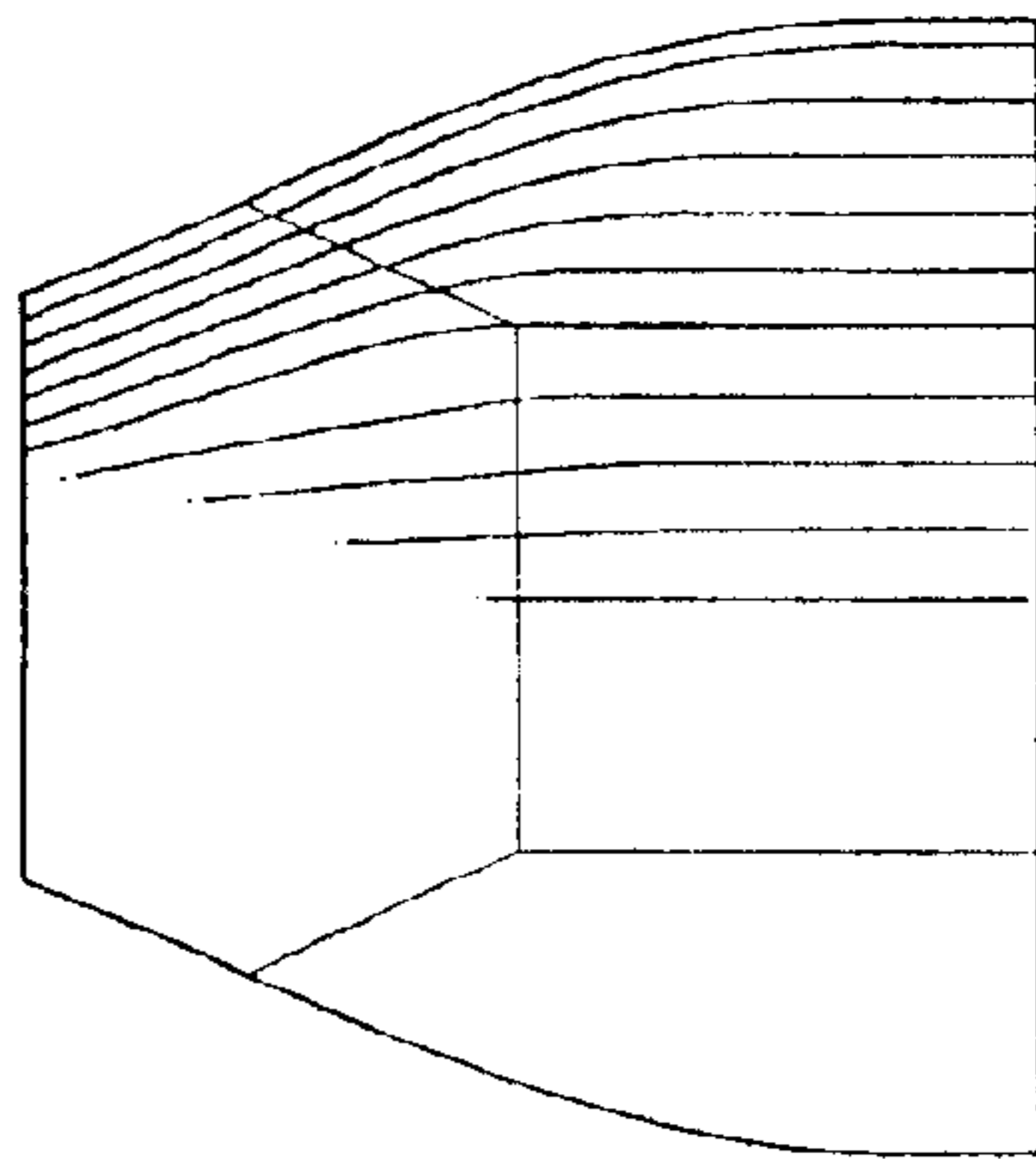


Fig-7