



US00D503440S

(12) **United States Design Patent**
Weiser et al.

(10) **Patent No.:** **US D503,440 S**
(45) **Date of Patent:** **** Mar. 29, 2005**

(54) **FISH NOVELTY**

(75) Inventors: **Margaret Weiser**, Tarzana, CA (US);
Shari Weiser, Woodland Hills, CA (US)

(73) Assignee: **Exhart Environmewntal Systems, Inc.**, Chatsworth, CA (US)

(**) **Term:** **14 Years**

(21) **Appl. No.:** **29/185,733**

(22) **Filed:** **Jul. 1, 2003**

(51) **LOC (7) Cl.** **21-01**

(52) **U.S. Cl.** **D21/599**; D11/158

(58) **Field of Search** D21/576-661,
D21/438, 439, 458, 585; D11/50, 82, 127,
131, 134, 157, 158, 162, 164; D9/310;
D10/54, 59; D20/30; D22/125, 126, 128-133;
446/34-36, 87, 97, 102, 119, 153, 156,
159, 176, 199, 201, 217, 218, 226, 236-238,
268-385, 390, 391, 486, 487, 490; 73/170.01,
170.05; 40/409, 411, 412, 413, 417-420;
428/12, 13, 16, 28, 31, 542.2, 542.4, 542.6

(56) **References Cited**

U.S. PATENT DOCUMENTS

D141,467 S * 6/1945 Katz D11/50

3,271,897 A * 9/1966 Gelinas 446/153
D213,013 S * 12/1968 Klingberg D11/158
5,282,766 A * 2/1994 Fleet 446/72
D404,683 S * 1/1999 Kostic D11/158
D436,552 S * 1/2001 Sheridan D11/158
6,179,683 B1 * 1/2001 Pell et al. 446/154
D470,909 S * 2/2003 Dalpaos D22/133
6,572,428 B1 * 6/2003 Weiser et al. 446/35

* cited by examiner

Primary Examiner—Catherine Tuttle

(74) *Attorney, Agent, or Firm*—Cislo & Thomas LLP

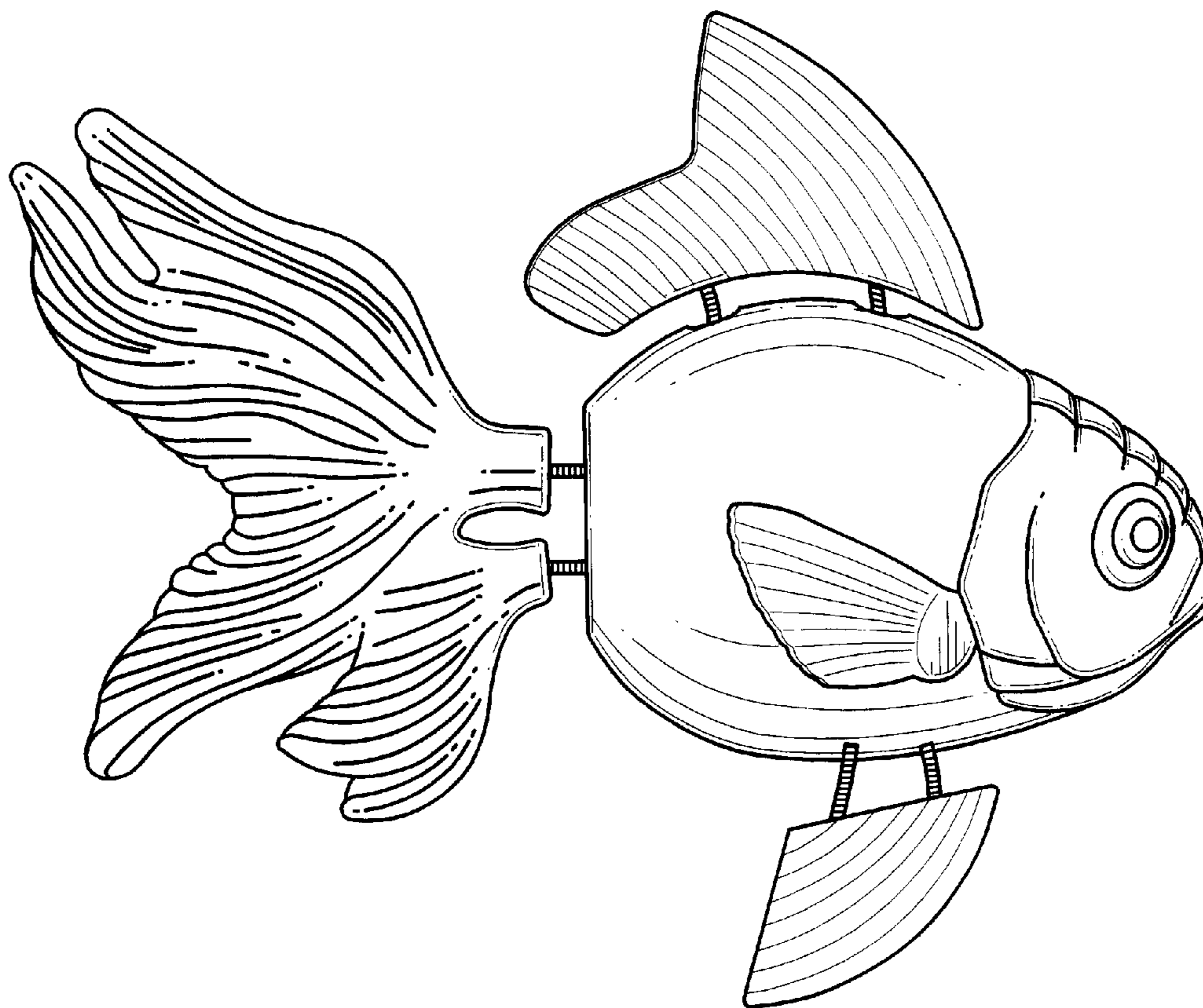
(57) **CLAIM**

The ornamental design for a fish novelty, as shown and described herein.

DESCRIPTION

FIG. 1. Is a left side elevational view of our fish novelty with the right side elevational view being a mirror image thereof;
FIG. 2. Is a top plan view thereof;
FIG. 3. Is a bottom plan view thereof;
FIG. 4. Is a front elevational view thereof; and,
FIG. 5. Is a rear elevational view thereof.

1 Claim, 2 Drawing Sheets



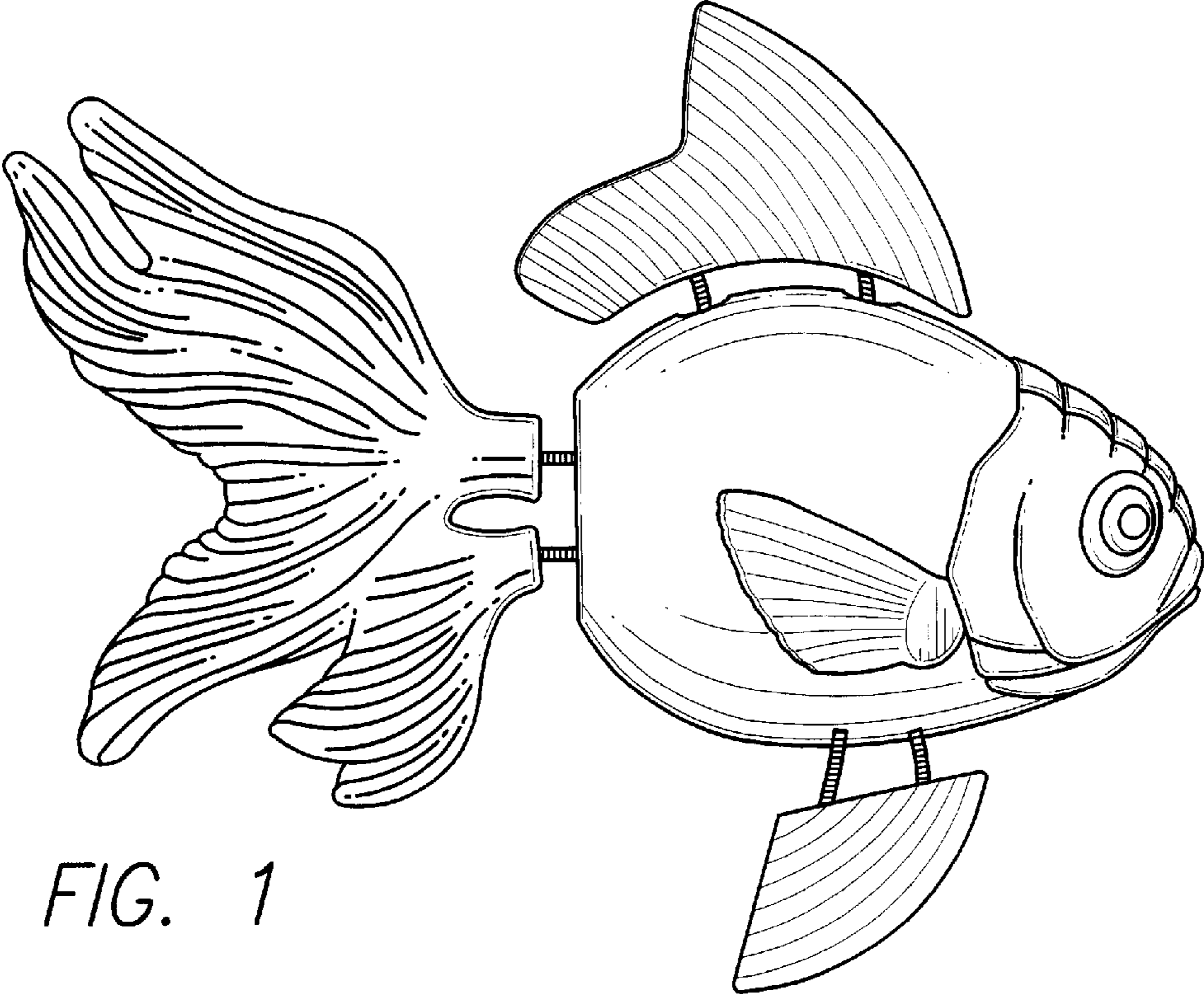


FIG. 1

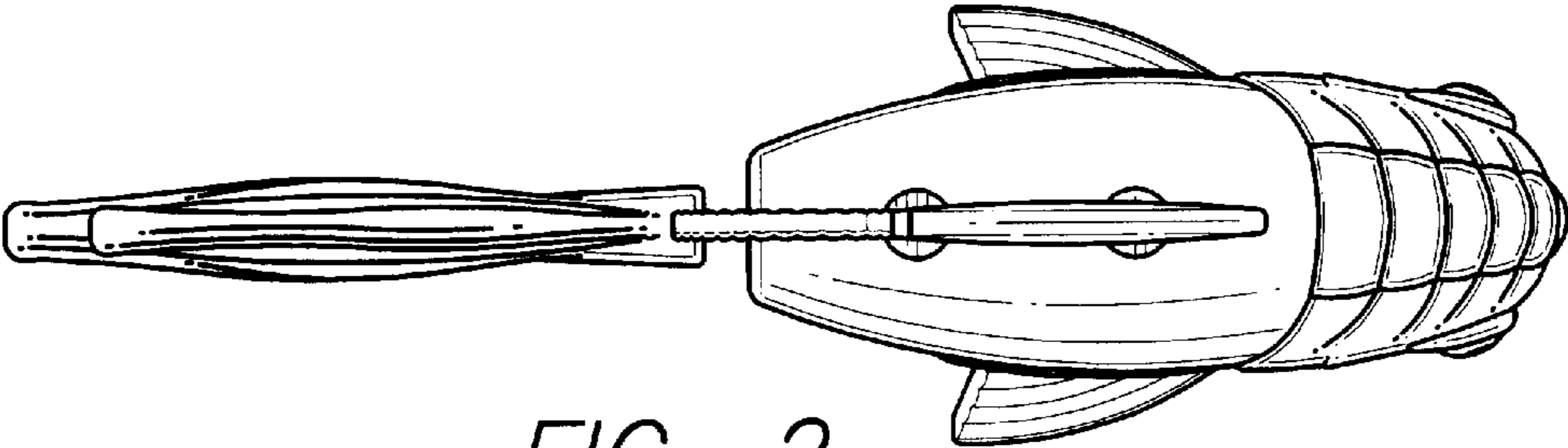


FIG. 2

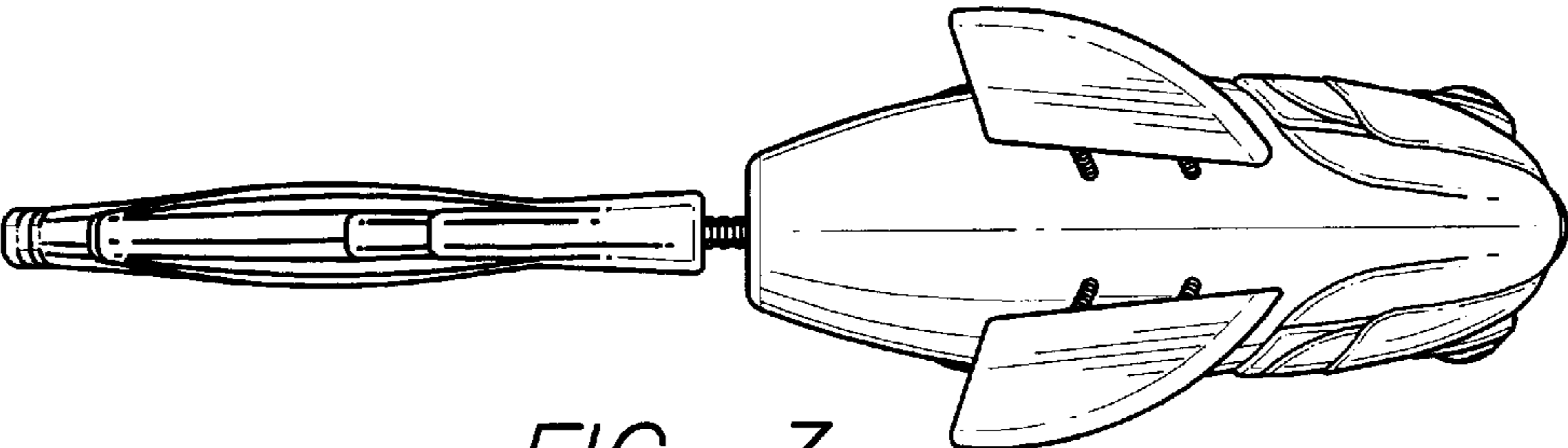


FIG. 3

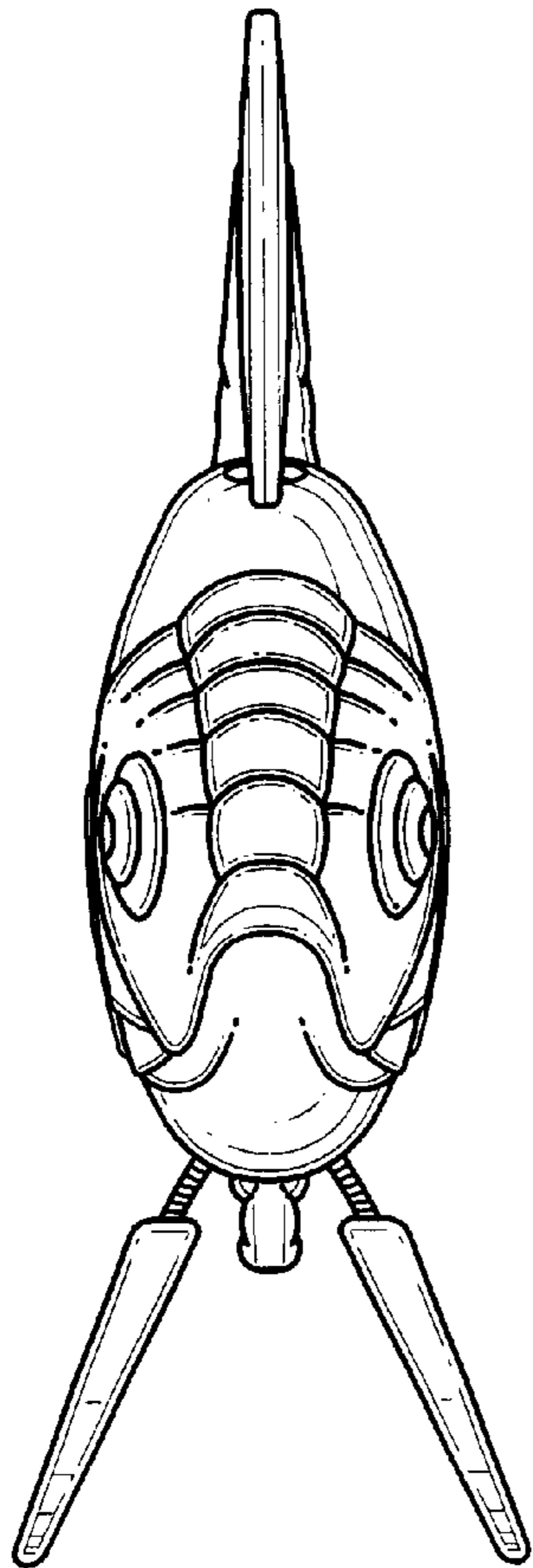


FIG. 4

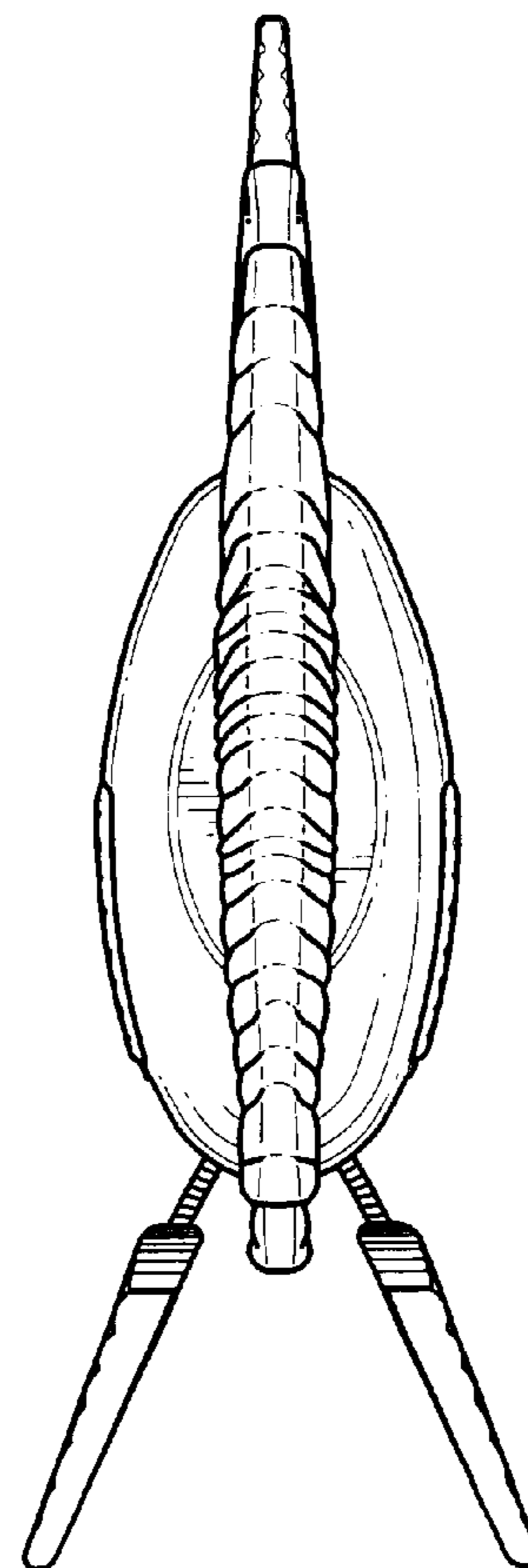


FIG. 5