



US00D503437S

(12) **United States Design Patent**
Wang

(10) **Patent No.:** **US D503,437 S**

(45) **Date of Patent:** **** Mar. 29, 2005**

(54) **TAIL FOR A FLYING TOY**

6,254,446 B1 * 7/2001 Thigpen 441/79

(76) Inventor: **Jung-Yuan (Jay) Wang**, 2026 Jacamar Court, Mississauga, Ontario (CA), L5R 3P5

* cited by examiner

Primary Examiner—Stella Reid

Assistant Examiner—C. Tuttle

(**) Term: **14 Years**

(74) *Attorney, Agent, or Firm*—Bereskin & Parr

(21) Appl. No.: **29/191,844**

(57) **CLAIM**

(22) Filed: **Oct. 16, 2003**

The ornamental design for a tail for a flying toy, as shown and described.

(51) **LOC (7) Cl.** **21-01**

DESCRIPTION

(52) **U.S. Cl.** **D21/453; D21/445**

(58) **Field of Search** D21/436-454,
D21/707-714, 802-807; 446/30-68, 487-490;
473/569-576, 578-586, 588, 589, 613;
244/3.24-3.27, 87, 91, 153 R, 154, 155 R,
153 A, 155 A

FIG. 1 is a front, top and right side perspective view of the new design shown connected as part of an exemplary flying toy to illustrate its immediate environment;

FIG. 2 is a magnified view of FIG. 1 without the environment;

FIG. 3 is a rear, bottom and left side perspective view thereof;

FIG. 4 is a front elevational view thereof;

FIG. 5 is a right side elevational view thereof;

FIG. 6 is a rear view elevational view thereof;

FIG. 7 is a left side elevational view thereof;

FIG. 8 is a top plan view thereof; and,

FIG. 9 is a bottom plan view thereof.

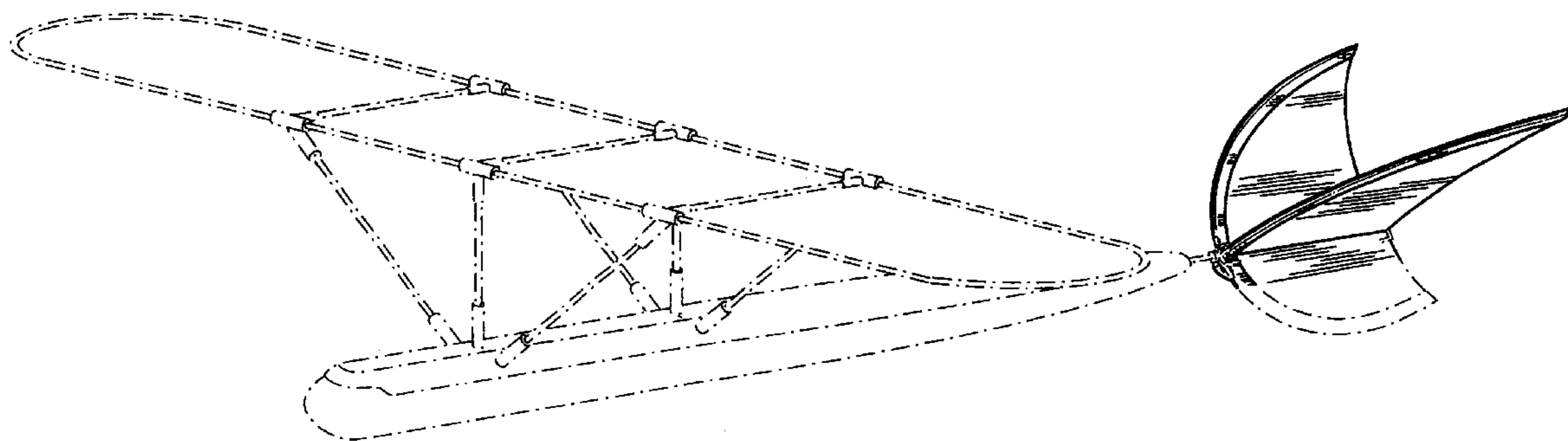
The concave broken outline portions define the bounds of the claim immediately adjacent the shaded area at the front end of the tail. All other broken lines are shown only for the purpose of illustrating the environment of the design. None of the broken lines form part of the claim.

(56) **References Cited**

U.S. PATENT DOCUMENTS

1,718,508 A	*	6/1929	White	446/225
D191,765 S	*	11/1961	Sharma	D27/148
D204,283 S	*	4/1966	Westlund	D21/449
3,392,936 A	*	7/1968	Wornom	244/13
3,826,448 A	*	7/1974	Burk, Jr.	244/91
D240,251 S	*	6/1976	Ortiz	D21/443
3,995,799 A	*	12/1976	Bartolini	244/16
4,047,679 A	*	9/1977	Decroix	244/16
D347,674 S	*	6/1994	Delaney et al.	D21/833
D366,912 S	*	2/1996	Theriot	D21/441
6,206,747 B1	*	3/2001	Skwarek	446/217
D442,655 S	*	5/2001	Schneider	D21/712

1 Claim, 5 Drawing Sheets



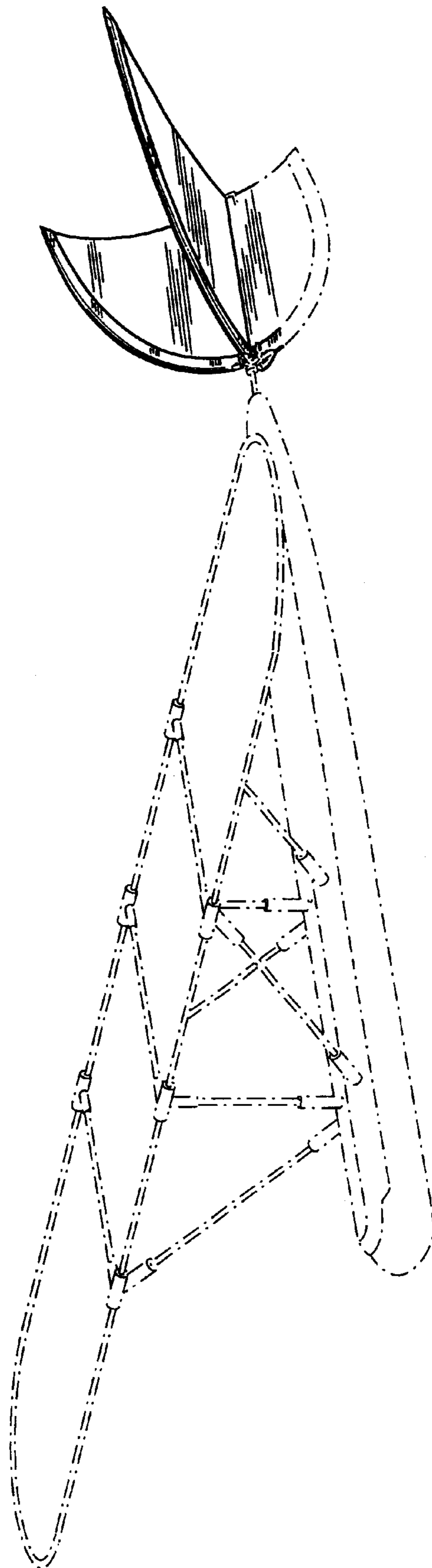


FIG. 1

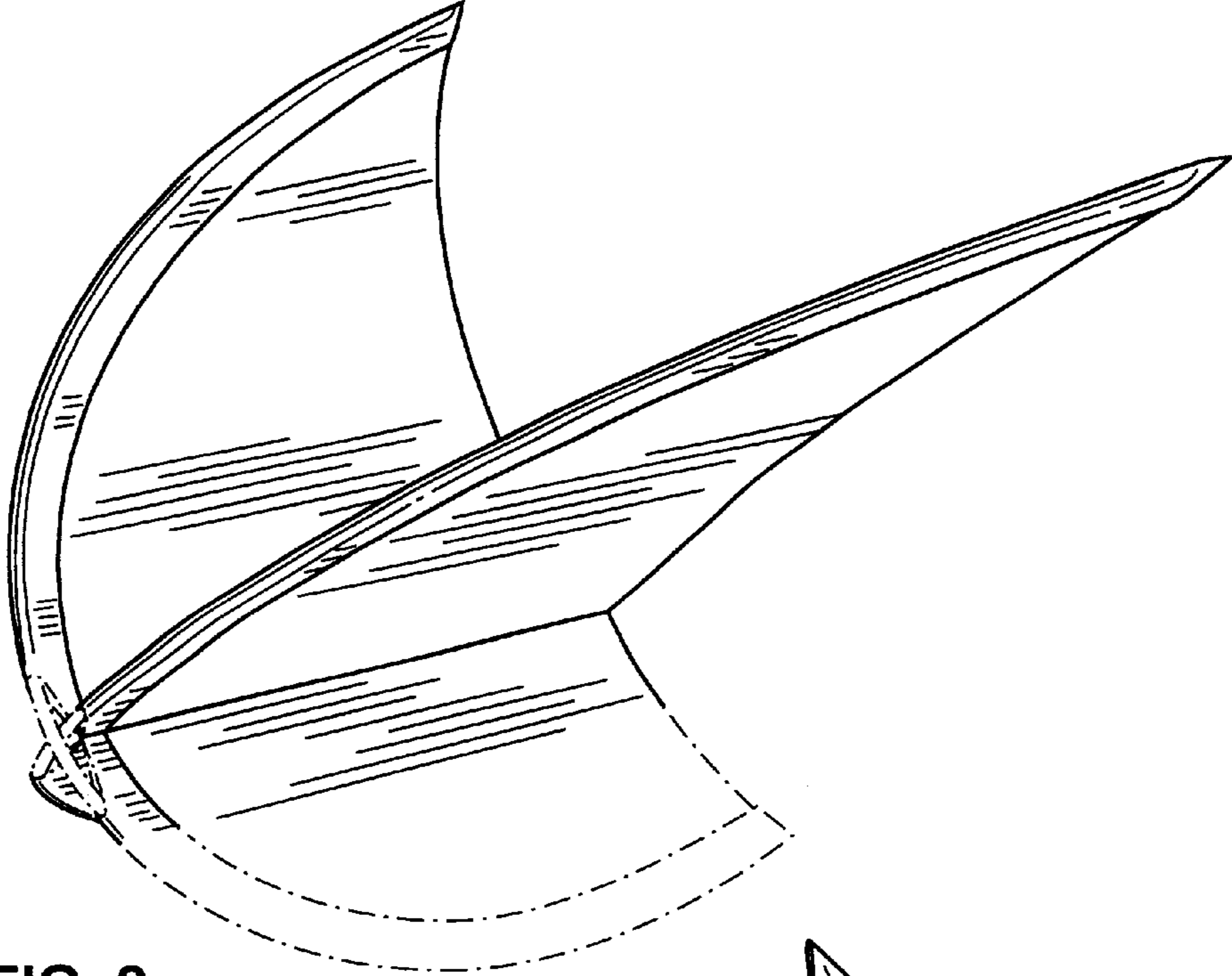


FIG. 2

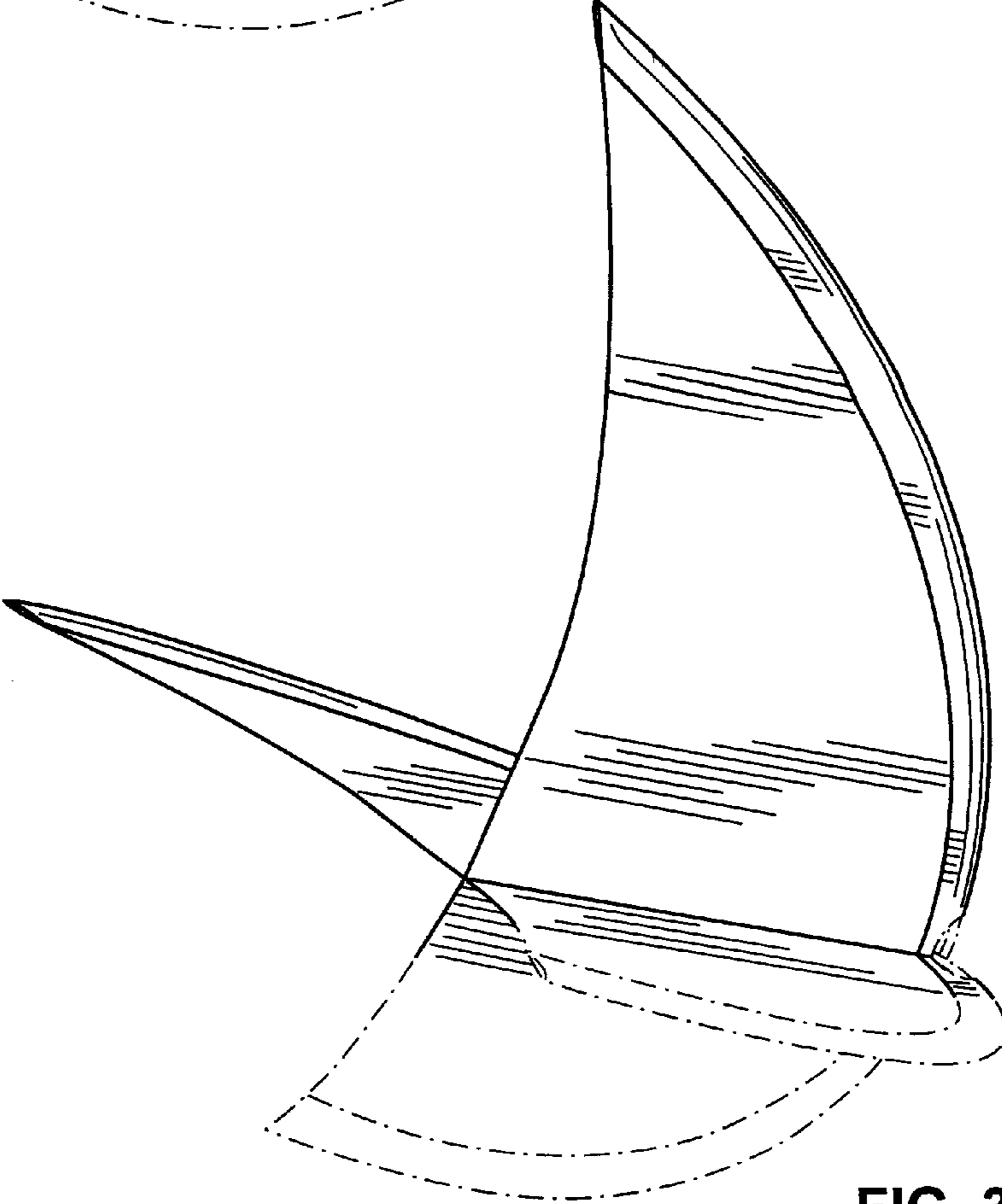


FIG. 3

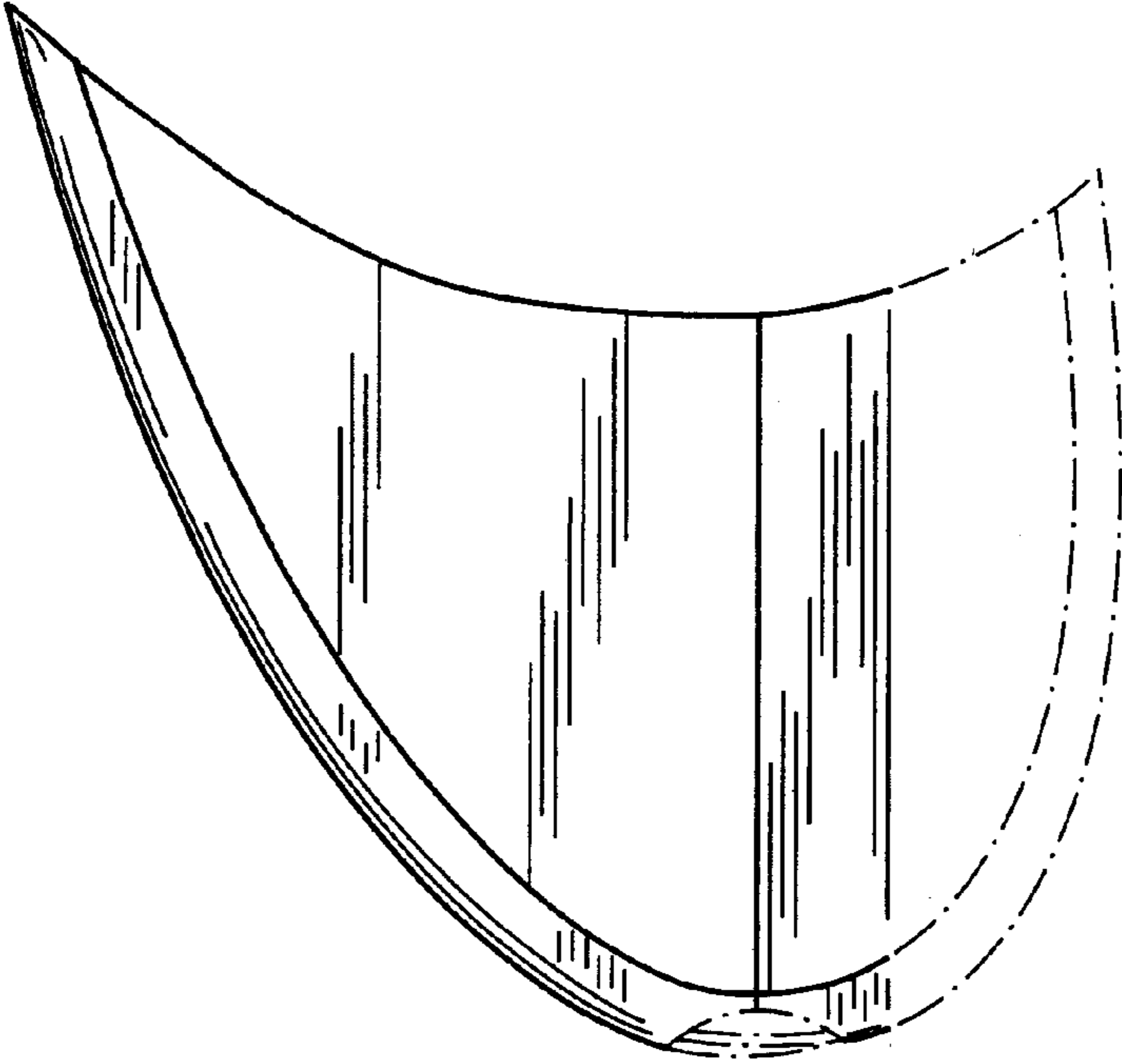


FIG. 5

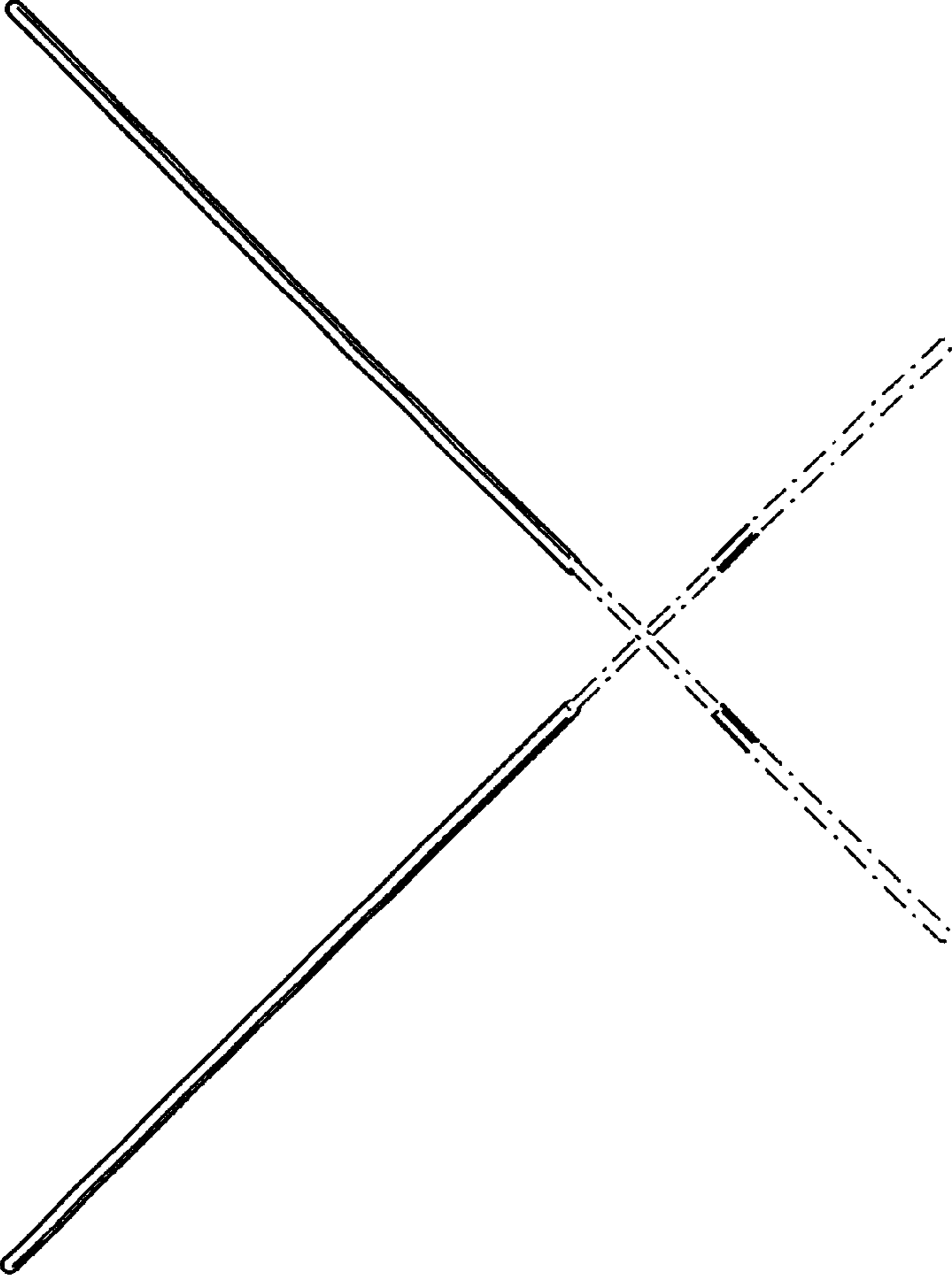


FIG. 4

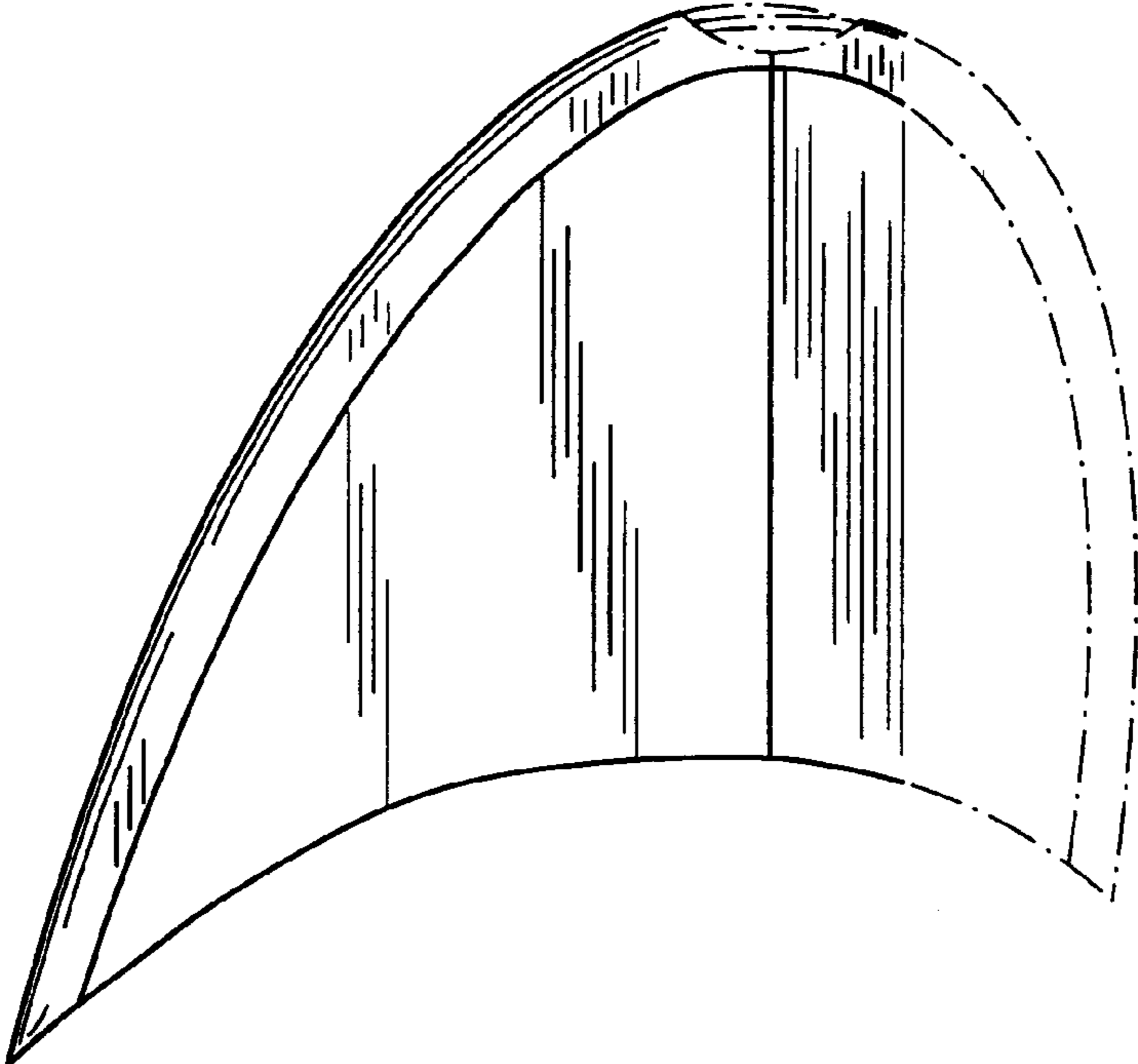


FIG. 7

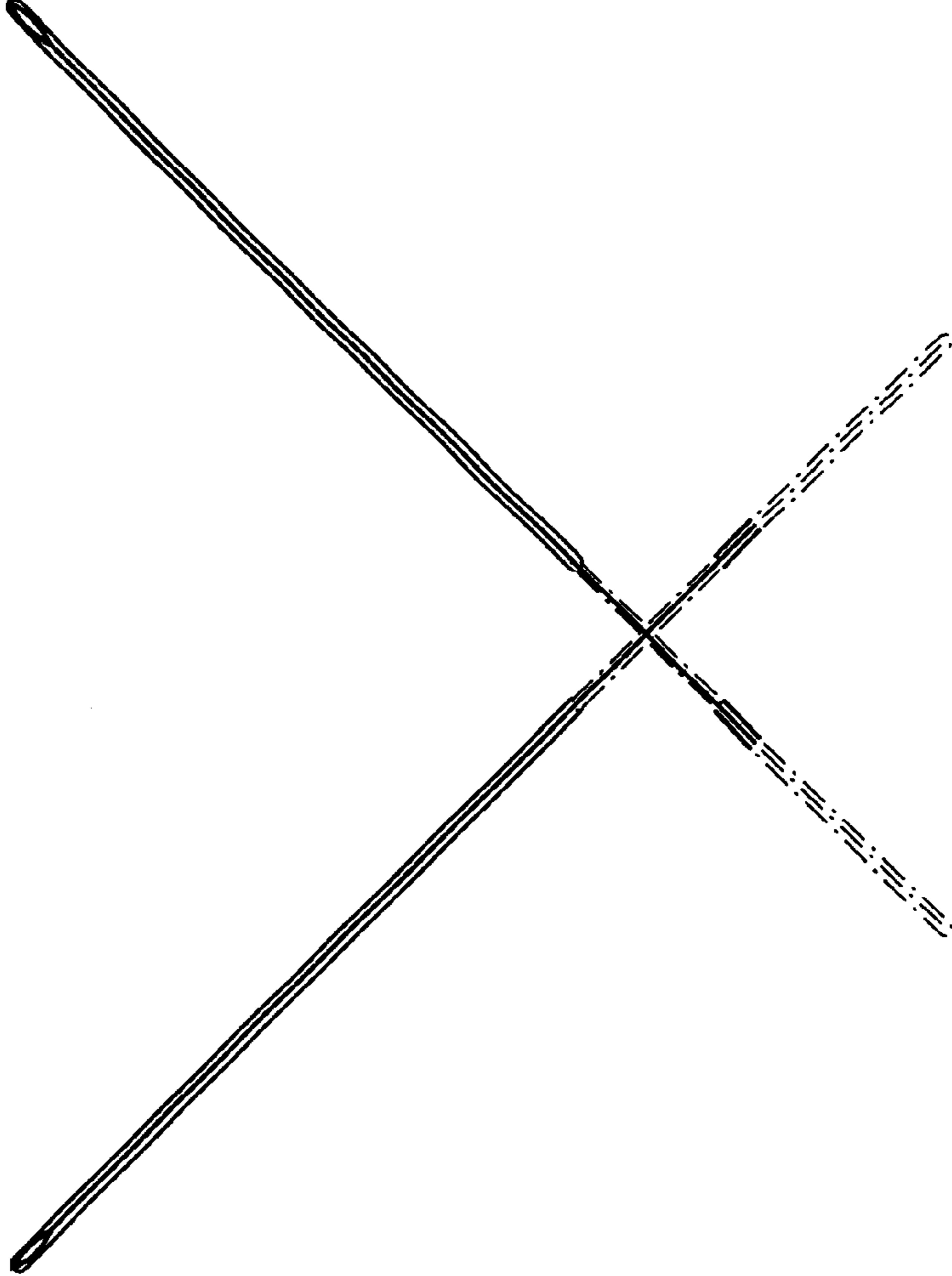


FIG. 6

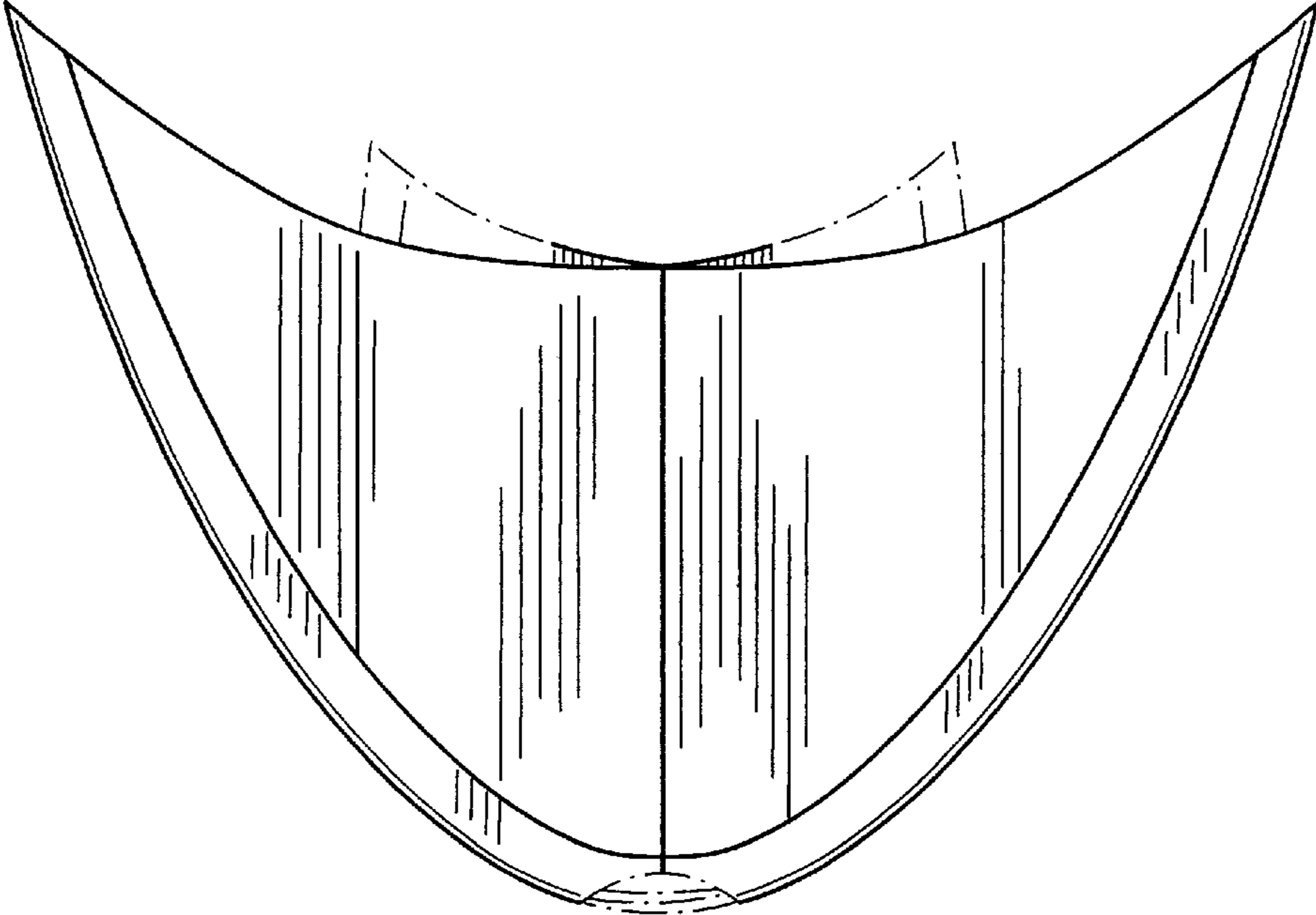


FIG. 8

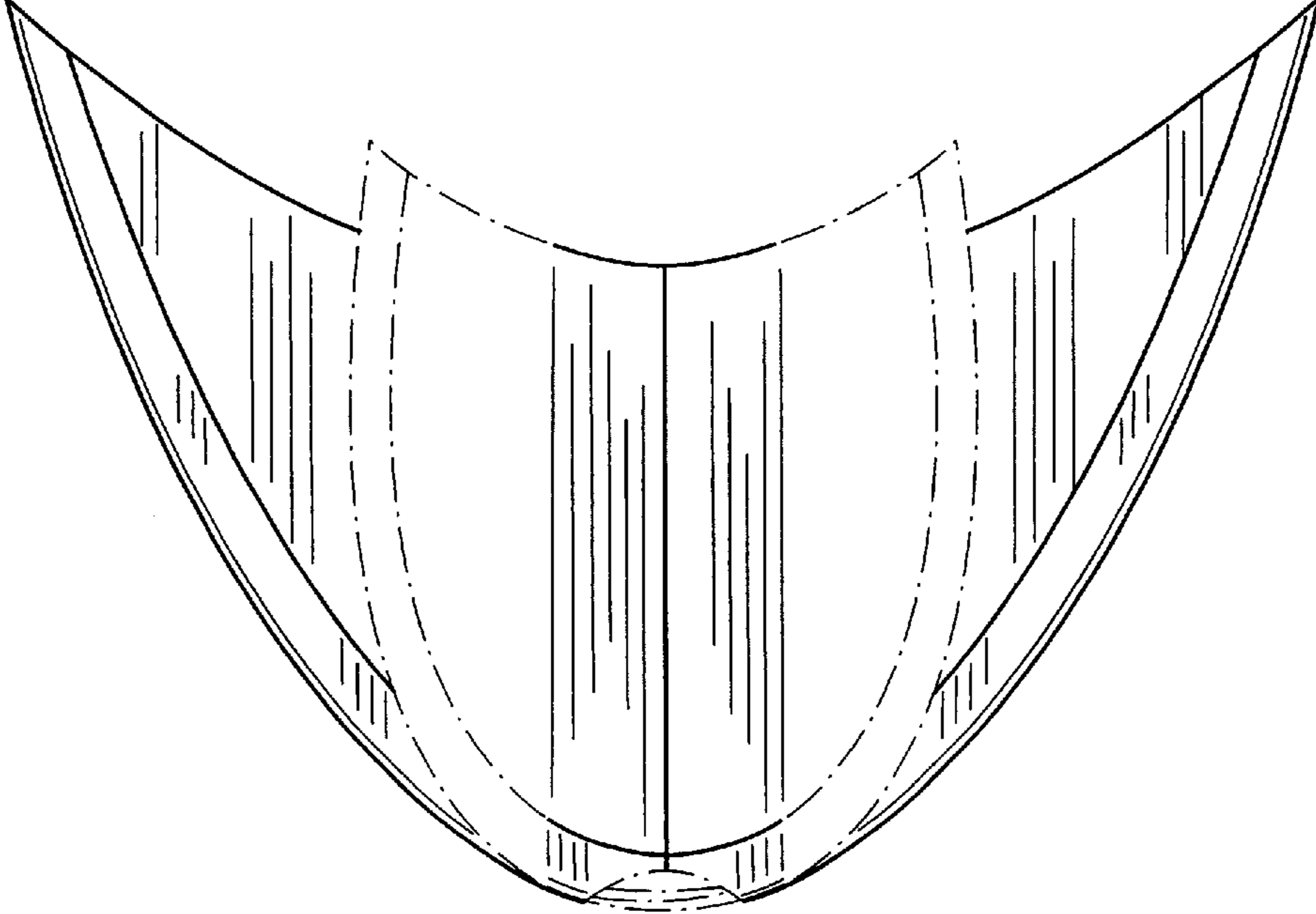


FIG. 9