



US00D503436S

(12) **United States Design Patent**
Morrison

(10) **Patent No.:** **US D503,436 S**
(45) **Date of Patent:** **** Mar. 29, 2005**

(54) **ASSEMBLY OF GAMING MACHINES**

(75) **Inventor:** **Robert S. Morrison, Hoschton, GA (US)**

(73) **Assignee:** **Vision Gaming & Technology, Inc., Norcross, VA (US)**

(**) **Term:** **14 Years**

(21) **Appl. No.:** **29/198,458**

(22) **Filed:** **Jan. 28, 2004**

Related U.S. Application Data

(62) Division of application No. 29/175,794, filed on Feb. 10, 2003, now Pat. No. Des. 492,735.

(51) **LOC (7) Cl.** **21-03**

(52) **U.S. Cl.** **D21/370**

(58) **Field of Search** D21/324-325,
D21/369-370, 385; 273/138.1; 463/17,
20, 46-47

(56) **References Cited**

U.S. PATENT DOCUMENTS

6,117,010 A * 9/2000 Canterbury et al. 463/20

D439,931 S * 4/2001 Yamaguchi D21/369
D451,150 S * 11/2001 Hedrick et al. D21/370
D451,151 S * 11/2001 Hedrick et al. D21/370
D459,402 S * 6/2002 Wurz et al. D21/325

* cited by examiner

Primary Examiner—Sandra L. Morris

(74) *Attorney, Agent, or Firm*—Sand & Sebolt

(57) **CLAIM**

The ornamental design for the assembly of gaming machines, as shown and described.

DESCRIPTION

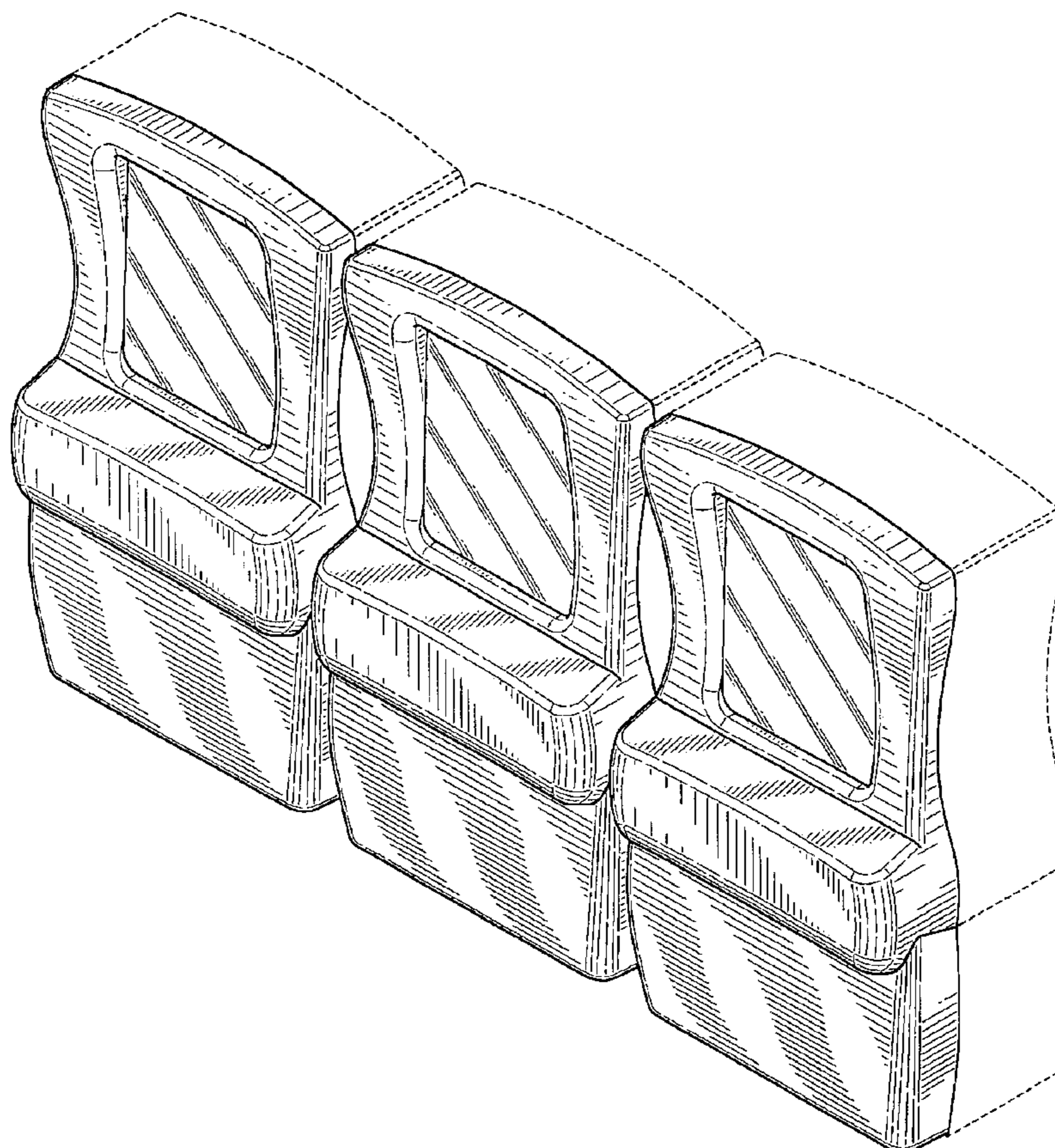
FIG. 1 is a perspective view of an assembly of gaming machines, the broken line showing is for illustrative purposes only, and forms no part of the claimed design.

FIG. 2 is a front elevational view of the assembly of the present invention;

FIG. 3 is a right side elevational view of the assembly of the present invention; and,

FIG. 4 is a left elevational view of the assembly of the present invention.

1 Claim, 3 Drawing Sheets



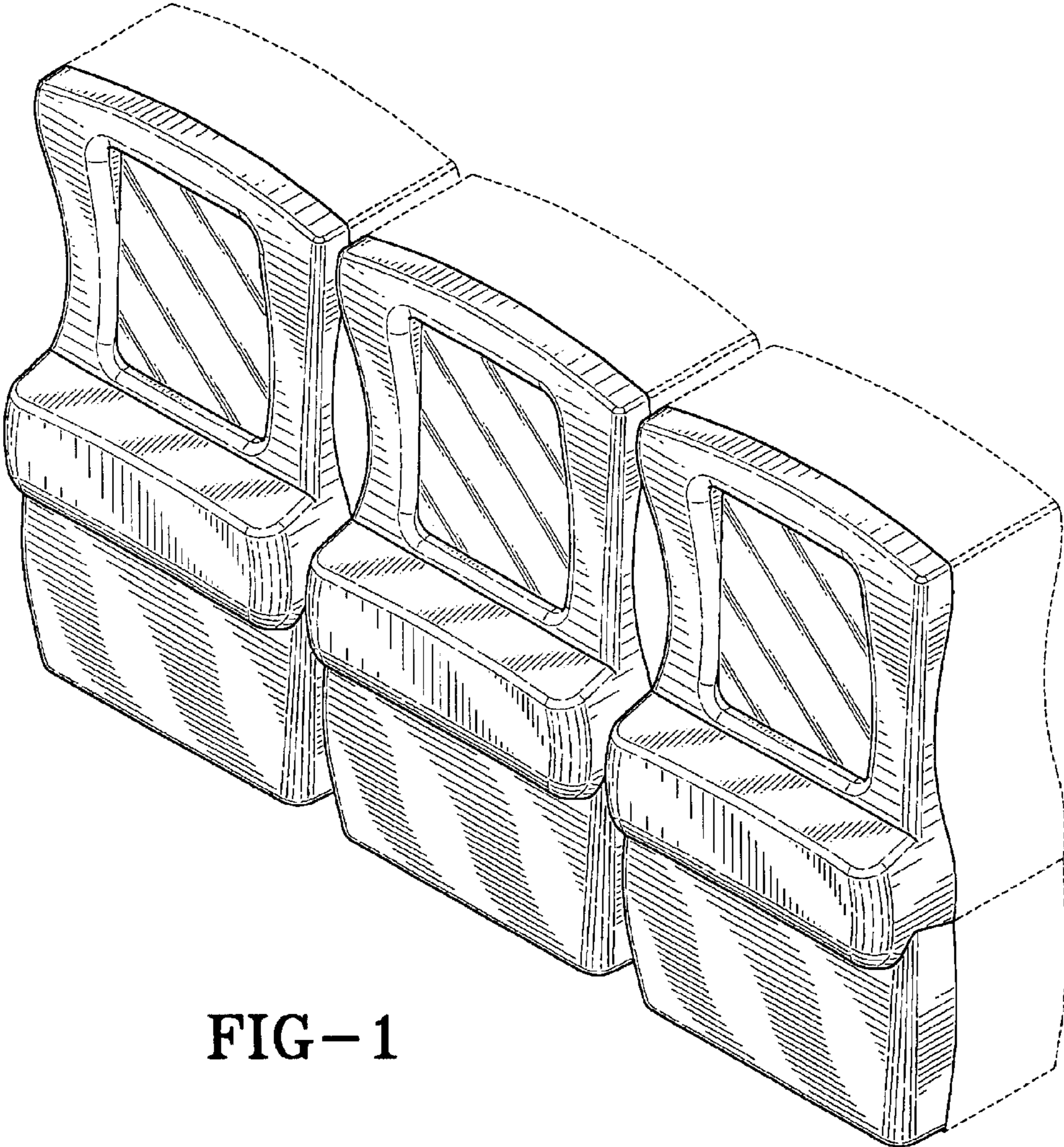


FIG-1

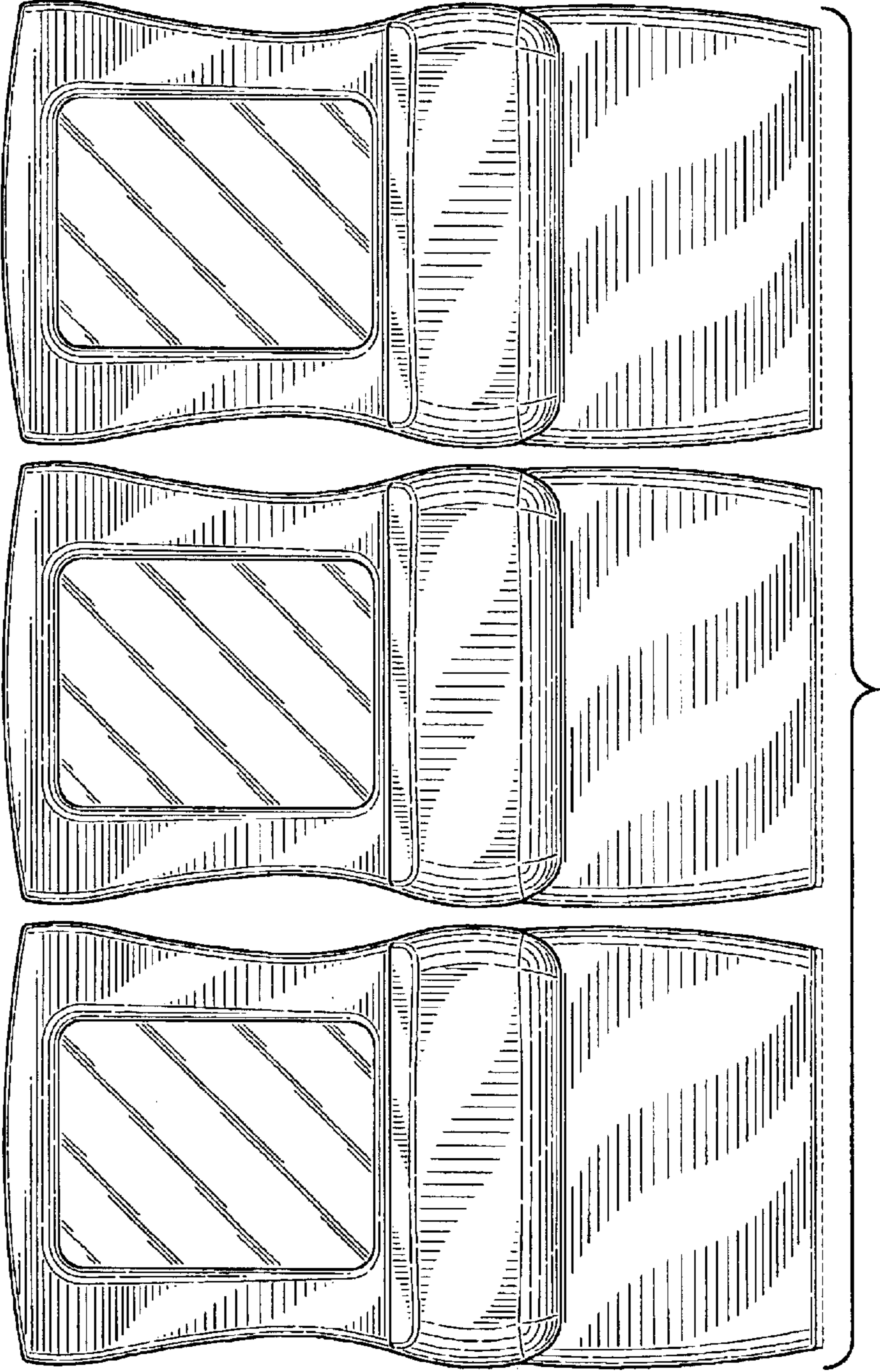


FIG-2

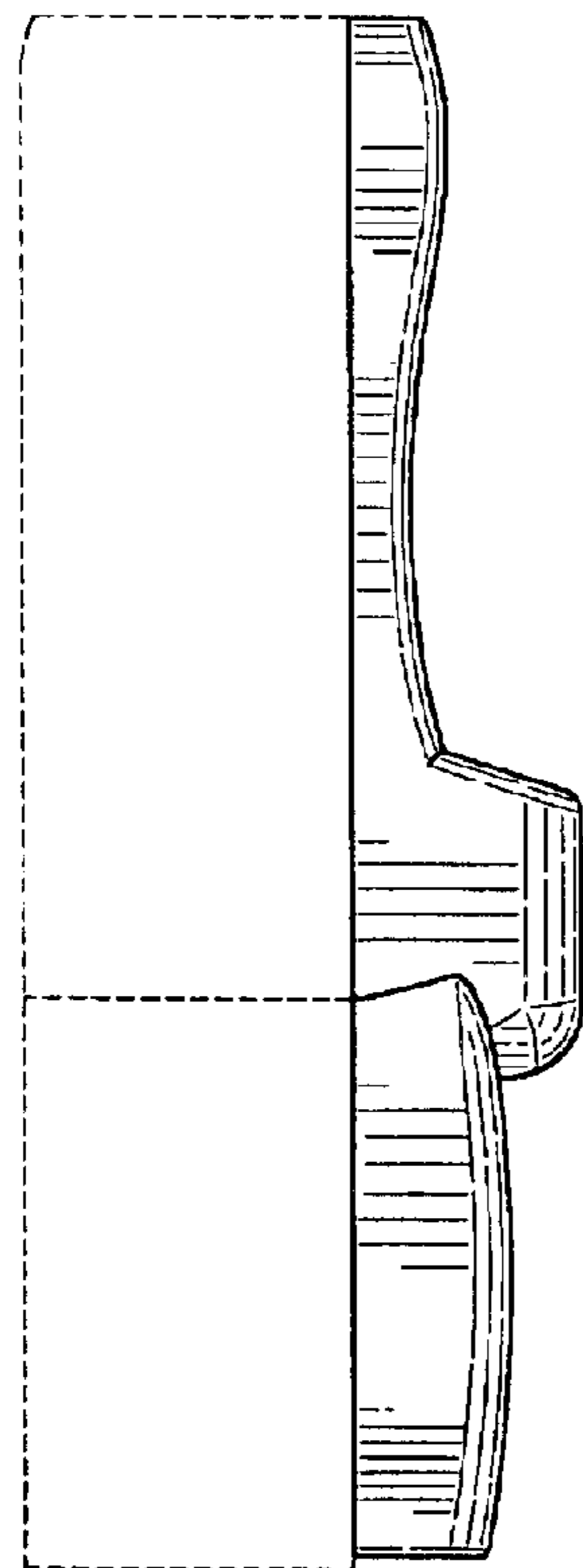


FIG-3

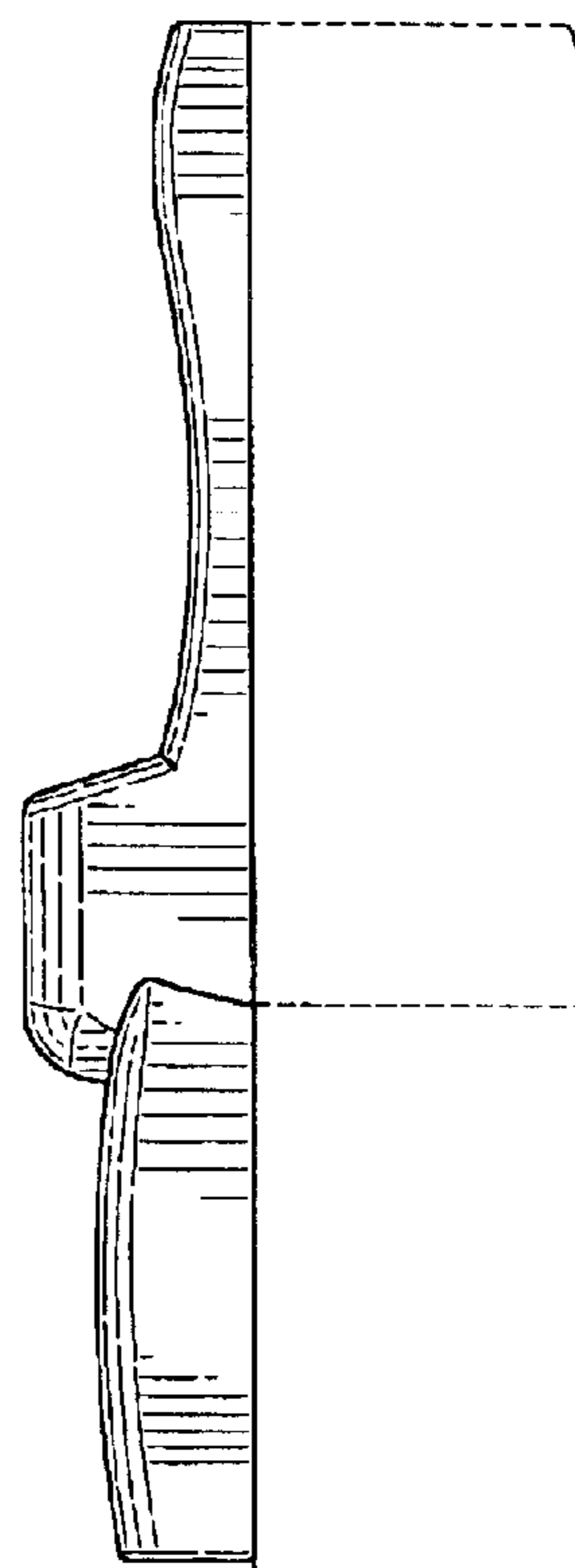


FIG-4