

US00D503433S

(12) **United States Design Patent**
Tsujino et al.

(10) **Patent No.:** **US D503,433 S**
(45) **Date of Patent:** **** Mar. 29, 2005**

(54) **ARCADE GAME MACHINE**

(75) Inventors: **Hiroshi Tsujino**, Tokyo (JP); **Takahide Sato**, Tokyo (JP)

(73) Assignee: **Sammy Corporation**, Tokyo (JP)

(**) Term: **14 Years**

(21) Appl. No.: **29/177,951**

(22) Filed: **Mar. 18, 2003**

(30) **Foreign Application Priority Data**

- Sep. 18, 2002 (JP) 2002-025428
- Sep. 18, 2002 (JP) 2002-025429
- Sep. 18, 2002 (JP) 2002-025430
- Sep. 18, 2002 (JP) 2002-025431
- Sep. 18, 2002 (JP) 2002-025432

(51) **LOC (7) Cl.** **21-01**

(52) **U.S. Cl.** **D21/325; D21/369**

(58) **Field of Search** D21/324–327,
D21/333, 369–375; 273/148 B, 138.1, 138.2,
139, 148 R; 463/1, 16–22, 29, 30, 36, 46,
47

(56) **References Cited**

U.S. PATENT DOCUMENTS

- D187,283 S * 2/1960 Hullman D21/325
- 4,643,421 A * 2/1987 Meyer et al. 463/1
- 4,850,591 A * 7/1989 Takezawa et al. 463/37
- 5,584,763 A * 12/1996 Kelly et al. 463/16
- 5,951,397 A * 9/1999 Dickinson 463/36
- D435,068 S * 12/2000 Muraki et al. D21/325

- D463,502 S * 9/2002 Ishii et al. D21/325
- D465,243 S * 11/2002 Isetani et al. D21/325
- D468,363 S * 1/2003 Nojo D21/325
- D472,936 S * 4/2003 Ohtomi et al. D21/325

* cited by examiner

Primary Examiner—Prabhakar Deshmukh

(74) *Attorney, Agent, or Firm*—McCormick, Paulding & Huber LLP

(57) **CLAIM**

The ornamental design for arcade game machine, as shown and described.

DESCRIPTION

FIG. 1 is front perspective view of an arcade game machine showing our new design with a ball type control panel; FIG. 2 is a rear perspective view thereof; FIG. 3 is a front elevational view thereof; FIG. 4 is a rear elevational view thereof; FIG. 5 is a top plan view thereof; FIG. 6 is a right side elevational view thereof; the left side elevational view being a mirror image thereof; FIG. 7 is a front perspective view of a second embodiment of an arcade game machine with a joystick type control panel; FIG. 8 is a rear perspective view of FIG. 7; FIG. 9 is a front elevational view of FIG. 7; FIG. 10 is a rear elevational view of FIG. 7; FIG. 11 is a top plan view of FIG. 7; FIG. 12 is a right side elevational view of FIG. 7; and, FIG. 13 is a left side elevational view of FIG. 7.

1 Claim, 6 Drawing Sheets

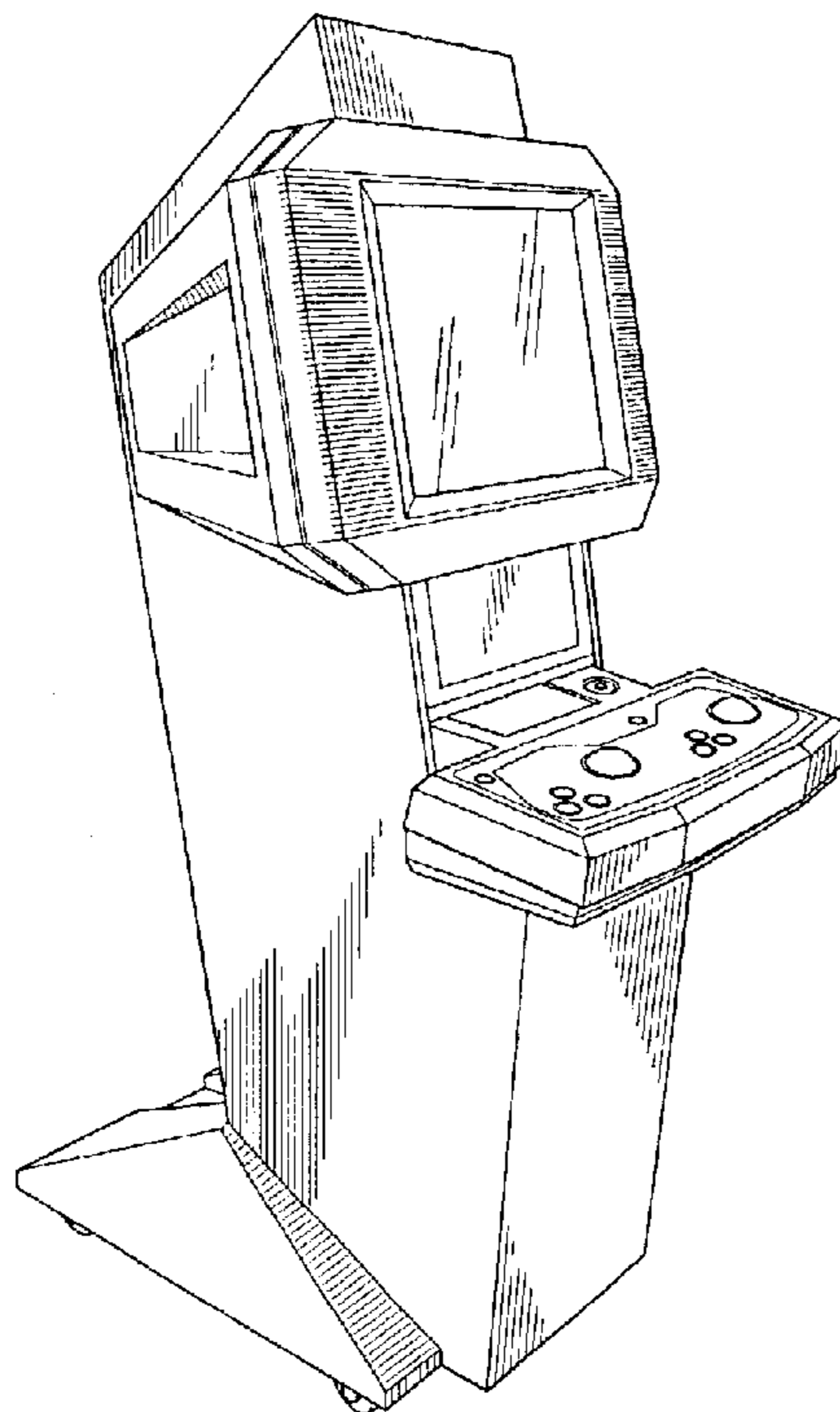


FIG. 1

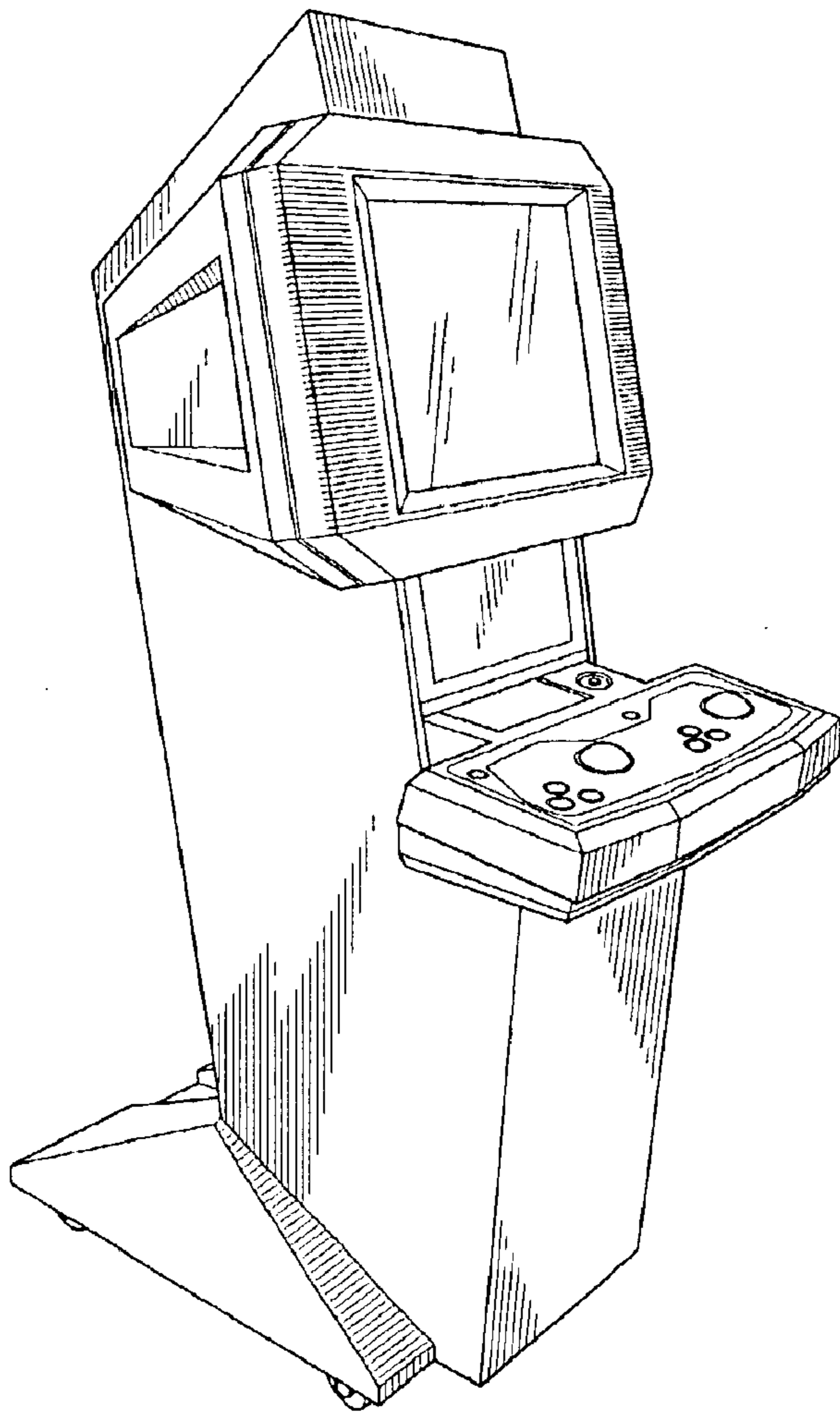


FIG. 2

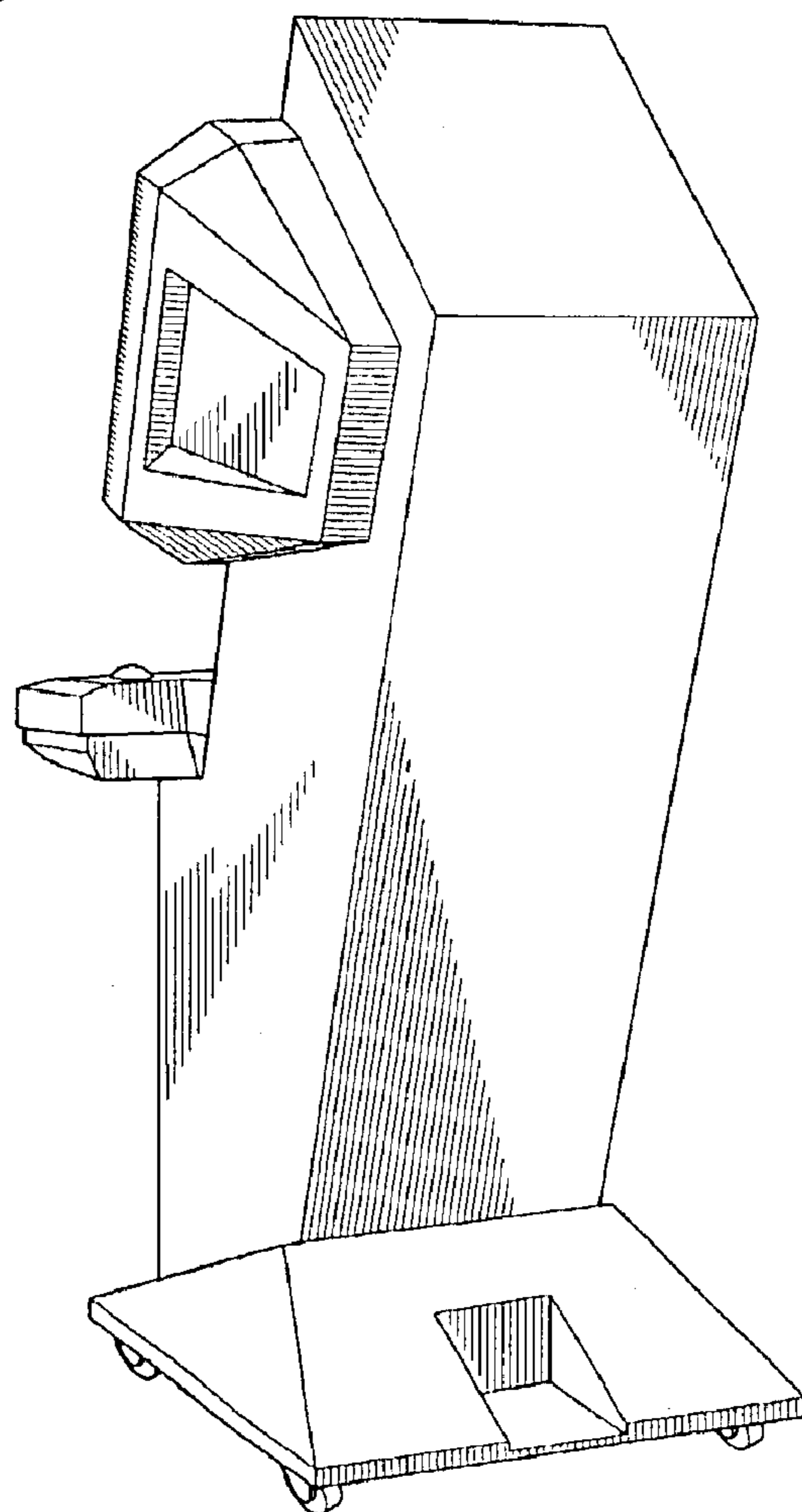


FIG. 3

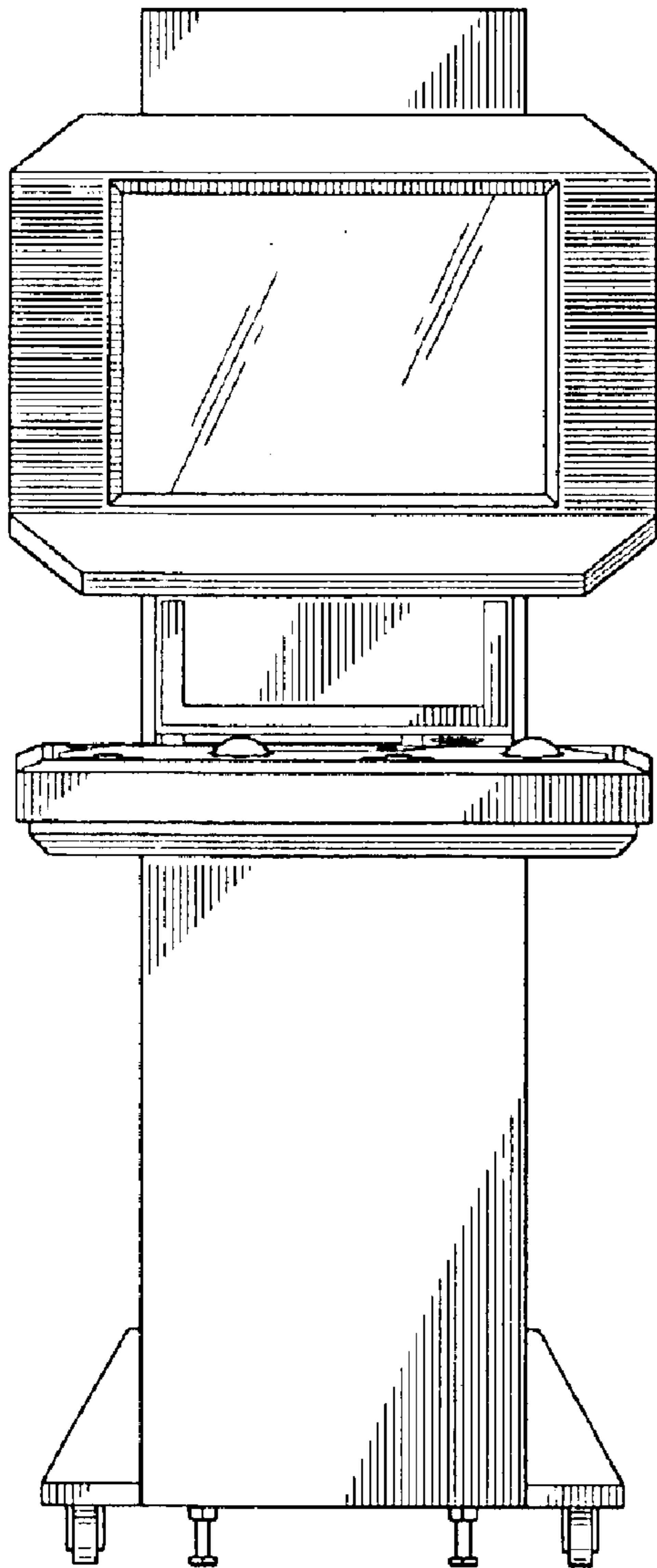


FIG. 4

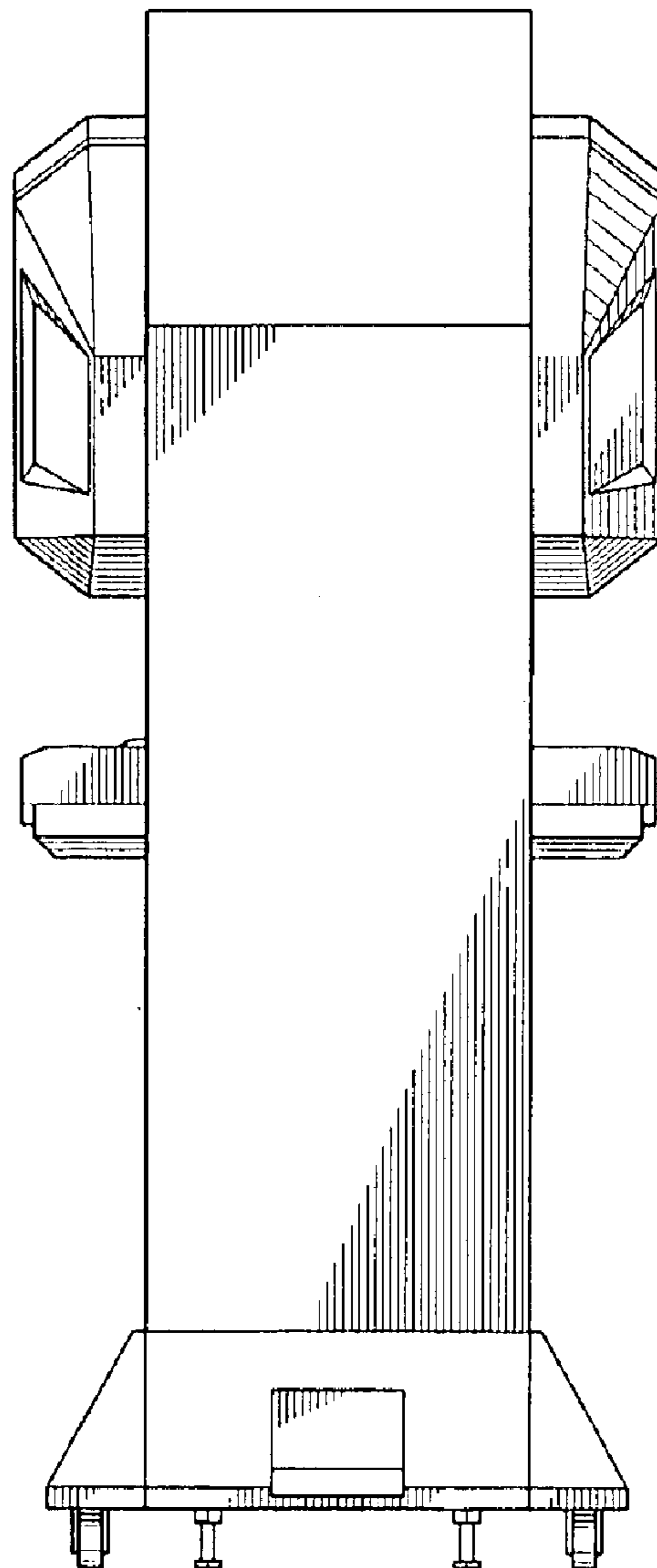


FIG. 5

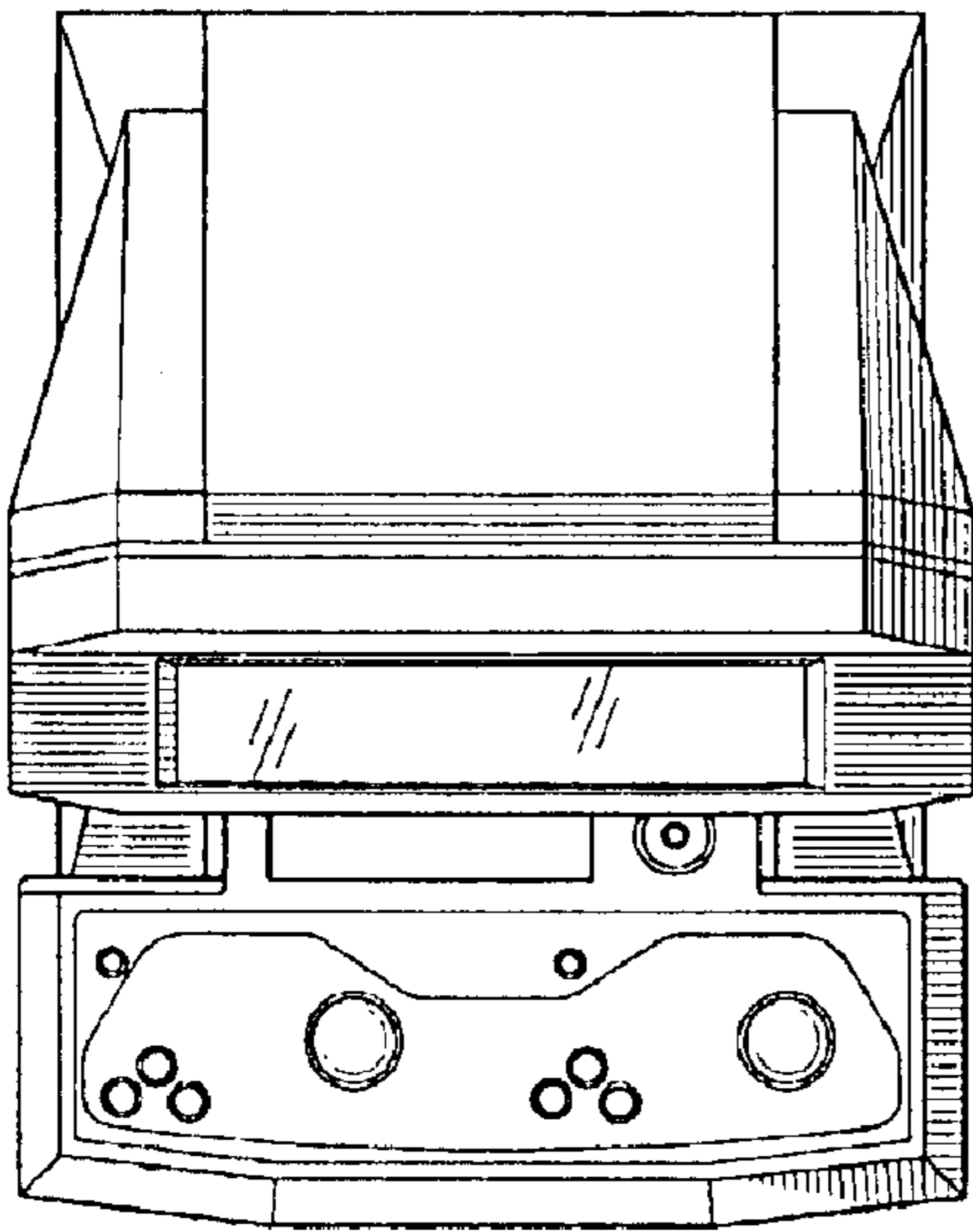


FIG. 6

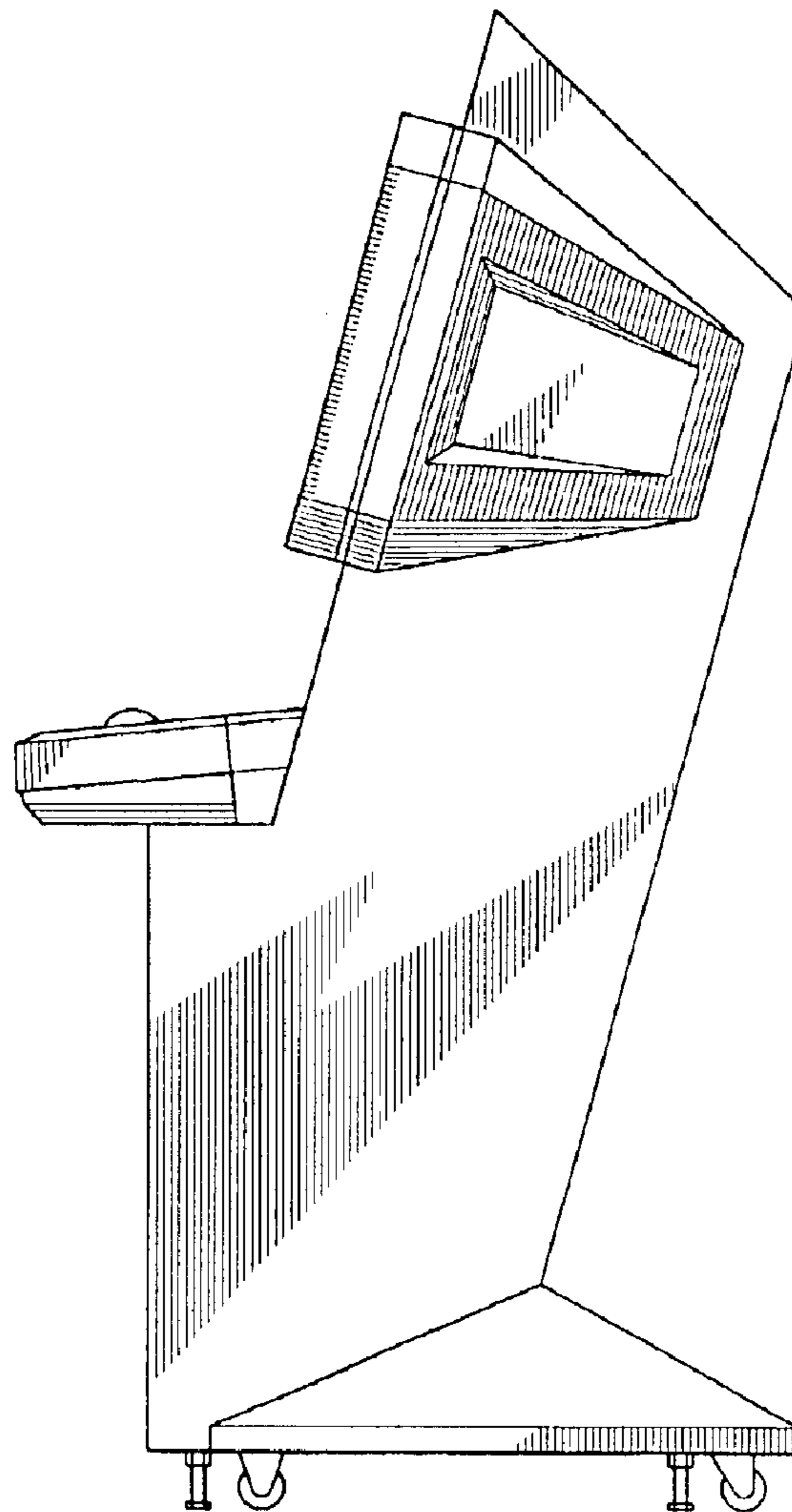


FIG. 7

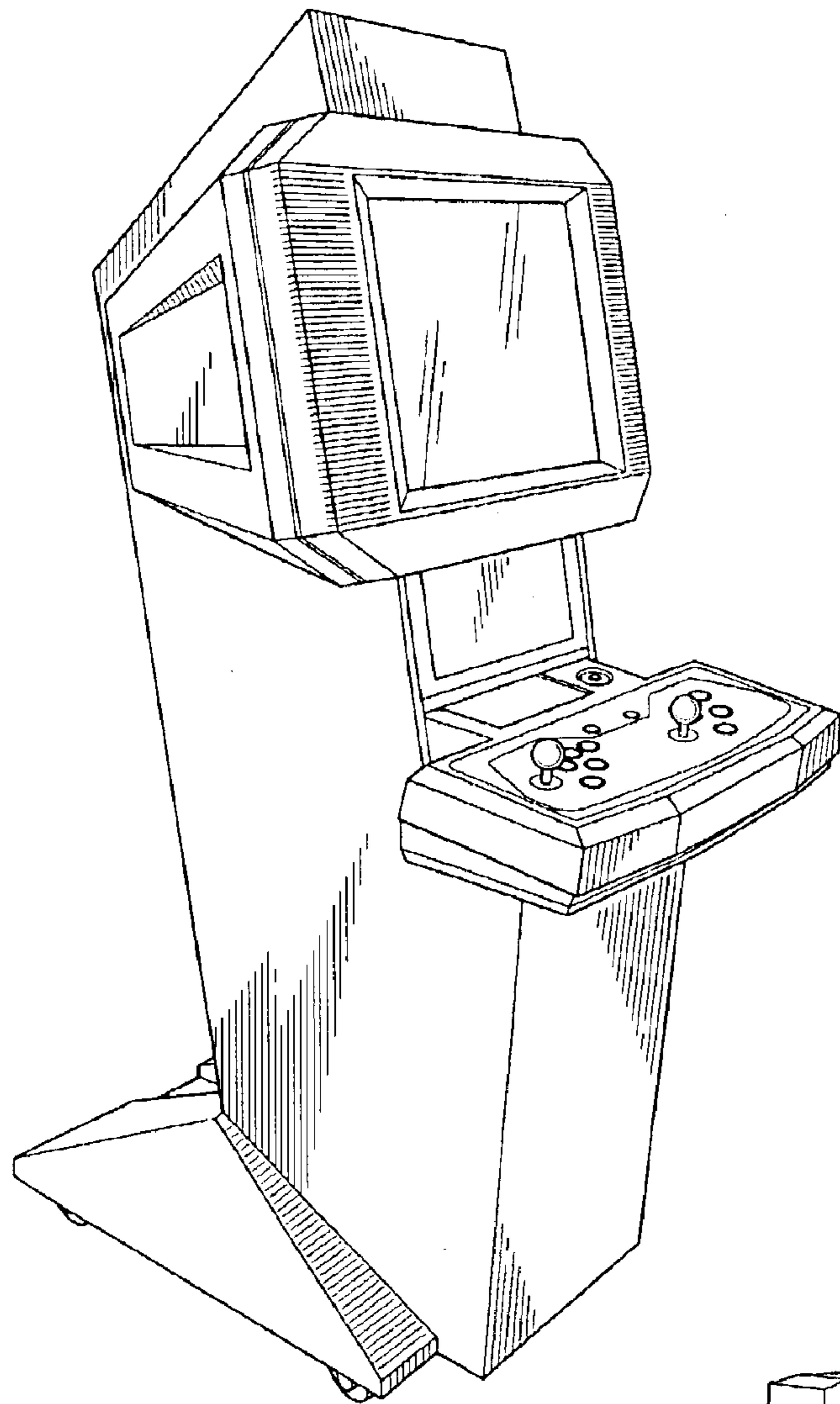


FIG. 8

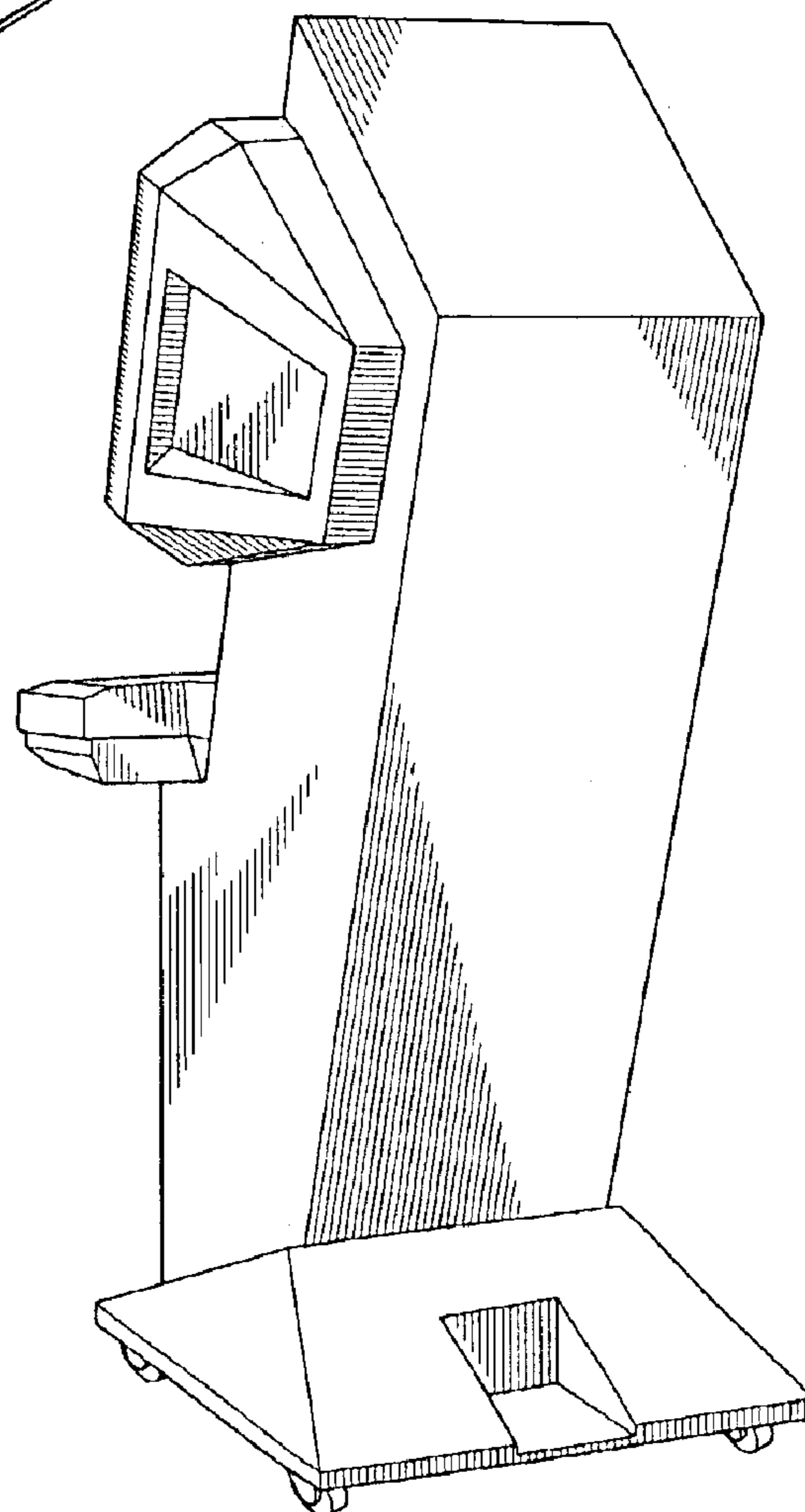


FIG. 9

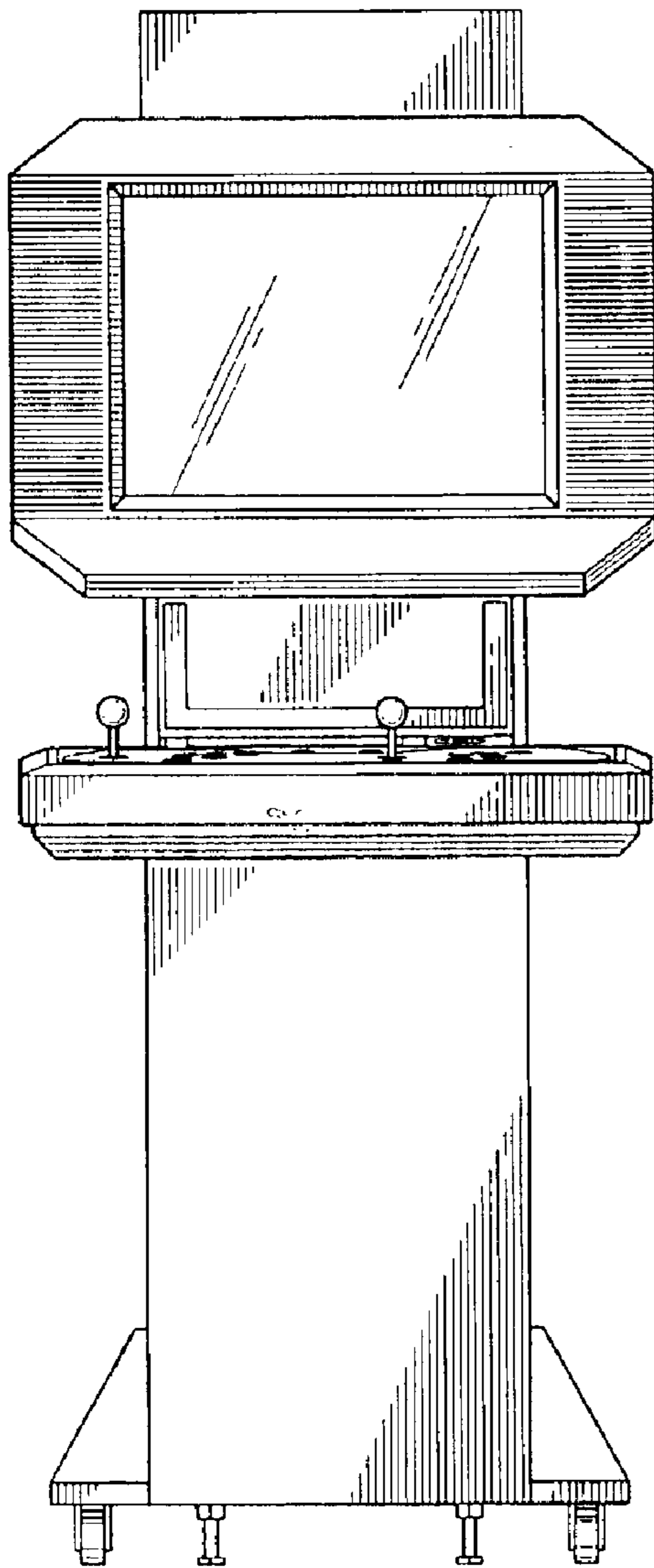


FIG. 10

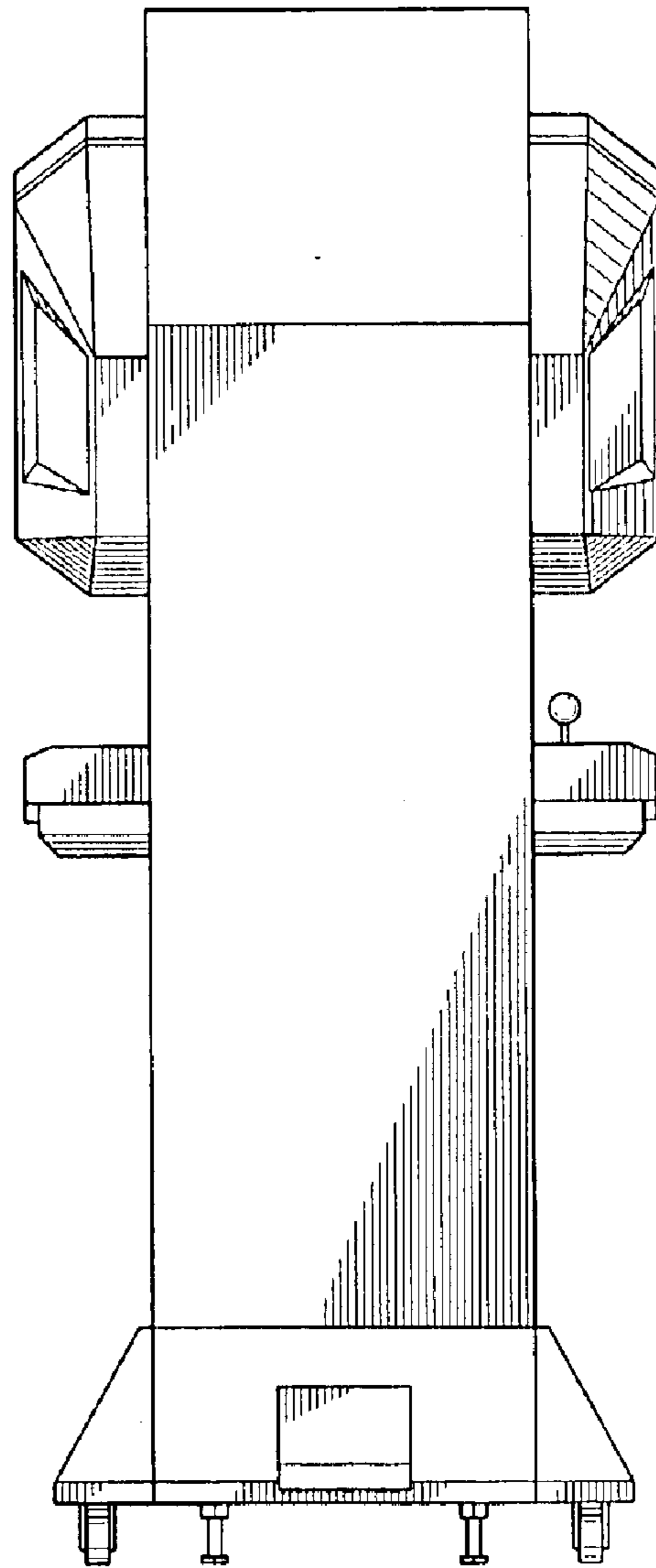


FIG. 11

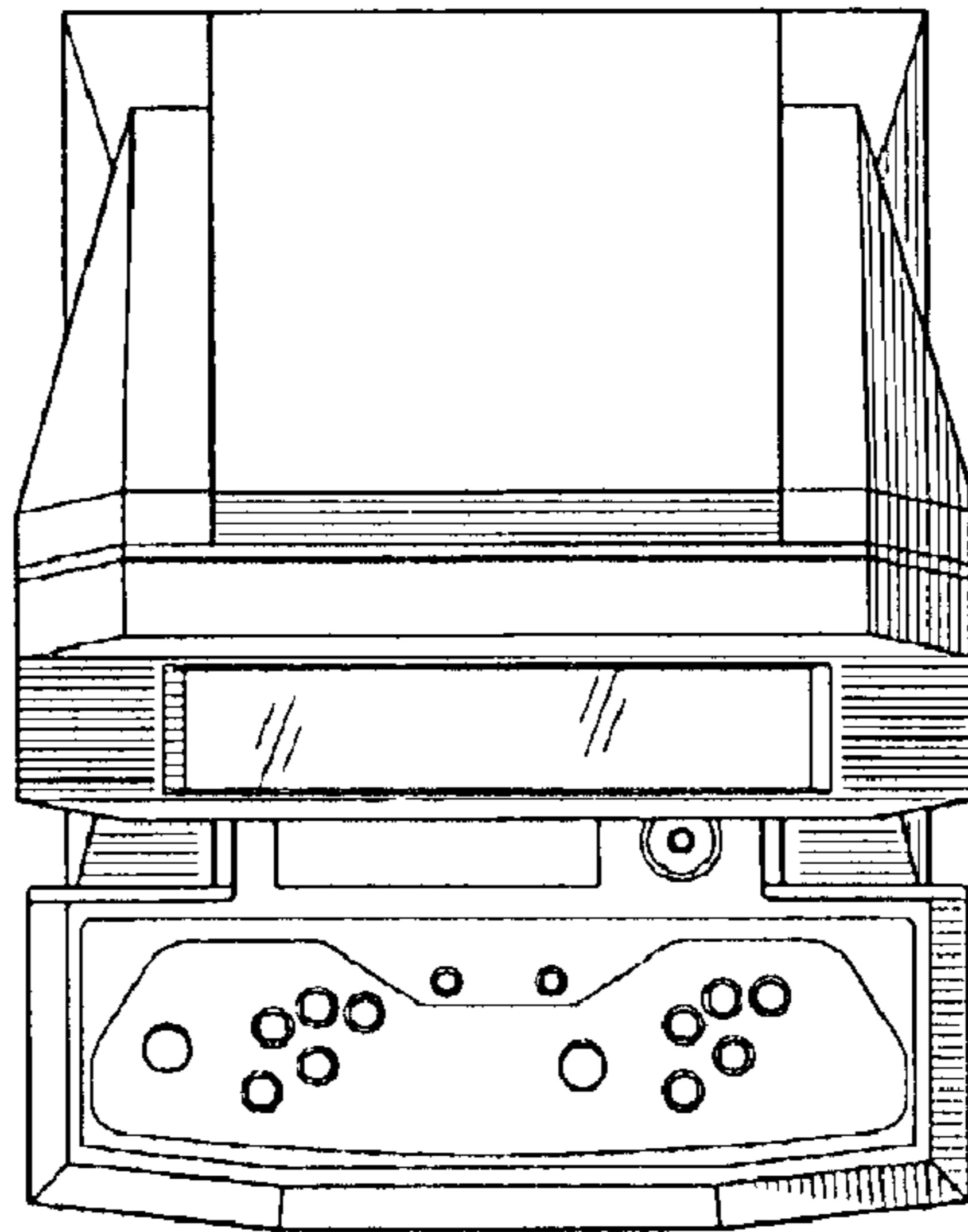


FIG. 12

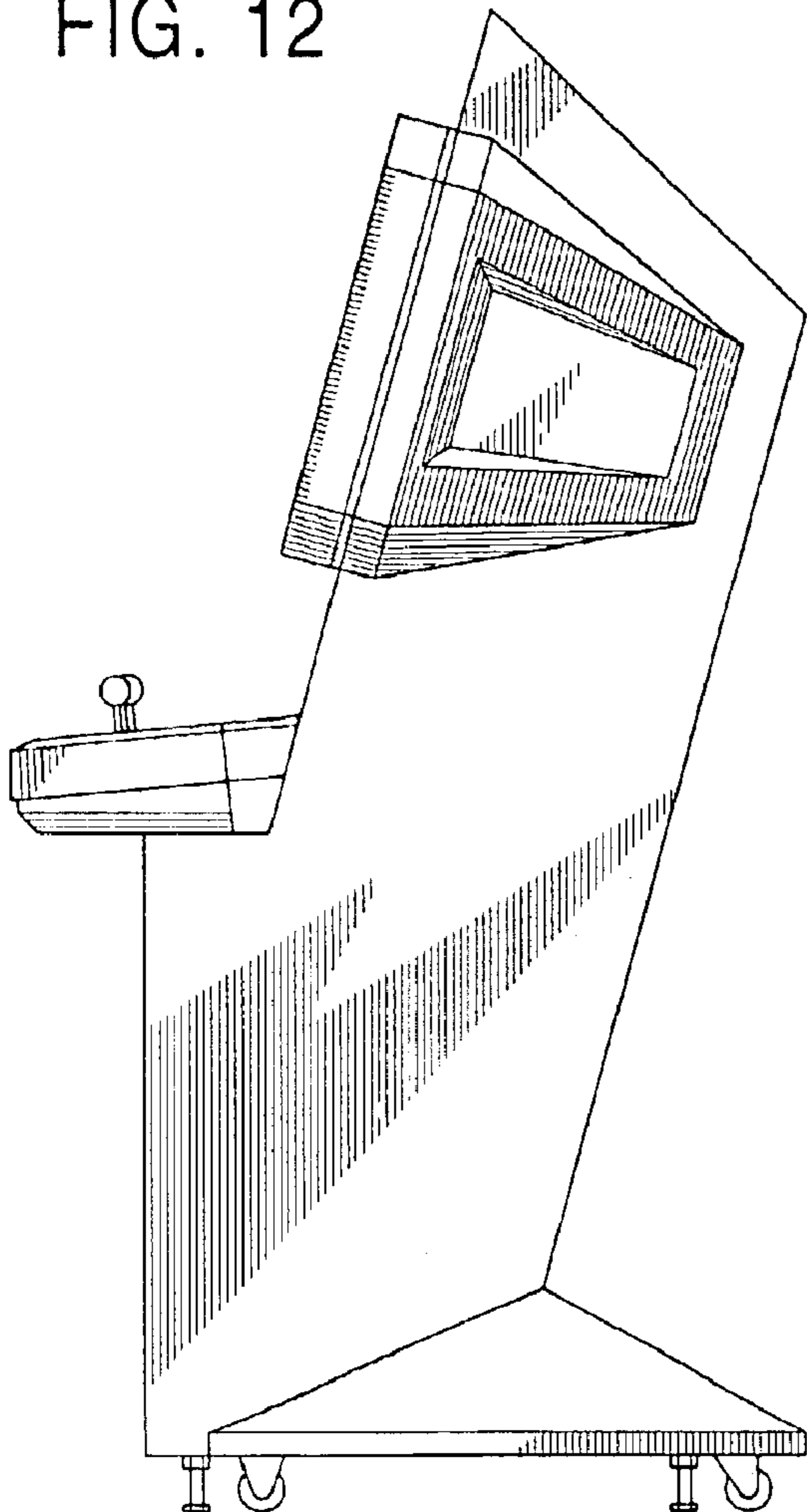


FIG. 13

