

US00D503431S

(12) **United States Design Patent**  
**Metcalf et al.**

(10) **Patent No.:** **US D503,431 S**  
(45) **Date of Patent:** **\*\* Mar. 29, 2005**

(54) **FILE POCKET**

(75) Inventors: **Keith E. Metcalf**, Huntingburg, IN  
(US); **J. Douglas Mitchell**, Newburgh,  
IN (US)

(73) Assignee: **Kimball International, Inc.**, Jasper, IN  
(US)

(\*\*) Term: **14 Years**

(21) Appl. No.: **29/183,102**

(22) Filed: **Jun. 5, 2003**

(51) **LOC (7) Cl.** ..... **19-02**

(52) **U.S. Cl.** ..... **D19/90; D19/86; D19/91;**  
**D3/303**

(58) **Field of Search** ..... **D19/65, 75, 78,**  
**D19/86, 90, 91, 99, 100; 150/113; 312/183,**  
**184, 314; 211/10, 11, 42, 45, 46; 229/67.1-67.4,**  
**928; 206/425, 449, 45.24; 40/359, 360;**  
**D3/303**

(56) **References Cited**

**U.S. PATENT DOCUMENTS**

4,008,872 A	2/1977	Thompson	.....	248/224.2
4,400,107 A *	8/1983	Pitts	.....	402/4
4,573,513 A	3/1986	Small et al.	.....	160/135
4,759,639 A *	7/1988	DeMatteis	.....	383/7
4,811,769 A *	3/1989	Phares	.....	150/113
D317,018 S *	5/1991	Tarlow et al.	.....	D19/90
5,088,801 A *	2/1992	Rorke et al.	.....	312/184
D328,101 S *	7/1992	Rorke	.....	D19/90
D333,910 S *	3/1993	Rorke	.....	D6/630

5,219,216 A *	6/1993	Hassel et al.	.....	312/9.54
D337,653 S *	7/1993	Hassel et al.	.....	D6/634
D370,029 S *	5/1996	Green et al.	.....	D19/90
D407,441 S *	3/1999	Greenberg et al.	.....	D19/90
5,971,166 A *	10/1999	Ong	.....	211/46
5,993,099 A *	11/1999	Greenberg et al.	.....	402/4
6,073,399 A	6/2000	Shipman et al.	.....	52/36.1
6,422,797 B2 *	7/2002	Pas	.....	24/67 R
D470,185 S *	2/2003	Hassett	.....	D19/90

\* cited by examiner

*Primary Examiner*—Martie K. Holtje

(74) *Attorney, Agent, or Firm*—Baker & Daniels

(57) **CLAIM**

The ornamental design of a file pocket, as shown and described.

**DESCRIPTION**

FIG. 1 is a perspective view of a file pocket according to a first embodiment of our design;

FIG. 2 is a front view of the file pocket of FIG. 1;

FIG. 3 is an end view of the file pocket of FIG. 1;

FIG. 4 is a perspective view of the file pocket of FIGS. 1-3, the file pocket shown mounted to a track member of an office partition system;

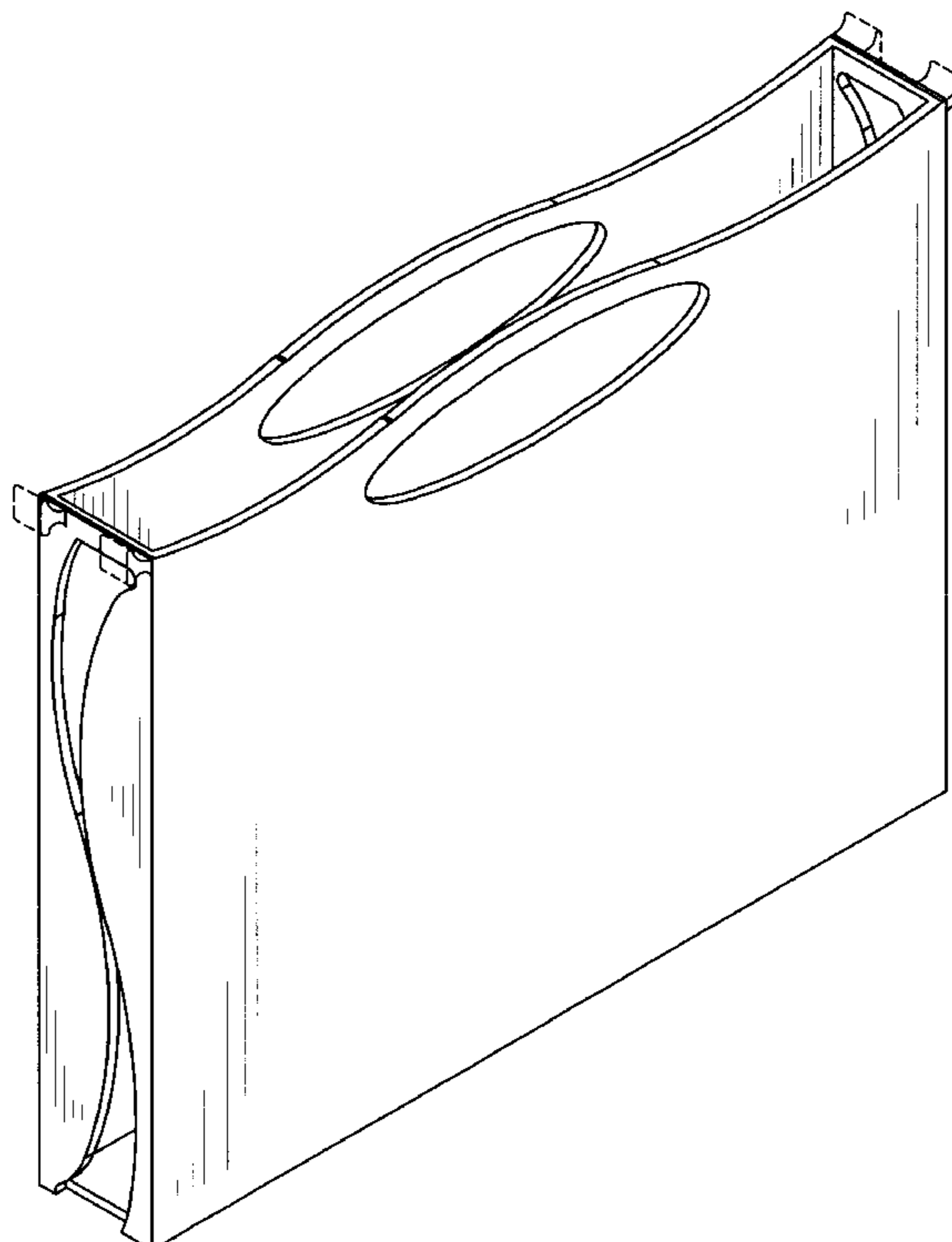
FIG. 5 is a perspective view of a file pocket according to a second embodiment of our design;

FIG. 6 is a front view of the file pocket of FIG. 5; and,

FIG. 7 is an end view of the file pocket of FIG. 5.

The features which are shown in dashed lines form no part of the claimed designs.

**1 Claim, 7 Drawing Sheets**



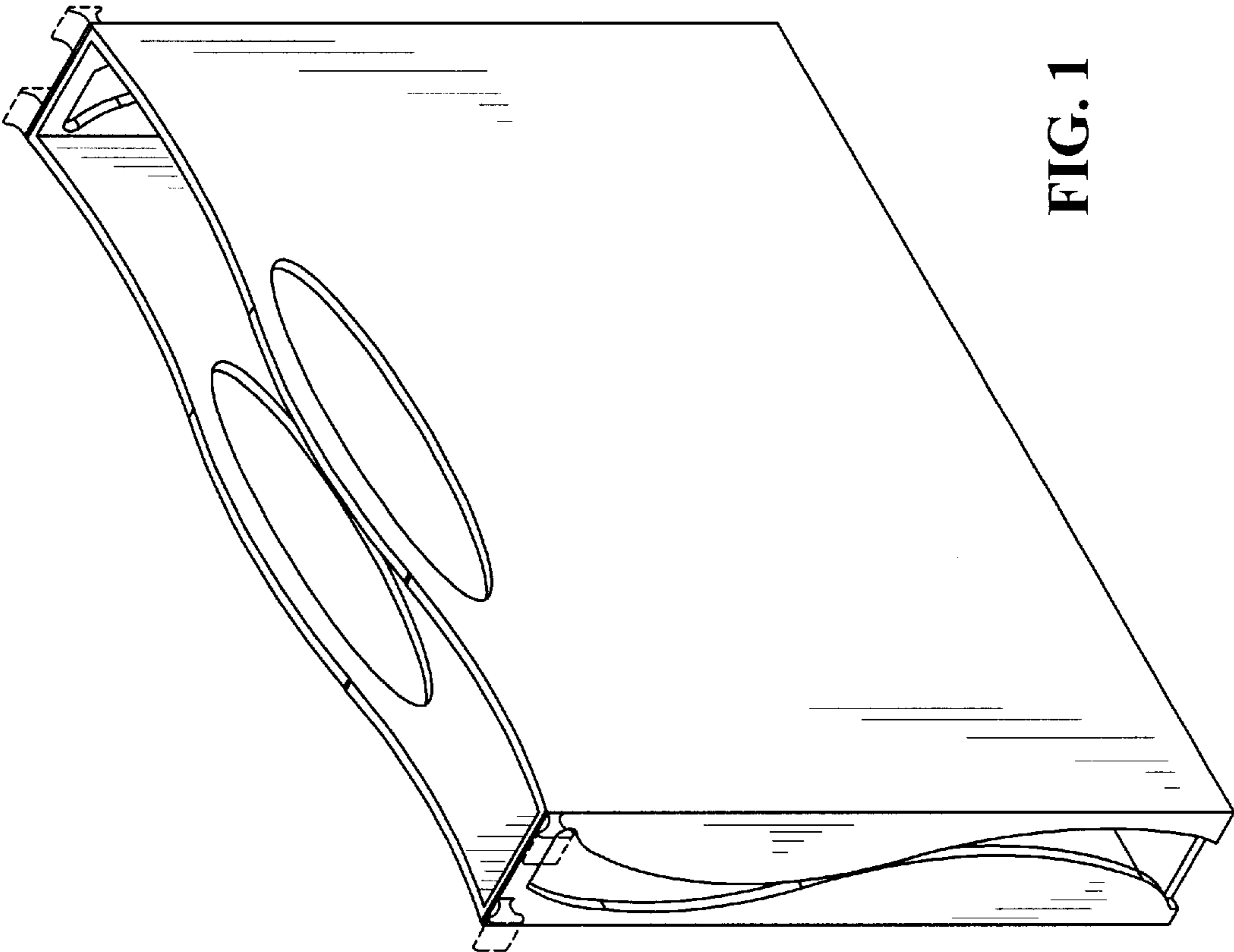


FIG. 1

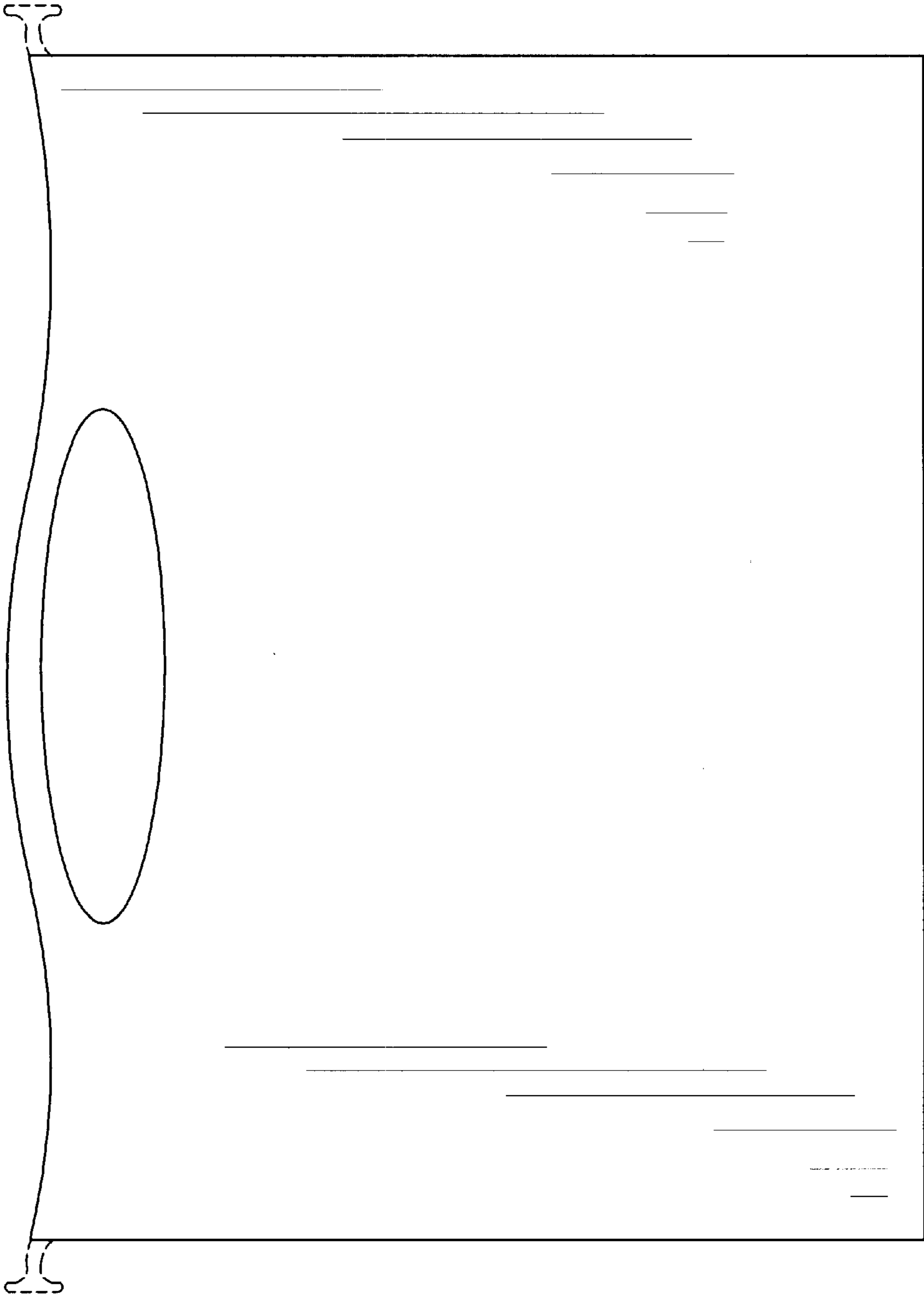
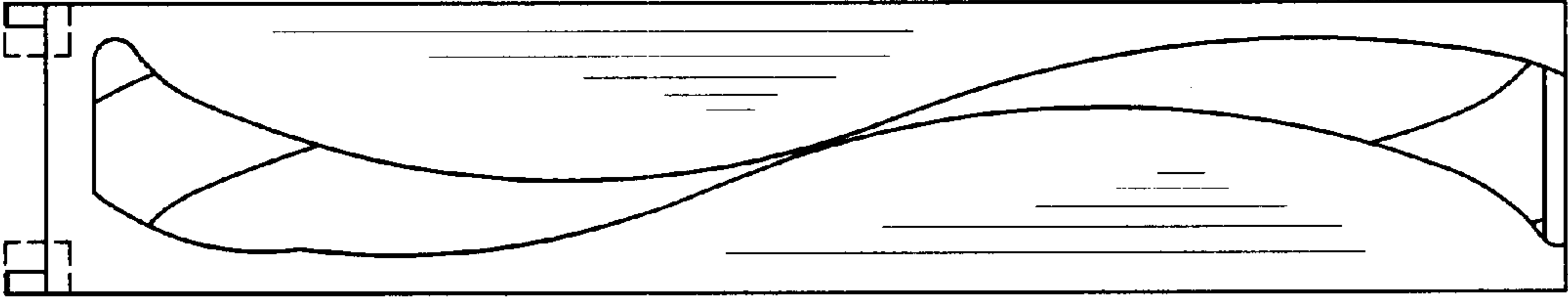


FIG. 2

FIG. 3



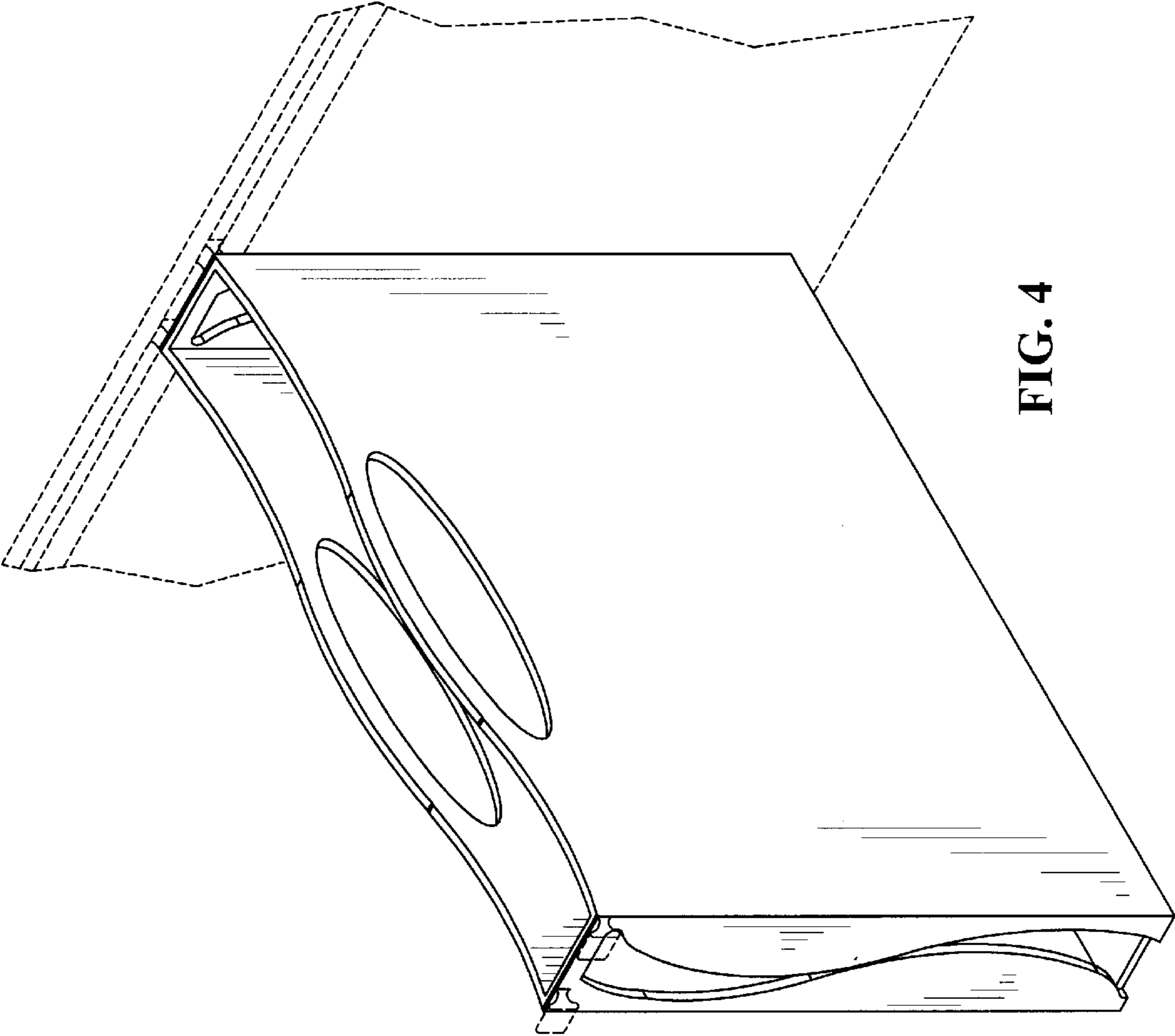


FIG. 4

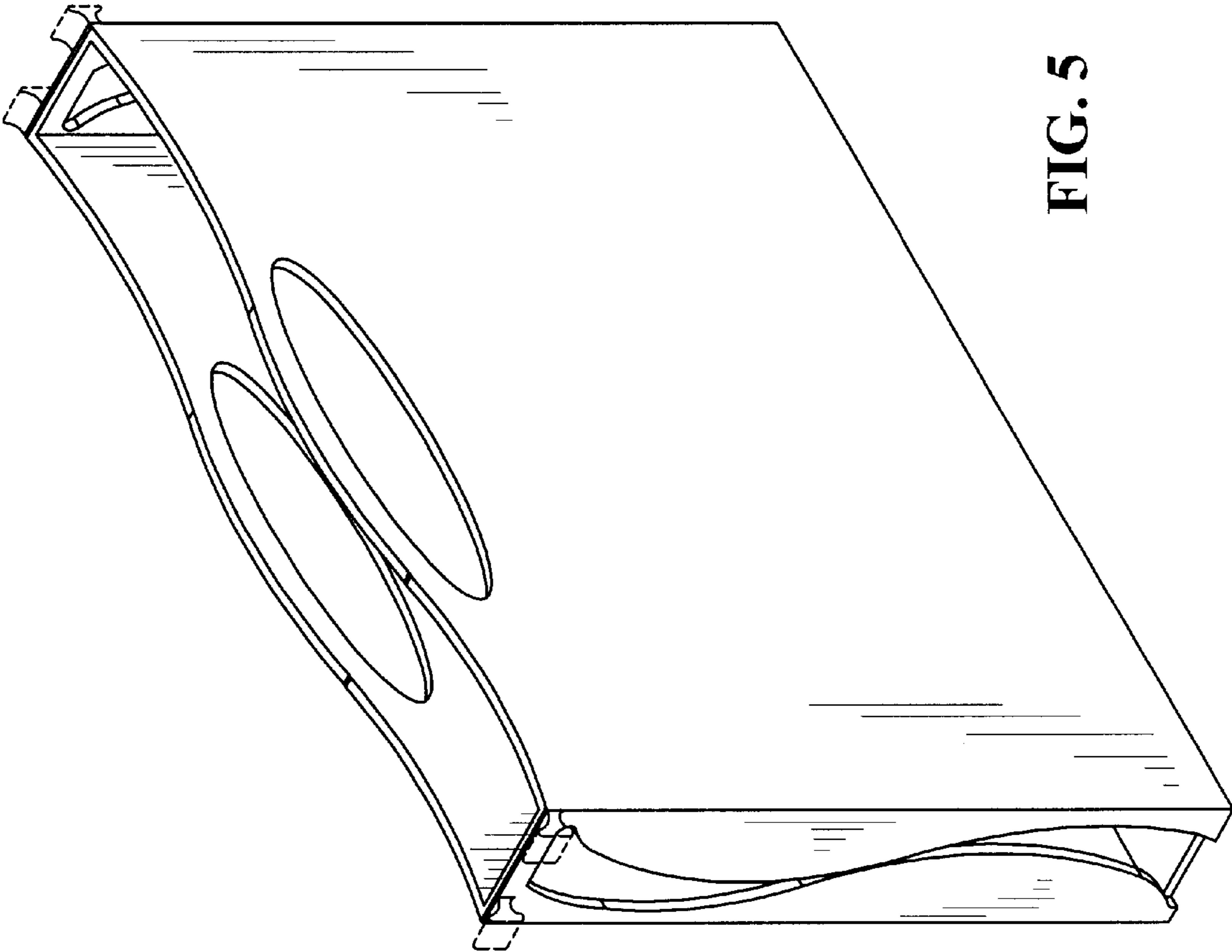


FIG. 5

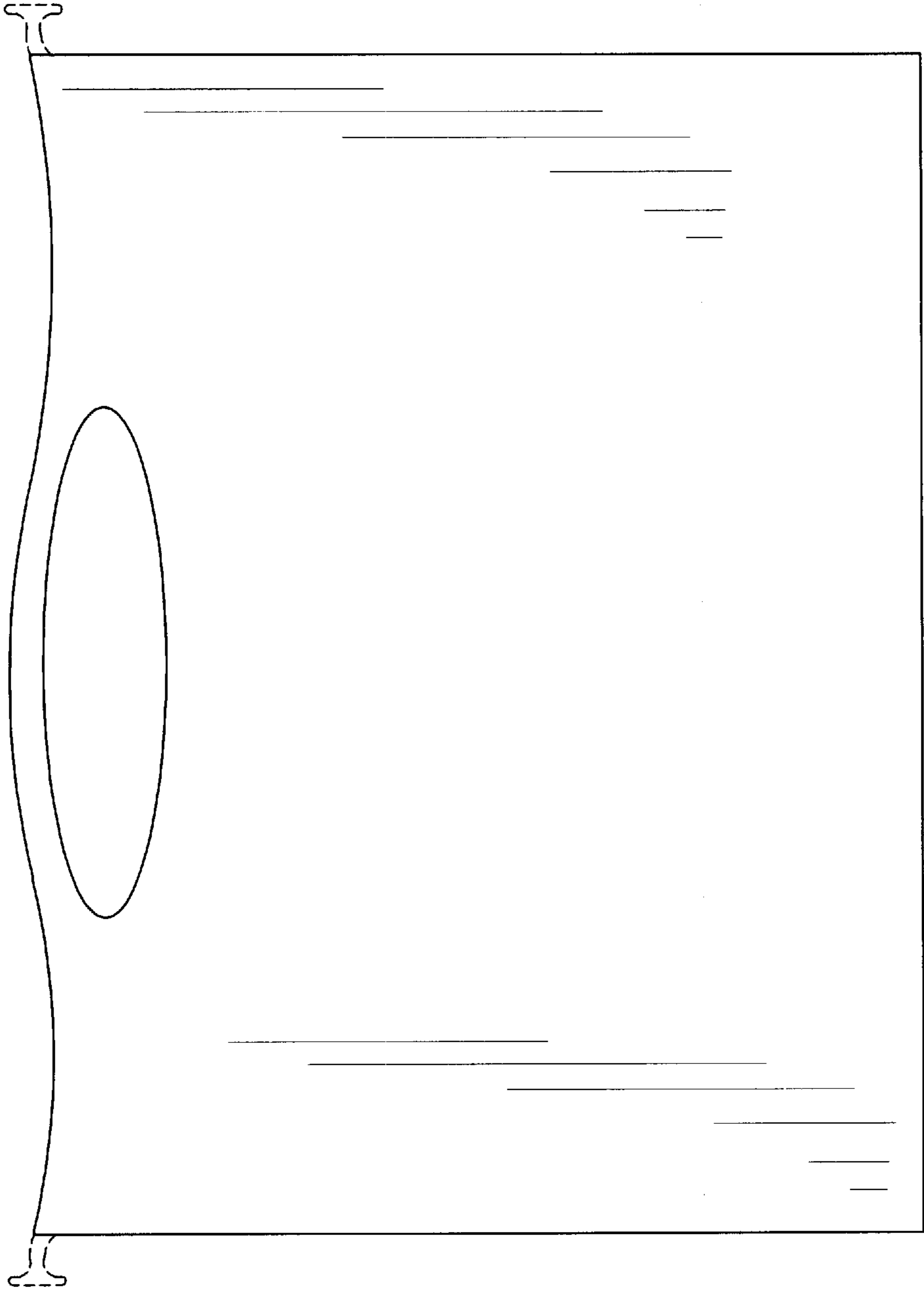
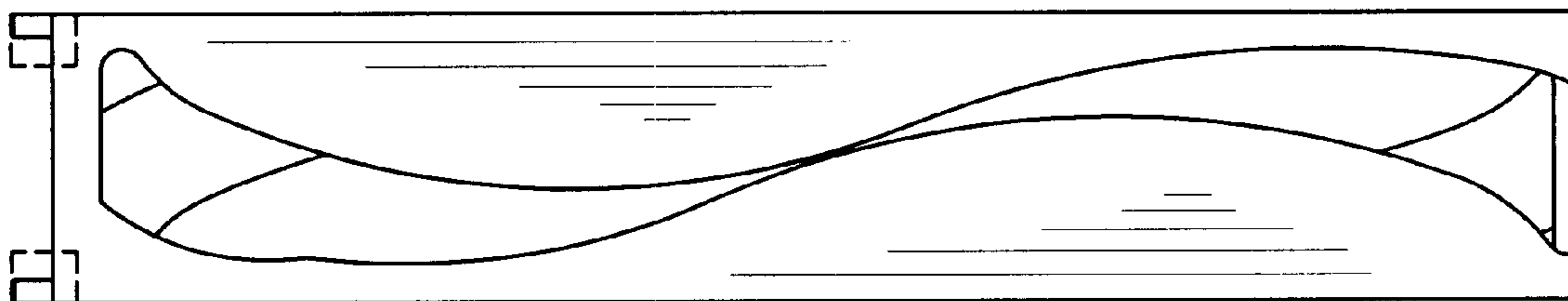


FIG. 6

FIG. 7





UNITED STATES PATENT AND TRADEMARK OFFICE  
**CERTIFICATE OF CORRECTION**

PATENT NO. : Des. 503,431 S  
DATED : March 29, 2005  
INVENTOR(S) : Keith E. Metcalf et al.

Page 1 of 1

It is certified that error appears in the above-identified patent and that said Letters Patent is hereby corrected as shown below:

Drawings.  
Please delete figures 5 through 7.

Signed and Sealed this

Thirteenth Day of December, 2005

A handwritten signature in black ink that reads "Jon W. Dudas". The signature is written in a cursive style with a large, stylized initial "J" and "D".

JON W. DUDAS  
*Director of the United States Patent and Trademark Office*