

US00D503430S

(12) **United States Design Patent**
Chang

(10) **Patent No.: US D503,430 S**

(45) **Date of Patent: ** Mar. 29, 2005**

(54) **CLIP FOR PENS**

(76) Inventor: **Chun Yuan Chang**, P.O. Box 63-99,
Taichung (TW), 406

(**) Term: **14 Years**

(21) Appl. No.: **29/205,886**

(22) Filed: **May 21, 2004**

(51) **LOC (7) Cl. 10-06**

(52) **U.S. Cl. D19/83; D19/85; D19/65**

(58) **Field of Search D2/891; D3/215;**
D8/394-396; D28/73, 77; D19/35, 36, 65,
75, 77, 78, 81-85, 99, 100; 40/658; 47/45;
248/305, 316.7, 231.8, 205.3; 224/247,
312, 217; 401/131; 281/30, 45, 51; D20/43;
24/10 A, 3.12, 3.3, 10 R, 11 R, 11 CT,
11 HC, 11 PP, 67 R, 67.1-67.11, 326, 339,
458, 601.4; 211/69.1-69.9, 88.01

(56) **References Cited**

U.S. PATENT DOCUMENTS

231,969 A *	9/1880	Perkins	211/69.8
803,464 A *	10/1905	Beck	24/339
881,757 A *	3/1908	Winsor	24/10 A
1,324,308 A *	12/1919	Crossan	24/11 CT
1,346,393 A *	7/1920	Woodhouse	281/30
1,462,714 A *	7/1923	Marchand	24/546
1,730,959 A *	10/1929	Warfield, Jr.	40/658
1,899,509 A *	2/1933	Lapin	211/88.01

D156,659 S *	12/1949	Reed	D8/395
2,549,200 A *	4/1951	Hooks	24/67.9
5,082,225 A *	1/1992	Nespoli	248/316.7
5,619,774 A *	4/1997	Perry	24/3.12
5,829,103 A *	11/1998	Allen	24/11 R
5,867,874 A *	2/1999	Simpson	24/10 R
5,881,434 A *	3/1999	Rigney	24/11 R
D407,537 S *	4/1999	Simpson	D2/891
D412,601 S *	8/1999	Cooper	D28/73
D478,630 S *	8/2003	Riggins	D19/83

* cited by examiner

Primary Examiner—Martie K. Holtje

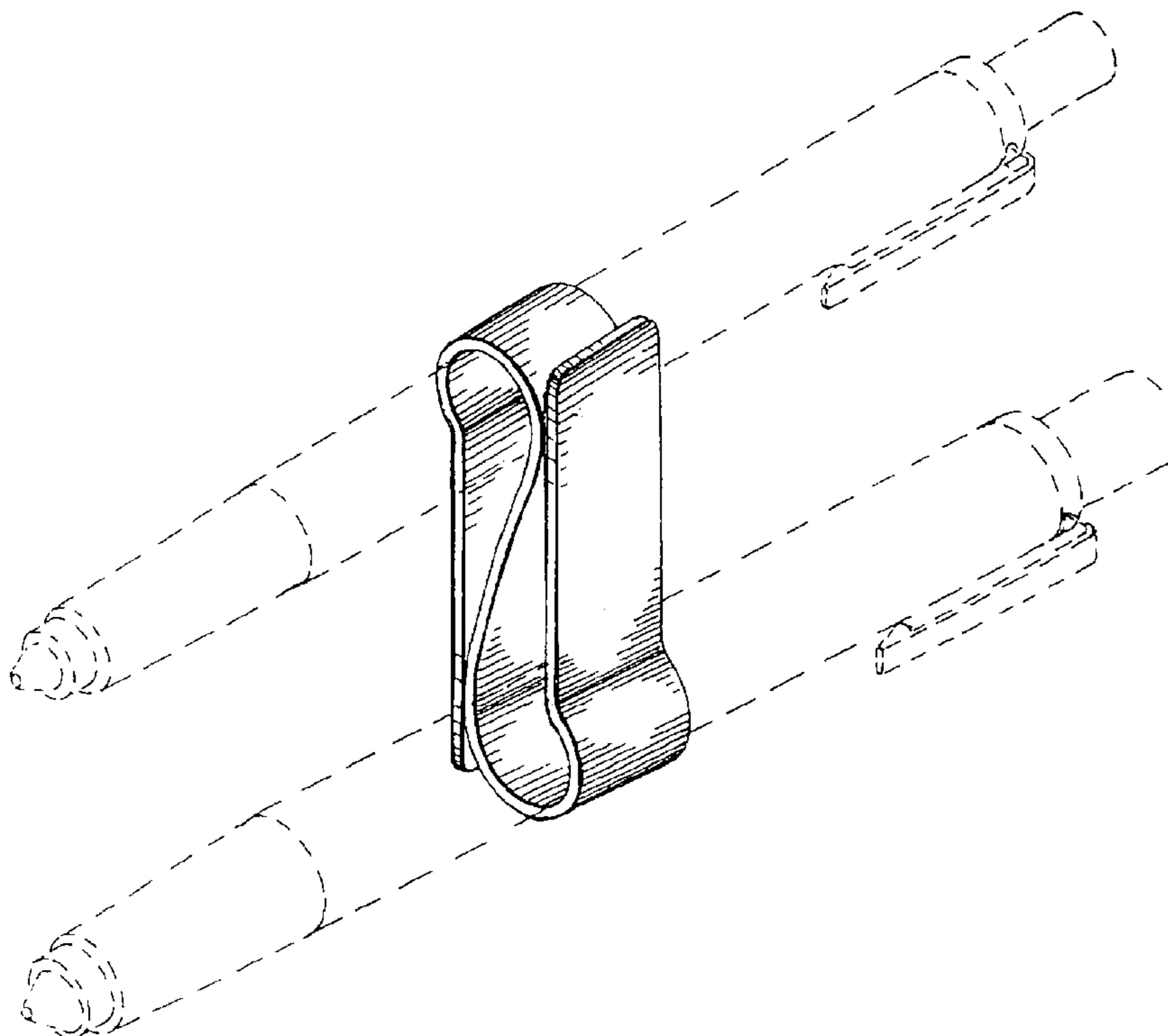
(57) **CLAIM**

The ornamental design for a clip for pens, as shown and described.

DESCRIPTION

FIG. 1 is a perspective view of a clip for pens showing my new design;
 FIG. 2 is a front elevational view thereof;
 FIG. 3 is a rear elevational view thereof;
 FIG. 4 is a top plan view thereof;
 FIG. 5 is a bottom plan view thereof;
 FIG. 6 is a left side elevational view thereof;
 FIG. 7 is a right side elevational view thereof; and,
 FIG. 8 is a perspective view thereof, the pens depicted by means of broken lines being for illustrative purposes only and forming no part of the claimed design.

1 Claim, 3 Drawing Sheets



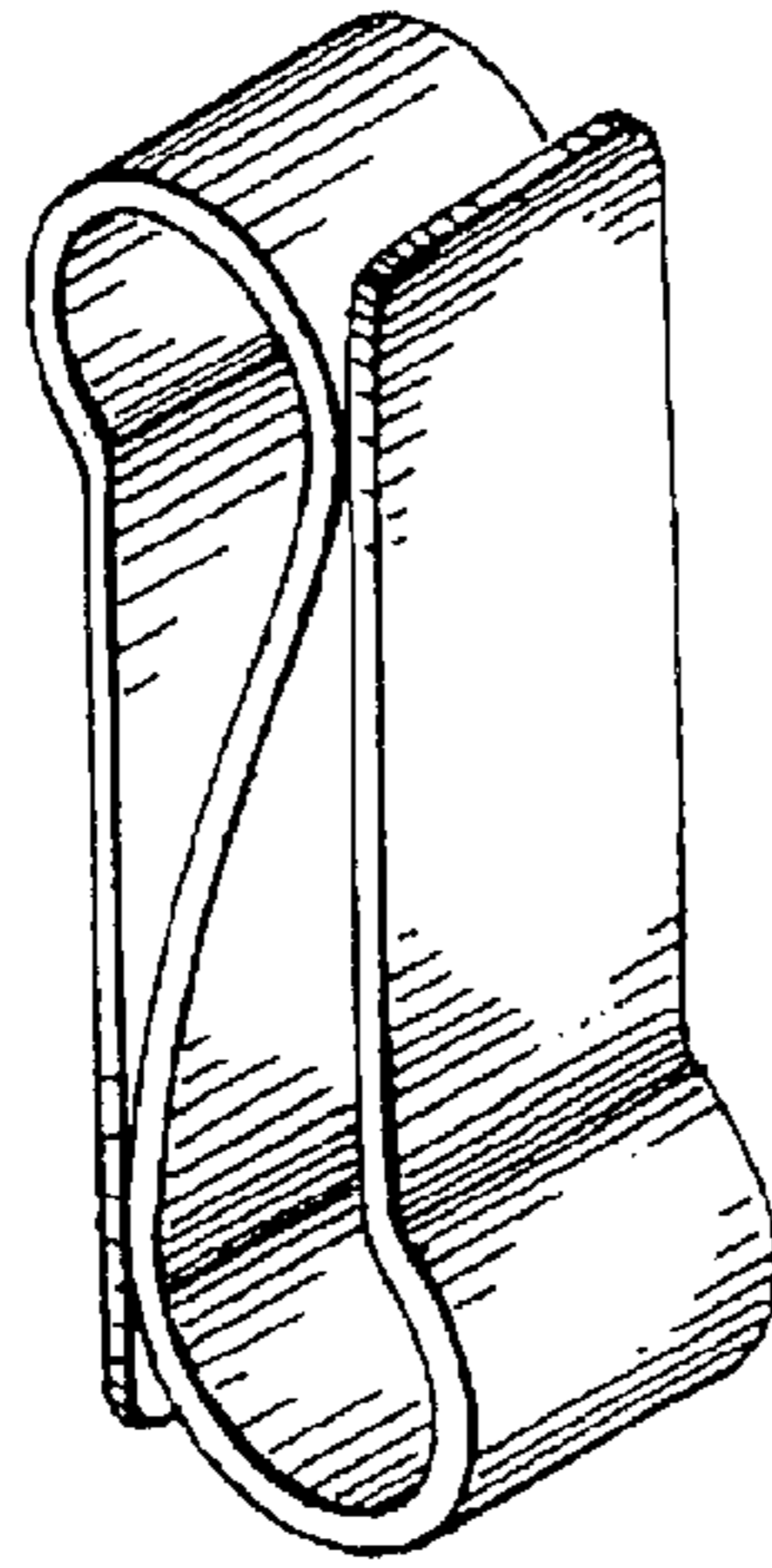


FIG. 1

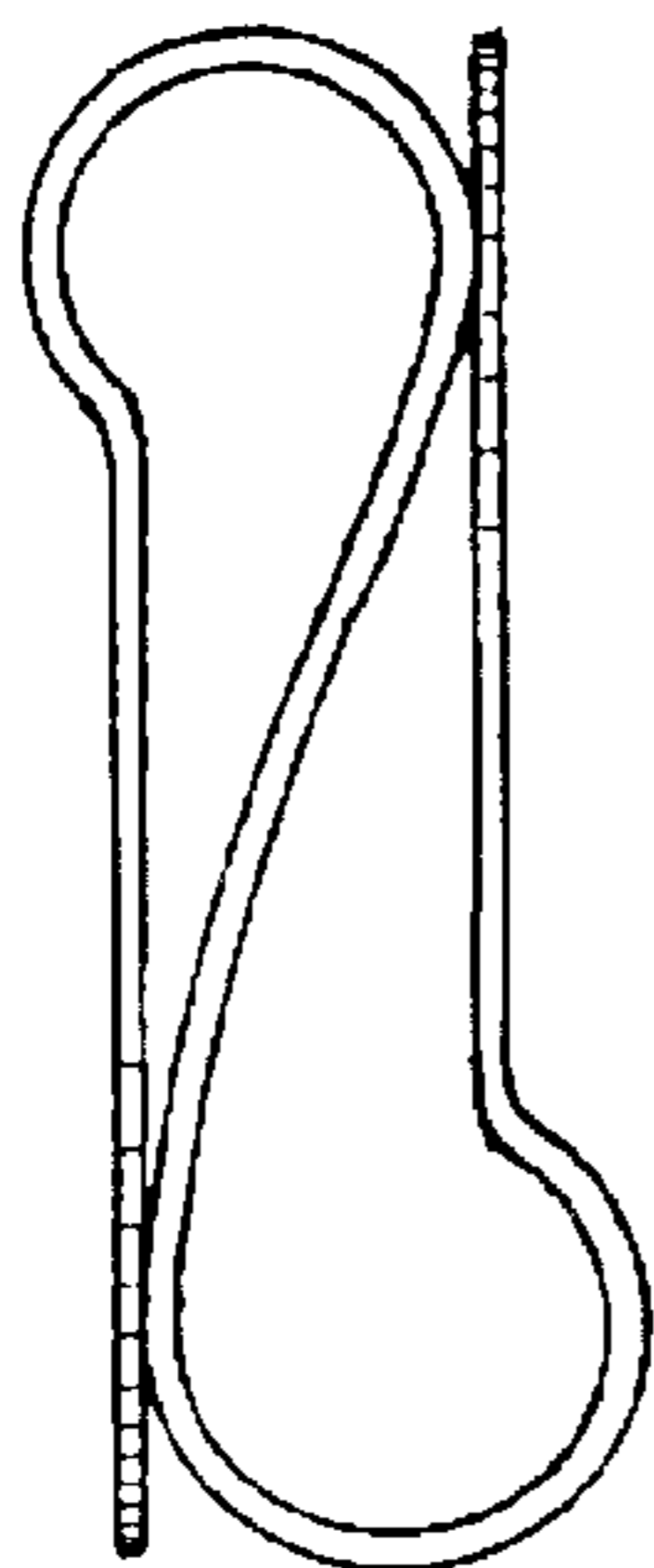


FIG. 2

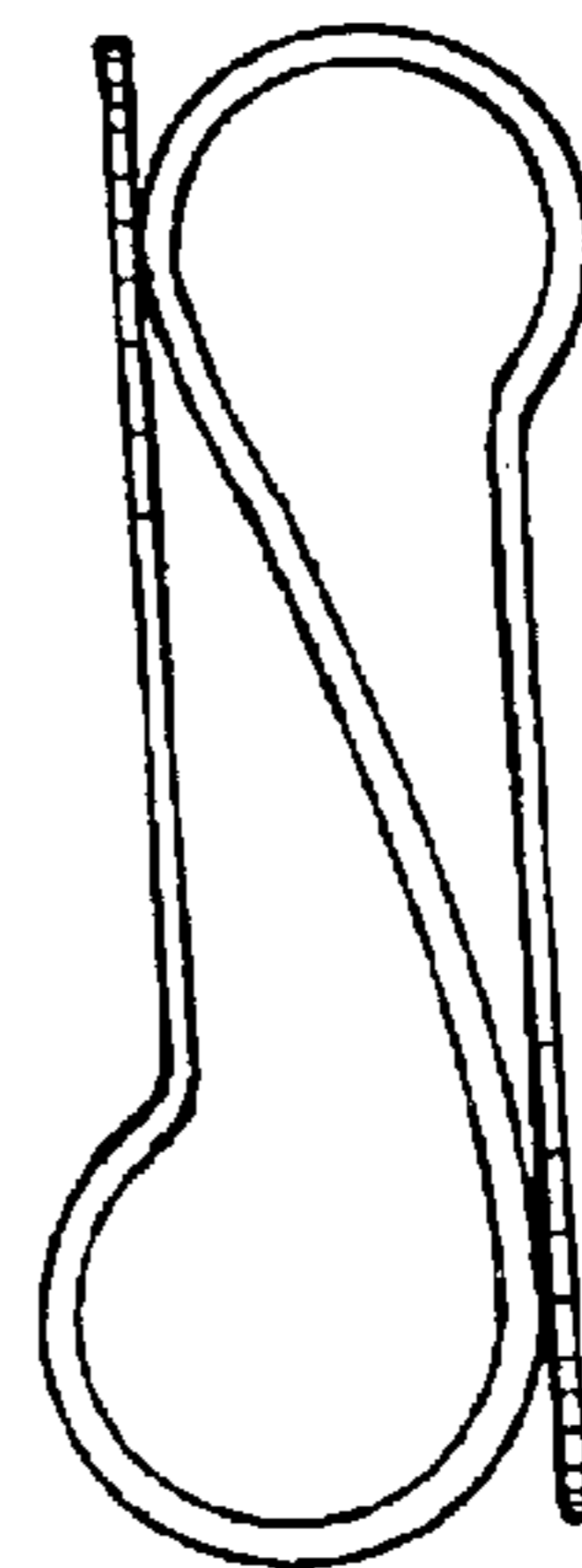


FIG. 3

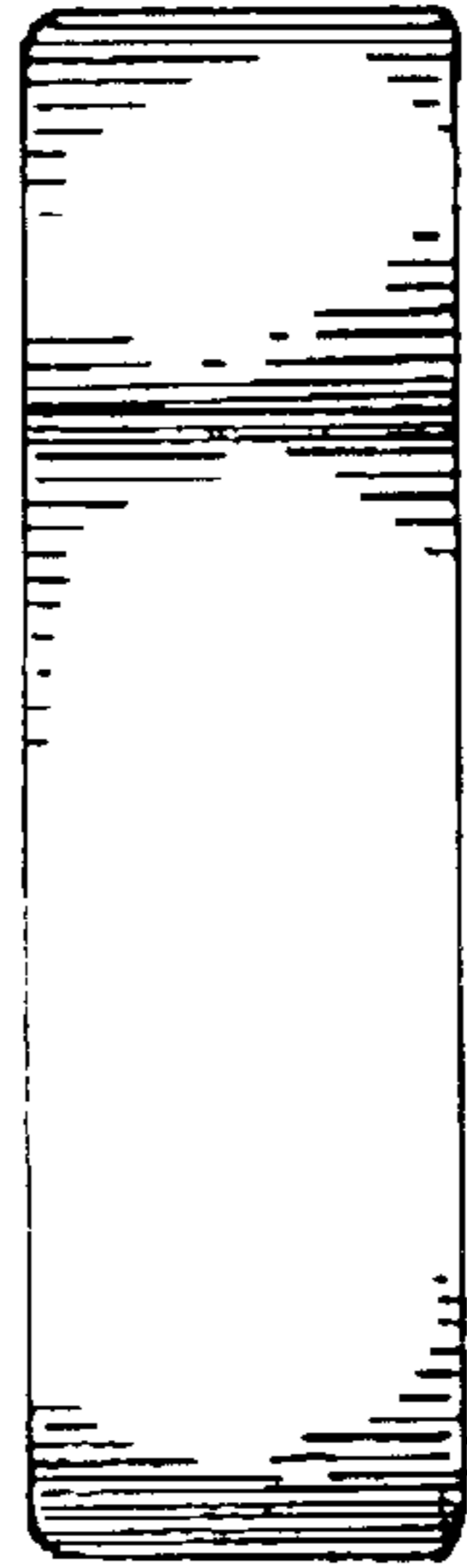


FIG. 6



FIG. 7

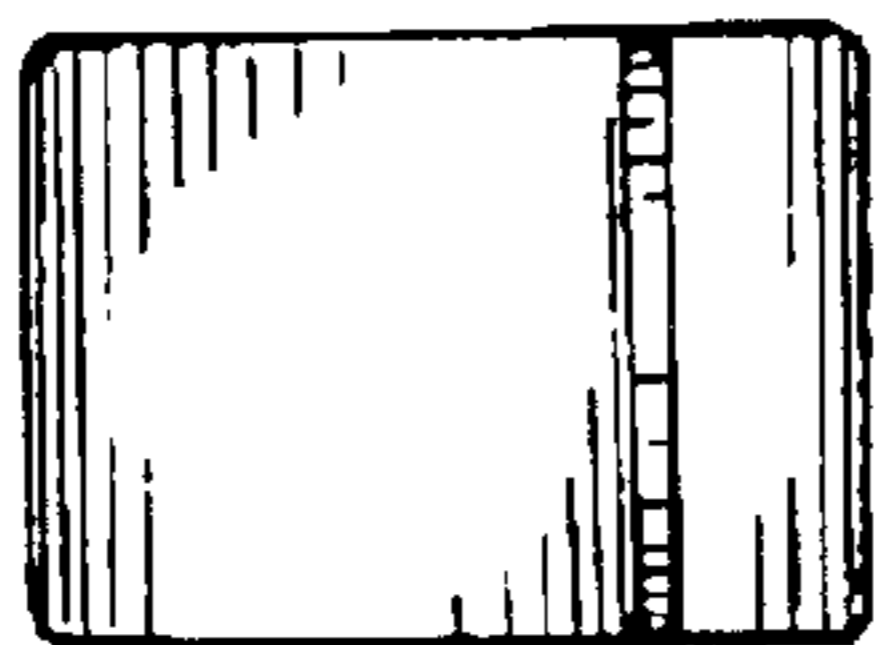


FIG. 4



FIG. 5

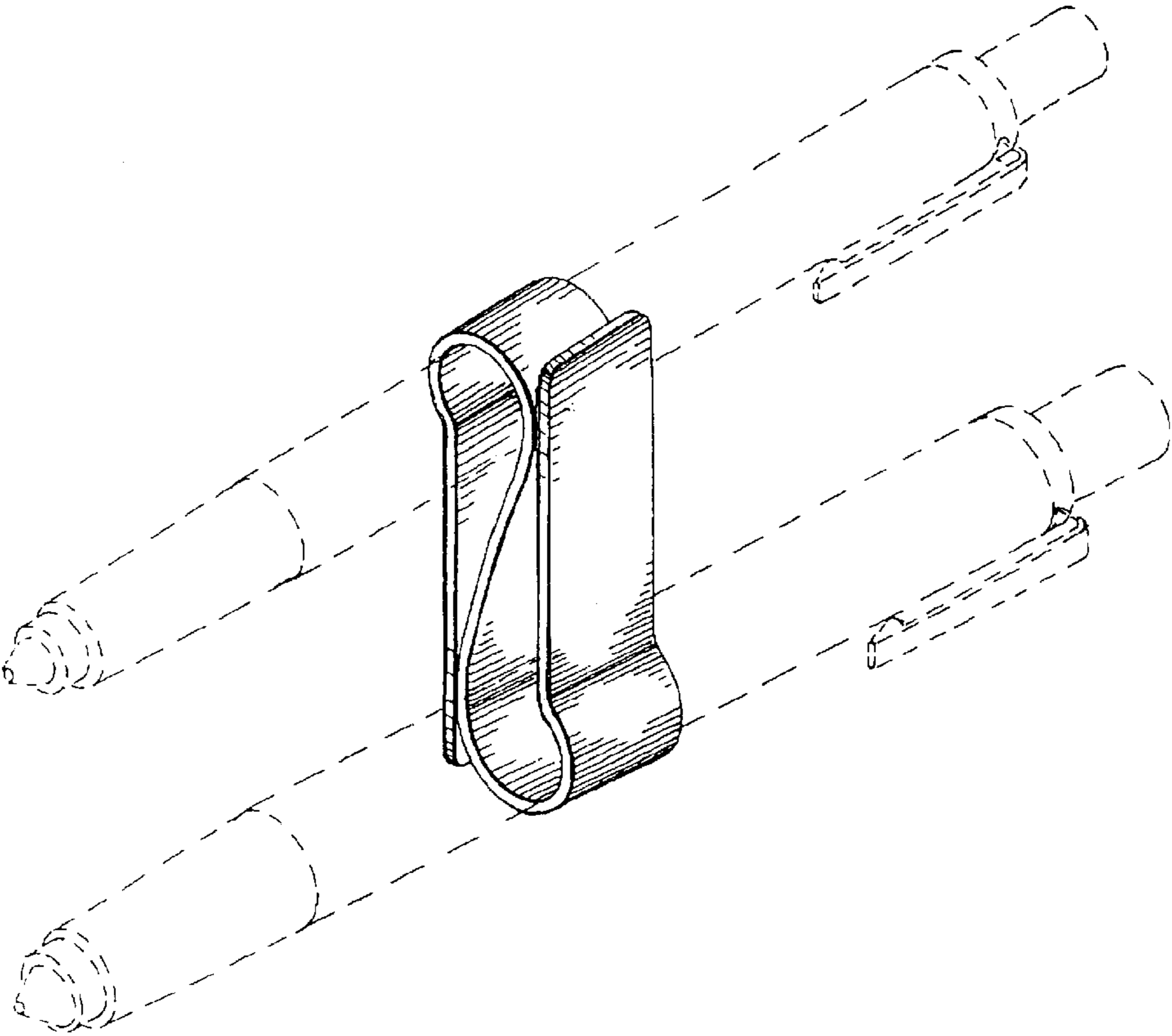


FIG. 8