

US00D503426S

(12) **United States Design Patent**  
**Chou**

(10) **Patent No.:** **US D503,426 S**  
(45) **Date of Patent:** **\*\* Mar. 29, 2005**

(54) **SUPPORT FRAME FOR SHEET MEMBERS**

(76) **Inventor:** **Hen An Chou**, P.O. Box 10-69, Chong Ho, Taipei (TW), 235

(\*\*) **Term:** **14 Years**

(21) **Appl. No.:** **29/203,690**

(22) **Filed:** **Apr. 15, 2004**

(51) **LOC (7) Cl.** ..... **19-04**

(52) **U.S. Cl.** ..... **D19/27**

(58) **Field of Search** ..... D19/26, 27, 28,  
D19/29, 30, 31, 32, 33; 281/27.1, 27.2,  
2, 15.1; 402/1, 3, 4, 31, 32, 33, 34, 35,  
36, 37, 38, 39, 40, 41, 43

(56) **References Cited**

**U.S. PATENT DOCUMENTS**

1,827,592 A	*	10/1931	Lewis	.....	402/70
2,206,317 A	*	7/1940	Behn	.....	402/43
2,380,780 A	*	7/1945	Novak	.....	281/33
2,982,568 A	*	5/1961	Wolfe	.....	281/33
3,794,550 A	*	2/1974	Taillie	.....	281/21.1
D248,964 S	*	8/1978	Kizlauskas	.....	D19/76
4,365,434 A	*	12/1982	Doyel	.....	40/530
D341,374 S	*	11/1993	Ferranti et al.	.....	D19/27

5,503,486 A	*	4/1996	Zane	.....	402/72
D392,998 S	*	3/1998	Chan	.....	D19/32
6,109,812 A	*	8/2000	Welch	.....	402/3
6,206,602 B1	*	3/2001	Yamamoto et al.	.....	402/73
D446,810 S	*	8/2001	Faulstich	.....	D19/27
D459,392 S	*	6/2002	Xu	.....	D19/32
D496,396 S	*	9/2004	Hyman	.....	D19/27
2003/0123923 A1	*	7/2003	Koike et al.	.....	402/19

\* cited by examiner

*Primary Examiner*—Joel A. Sincavage

*Assistant Examiner*—Elizabeth Albert

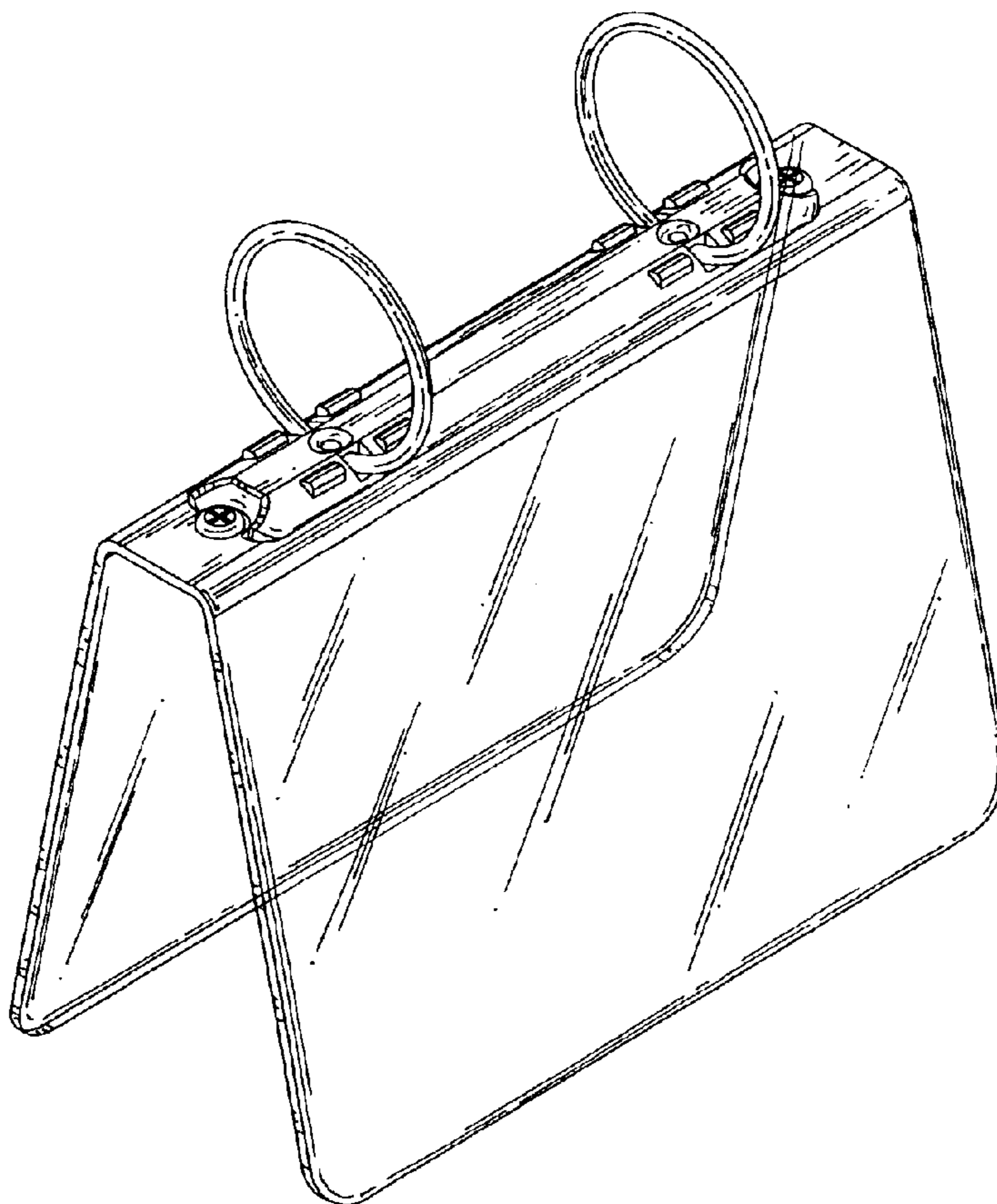
(57) **CLAIM**

The ornamental design for a support frame for sheet members, as shown and described.

**DESCRIPTION**

FIG. 1 is a perspective view of a support frame for sheet members showing my new design; FIG. 2 is a front elevational view thereof; FIG. 3 is a rear elevational view thereof; FIG. 4 is a top plan view thereof; FIG. 5 is a bottom plan view thereof; FIG. 6 is a left side elevational view thereof; and, FIG. 7 is a right side elevational view thereof.

**1 Claim, 5 Drawing Sheets**



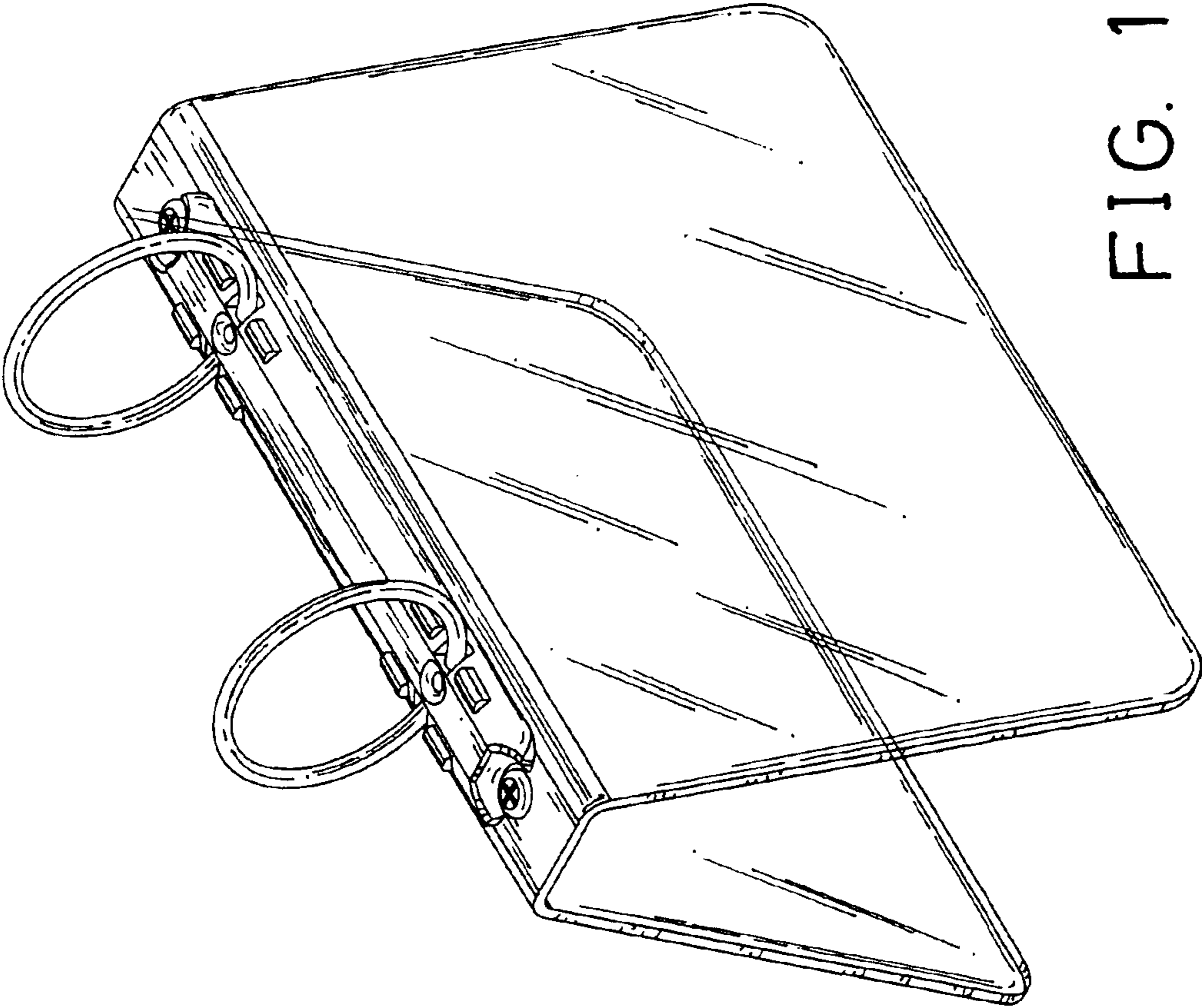


FIG. 1

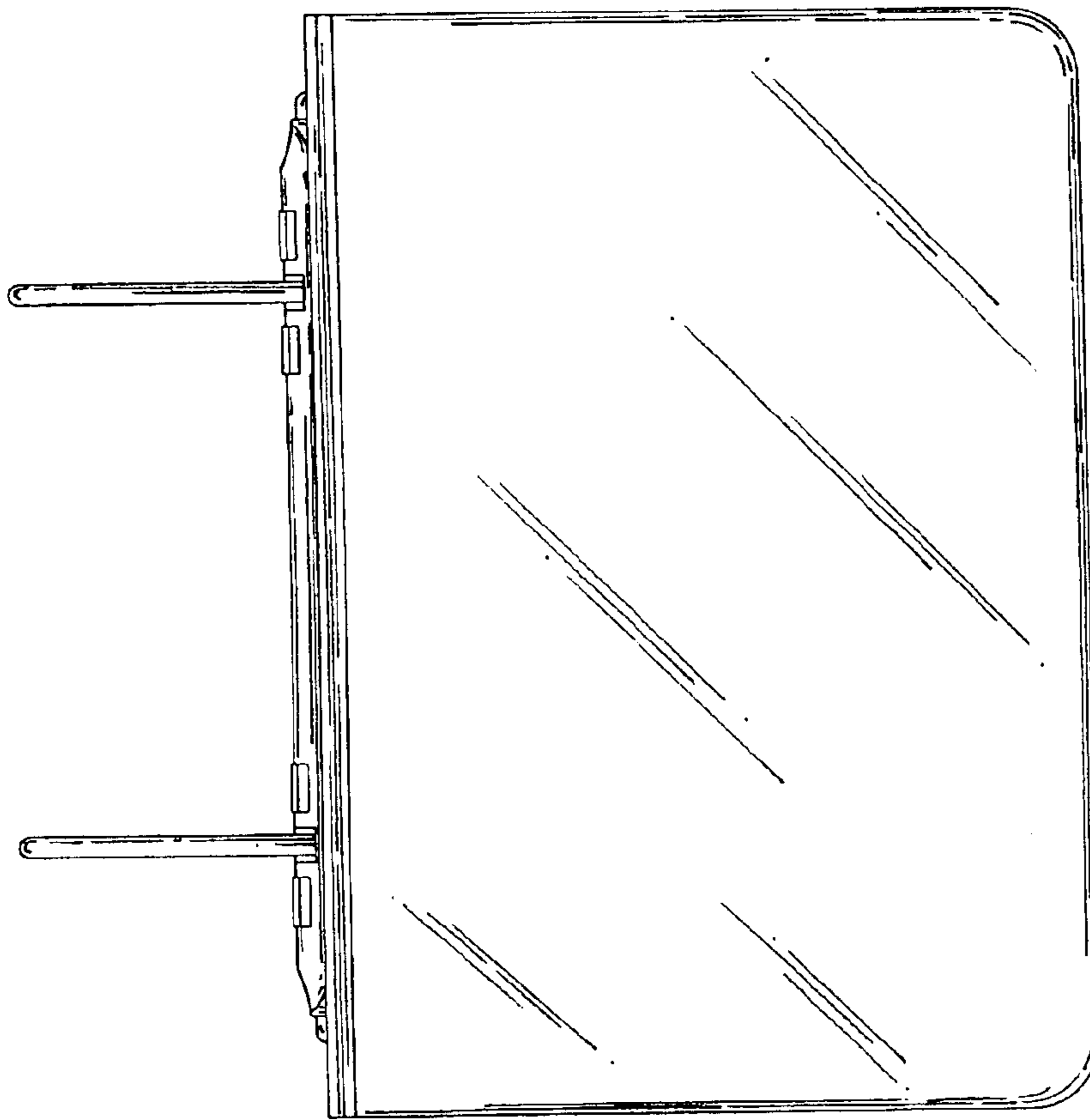


FIG. 2

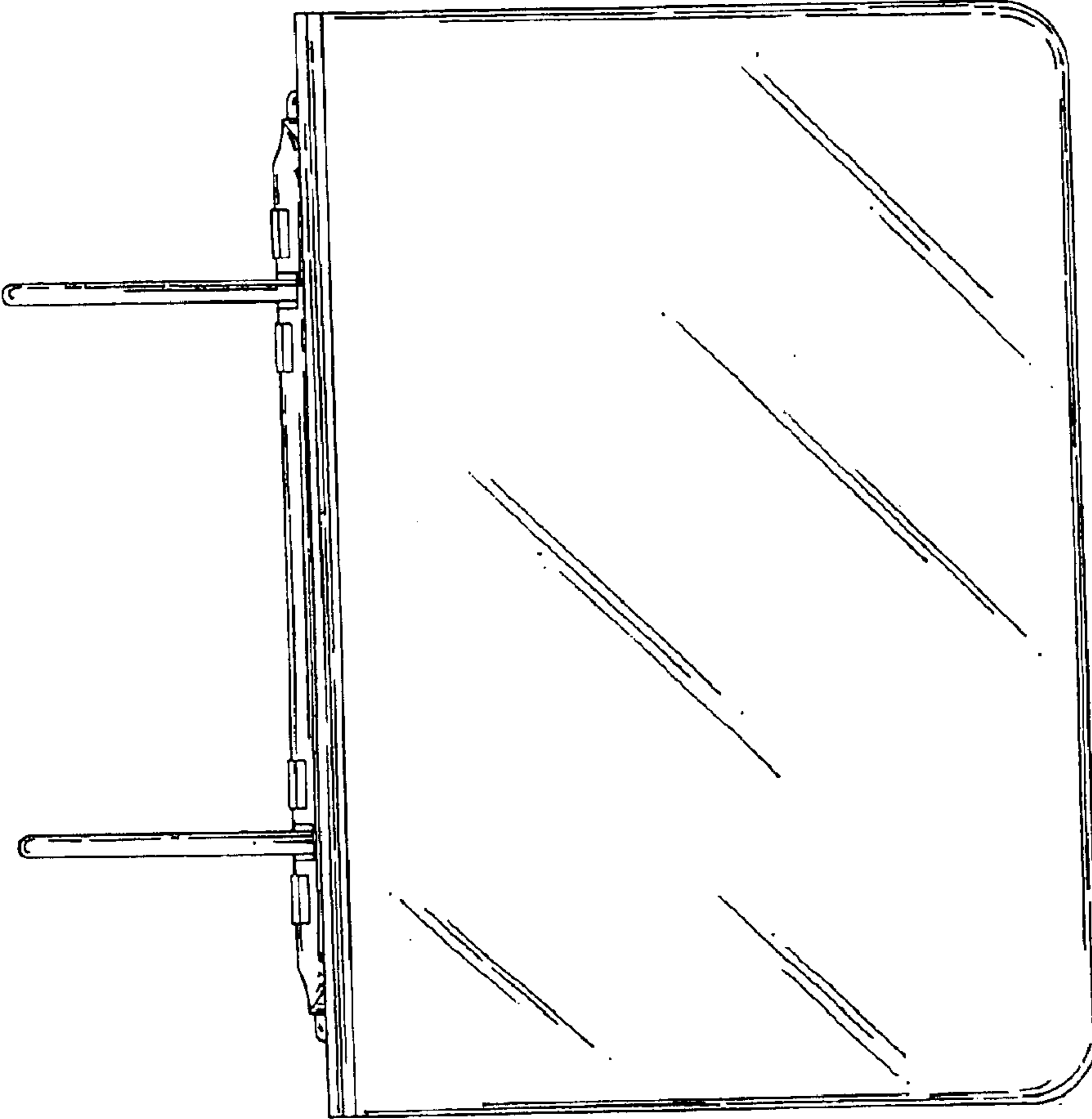


FIG. 3

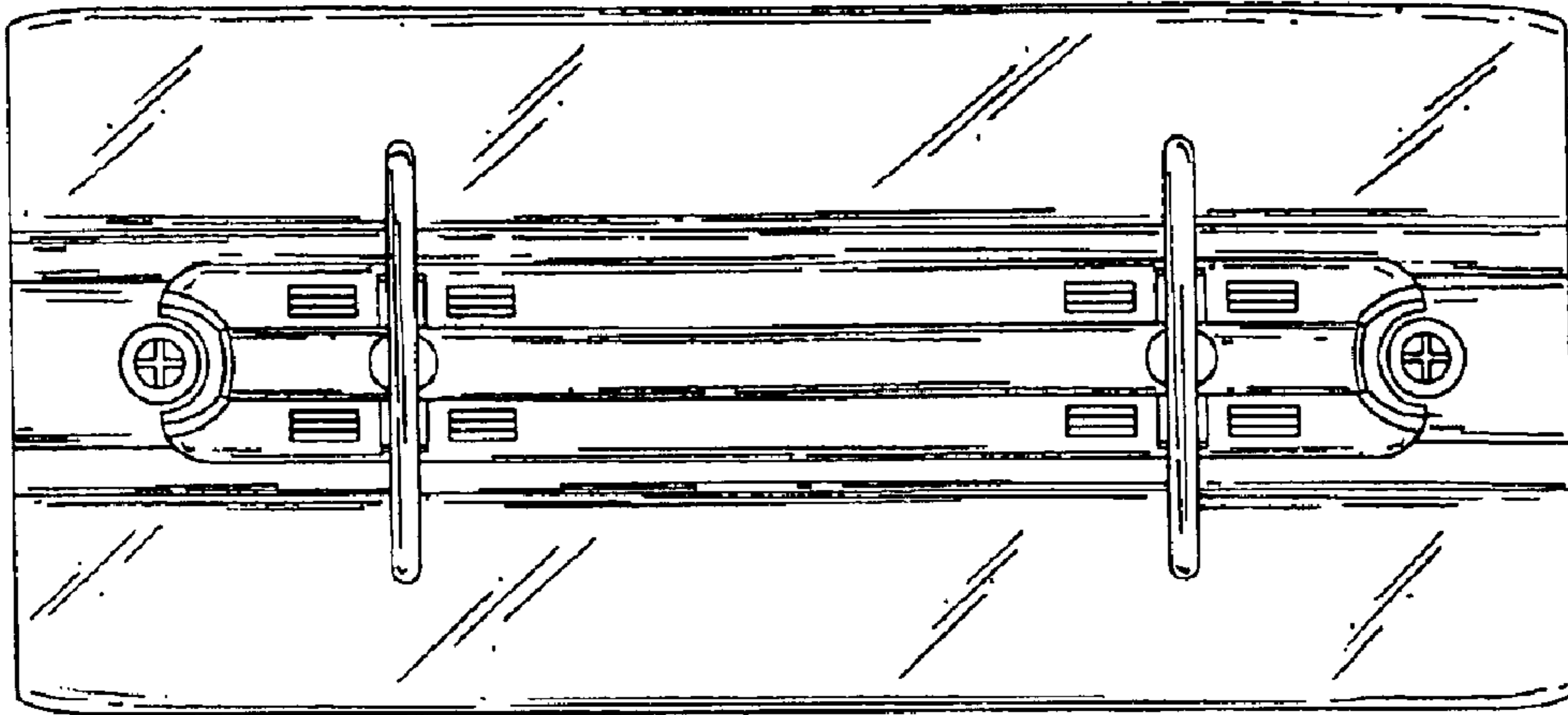


FIG. 4

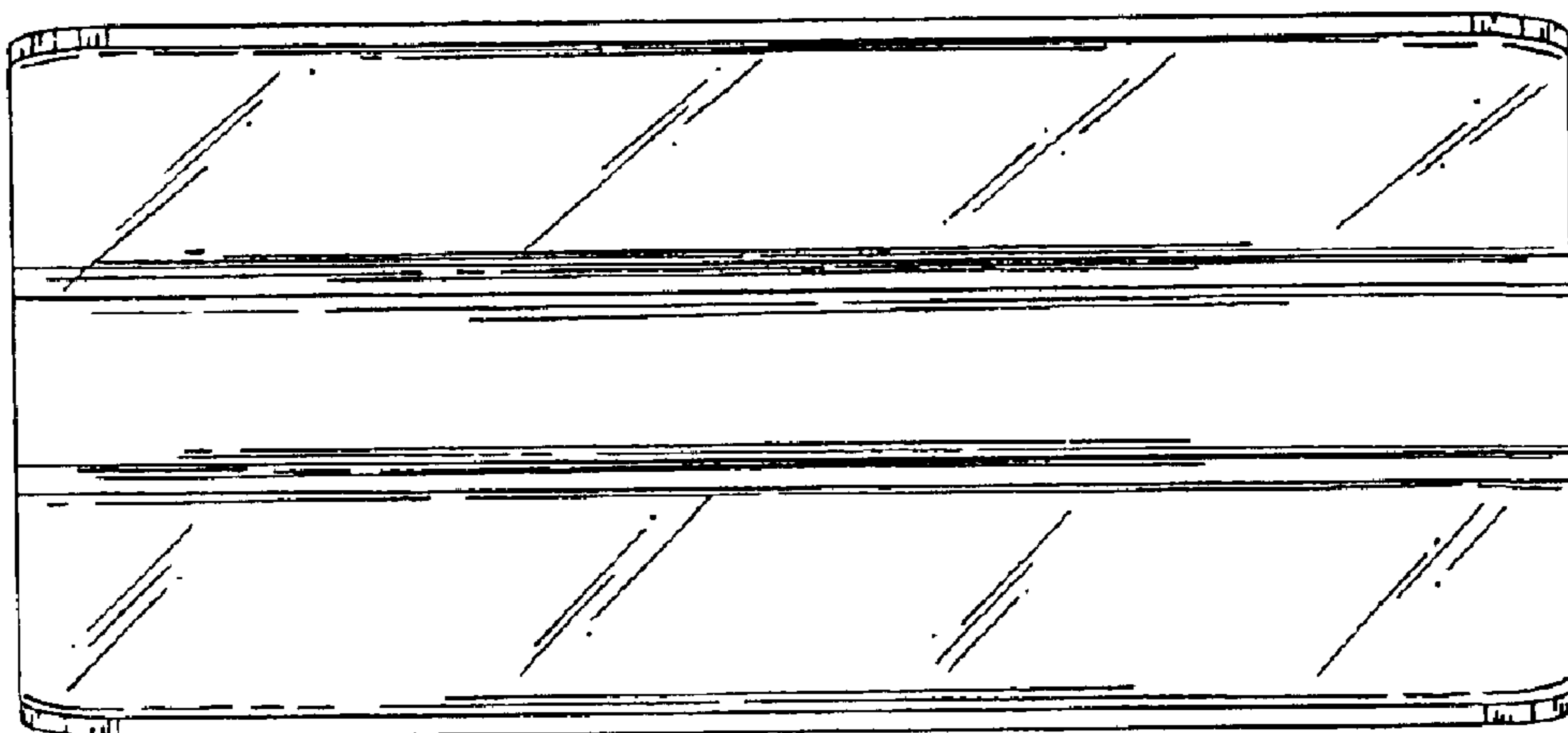


FIG. 5

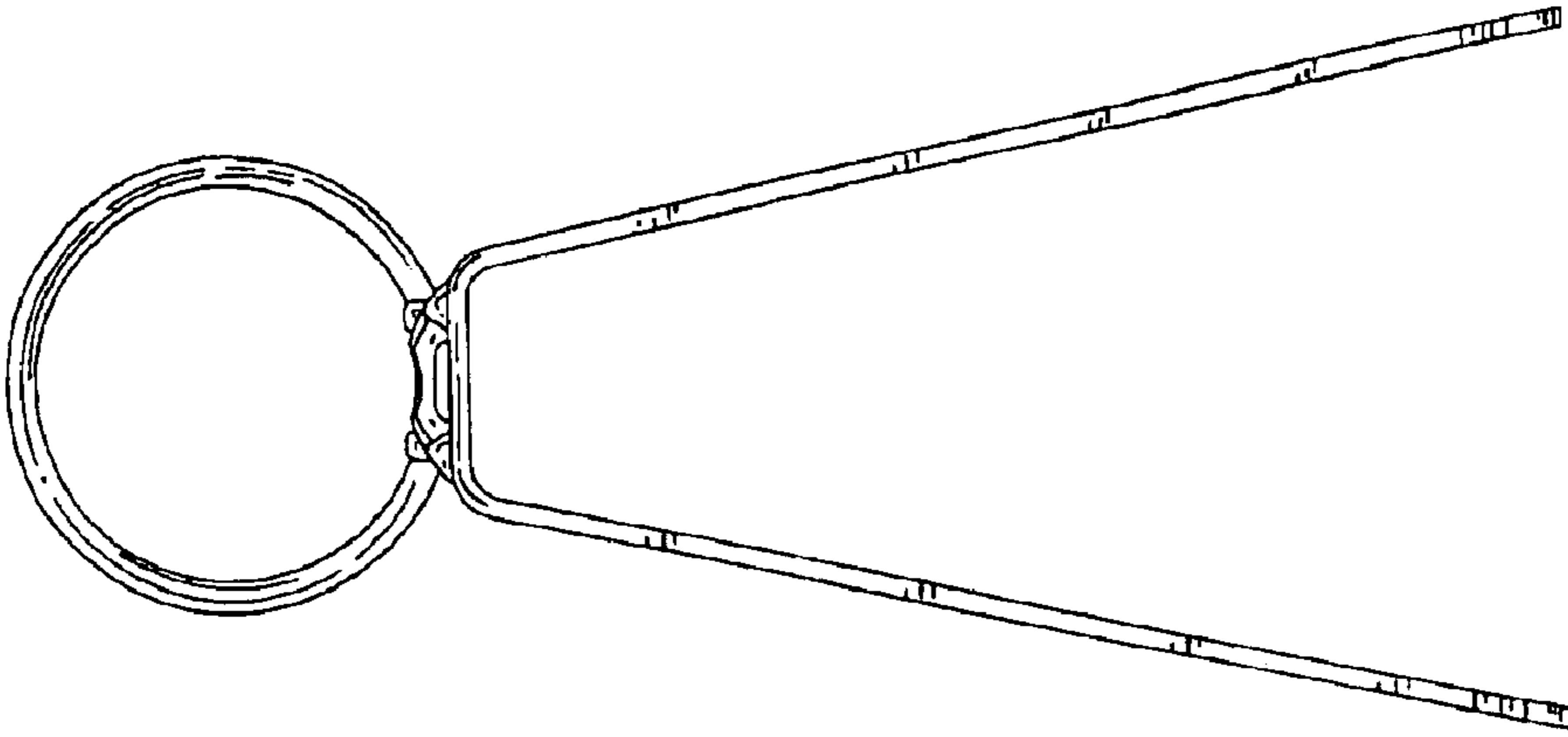


FIG. 7

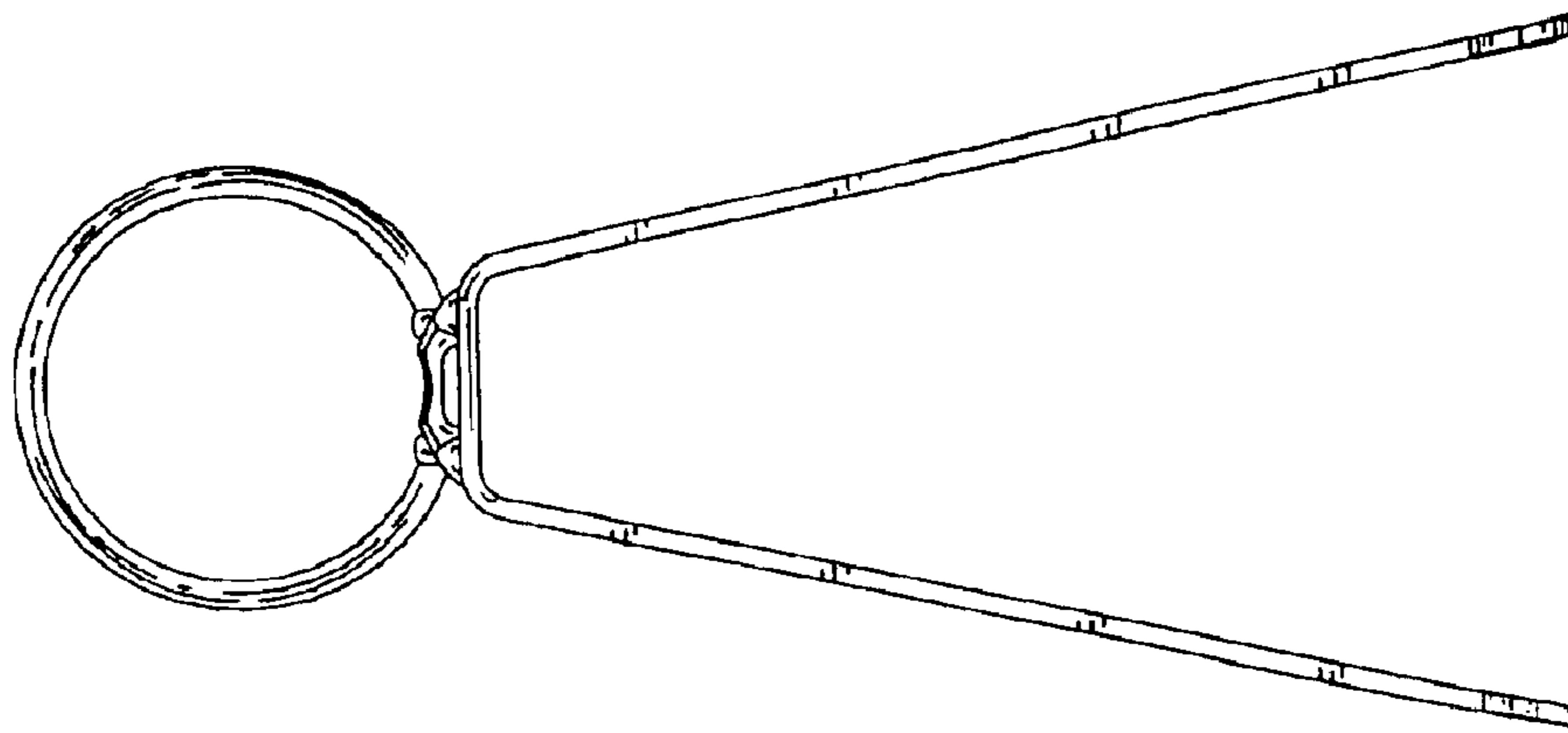


FIG. 6