

US00D503423S

(12) **United States Design Patent**
Hattori et al.

(10) **Patent No.:** **US D503,423 S**
(45) **Date of Patent:** **** Mar. 29, 2005**

(54) **TAPE PRINTING MACHINE**
(75) Inventors: **Satoru Hattori**, Nagoya (JP);
Toshihiro Takahashi, Nagoya (JP)
(73) Assignee: **Brother Industries, Ltd.**, Nagoya (JP)
(**) Term: **14 Years**

D359,753 S * 6/1995 Salinas et al. D18/19
D389,510 S * 1/1998 Mimoto D18/19
6,406,202 B1 * 6/2002 Unno et al. 400/613
D462,378 S * 9/2002 Hattori D18/19
D479,527 S * 9/2003 Eigenstetter et al. D14/346
D491,218 S * 6/2004 Masamitsu et al. D18/50
2002/0090243 A1 * 7/2002 Hosokawa et al. D18/50

* cited by examiner

(21) Appl. No.: **29/202,231**
(22) Filed: **Mar. 29, 2004**

Primary Examiner—Charles A. Rademaker
(74) *Attorney, Agent, or Firm*—Oliff & Berridge, PLC

(30) **Foreign Application Priority Data**

Sep. 29, 2003 (JP) 2003-028404

(51) **LOC (7) Cl.** **18-02**
(52) **U.S. Cl.** **D18/56**
(58) **Field of Search** D18/50, 19, 56,
D18/36-39; D14/613, 686, 692, 346; 400/613,
613.1-613.4, 691-694, 690.1-690.4; 355/78;
101/93.4, 269; D13/184

(57) **CLAIM**

The ornamental design for tape printing machine, as shown and described.

DESCRIPTION

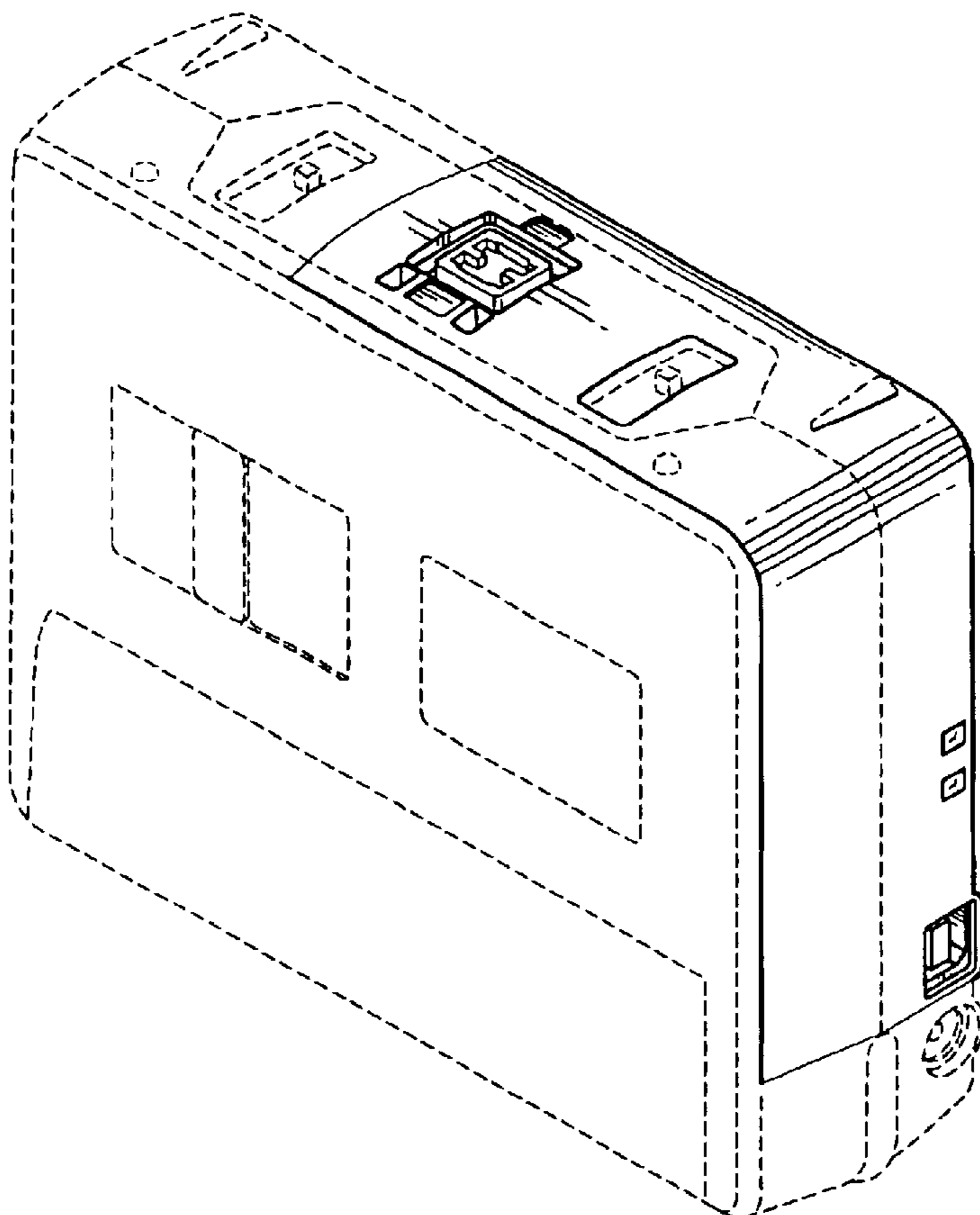
FIG. 1 is a front view of a tape printing machine;
FIG. 2 is a right-side view thereof;
FIG. 3 is a rear view thereof;
FIG. 4 is a bottom view thereof; and,
FIG. 5 is a rear perspective view thereof.
The broken line disclosure is for illustrative purposes only and forms no part of the claimed design.

(56) **References Cited**

U.S. PATENT DOCUMENTS

D315,919 S * 4/1991 Miyamoto et al. D18/50

1 Claim, 3 Drawing Sheets



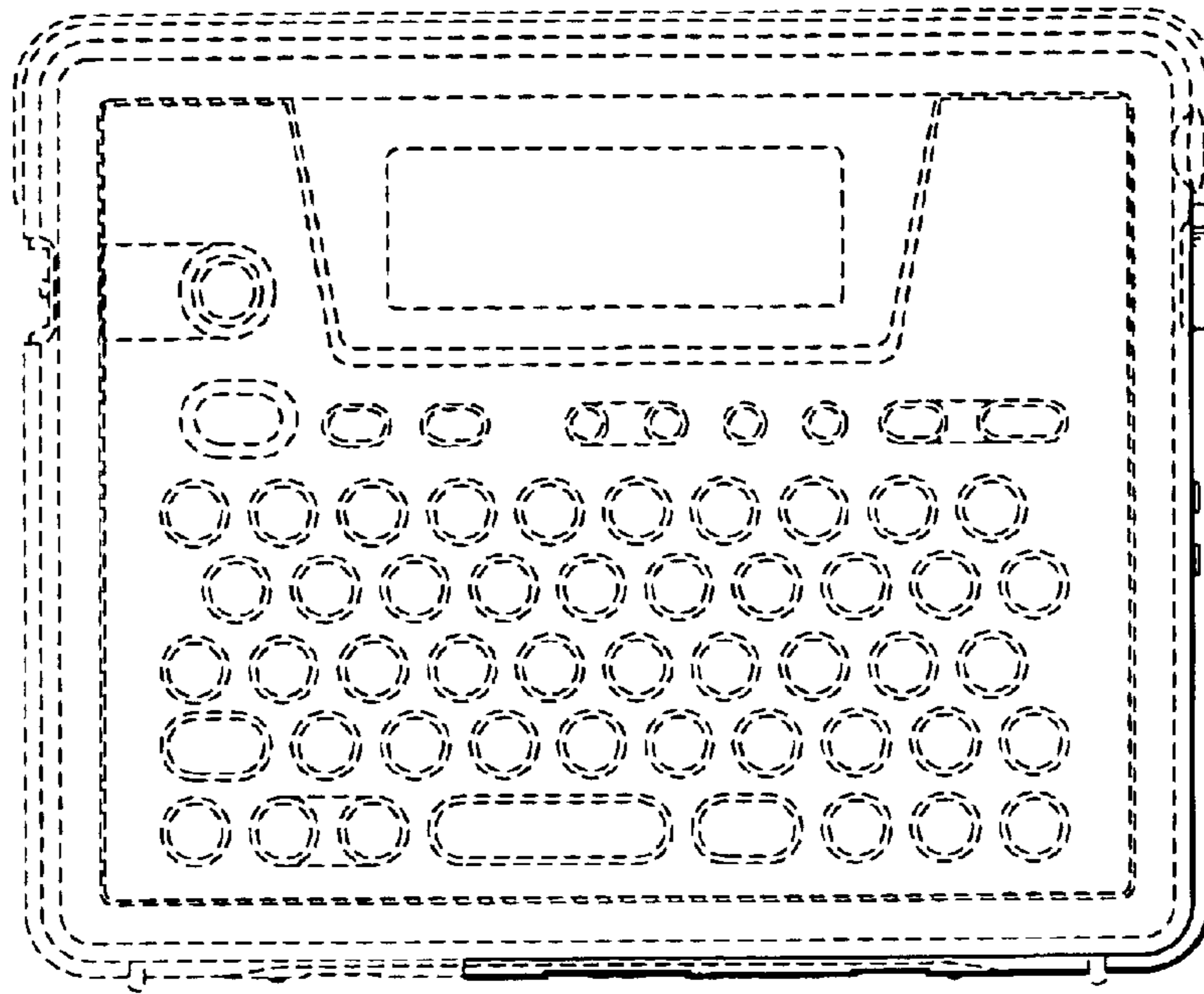


FIG. 1

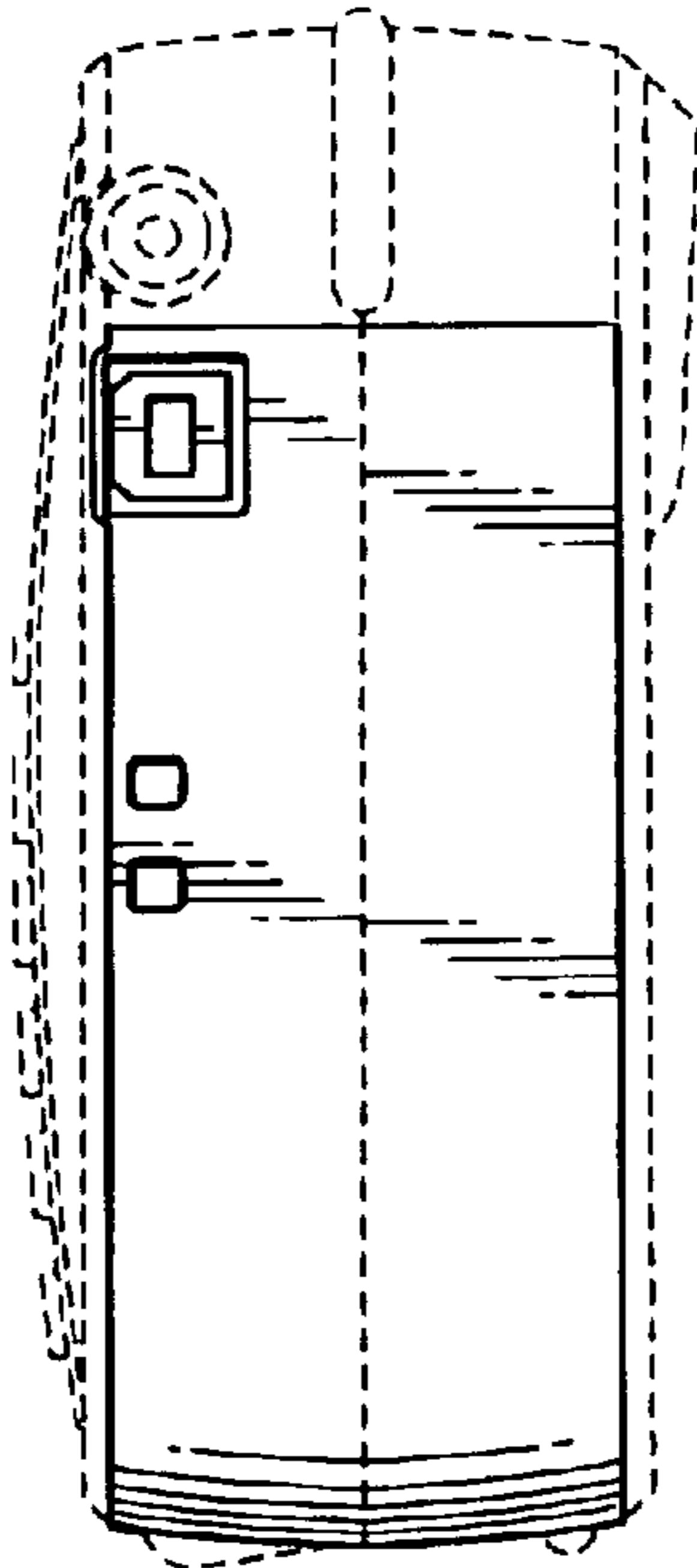


FIG. 2

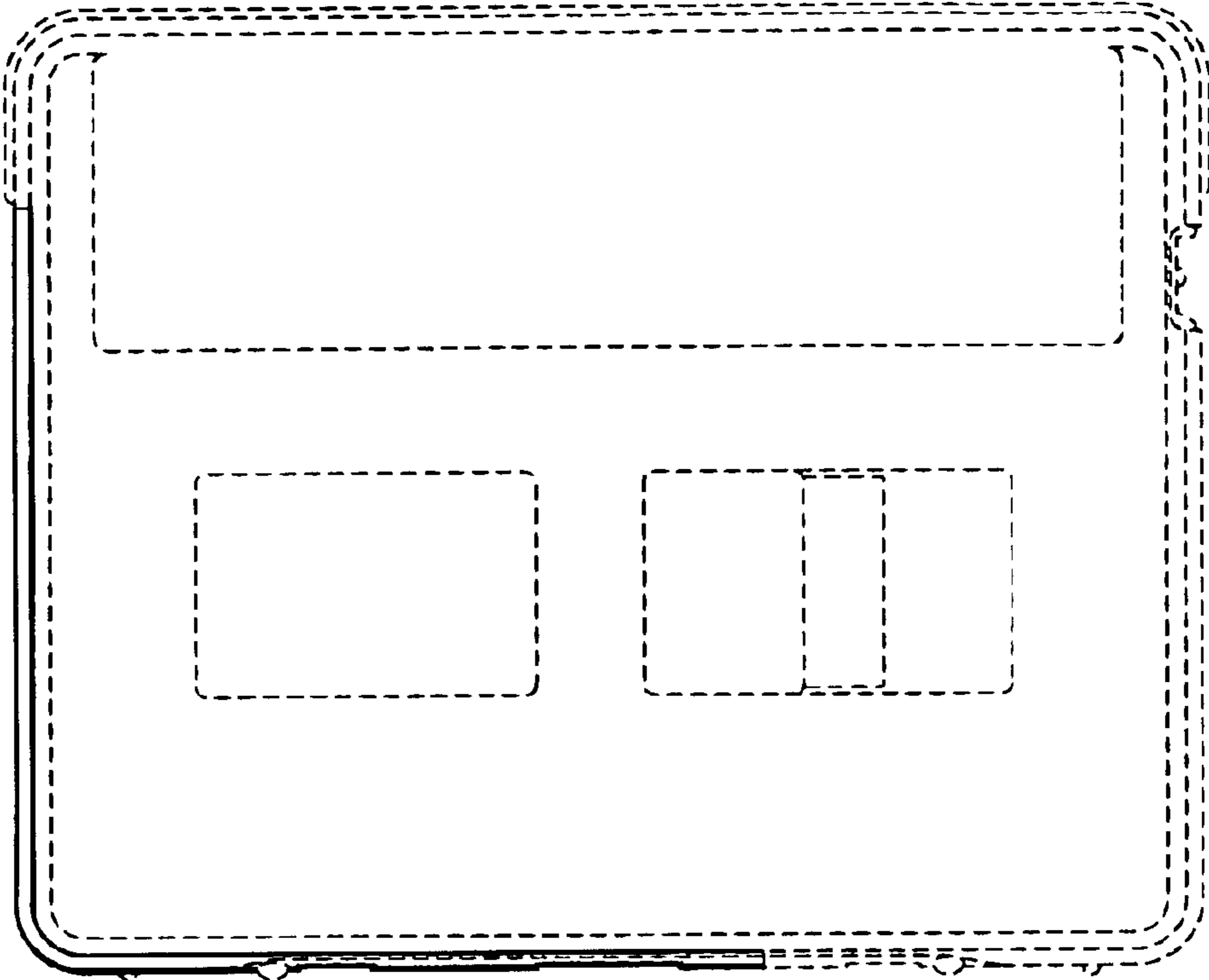


FIG. 3

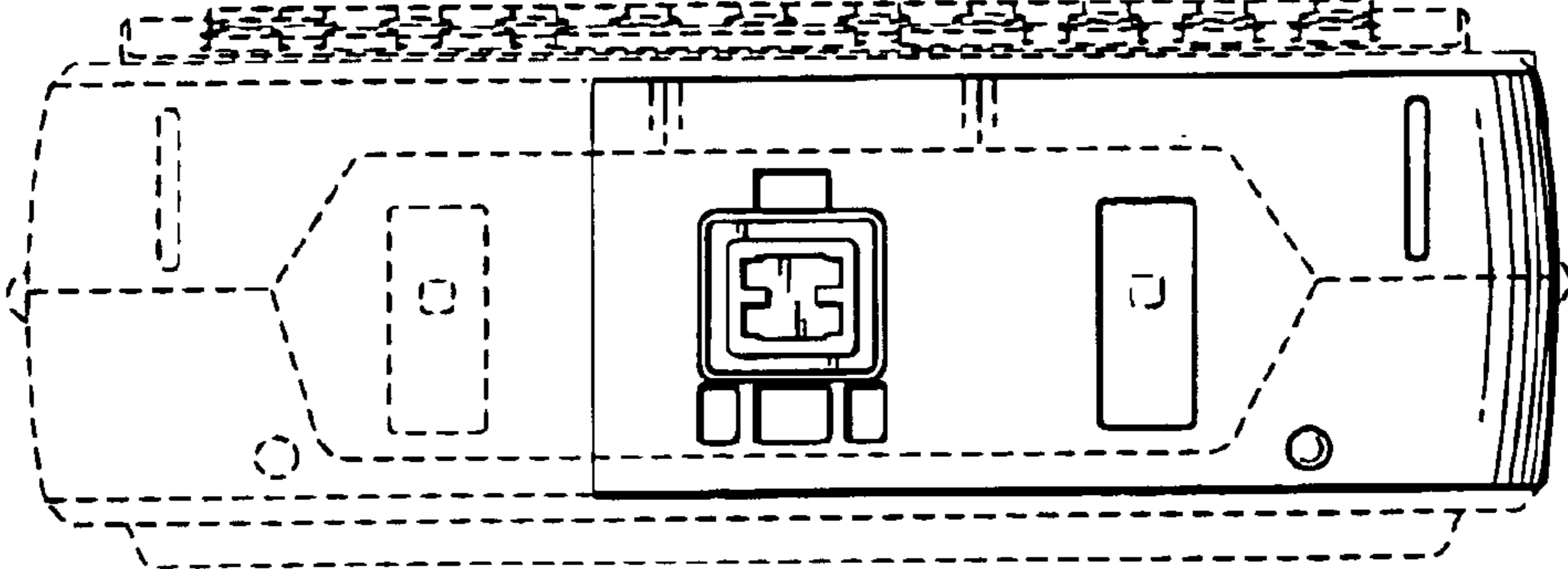


FIG. 4

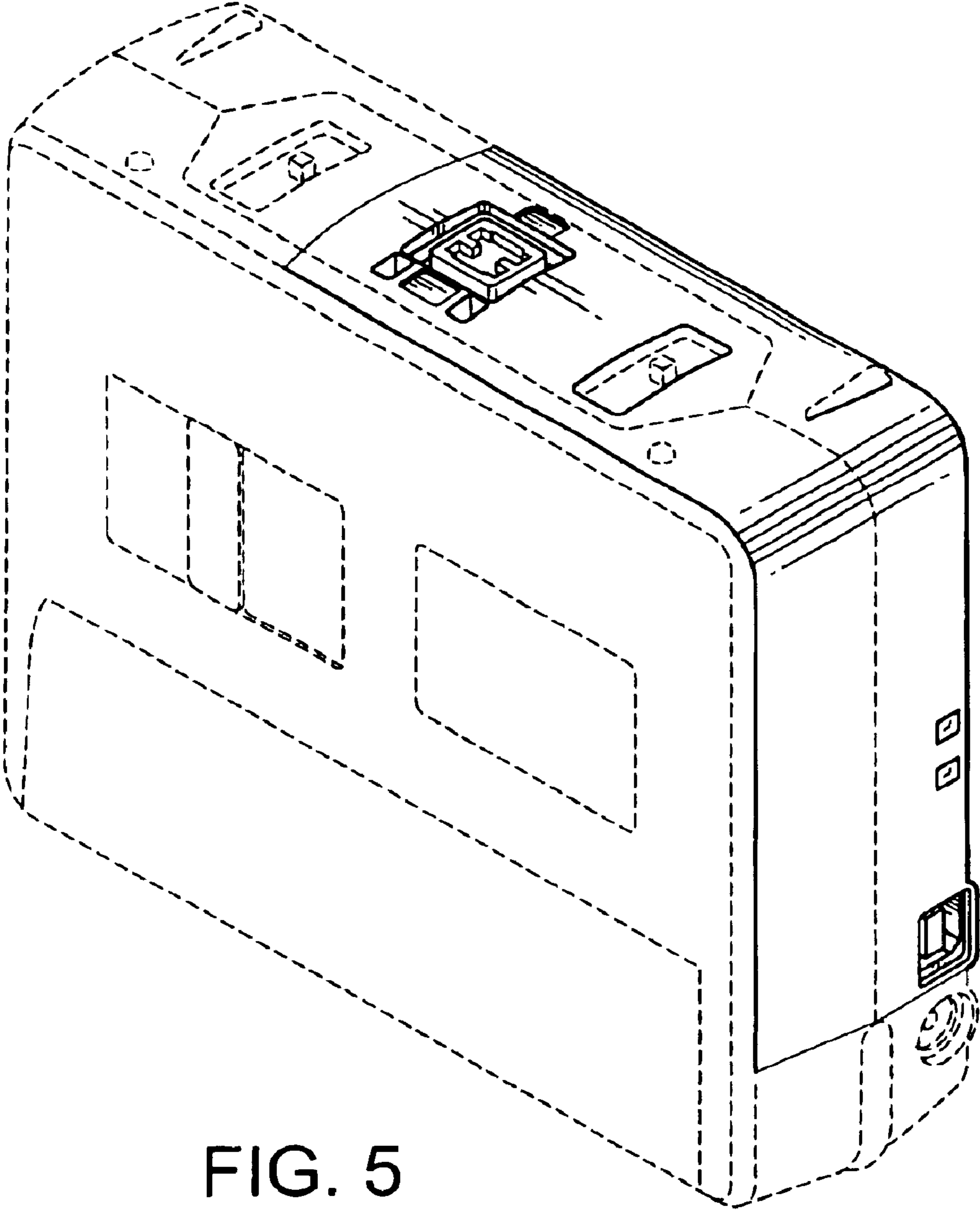


FIG. 5