

US00D503421S

(12) **United States Design Patent**  
**McElderry**

(10) **Patent No.:** **US D503,421 S**  
(45) **Date of Patent:** **\*\* Mar. 29, 2005**

(54) **VIDEO CAMERA HANDLE ATTACHMENT**

(76) **Inventor:** **Daniel J. McElderry**, 1436 Bruce Ave.,  
Glendale, CA (US) 91202

(\*\*) **Term:** **14 Years**

(21) **Appl. No.:** **29/186,503**

(22) **Filed:** **Jul. 16, 2003**

(51) **LOC (7) Cl. .... 16-05**

(52) **U.S. Cl. .... D16/243; D16/242**

(58) **Field of Search .... D16/237, 242,**  
**D16/243; 224/908; 248/178.1, 187.1; 348/373;**  
**396/419, 428**

(56) **References Cited**

**U.S. PATENT DOCUMENTS**

3,575,098 A	4/1971	Jones	
D246,372 S	* 11/1977	Yoshino	D16/243
D302,697 S	* 8/1989	Parrish	D16/242
D323,181 S	* 1/1992	Puskas et al.	D16/243
5,121,147 A	6/1992	Wada et al.	
5,246,193 A	9/1993	Faidley	
D351,851 S	10/1994	Justice	
D367,284 S	* 2/1996	Hoerter	D16/242
5,721,997 A	2/1998	Powell	
D399,863 S	10/1998	Lacicero	

6,042,277 A	*	3/2000	Errington	396/419
6,354,544 B1		3/2002	Muzila	
2001/0012455 A1		8/2001	Mulcahey et al.	
2002/0168189 A1		11/2002	Mulcahey	

**FOREIGN PATENT DOCUMENTS**

JP 1316732 12/1989

\* cited by examiner

*Primary Examiner*—Adir Aronovich

(74) *Attorney, Agent, or Firm*—Christie, Parker & Hale, LLP

(57) **CLAIM**

The ornamental design for a video camera handle attachment, as shown and described.

**DESCRIPTION**

FIG. 1 is a perspective view of a video camera handle attachment showing my new design; FIG. 2 is a top plan view of the design; FIG. 3 is a left side elevational view of the design, the undisclosed right side being a mirror image thereof; FIG. 4 is a bottom plan view of the design; FIG. 5 is a rear elevational view of the design; and, FIG. 6 is a front elevational view of the design.

**1 Claim, 5 Drawing Sheets**

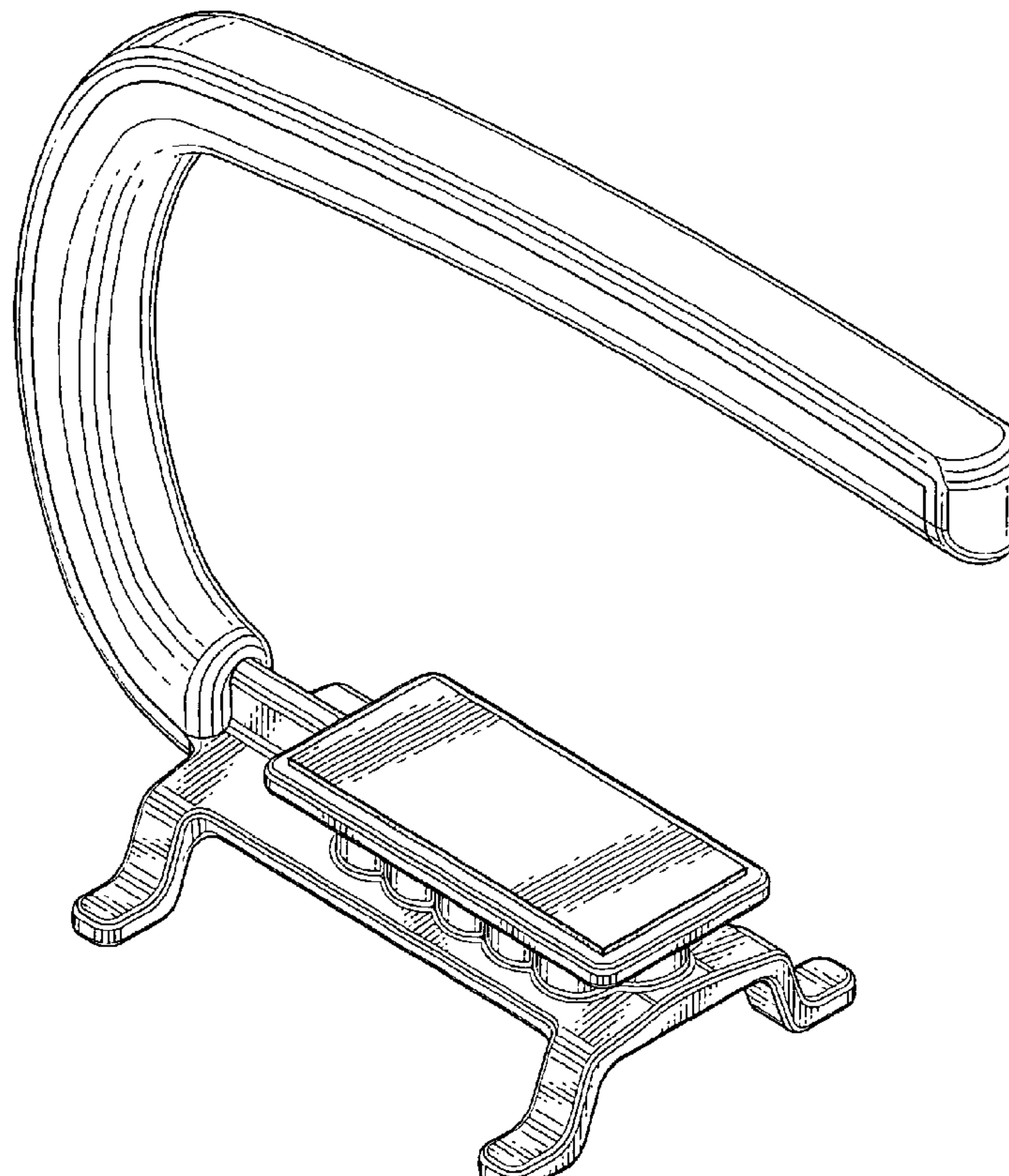


FIG. 1

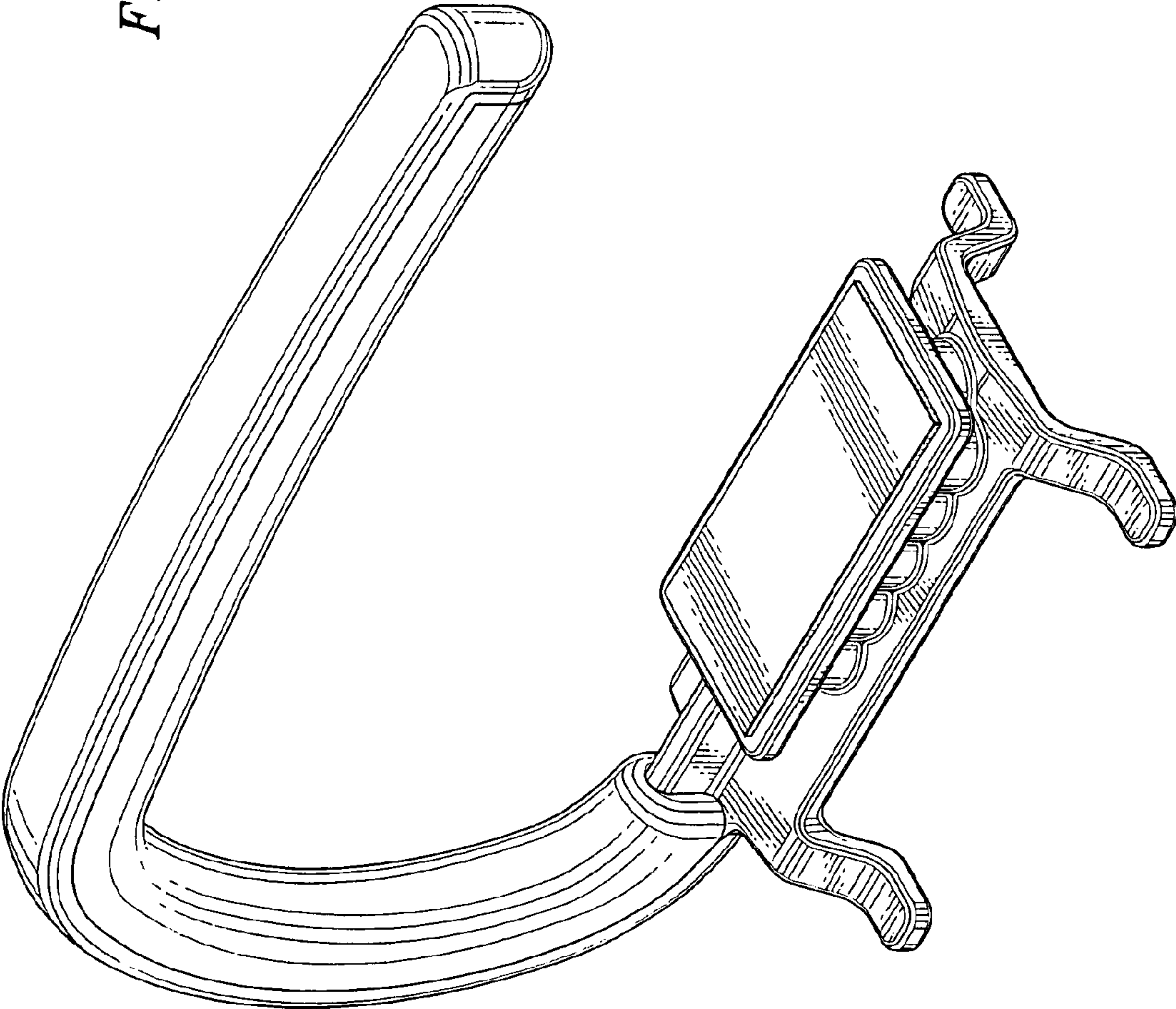
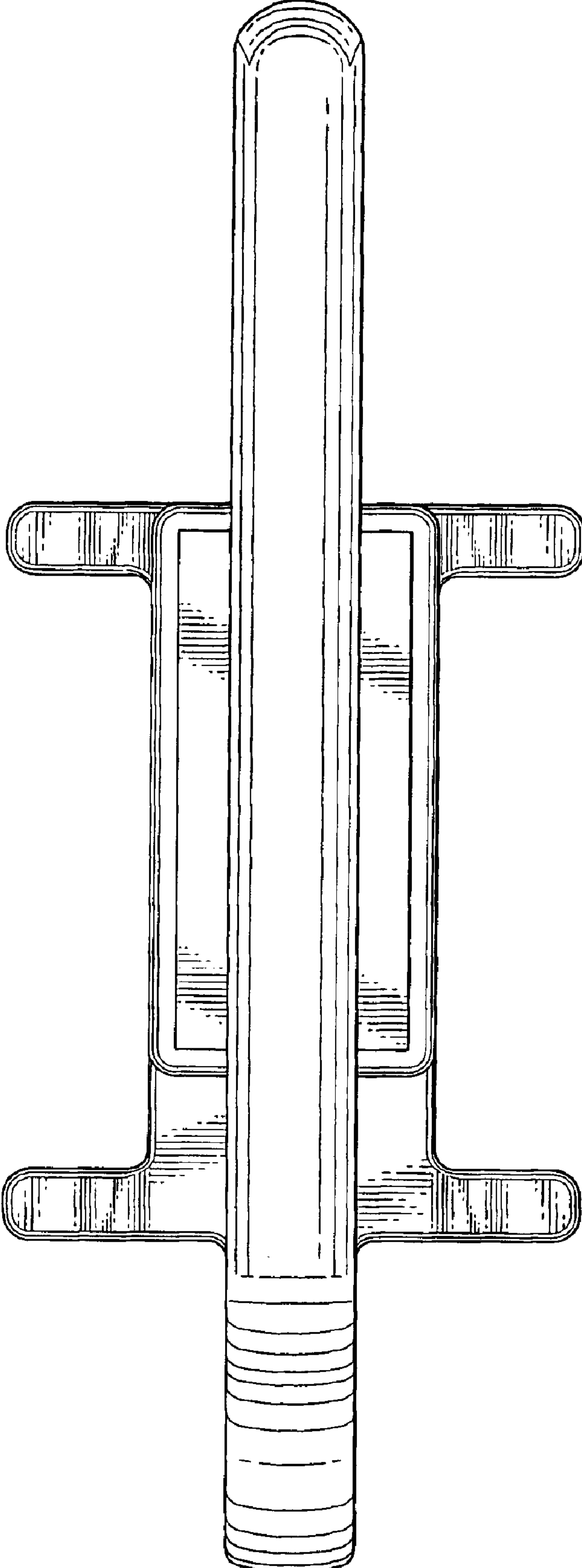


FIG. 2



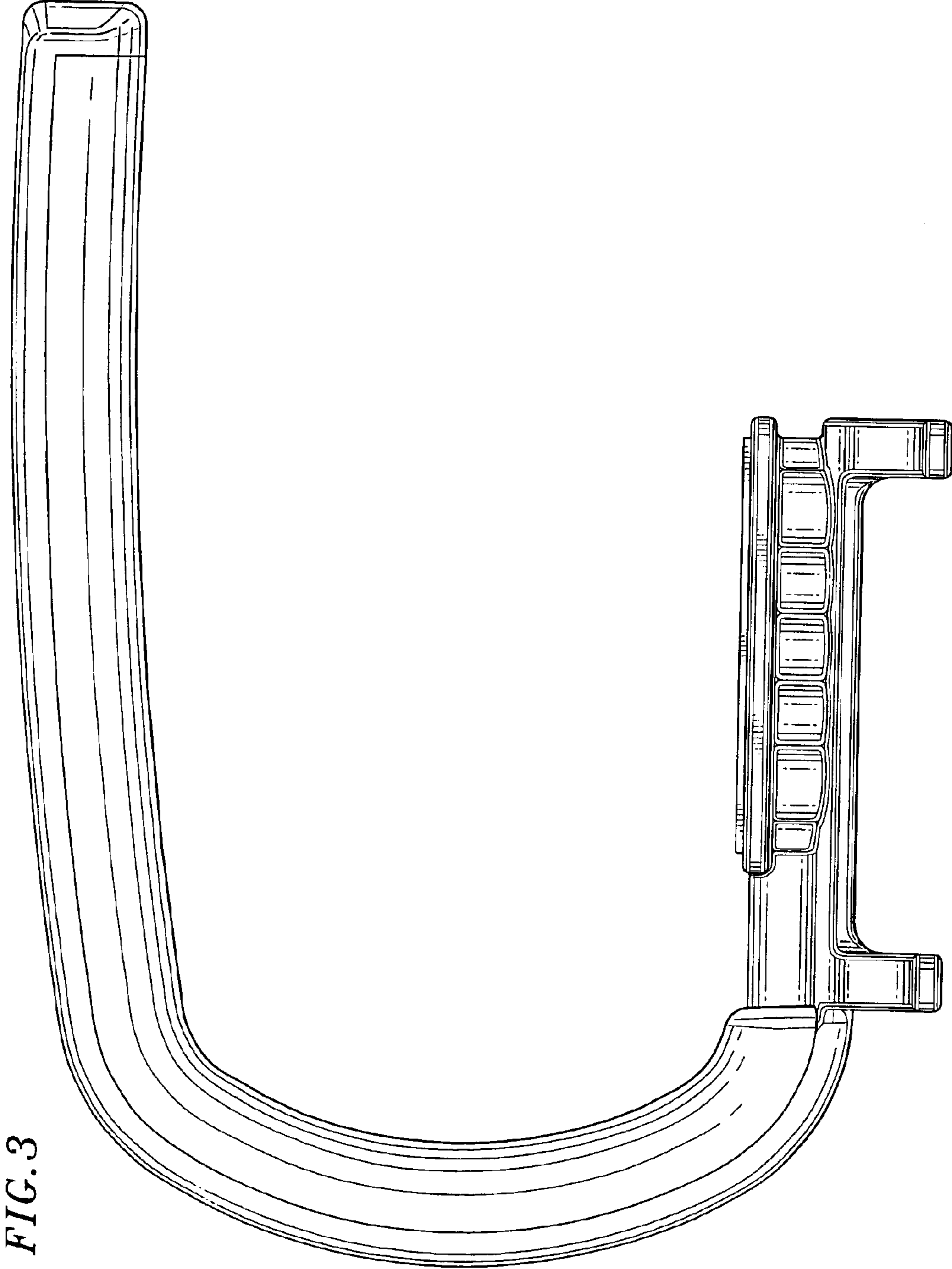
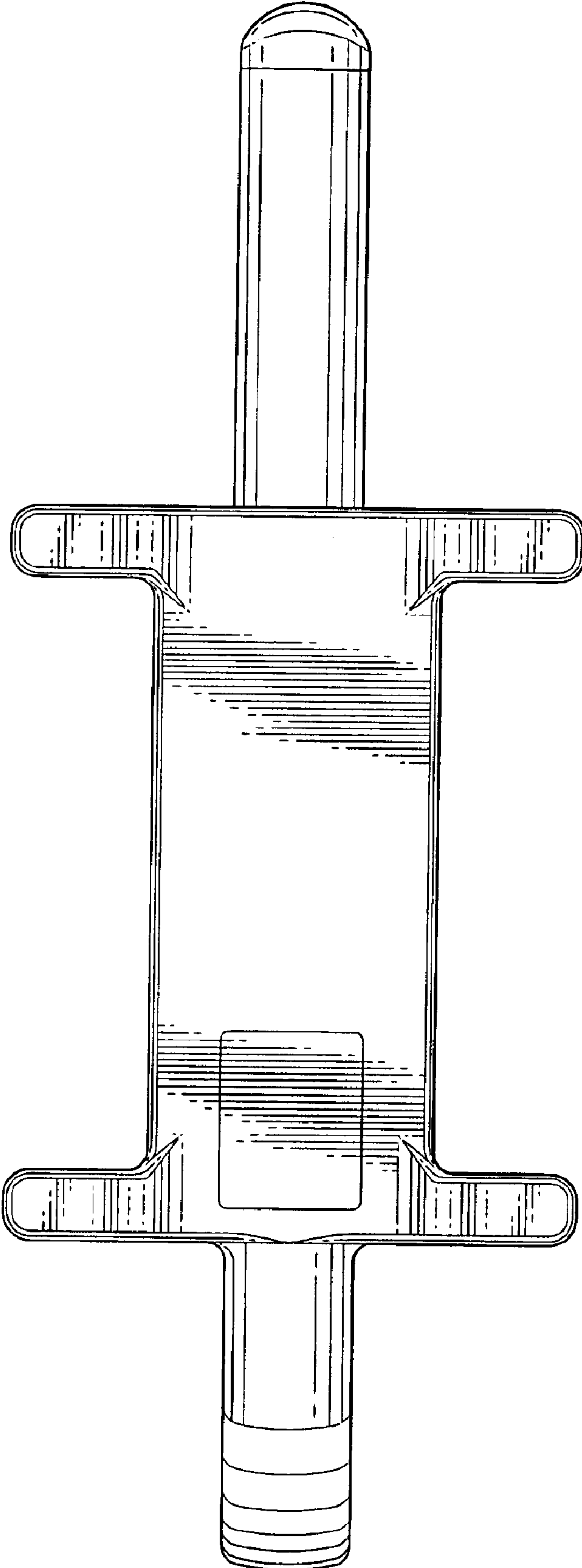


FIG. 3

FIG. 4





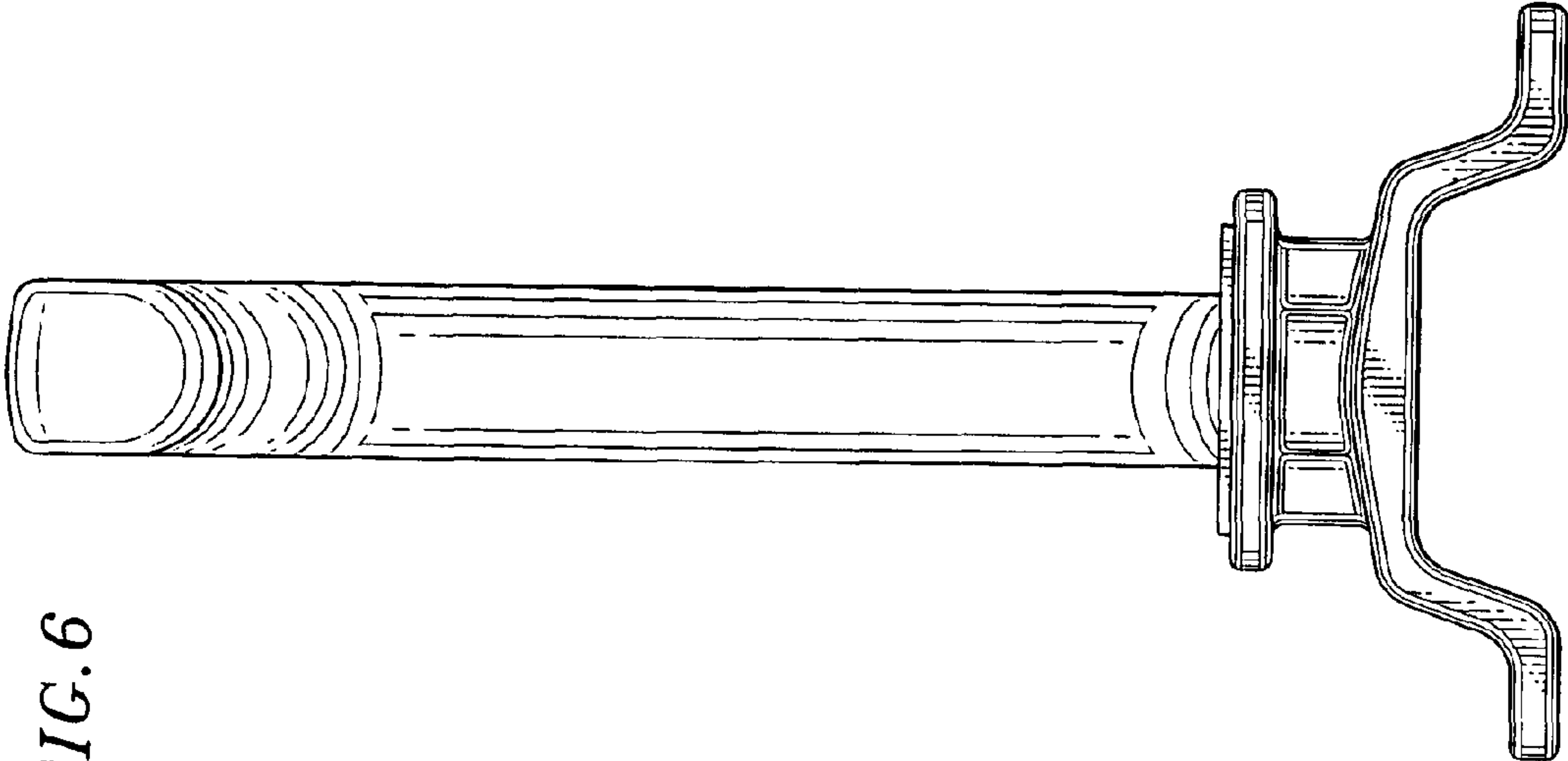


FIG. 6

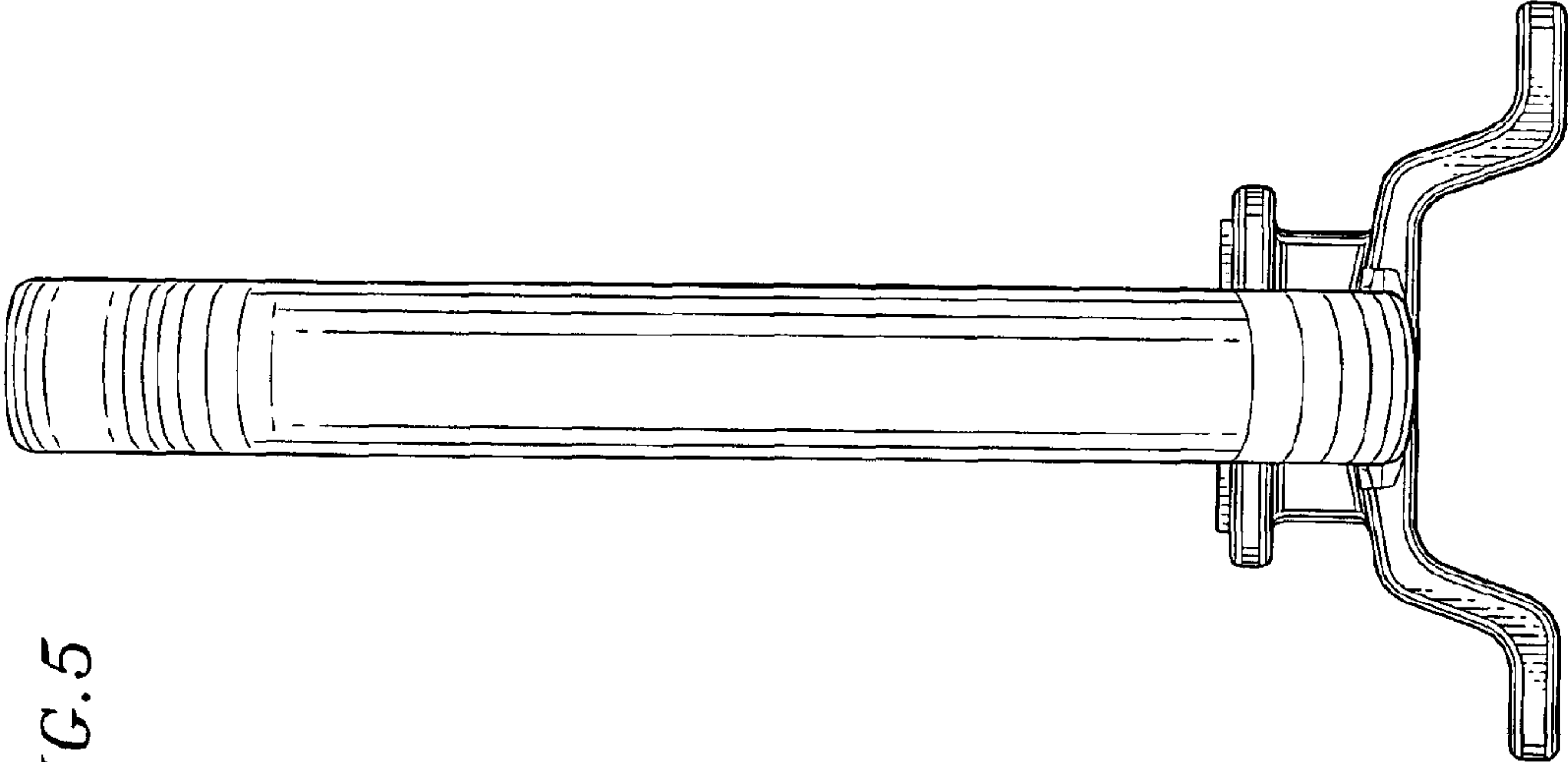


FIG. 5