

US00D503420S

(12) **United States Design Patent**  
**Salvatori et al.**

(10) **Patent No.:** **US D503,420 S**  
(45) **Date of Patent:** **\*\* Mar. 29, 2005**

(54) **IMAGE-RENDERING UNIT FOR A  
PROJECTION DEVICE**

D400,904 S \* 11/1998 Calello ..... D16/227  
D453,158 S \* 1/2002 Chen ..... D16/235  
D488,826 S \* 4/2004 Zernov ..... D16/204

(75) Inventors: **Phillip H. Salvatori**, Salem, OR (US);  
**Danny Han**, Tigard, OR (US)

\* cited by examiner

*Primary Examiner*—Adir Aronovich

(73) Assignee: **InFocus Corporation**, Wilsonville, OR  
(US)

(57) **CLAIM**

(\*\*) Term: **14 Years**

The ornamental design for an image-rendering unit for a projection device, as shown and described.

(21) Appl. No.: **29/182,940**

**DESCRIPTION**

(22) Filed: **Jun. 2, 2003**

FIG. 1 is a front, perspective view of an image-rendering unit for a projection device according to the present invention.

(51) **LOC (7) Cl.** ..... **16-02**

(52) **U.S. Cl.** ..... **D16/235**

(58) **Field of Search** ..... D16/204, 208,  
D16/221, 225, 229, 230, 231, 234; D21/514;  
40/361-367; 353/115, 119, 122

FIG. 2 is a bottom view thereof.

FIG. 3 is a top view thereof.

FIG. 4 is a front view thereof.

FIG. 5 is a rear view thereof.

FIG. 6 is a left side view thereof; and,

FIG. 7 is a right side view thereof.

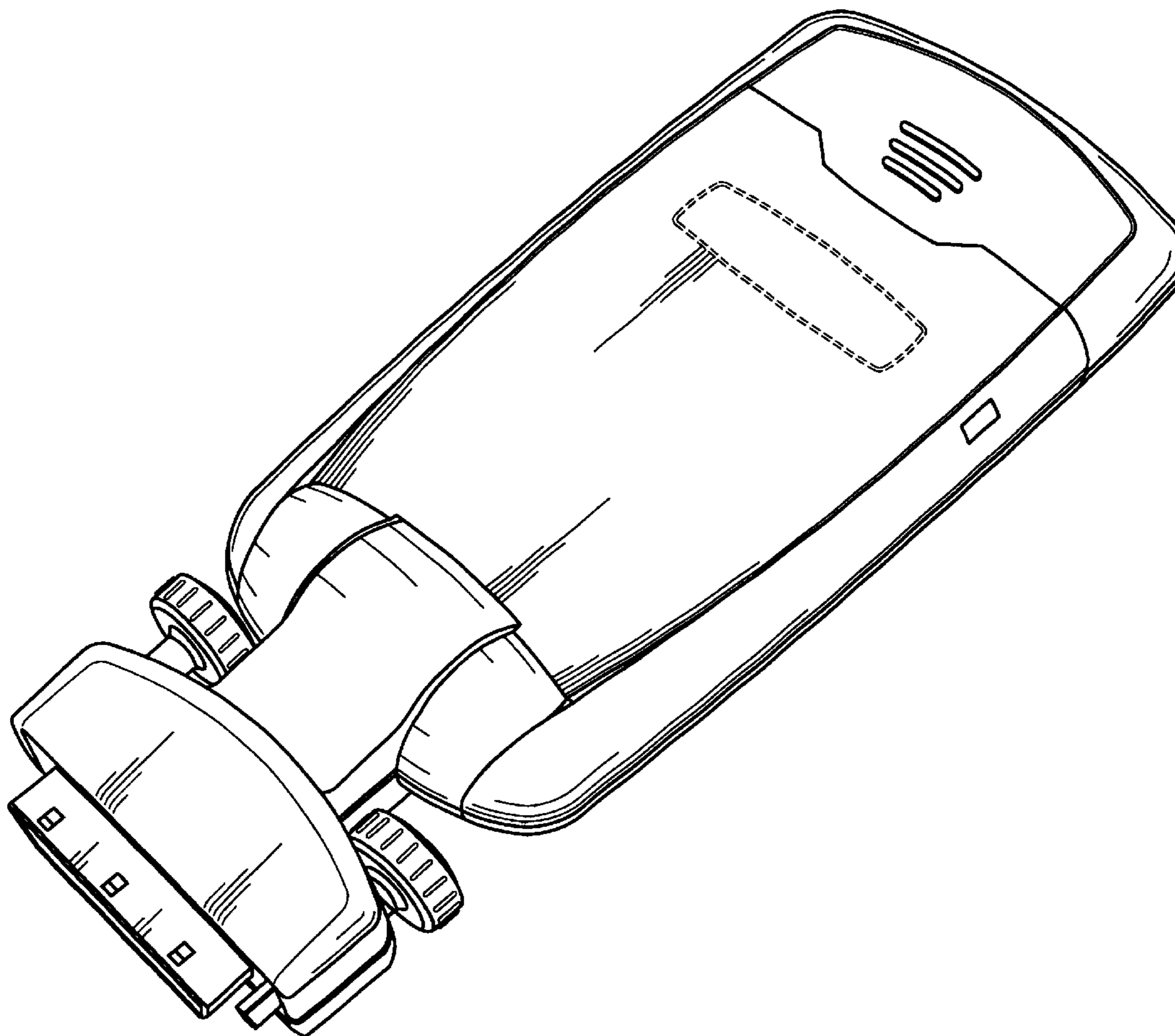
The broken line(s) shown in the drawings are for illustrative purposes only and form no part of the claimed design.

(56) **References Cited**

**U.S. PATENT DOCUMENTS**

3,894,797 A \* 7/1975 Barowski et al. .... 353/119  
D245,701 S \* 9/1977 Kinsinger ..... D16/221  
D253,058 S \* 10/1979 Antos ..... D16/229

**1 Claim, 5 Drawing Sheets**



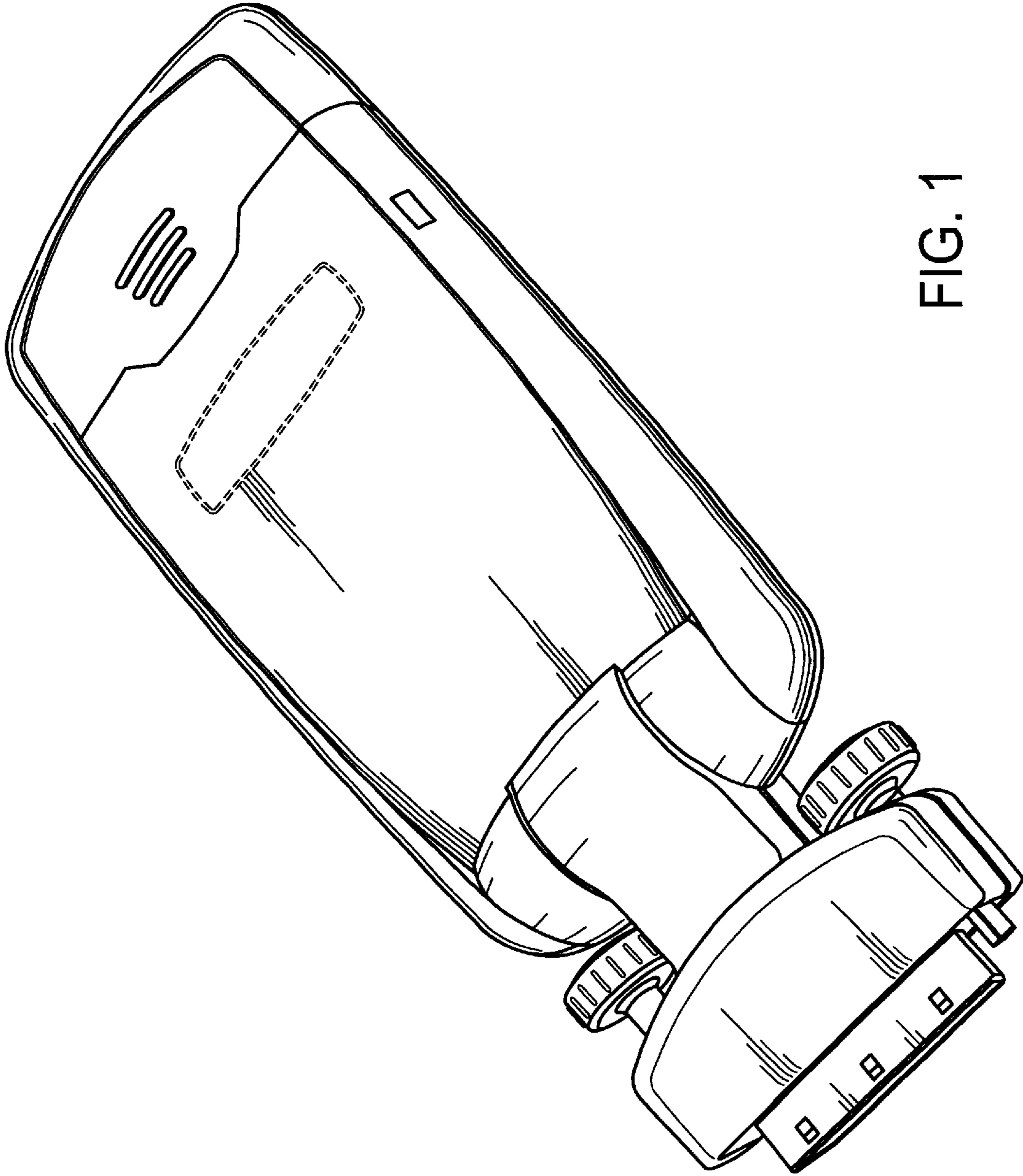


FIG. 1

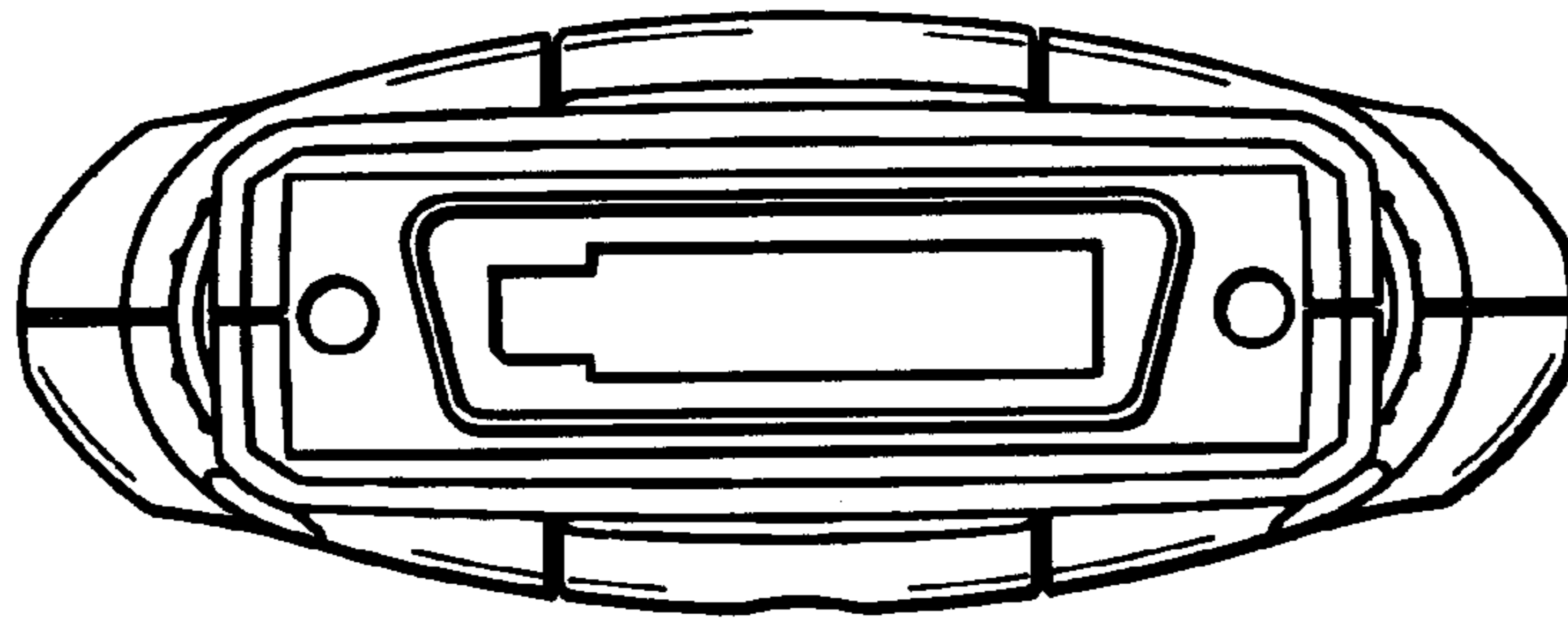


FIG. 2

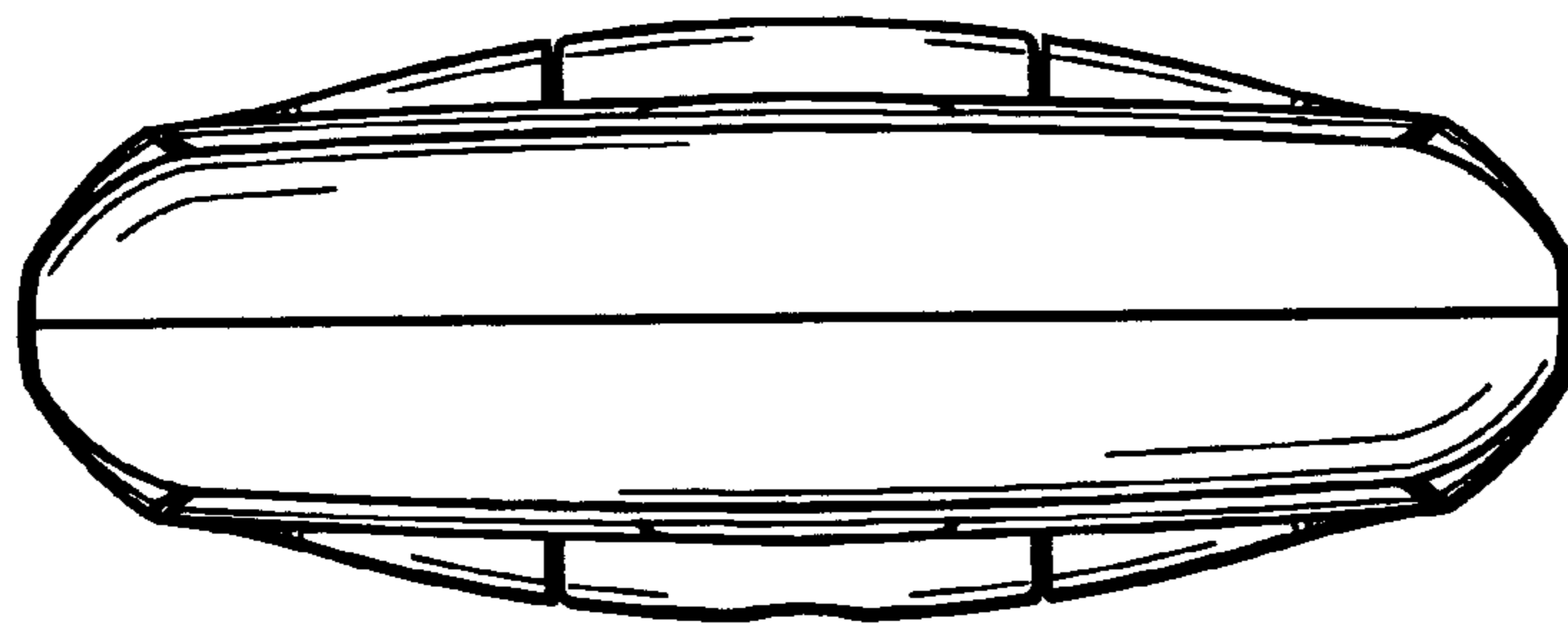


FIG. 3

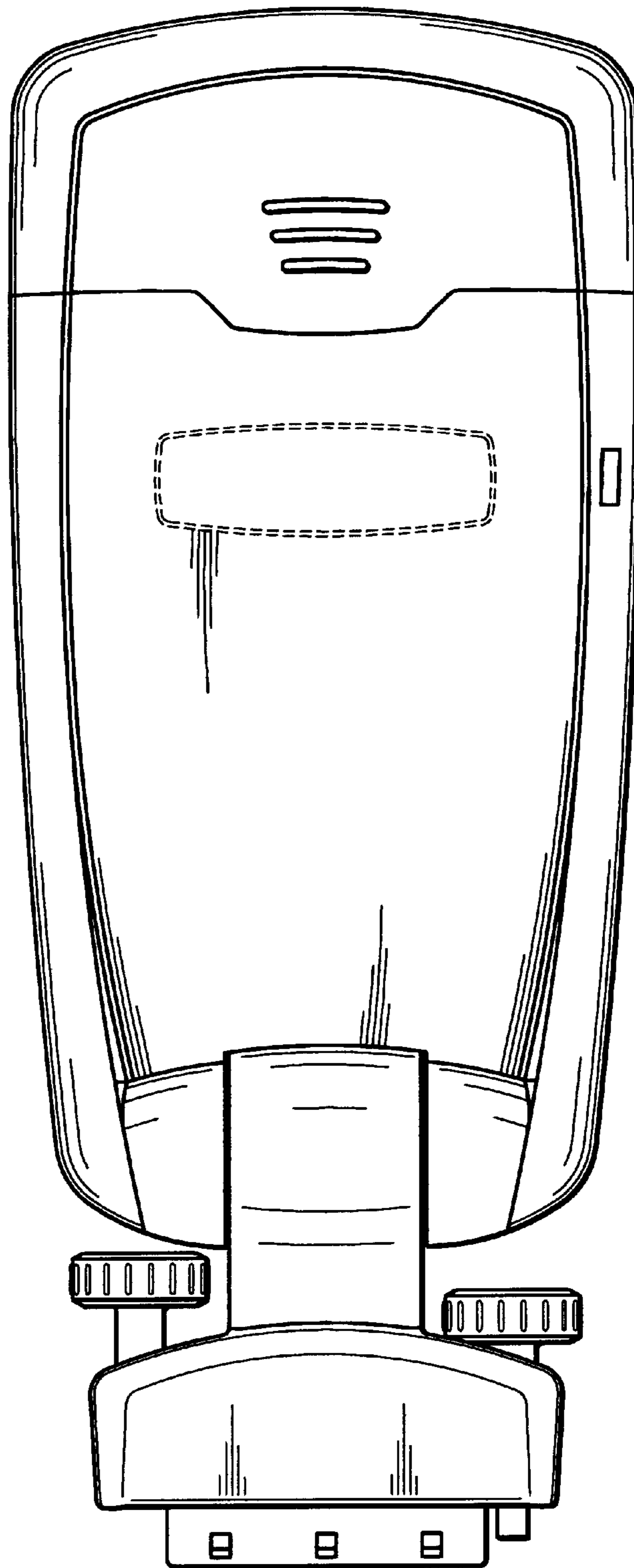


FIG. 4

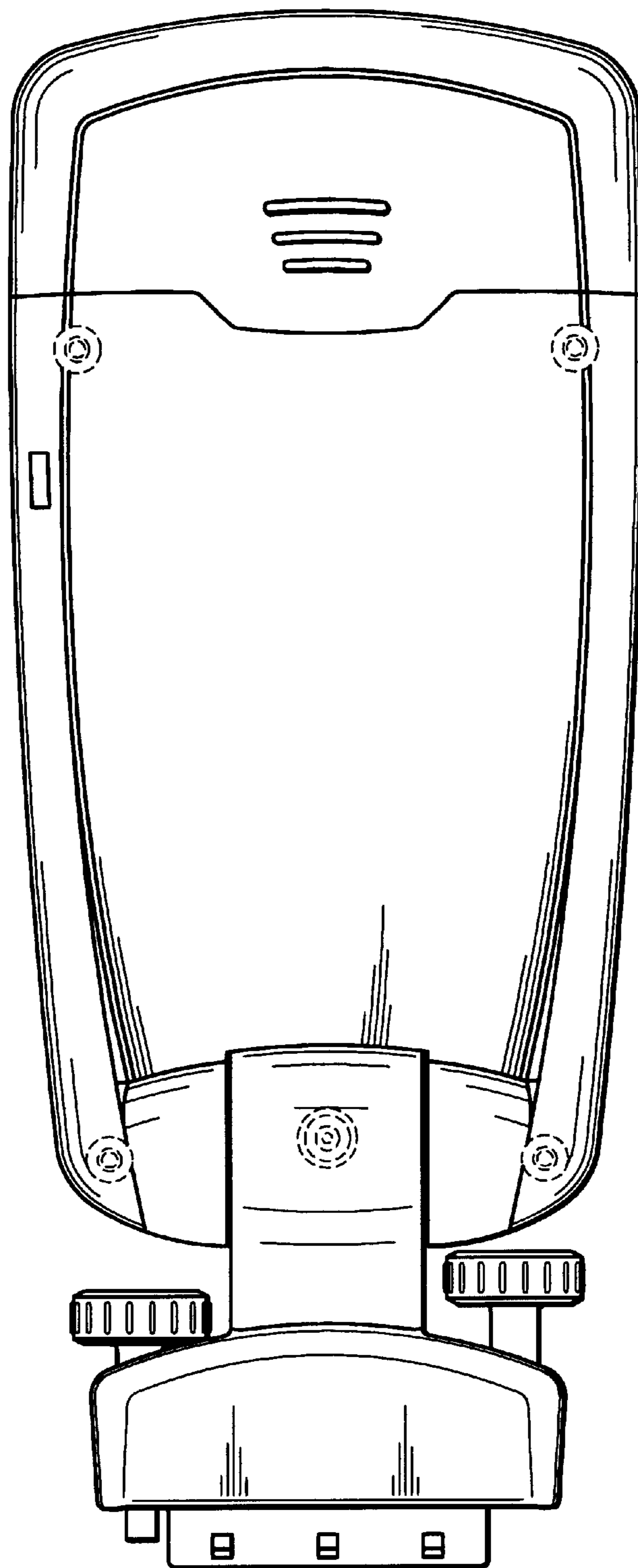


FIG. 5

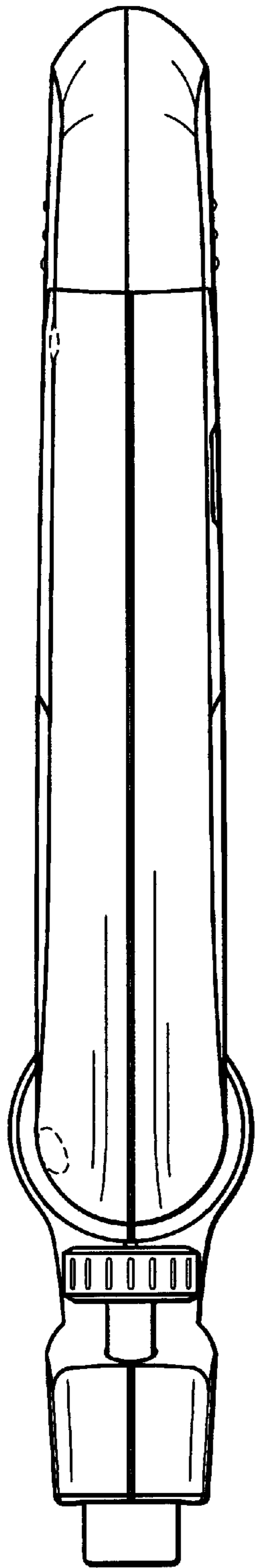


FIG. 6

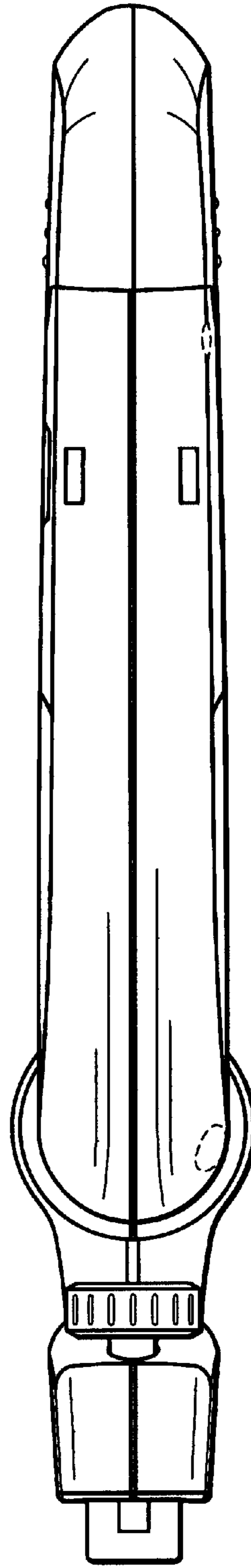


FIG. 7