

US00D503417S

(12) **United States Design Patent**
Kawase

(10) **Patent No.:** **US D503,417 S**
(45) **Date of Patent:** **** Mar. 29, 2005**

(54) **CAMERA**

(75) **Inventor:** **Atsushi Kawase**, Tokyo (JP)

(73) **Assignee:** **Sony Corporation**, Tokyo (JP)

(**) **Term:** **14 Years**

(21) **Appl. No.:** **29/203,435**

(22) **Filed:** **Apr. 15, 2004**

(51) **LOC (7) Cl.** **16-01**

(52) **U.S. Cl.** **D16/202; D16/200**

(58) **Field of Search** **D16/200–205,**
D16/208, 218; 348/373–376; 358/906, 909.1;
396/535–541

(56) **References Cited**

U.S. PATENT DOCUMENTS

5,555,052 A	*	9/1996	Pearson	396/538
D447,759 S	*	9/2001	Jin	D16/209
D450,073 S		11/2001	Sumita		
D450,737 S		11/2001	Suzuki		
D456,431 S	*	4/2002	Kim	D16/202
D482,054 S	*	11/2003	Nasu	D16/202
D490,833 S	*	6/2004	Sakaguchi et al.	D16/202

D494,612 S * 8/2004 Yang et al. D16/202

OTHER PUBLICATIONS

Web page “Silvi Fi” http://www.fujifilm.co.jp/silvi/fm_p09.html, 1 sheet, Fuji Film (Feb. 2004).

* cited by examiner

Primary Examiner—Adir Aronovich

(74) *Attorney, Agent, or Firm*—Rader, Fishman & Grauer PLLC

(57) **CLAIM**

The ornamental design for a camera, as shown.

DESCRIPTION

FIG. 1 is a perspective view of a camera showing my new design;

FIG. 2 is a front elevational view thereof;

FIG. 3 is a rear elevational view thereof;

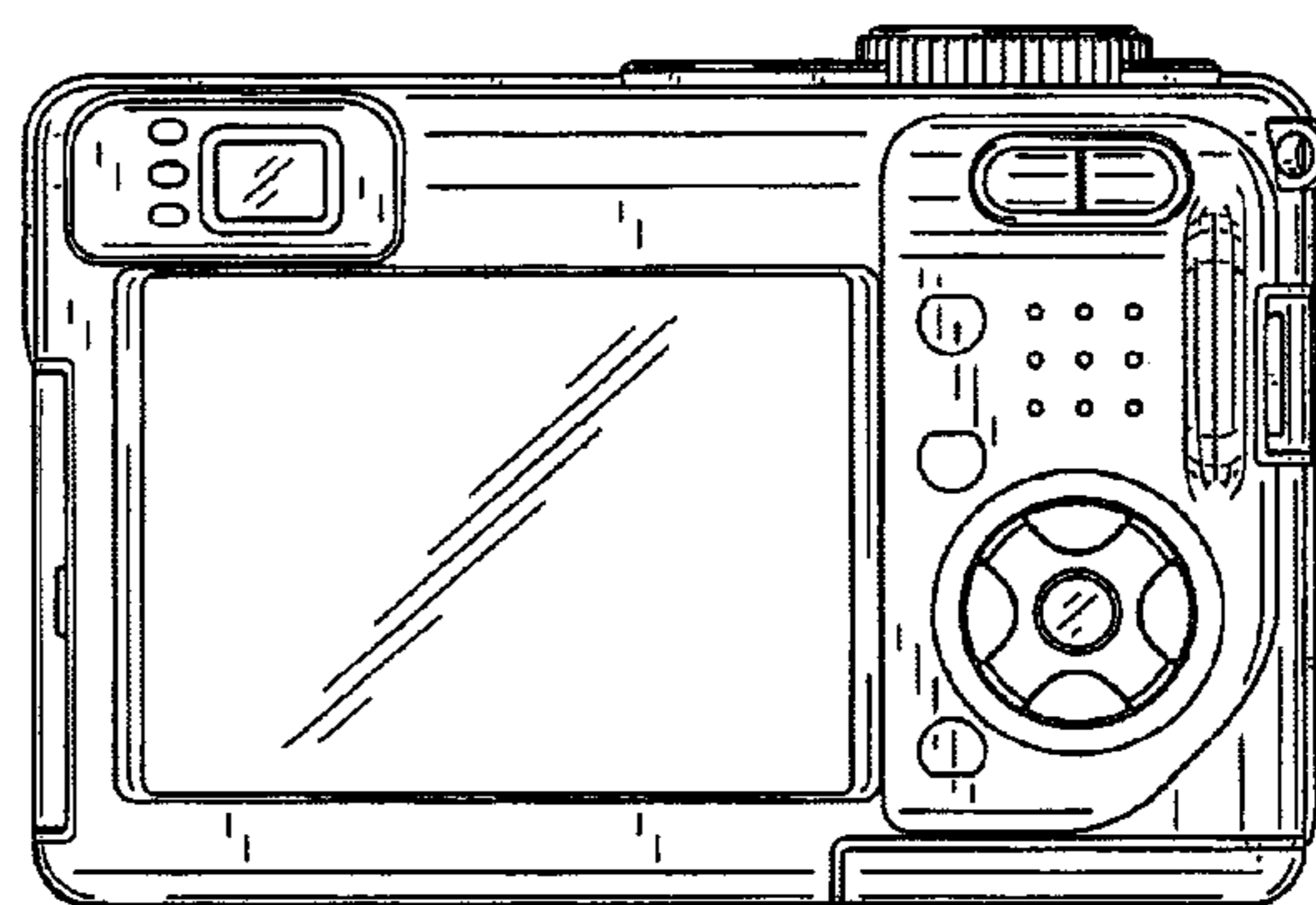
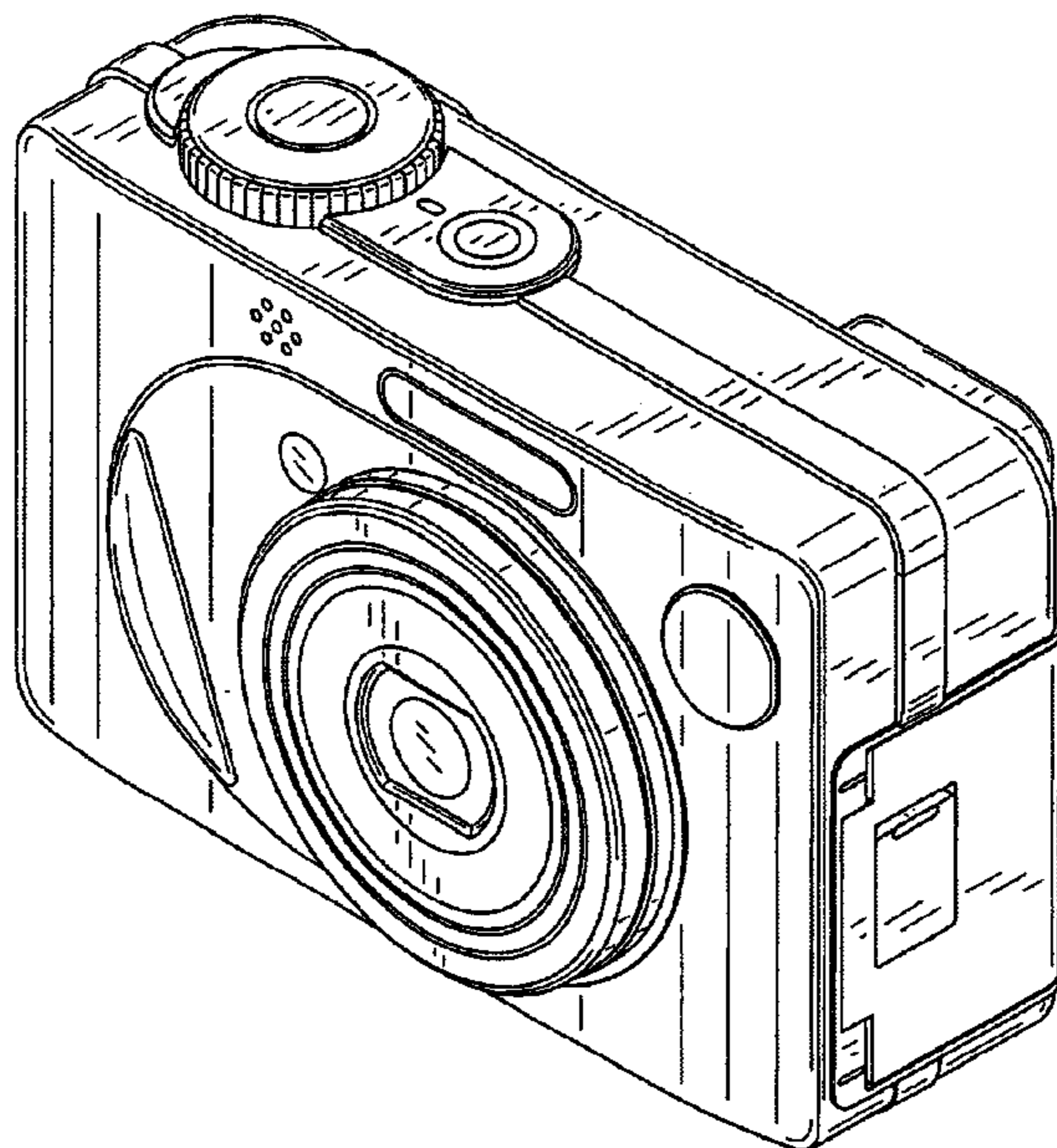
FIG. 4 is a left side elevational view thereof;

FIG. 5 is a right side elevational view thereof;

FIG. 6 is a top plan view thereof; and,

FIG. 7 is a bottom plan view thereof.

1 Claim, 4 Drawing Sheets



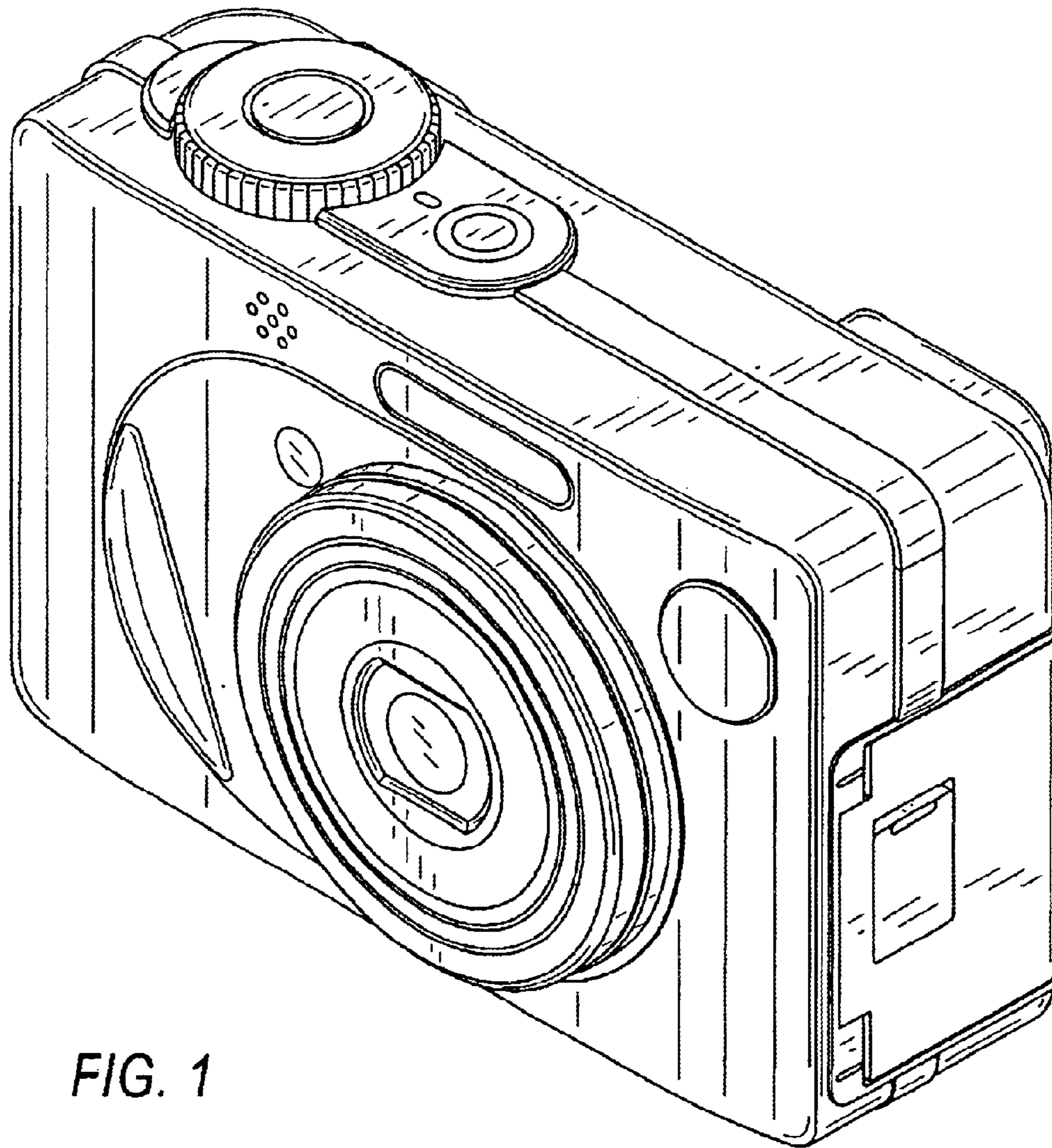


FIG. 1

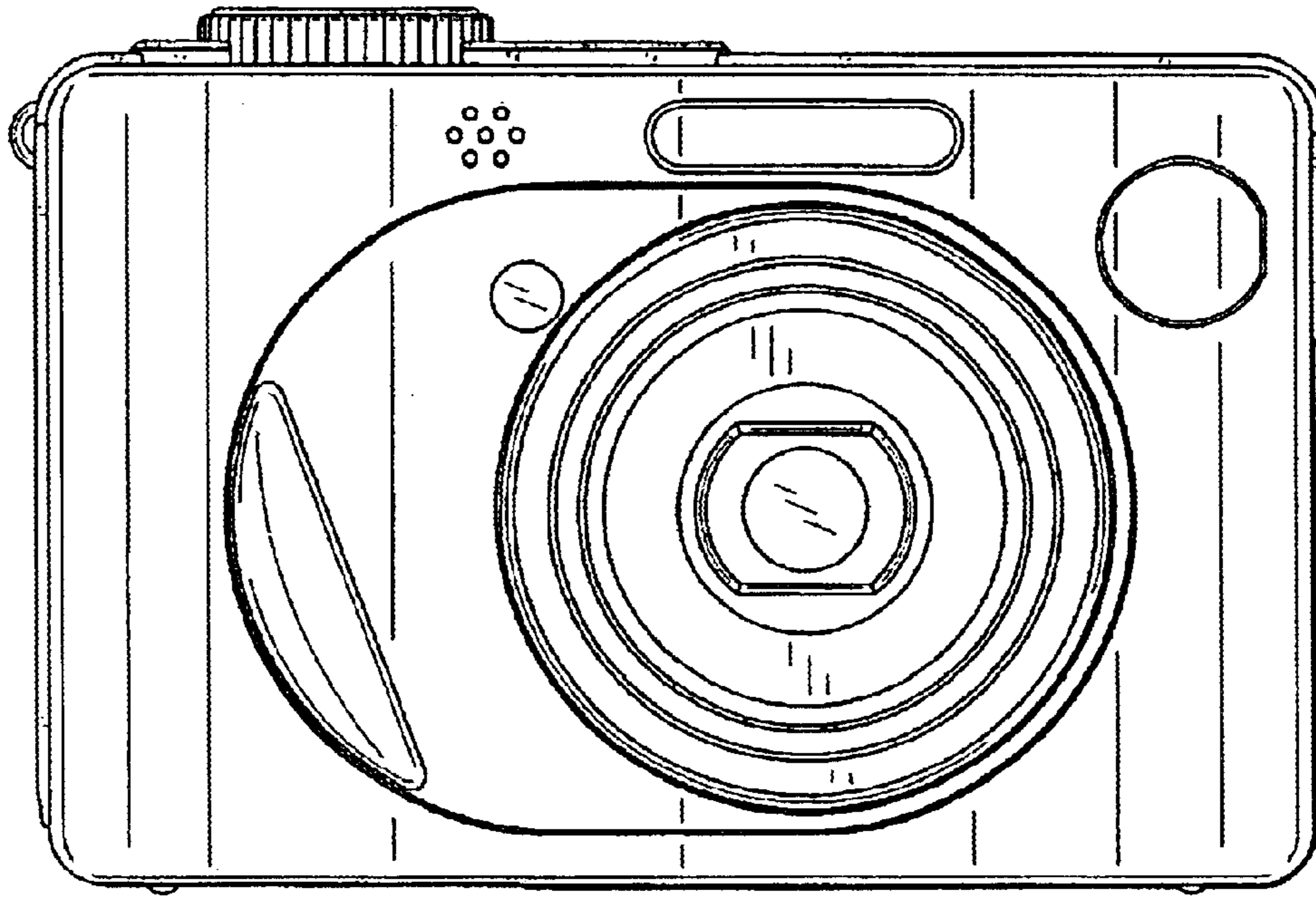


FIG. 2

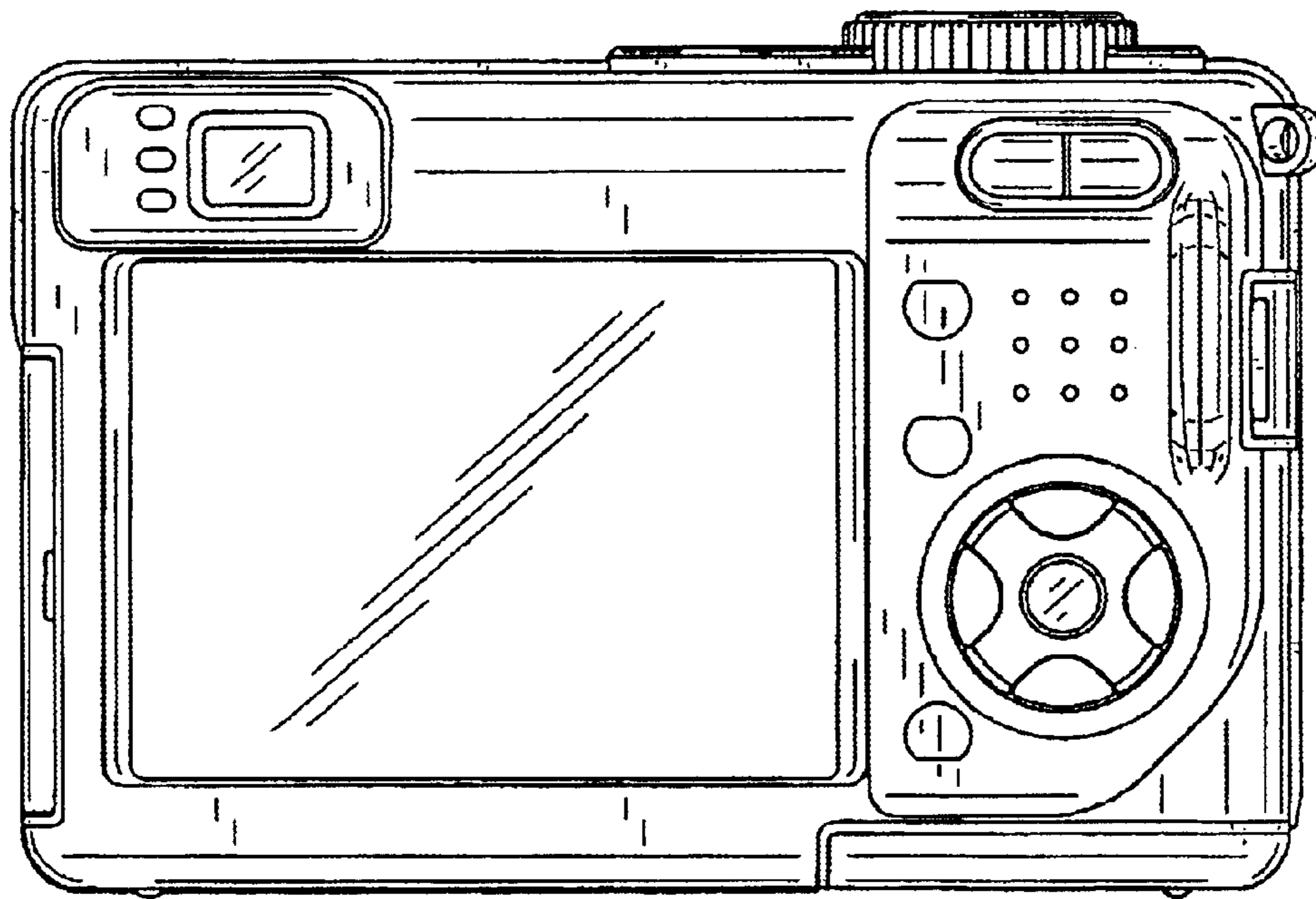


FIG. 3

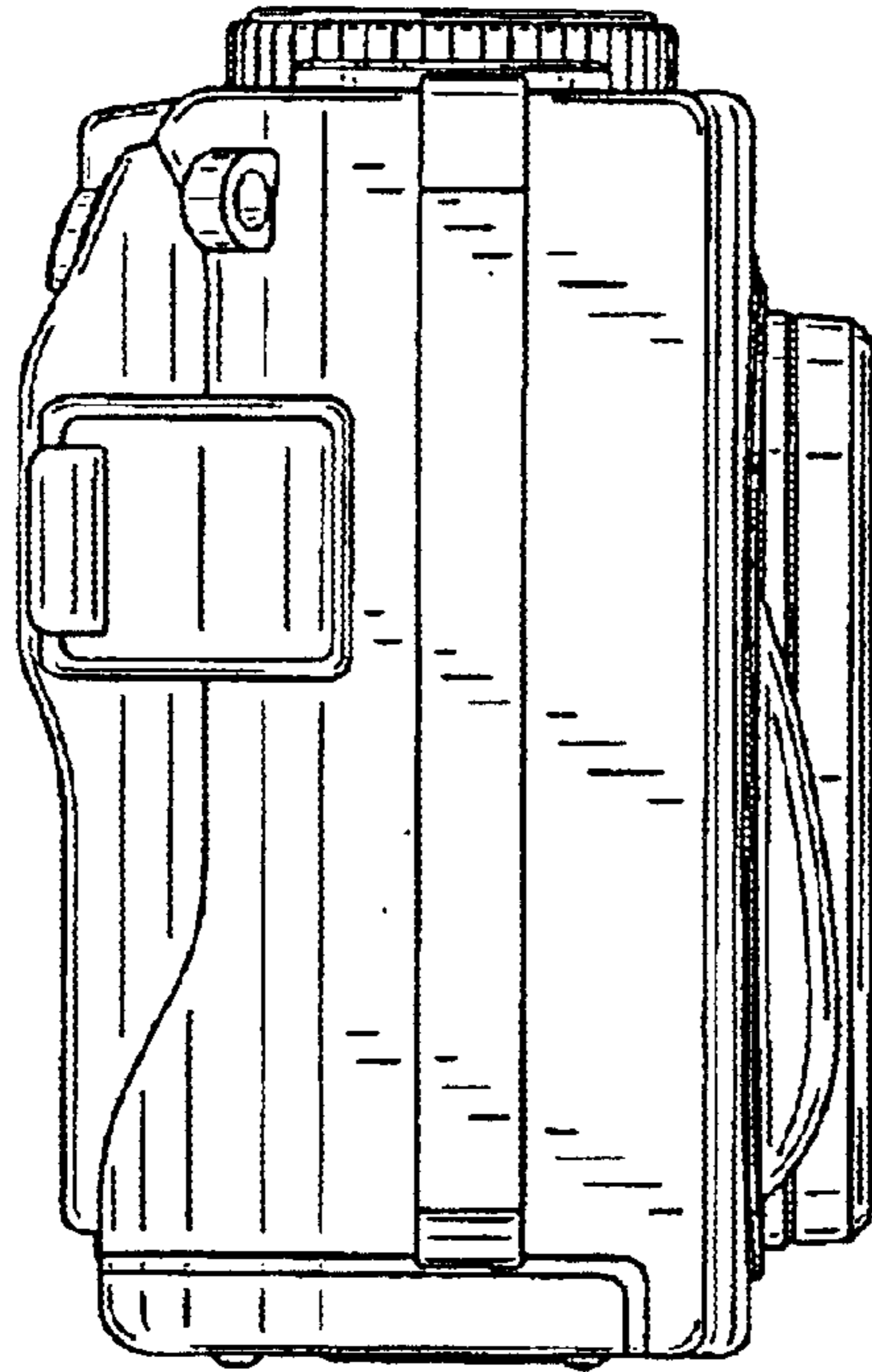


FIG. 4

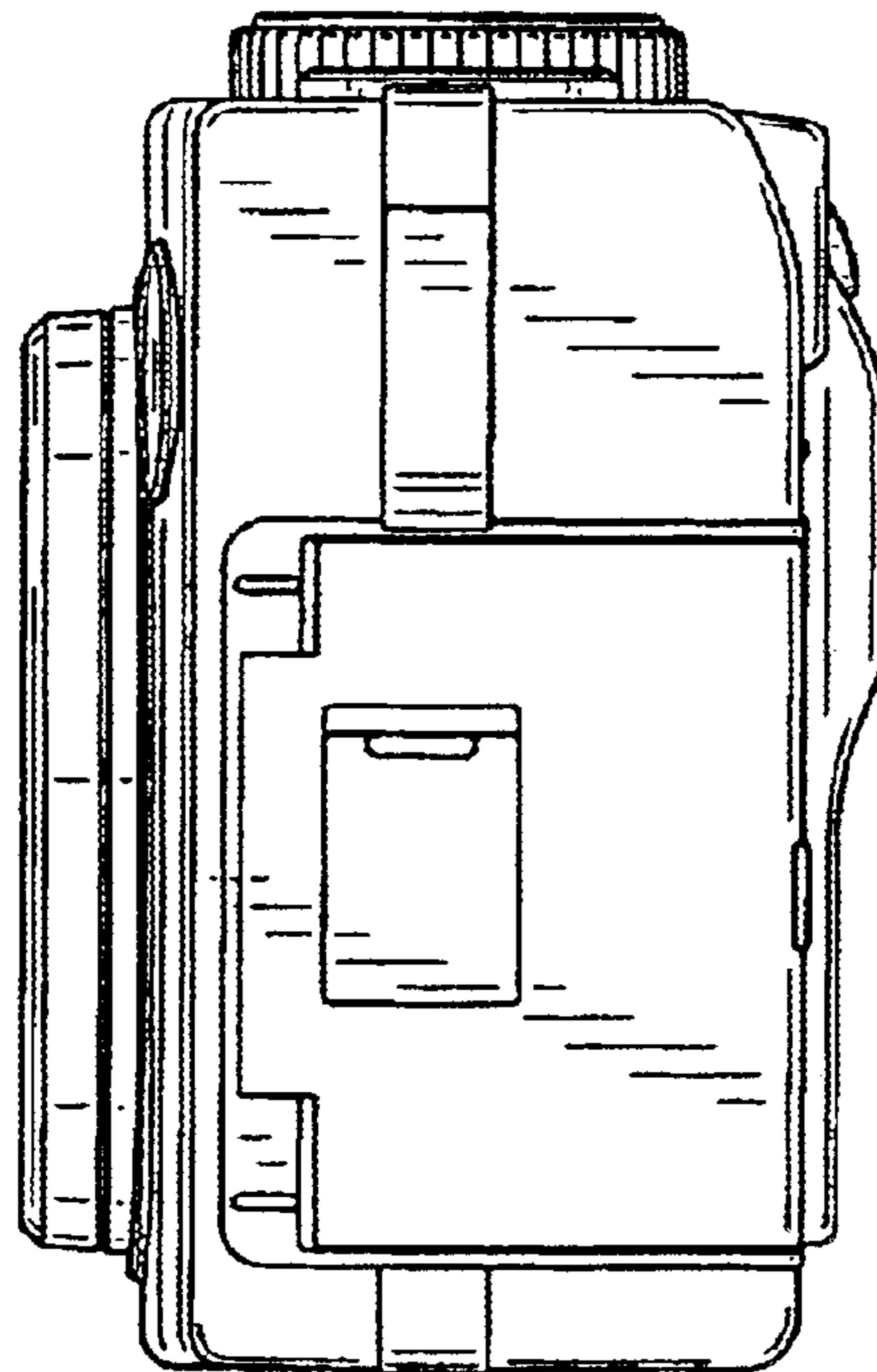


FIG. 5

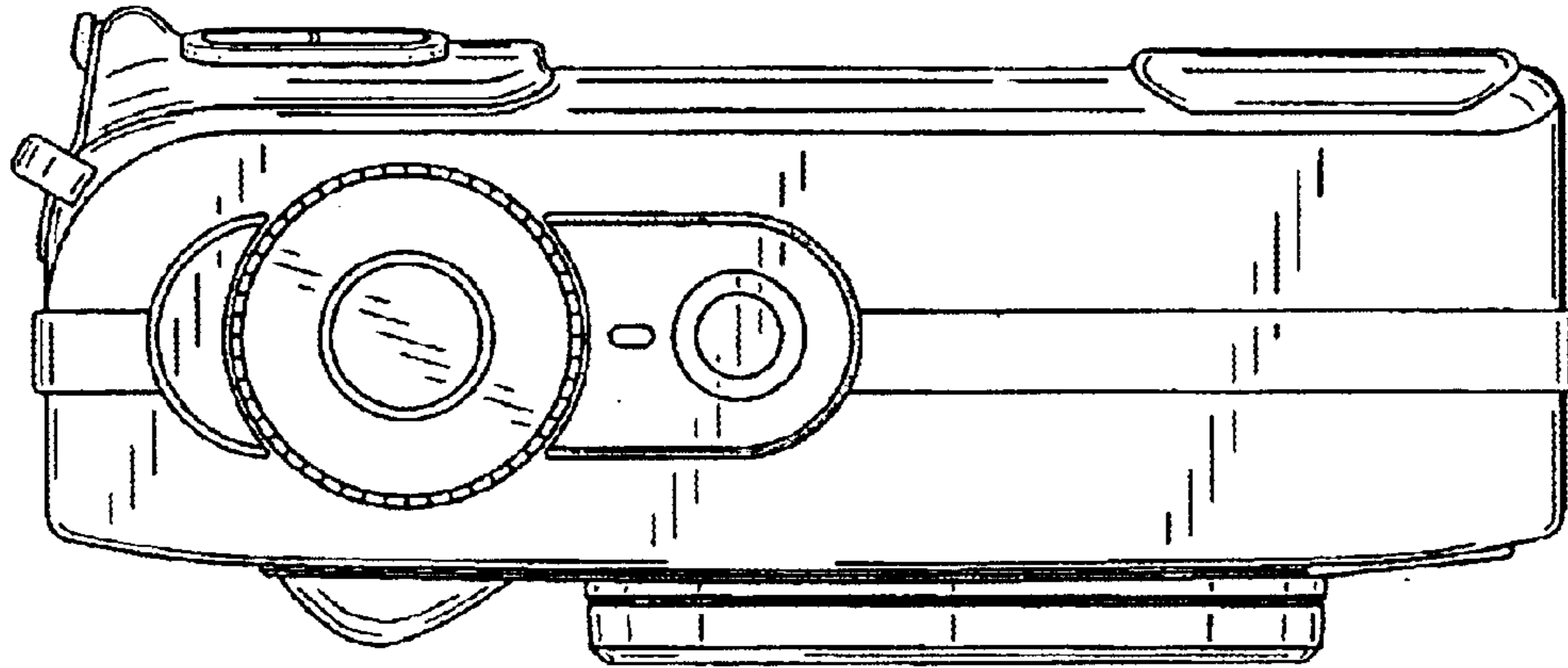


FIG. 6

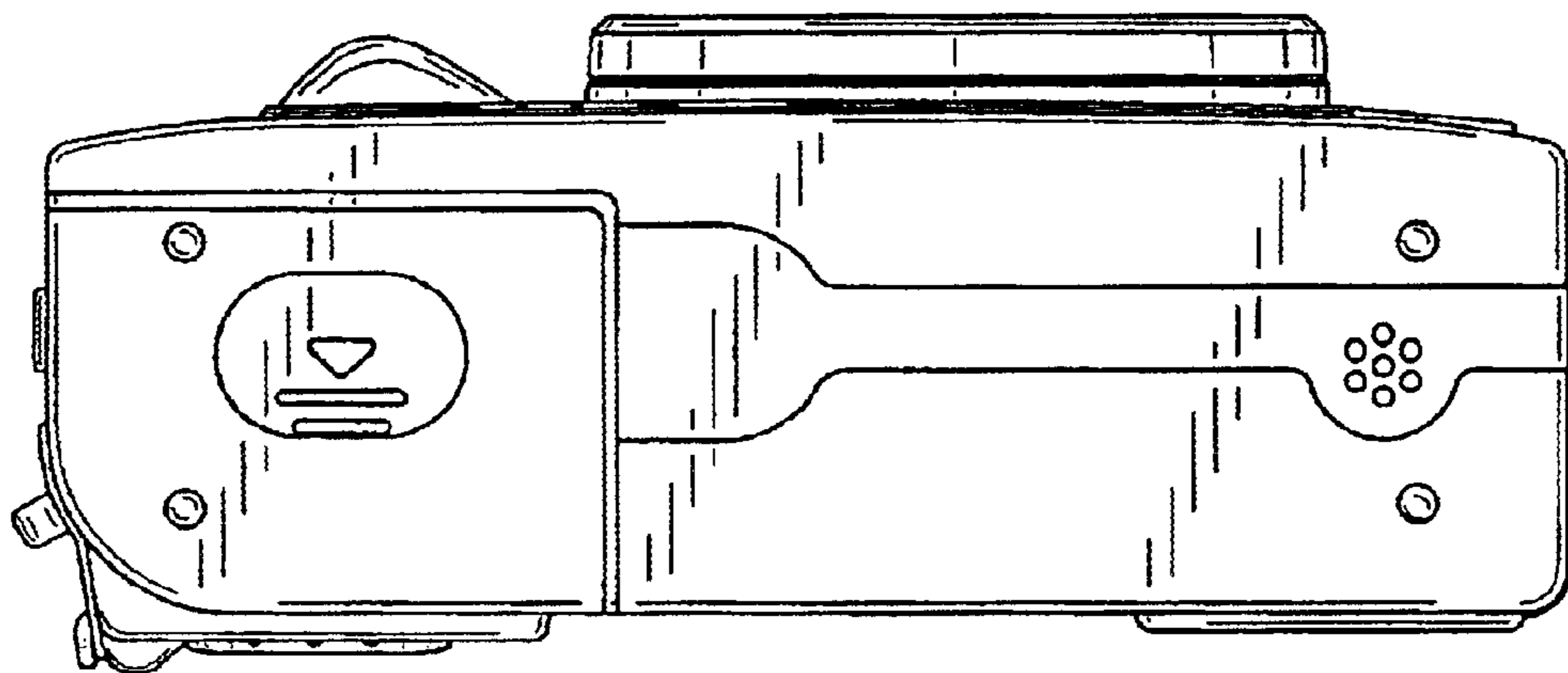


FIG. 7