

US00D503415S

(12) **United States Design Patent**
Dembicks et al.

(10) **Patent No.:** **US D503,415 S**
(45) **Date of Patent:** **** Mar. 29, 2005**

(54) **POCKET HOLE JIG**

(75) Inventors: **Andrew Dembicks**, Raleigh, NC (US);
James Hermann, Raleigh, NC (US)

(73) Assignee: **Andrews Toolworks, Inc.**, Raleigh, NC (US)

(**) Term: **14 Years**

(21) Appl. No.: **29/165,758**

(22) Filed: **Aug. 15, 2002**

(51) **LOC (7) Cl.** **15-09**

(52) **U.S. Cl.** **D15/140; D8/70**

(58) **Field of Search** **D8/70, 71; D15/140; 408/97, 103, 115 R**

(56) **References Cited**

U.S. PATENT DOCUMENTS

4,394,800 A * 7/1983 Griset 33/443
4,490,920 A * 1/1985 Griset 33/443

4,752,162 A * 6/1988 Groh 408/115 R

* cited by examiner

Primary Examiner—Antoine D. Davis

(74) *Attorney, Agent, or Firm*—Akerman Senterfitt

(57) **CLAIM**

The ornamental design for a pocket hole jig, as shown.

DESCRIPTION

FIG. 1 is a top perspective view of the pocket hole jig according to the subject invention.

FIG. 2 is a bottom perspective view of the pocket hole jig in FIG. 1.

FIG. 3 is a top view of the pocket hole jig in FIG. 1.

FIG. 4 is a bottom view of the pocket hole jig in FIG. 1.

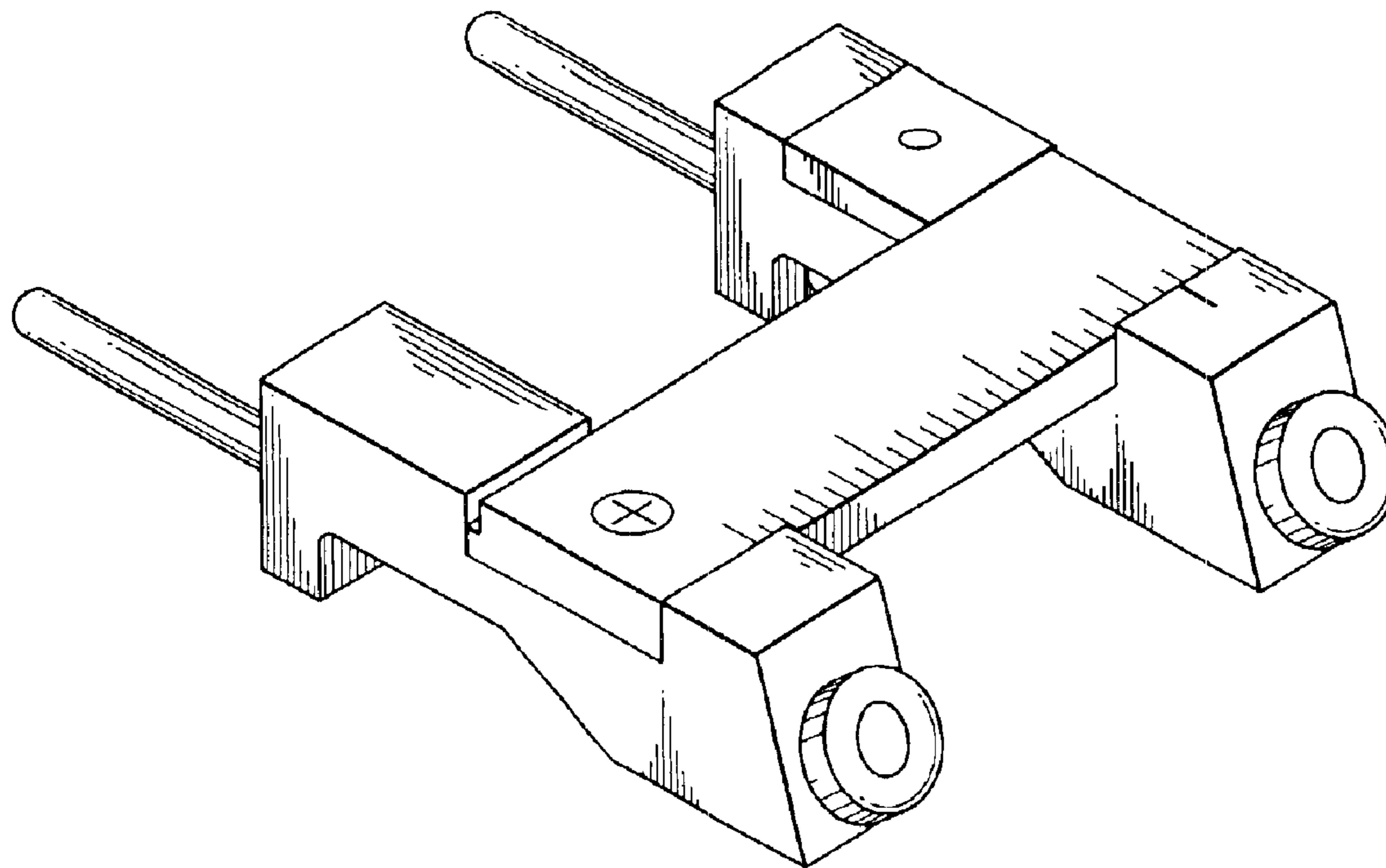
FIG. 5 is a side view of the pocket hole jig in FIG. 1.

FIG. 6 is a side view opposite to that of the side view in FIG. 5.

FIG. 7 is a front view of the pocket hole jig in FIG. 1; and, FIG. 8 is a rear view of the pocket hole jig in FIG. 1.

FIGS. 3, 4, 7 and 8 are shown in a different condition of use.

1 Claim, 4 Drawing Sheets



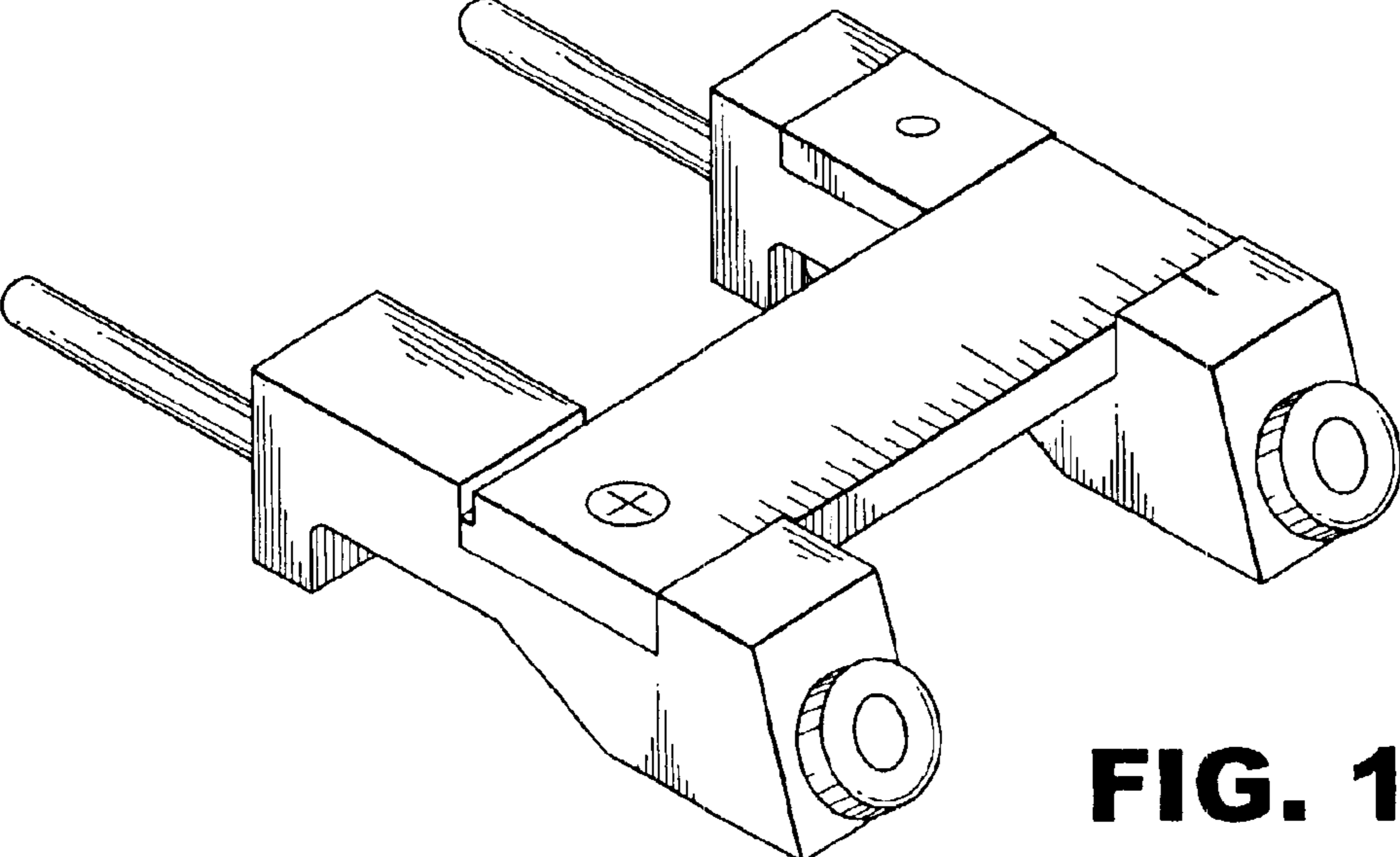


FIG. 1

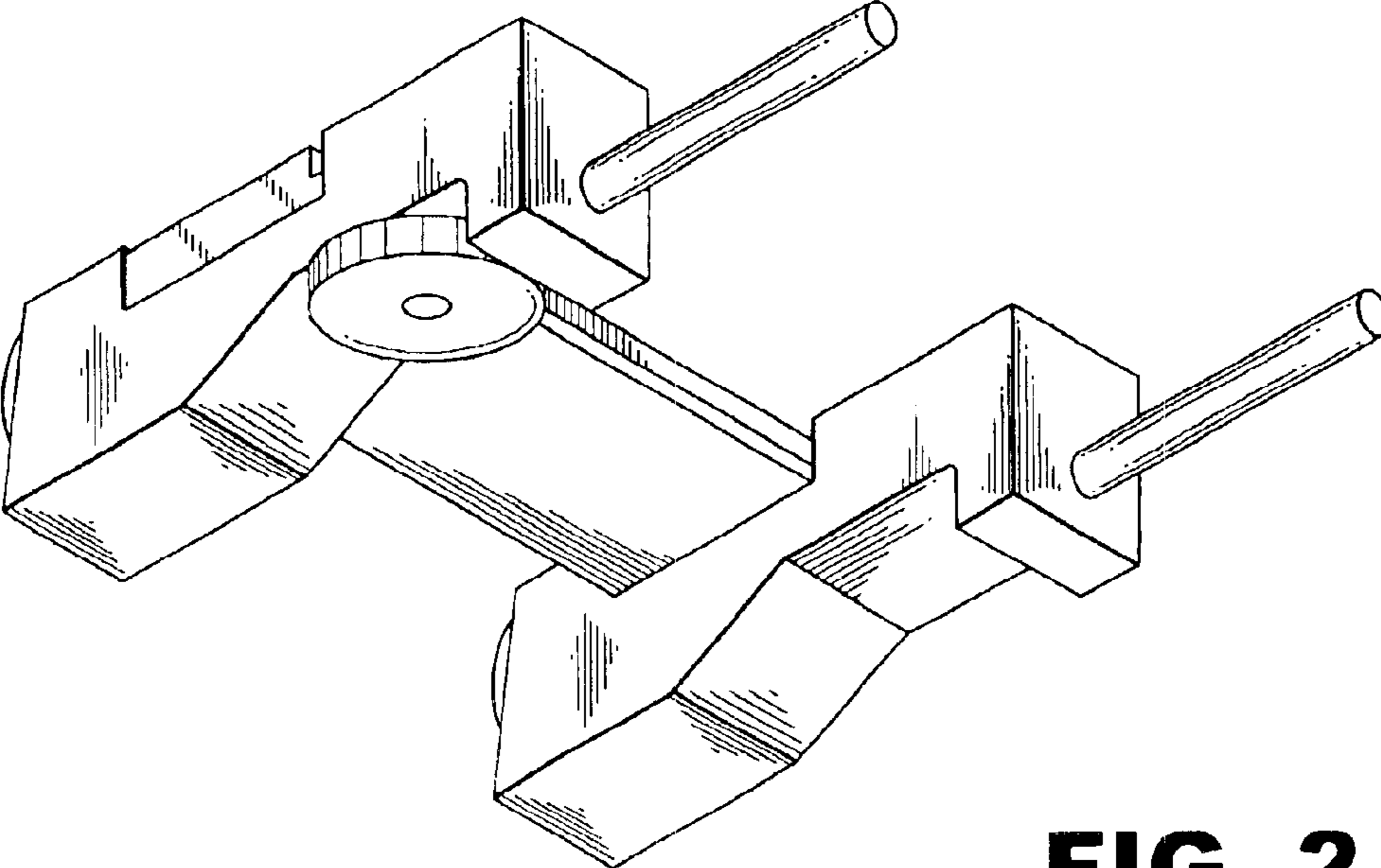


FIG. 2

FIG. 3

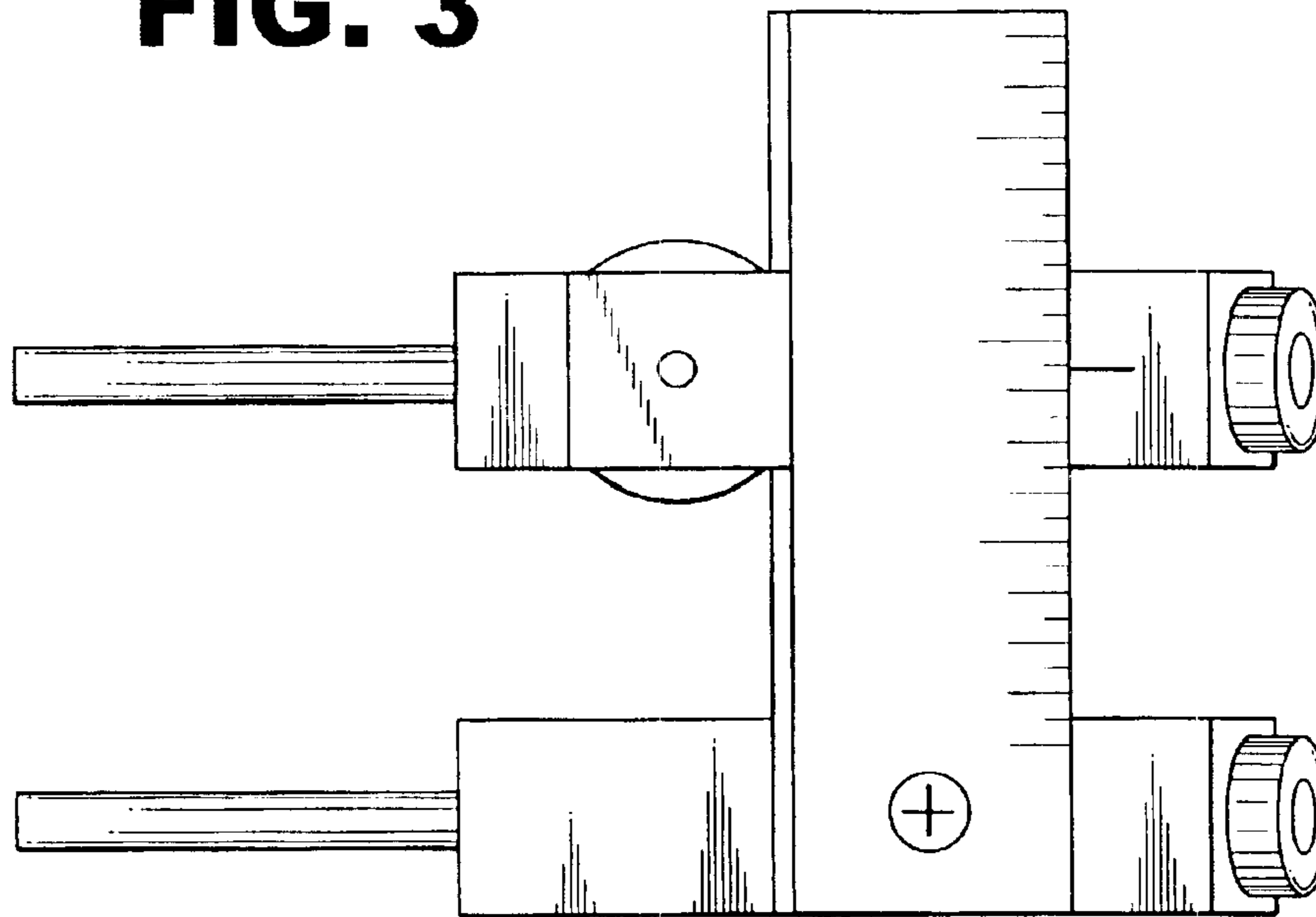


FIG. 4

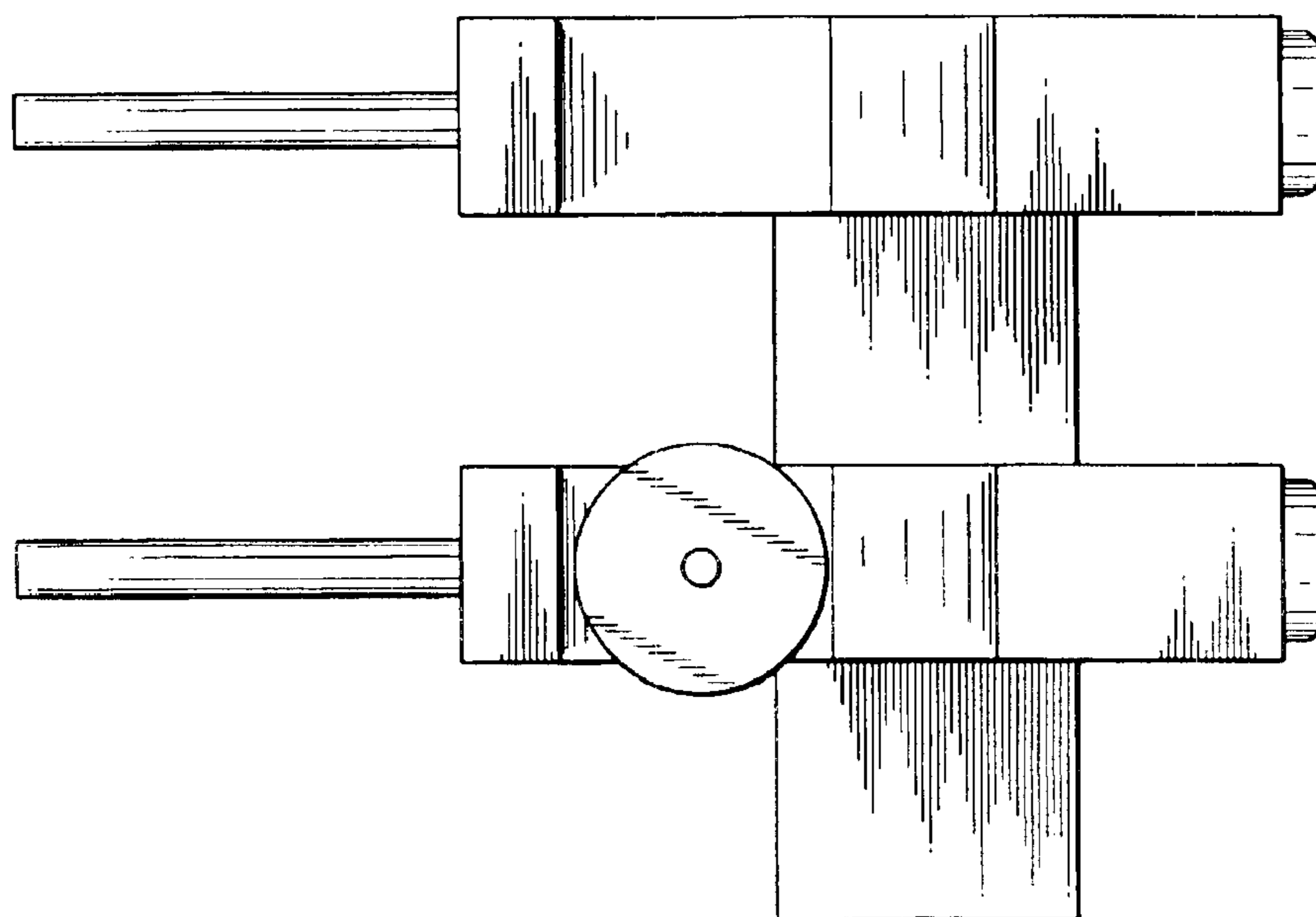


FIG. 5

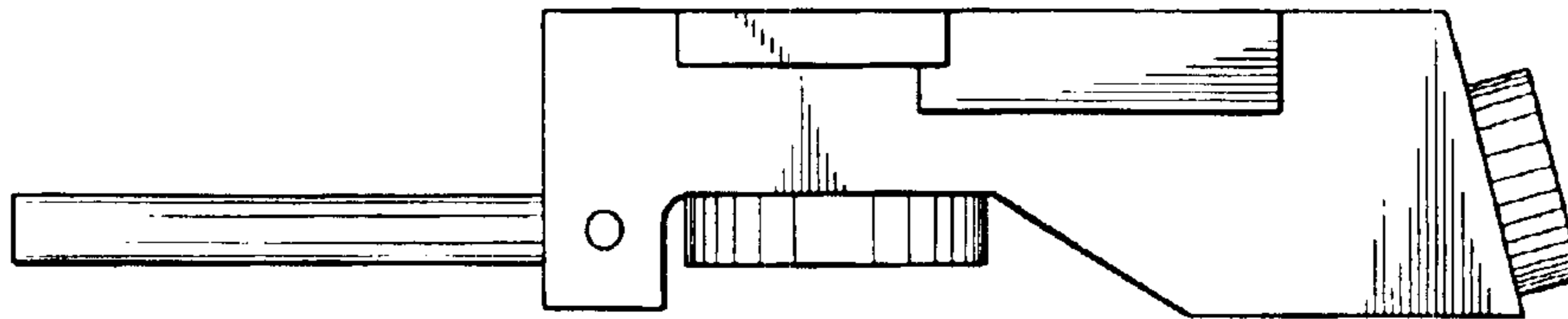
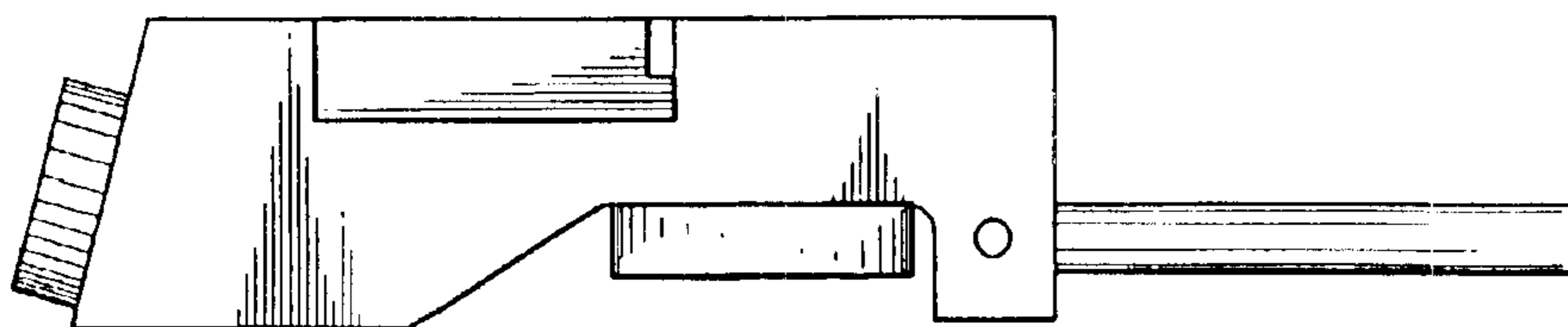


FIG. 6



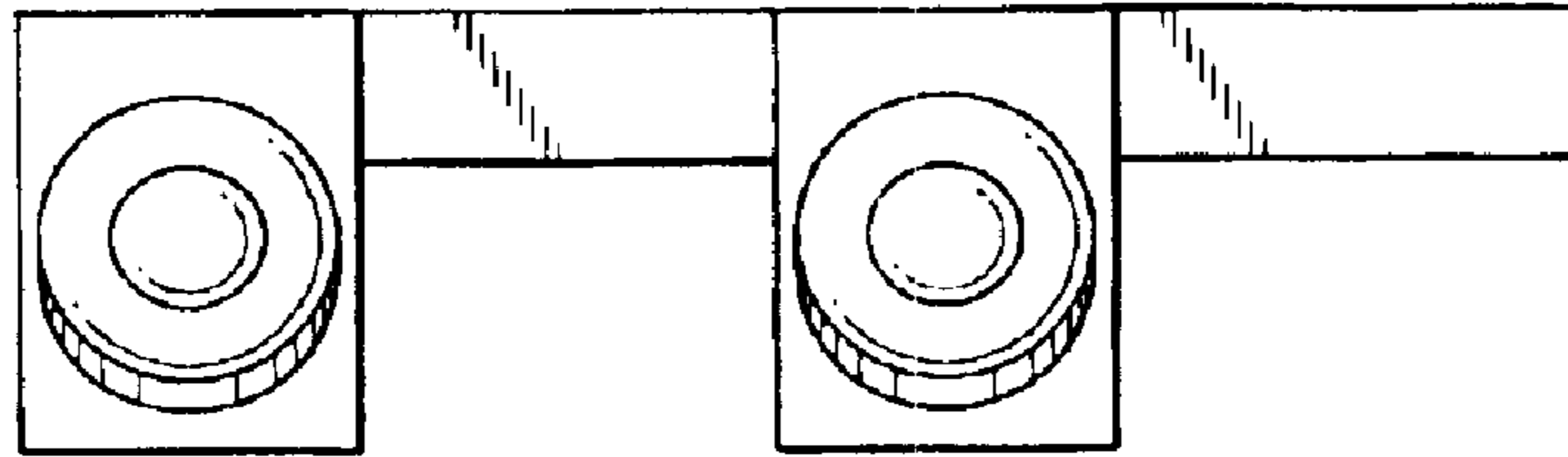


FIG. 7

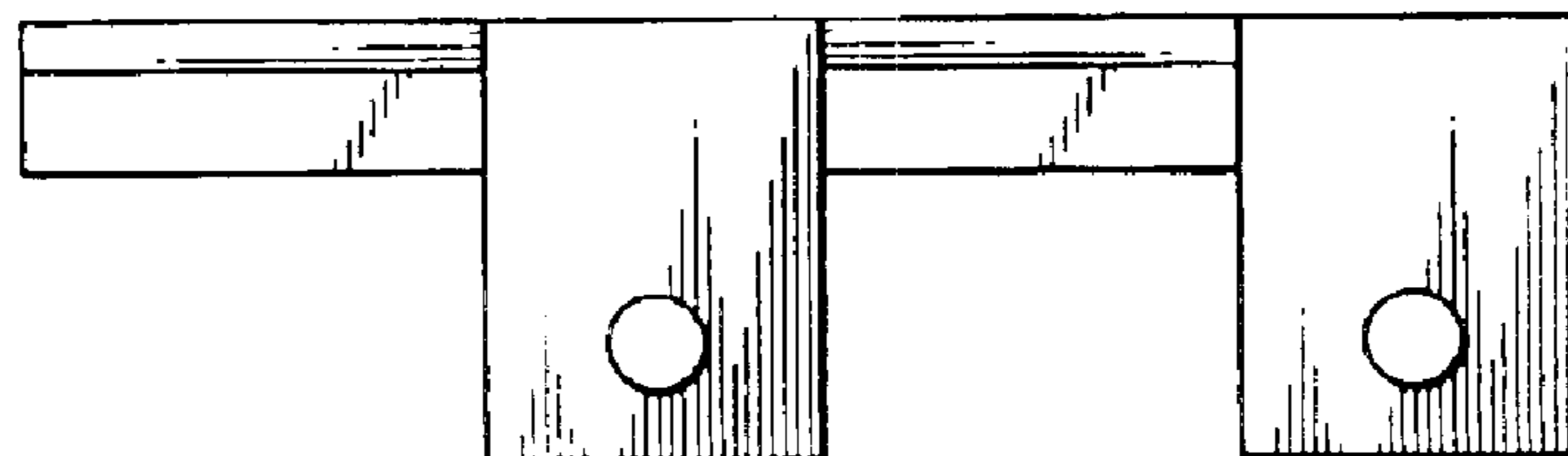


FIG. 8