

US00D503413S

(12) **United States Design Patent**  
**Diaz**

(10) **Patent No.: US D503,413 S**  
(45) **Date of Patent: \*\* Mar. 29, 2005**

(54) **PORTABLE RAPID SORPTION FREEZER**

(76) Inventor: **Orlando Diaz**, 3526 NW. 16 Ter.,  
Miami, FL (US) 33125

(\*\*) Term: **14 Years**

(21) Appl. No.: **29/193,926**

(22) Filed: **Nov. 14, 2003**

(51) **LOC (7) Cl. .... 15-07**

(52) **U.S. Cl. .... D15/83**

(58) **Field of Search ..... D15/79-91; 62/340-342,**  
62/371, 372, 457.5, 297, 457.7, 236, 228.1,  
331; D7/605-608

5,259,215 A \* 11/1993 Rocca ..... 62/371  
D353,304 S \* 12/1994 Friedrich ..... D7/605  
D368,484 S 4/1996 Bone  
5,566,856 A 10/1996 Fallen et al.  
D421,552 S \* 3/2000 Frehse ..... D7/605  
D429,606 S \* 8/2000 Israel et al. .... D7/605  
6,276,159 B1 8/2001 Pfister et al.  
6,278,098 B1 8/2001 Han et al.  
D454,892 S \* 3/2002 Black et al. .... D15/83

\* cited by examiner

*Primary Examiner*—Mitchell Siegel

(57) **CLAIM**

The ornamental design for a portable rapid sorption freezer,  
as shown and described.

(56) **References Cited**

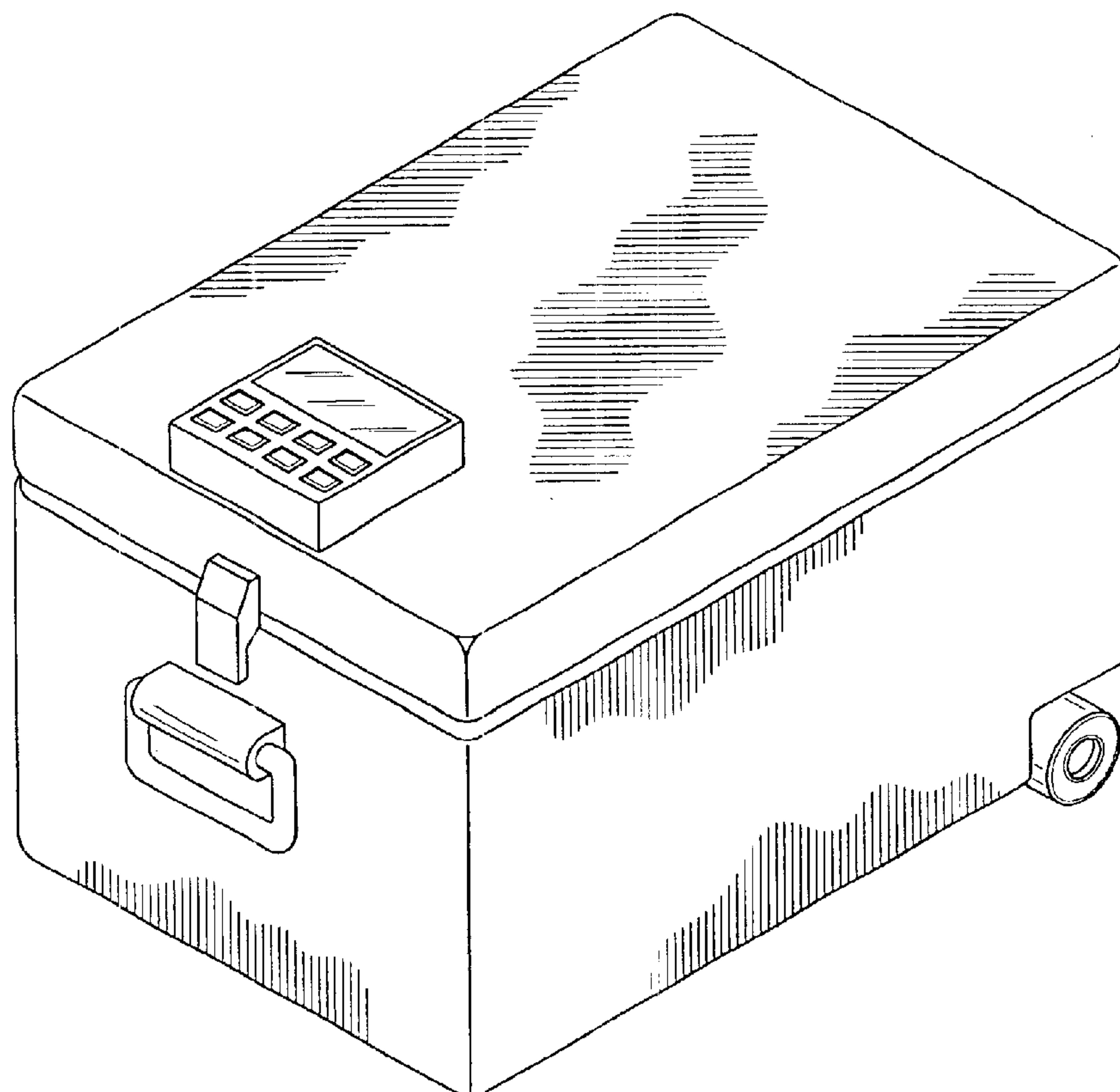
**U.S. PATENT DOCUMENTS**

D136,305 S \* 9/1943 Teeter ..... D15/83  
2,522,623 A \* 9/1950 Kas et al. .... 62/297  
D256,587 S \* 8/1980 Tatsumi ..... D15/83  
D285,692 S \* 9/1986 Albiez ..... D15/81  
4,866,572 A 9/1989 Blodgett  
4,880,954 A 11/1989 Bennett et al.  
D320,606 S 10/1991 Fritsch  
D328,689 S \* 8/1992 Riskowski ..... D7/605  
5,161,389 A 11/1992 Rockenfeller et al.

**DESCRIPTION**

FIG. 1 is a front elevational view of a portable rapid sorption  
freezer showing my new design, the rear elevational view  
being a mirror image thereof;  
FIG. 2 is a side view, taken from the left side of FIG. 1;  
FIG. 3 is a side view, taken from the right side of FIG. 1;  
FIG. 4 is a top plan view thereof;  
FIG. 5 is a bottom plan view thereof; and,  
FIG. 6 is a perspective view thereof.

**1 Claim, 4 Drawing Sheets**



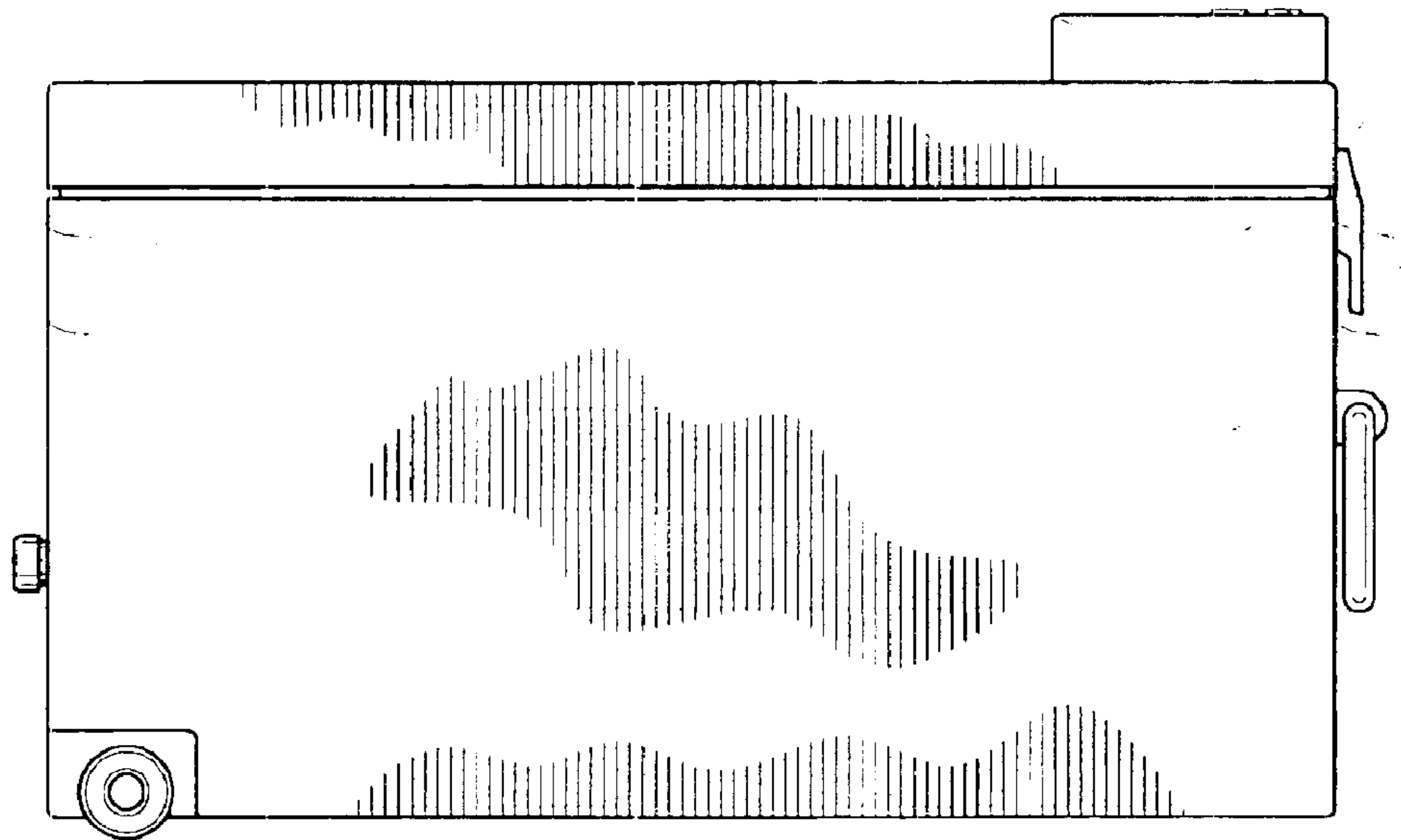


FIG. 1

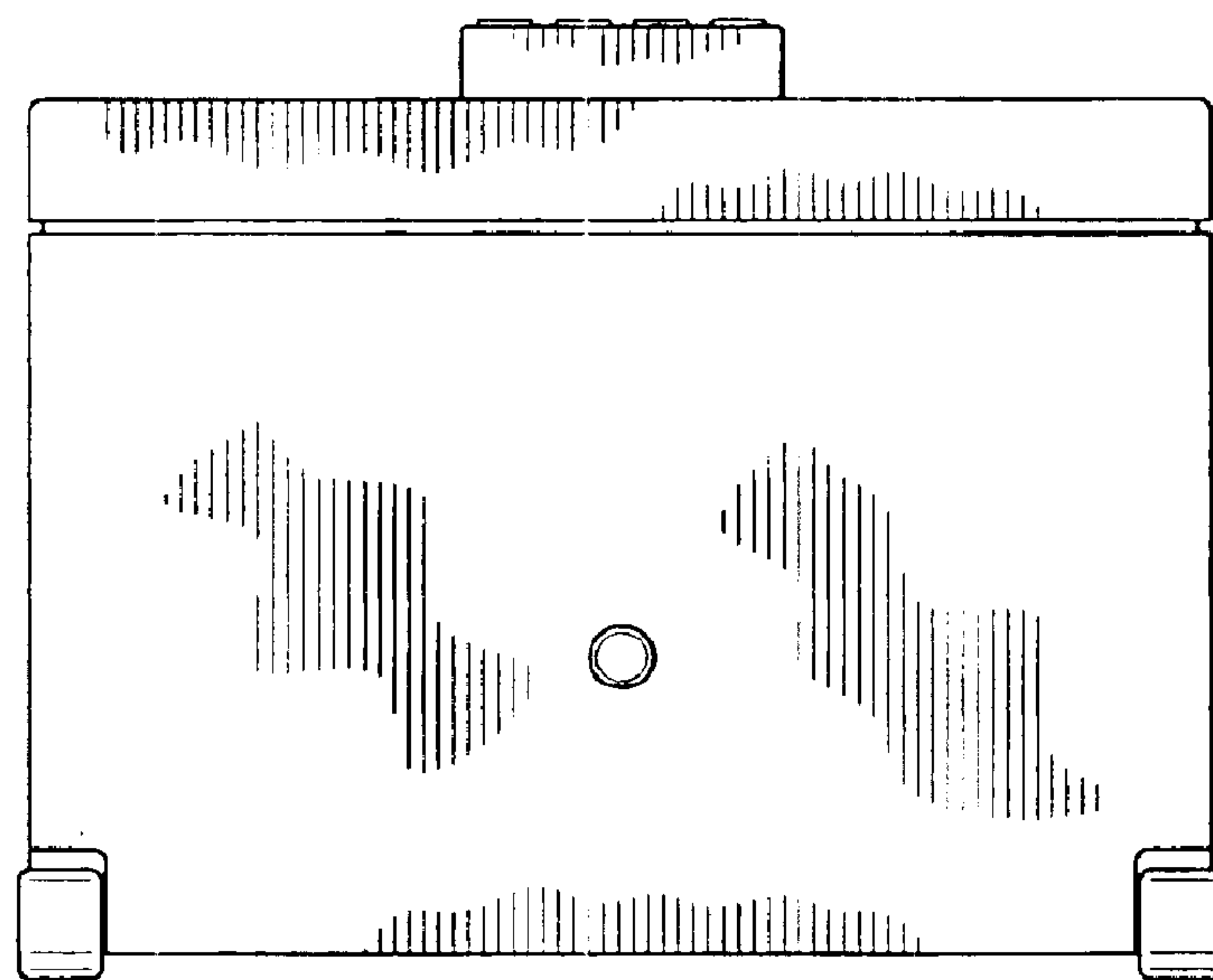


FIG. 2

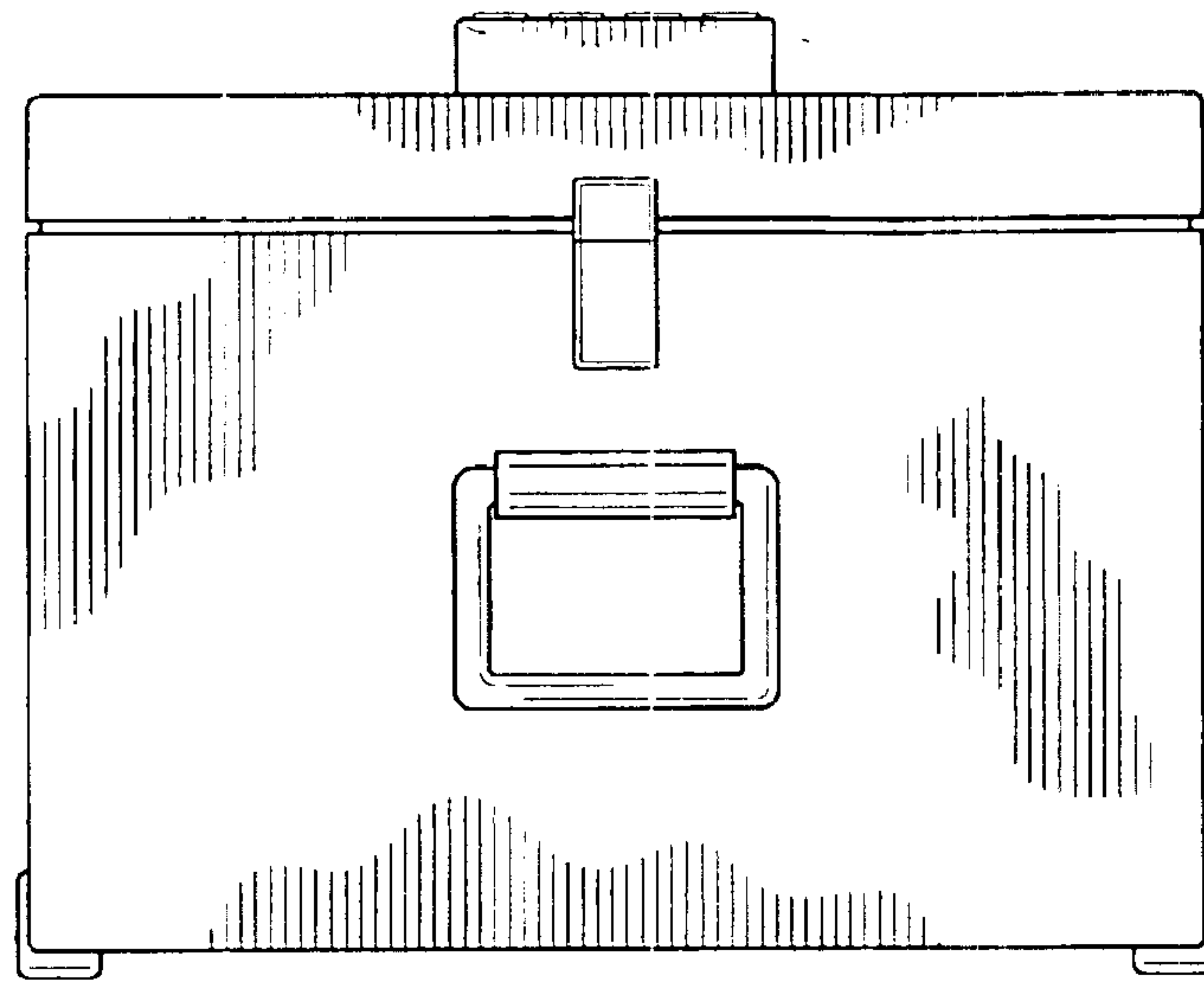


FIG. 3

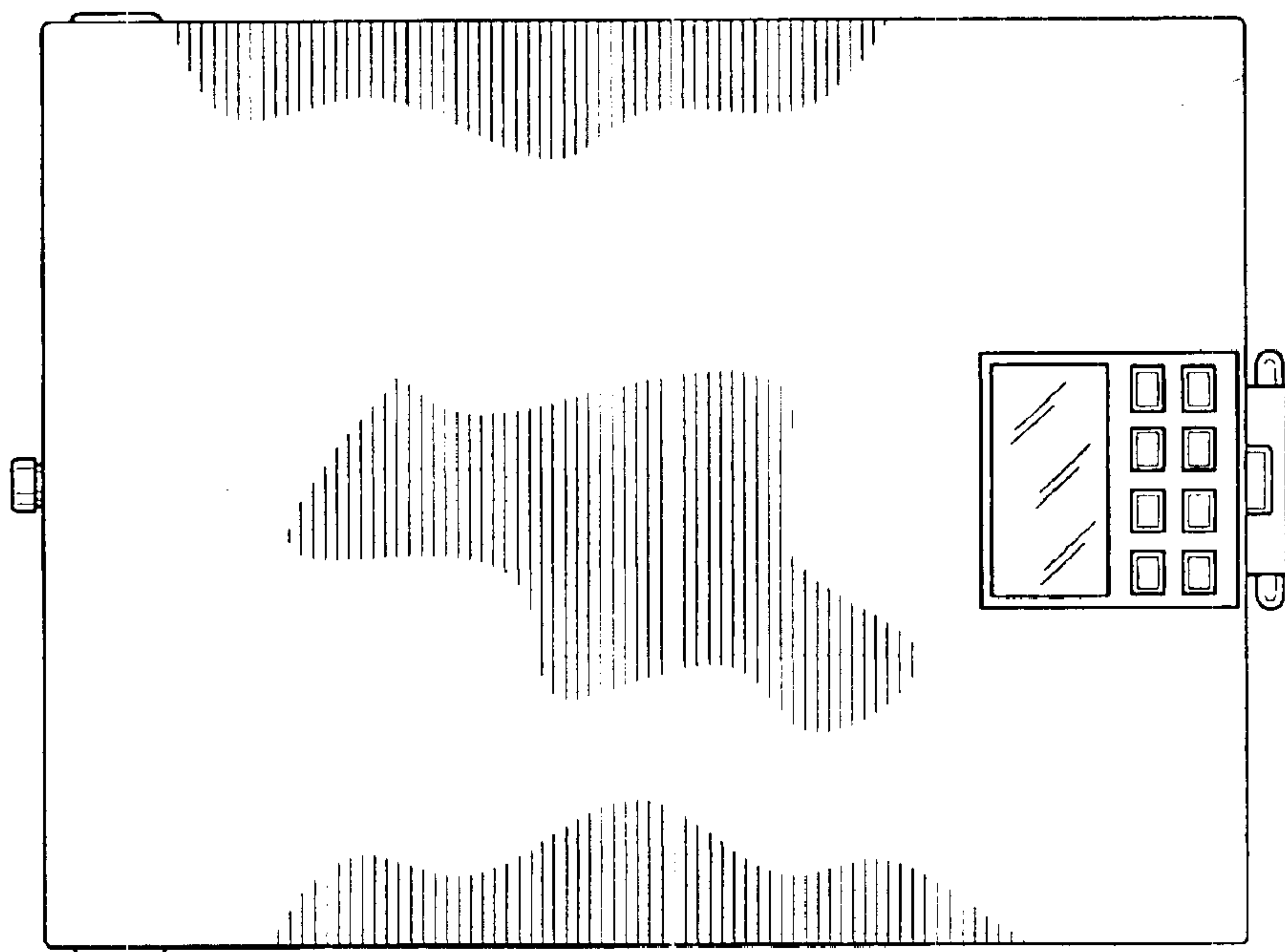


FIG. 4

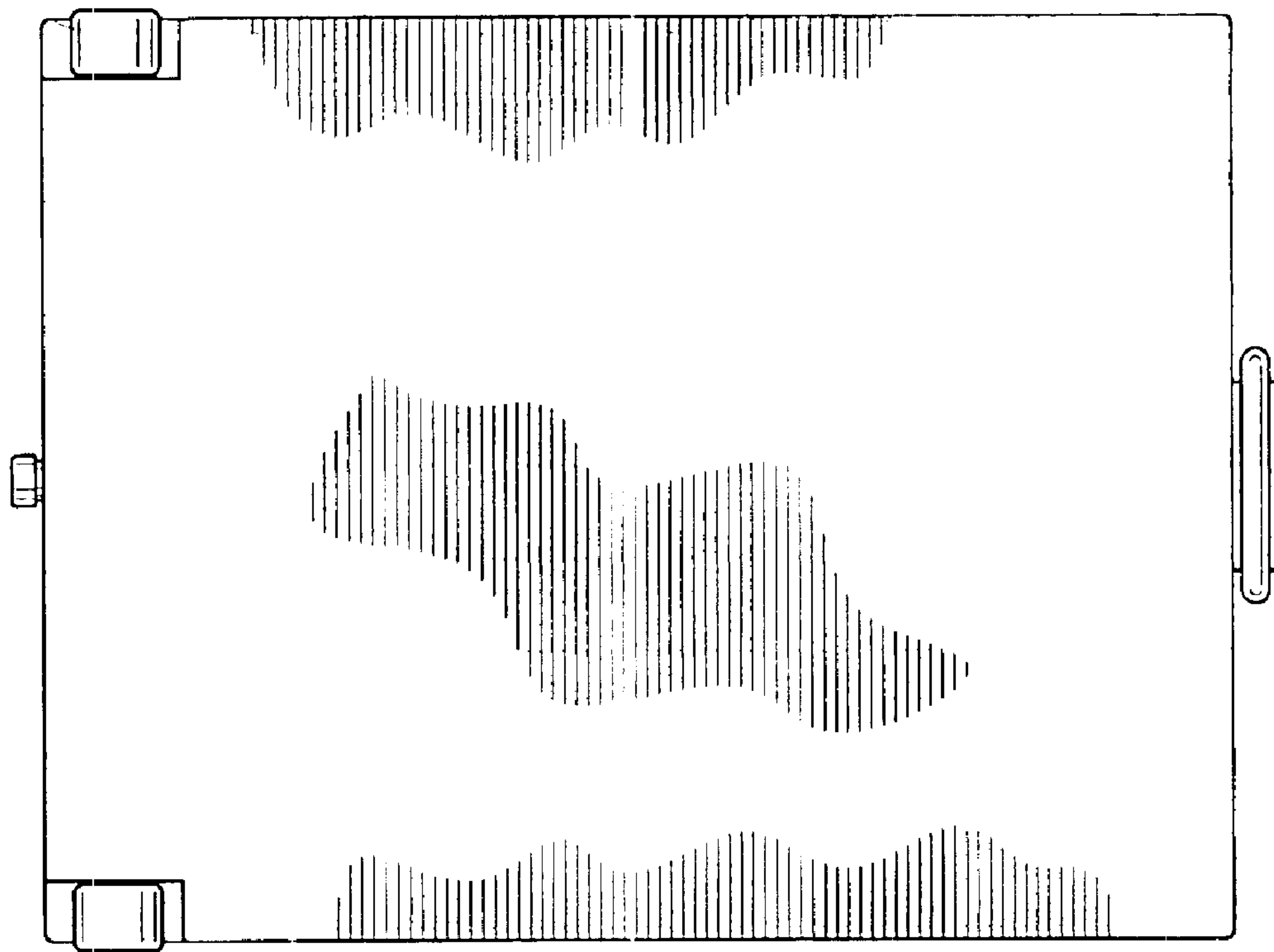


FIG.5

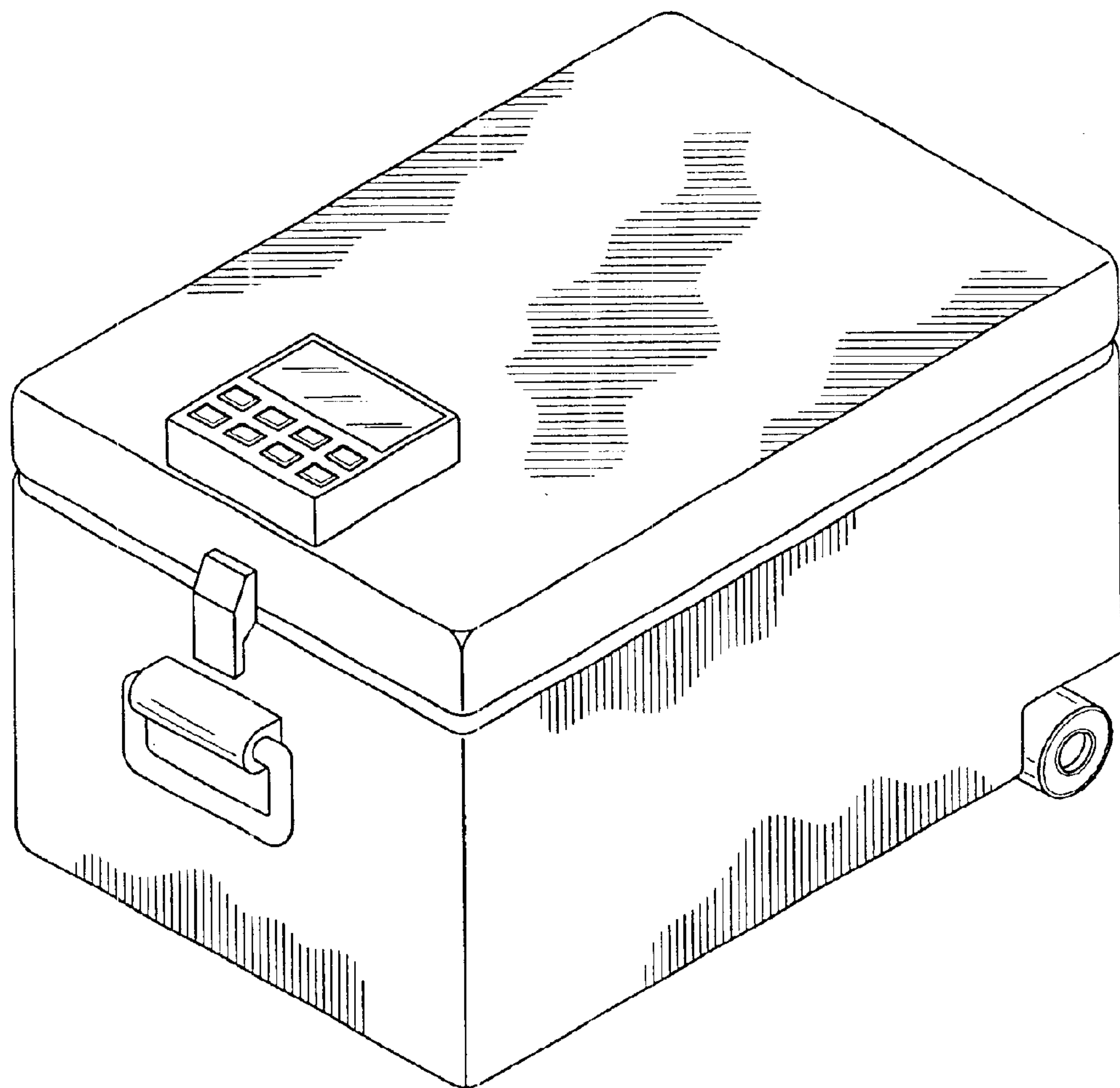


FIG.6