

US00D503412S

(12) **United States Design Patent**
Suwa et al.

(10) **Patent No.:** **US D503,412 S**
(45) **Date of Patent:** **** Mar. 29, 2005**

(54) **EMBROIDERY MACHINE**

(75) Inventors: **Kazumi Suwa**, Toyoake (JP); **Kazuo Itho**, Aichi-gun (JP)

(73) Assignee: **Brother Industries, Limited**, Nagoya (JP)

(**) Term: **14 Years**

(21) Appl. No.: **29/187,211**

(22) Filed: **Jul. 30, 2003**

(30) **Foreign Application Priority Data**

Feb. 7, 2003 (JP) 2003-002897

(51) **LOC (7) Cl.** **15-06**

(52) **U.S. Cl.** **D15/78**

(58) **Field of Search** D15/66, 69, 78;
112/217.1-217.4, 255-261, 321.13, 121.31,
80.4, 80.54, 475.07, 152, 235, 80.52, 102.5,
103, 80.6, 80.55, 80.56

(56) **References Cited**

U.S. PATENT DOCUMENTS

4,207,828 A * 6/1980 Horowitz et al. 114/125
D293,323 S * 12/1987 Slattery et al. D15/78

6,289,831 B1 * 9/2001 Hanai et al. 112/102.5
6,463,867 B2 * 10/2002 Kato 112/103
D465,793 S * 11/2002 Takada et al. D15/69
D466,136 S * 11/2002 Lin D15/69
D474,785 S * 5/2003 Carter et al. D15/66

* cited by examiner

Primary Examiner—Mitchell Siegel

(74) *Attorney, Agent, or Firm*—Oliff & Berridge, PLLC

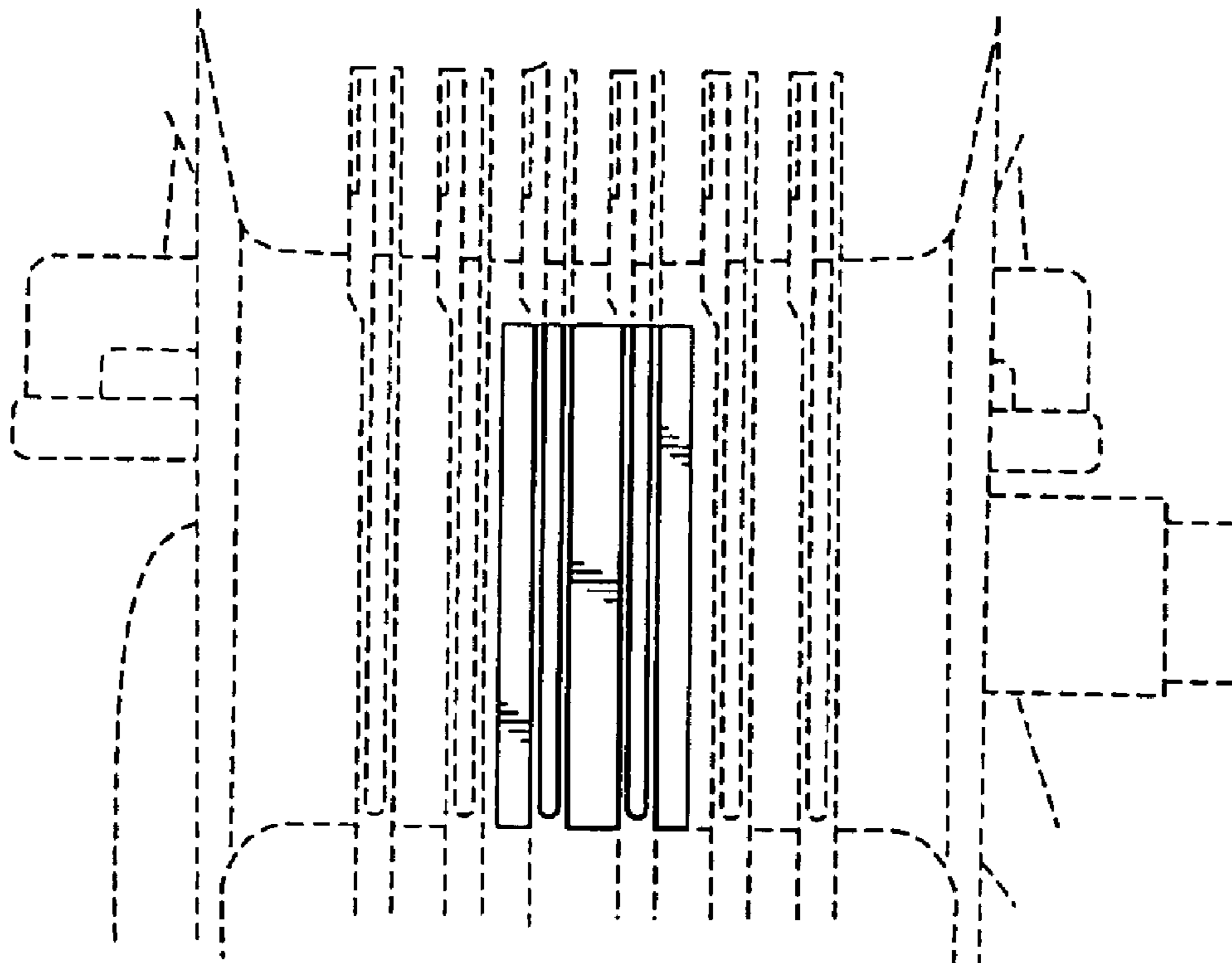
(57) **CLAIM**

The ornamental design for embroidery machine, as shown and described.

DESCRIPTION

FIG. 1 is a front view of an embroidery machine;
FIG. 2 is a right-side view thereof;
FIG. 3 is a left-side view thereof;
FIG. 4 is a bottom view thereof;
FIG. 5 is an enlarged perspective view of a portion of the embroidery machine of FIG. 1; and,
FIG. 6 is a an enlarged front view of FIG. 5.
The top and rear views contain no ornamentality and are omitted.
The broken lines are for illustrative purposes only and form no part of the claimed design.

1 Claim, 6 Drawing Sheets



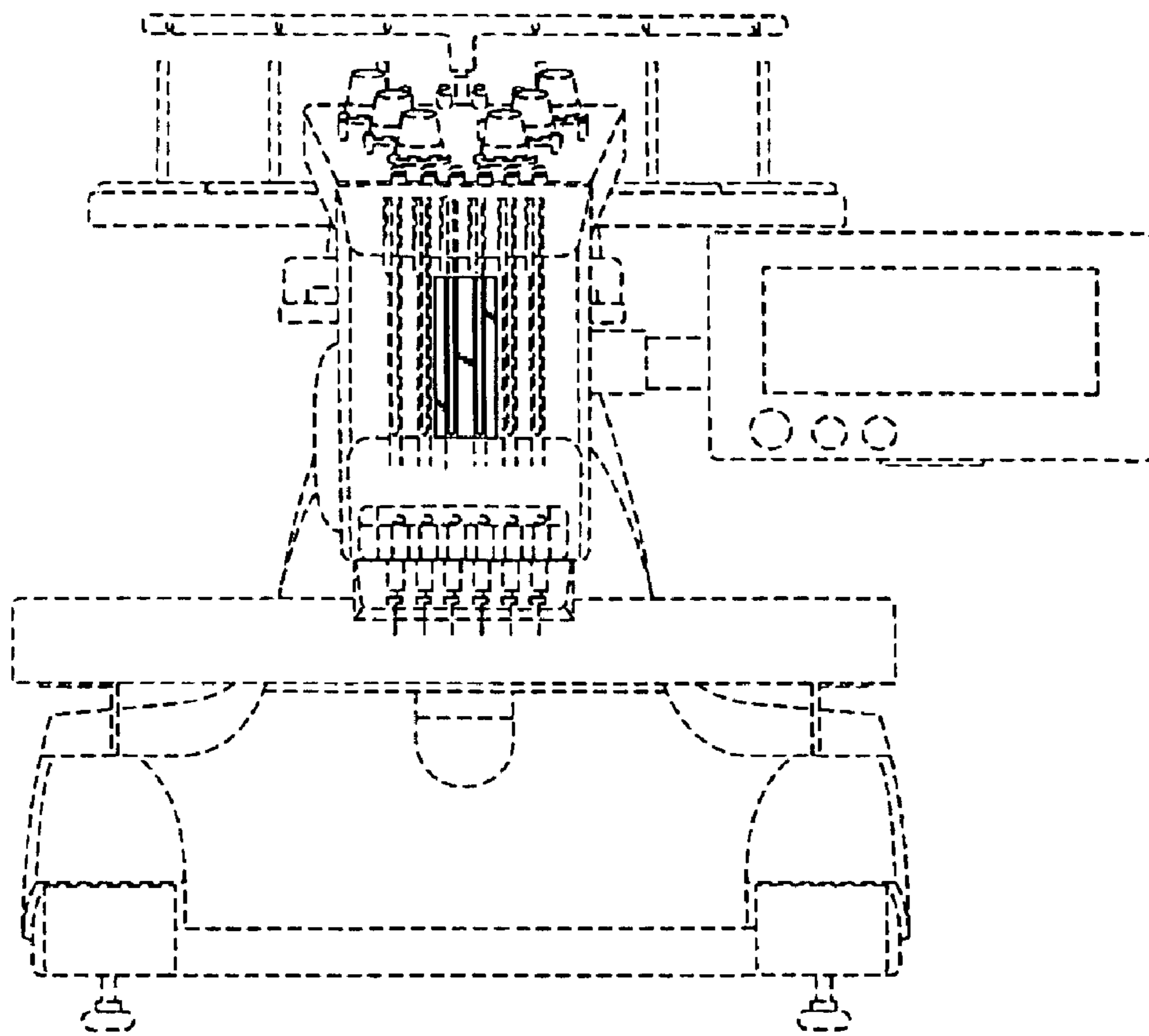


Fig. 1

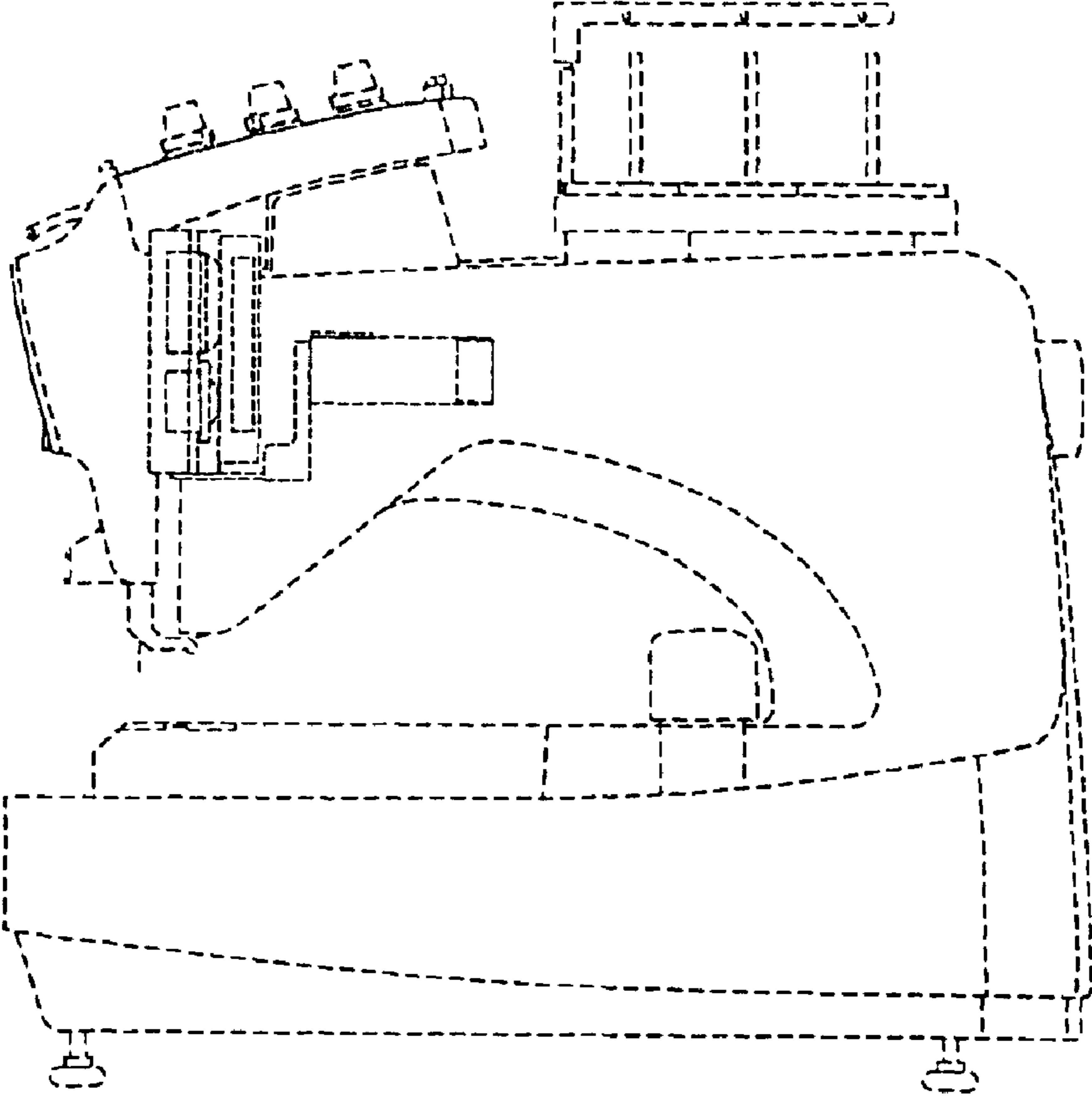


Fig. 2

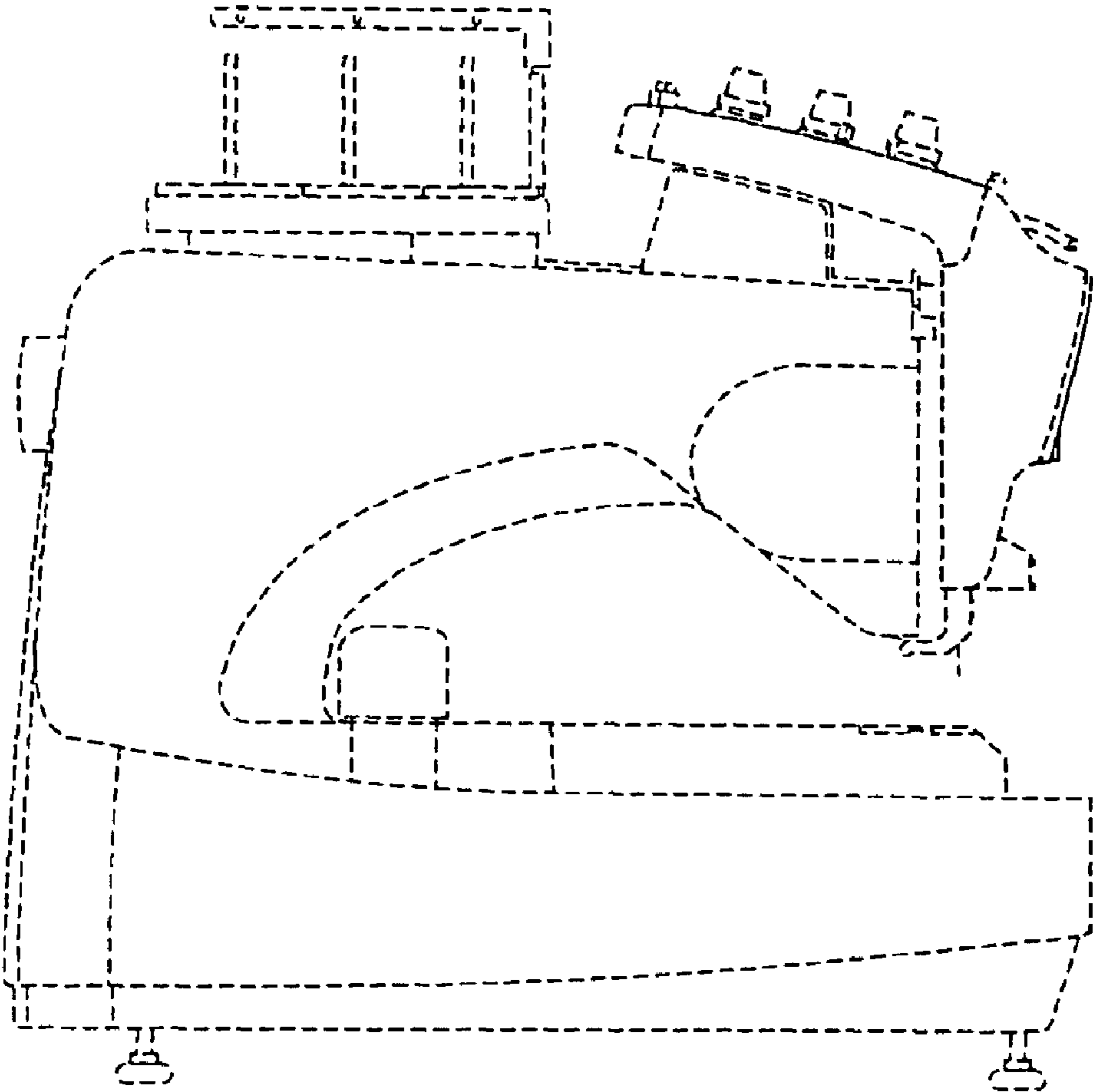


Fig. 3

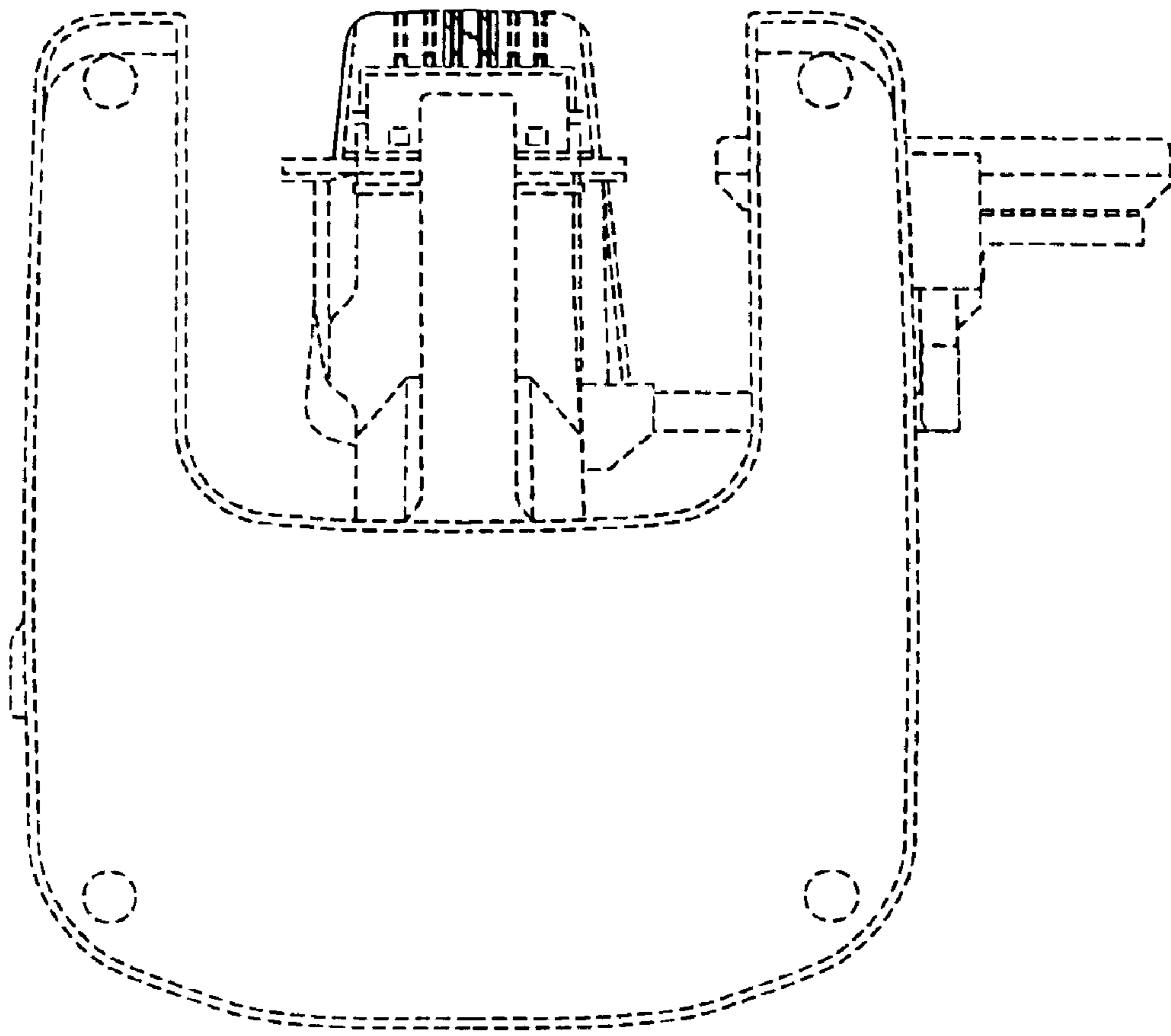


Fig. 4

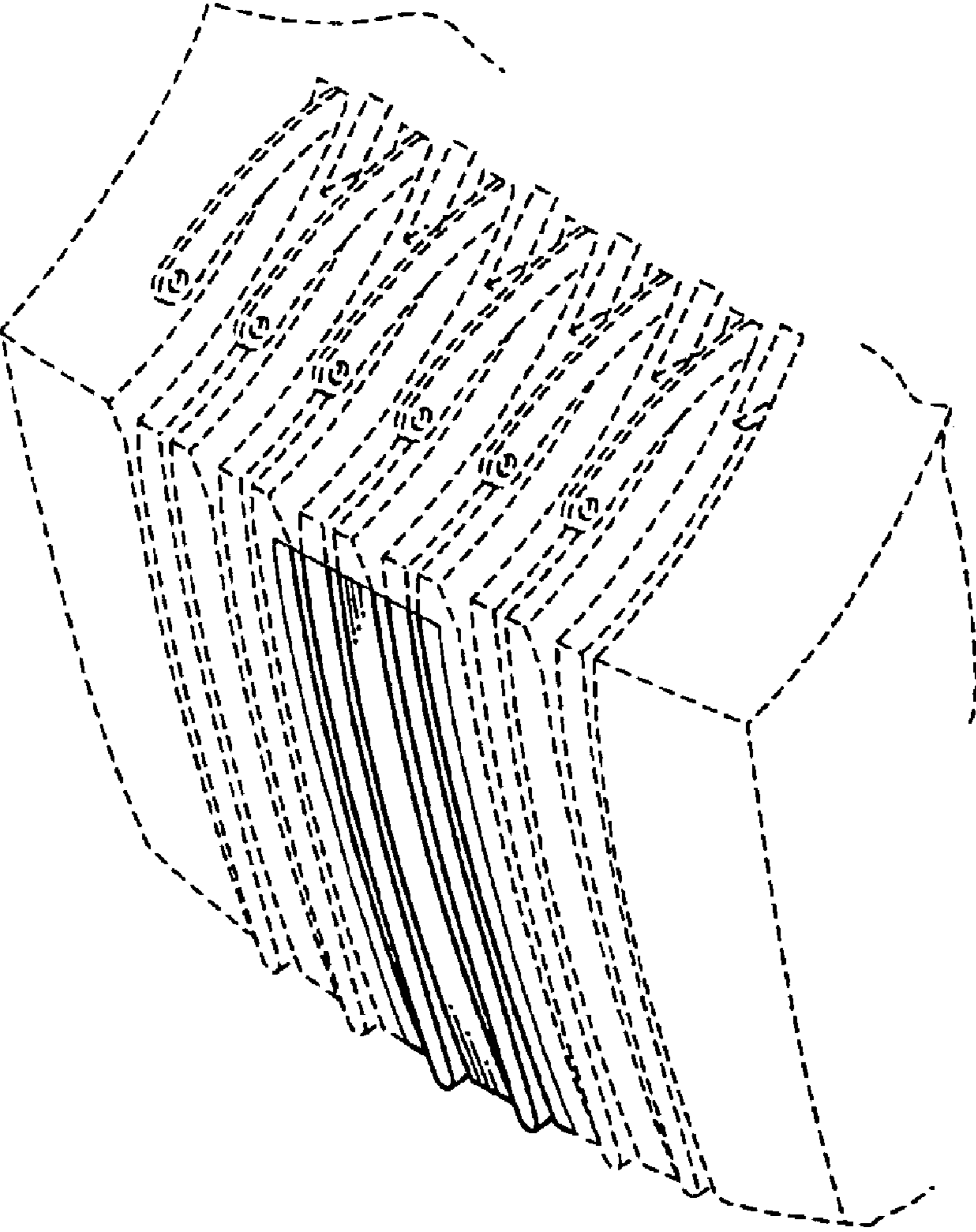


Fig. 5

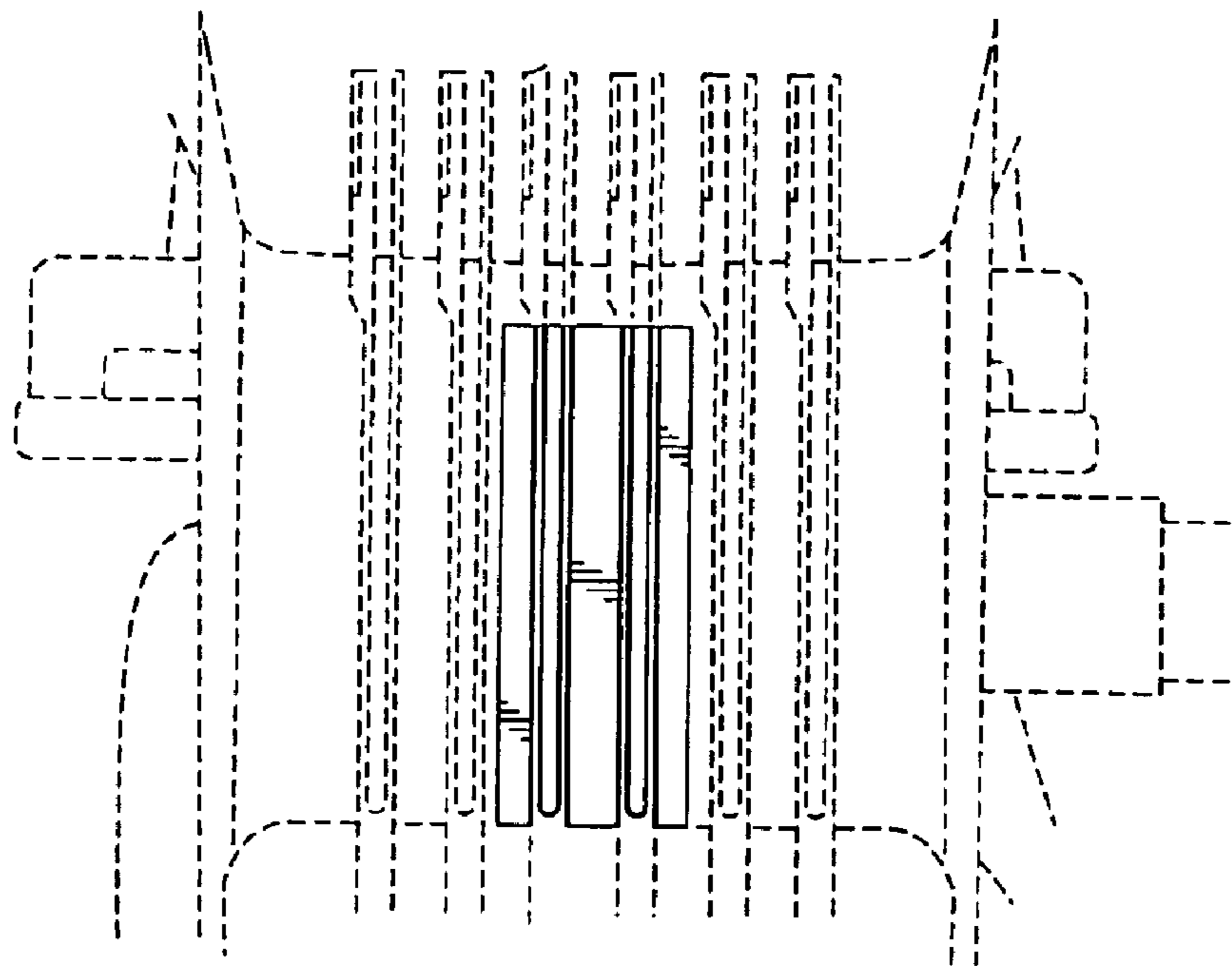


Fig. 6